

US00D495928S1

(12) **United States Design Patent** (10) **Patent No.:** **US D495,928 S**
Laib (45) **Date of Patent:** **** Sep. 14, 2004**

(54) **SERVING BOWL**

D472,430 S 4/2003 Scherer D7/570

(75) Inventor: **Douglas M. Laib**, Orlando, FL (US)

FOREIGN PATENT DOCUMENTS

(73) Assignee: **Dart Industries Inc.**, Orlando, FL (US)

GB 2081661 * 1/2000
GB 2096296 * 2/2001

(**) Term: **14 Years**

OTHER PUBLICATIONS

(21) Appl. No.: **29/192,770**

Tableware International, Feb. 2003, p. 49, crystal bowl at left bottom side of page.*

(22) Filed: **Oct. 29, 2003**

Tableware International, Feb. 2003, p. 119, ceramic bowl at right side of page, near center.*

(51) **LOC (7) Cl.** **07-01**

(52) **U.S. Cl.** **D7/554.3**

(58) **Field of Search** D7/360, 394, 584-587, D7/565, 571, 560, 545, 555.1, 554.1-554.4, 548; 220/223.83, 574; 211/74; 493/167; D9/431, 655-657; 229/106; D11/150-152

* cited by examiner

Primary Examiner—Charles A. Rademaker
(74) *Attorney, Agent, or Firm*—John A. Doninger

(56) **References Cited**

(57) **CLAIM**

The ornamental design for a serving bowl, as shown and described.

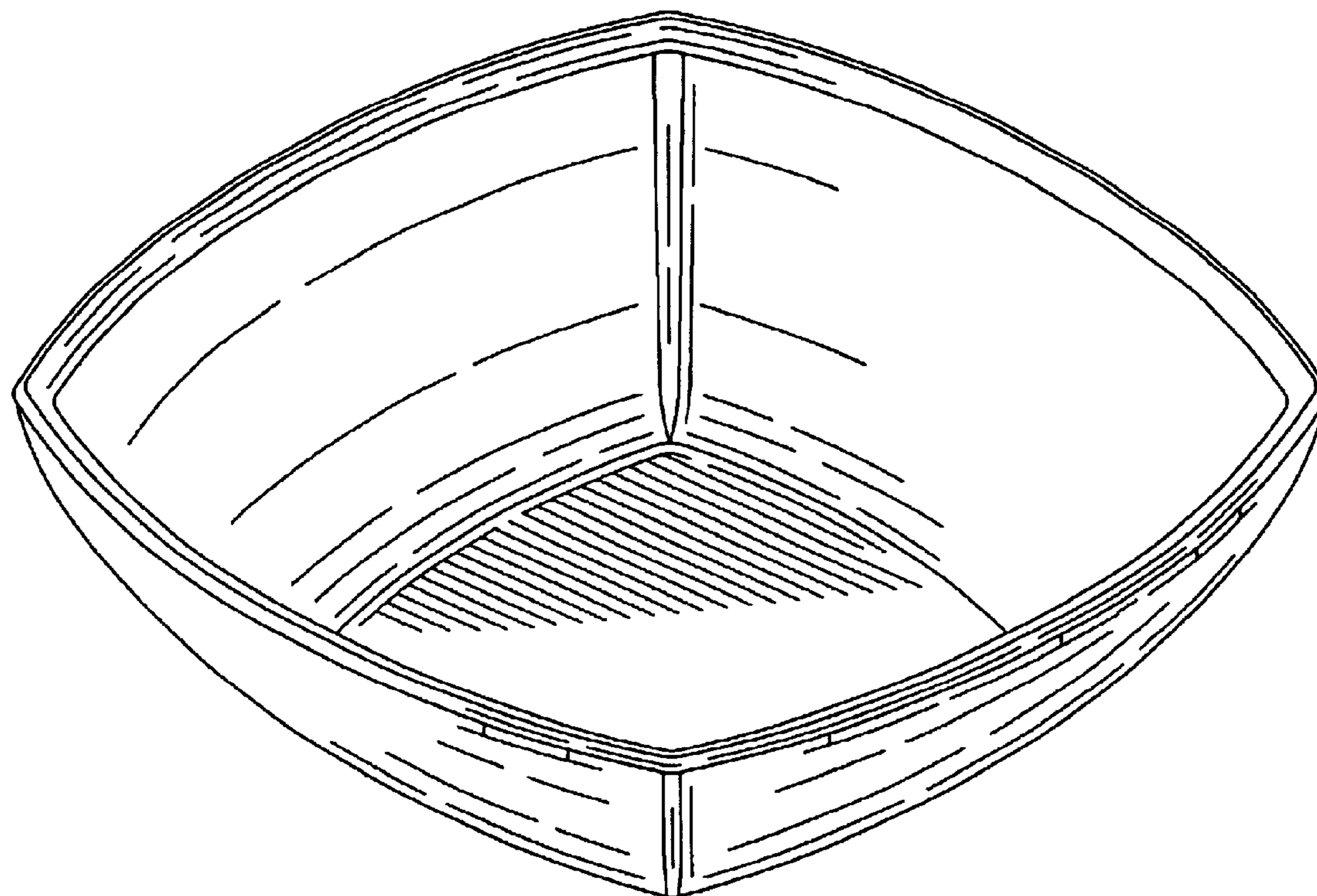
U.S. PATENT DOCUMENTS

DESCRIPTION

D214,333 S	6/1969	Swett	
D225,431 S	* 12/1972	Gulotta	D7/586
D289,843 S	* 5/1987	Ritman	D7/584
D374,155 S	10/1996	Feer et al.	
D402,852 S	12/1998	Benson	D7/545
D402,854 S	12/1998	Benson	D7/584
D408,322 S	* 4/1999	Yurk	D11/152
D408,323 S	* 4/1999	Yurk	D11/152
D443,471 S	6/2001	Lillelund et al.	D7/398
D469,313 S	1/2003	Thonis et al.	D7/602
D471,405 S	3/2003	Wellner	D7/543
D472,429 S	4/2003	Scherer	D7/570

FIG. 1 is a top, side and front perspective view of a serving bowl showing the new design;
FIG. 2 is a front elevation view thereof, the rear elevation view being identical thereto;
FIG. 3 is a left side elevation view thereof, the right side elevation view being identical thereto;
FIG. 4 is a top plan view thereof; and,
FIG. 5 is a bottom plan view thereof.

1 Claim, 3 Drawing Sheets



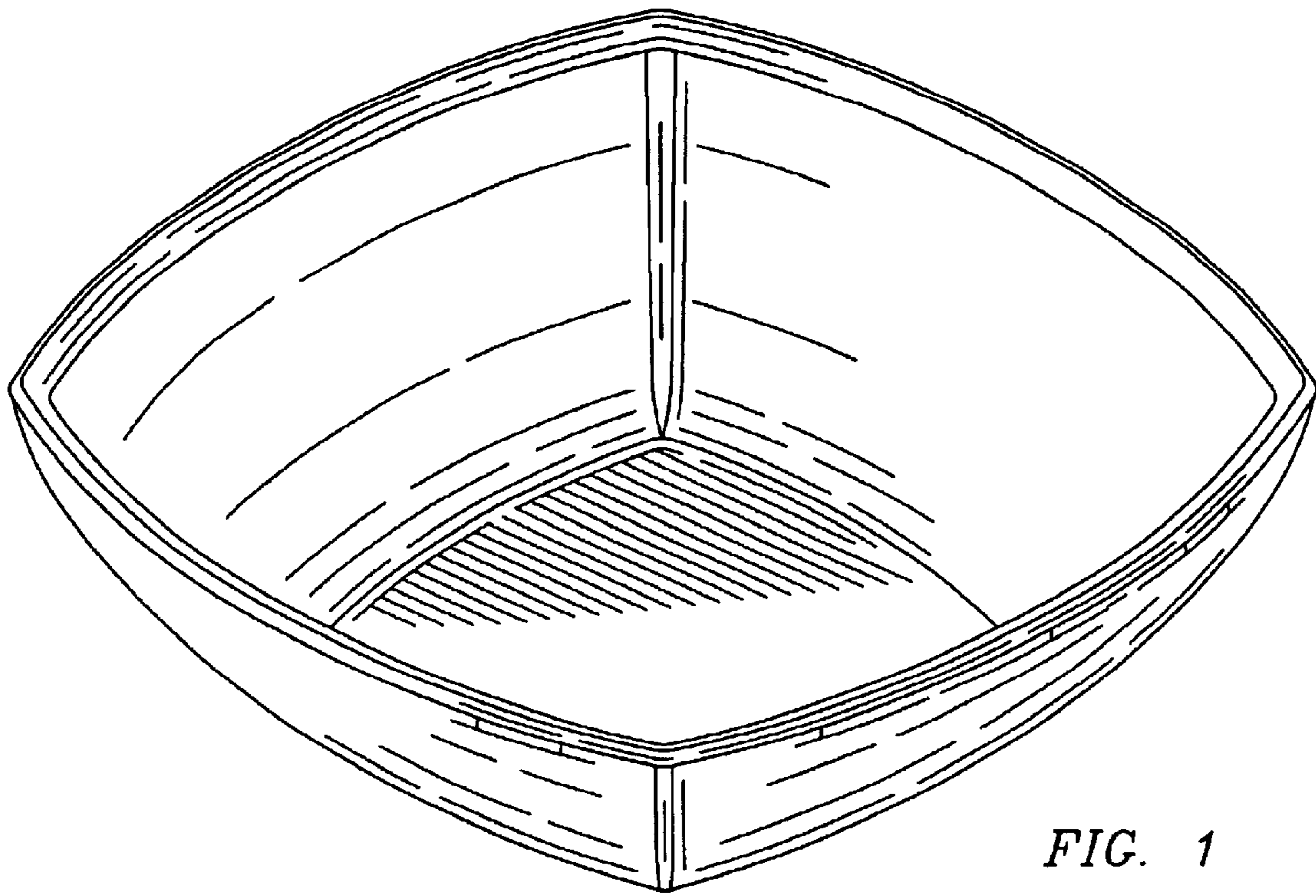


FIG. 1

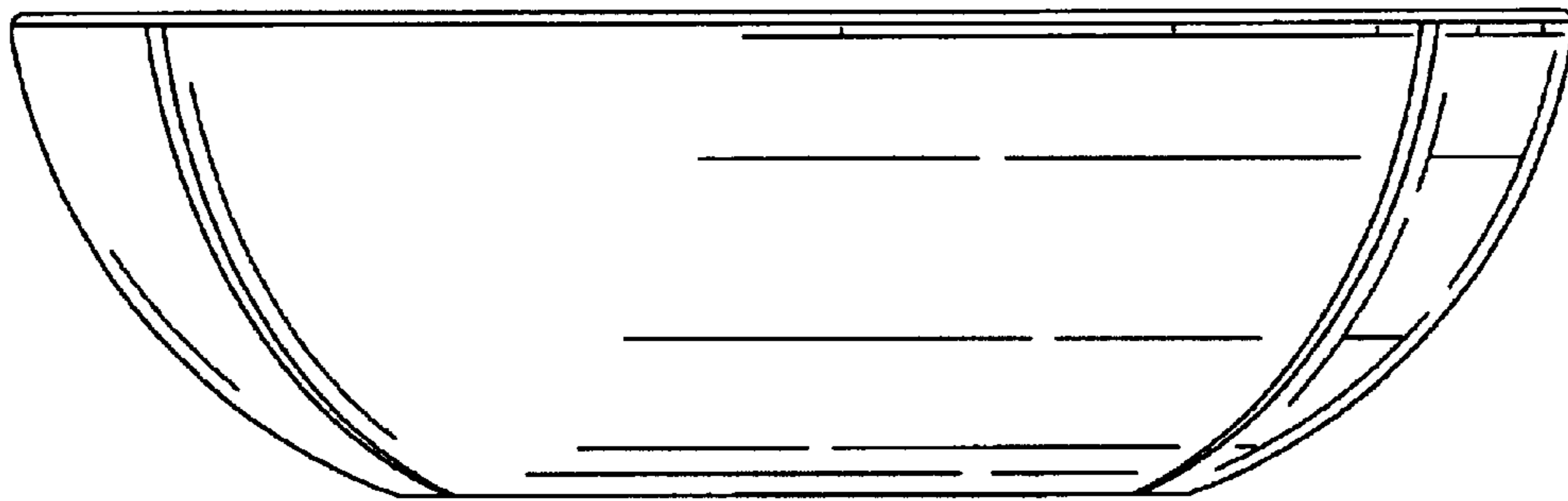


FIG. 2

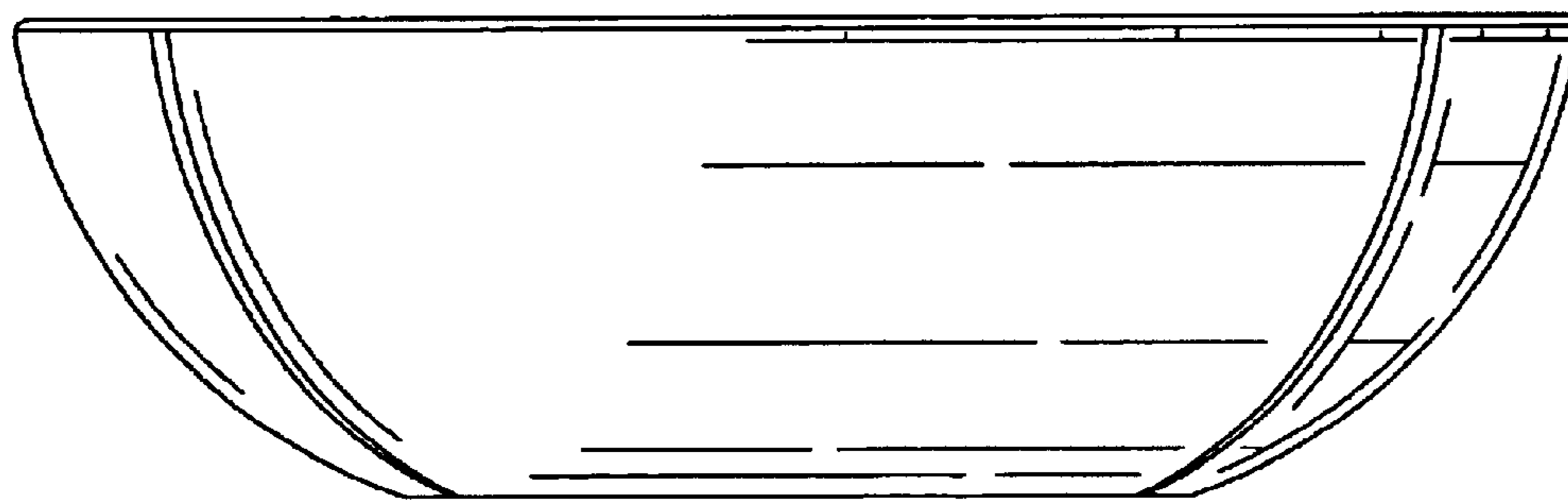


FIG. 3

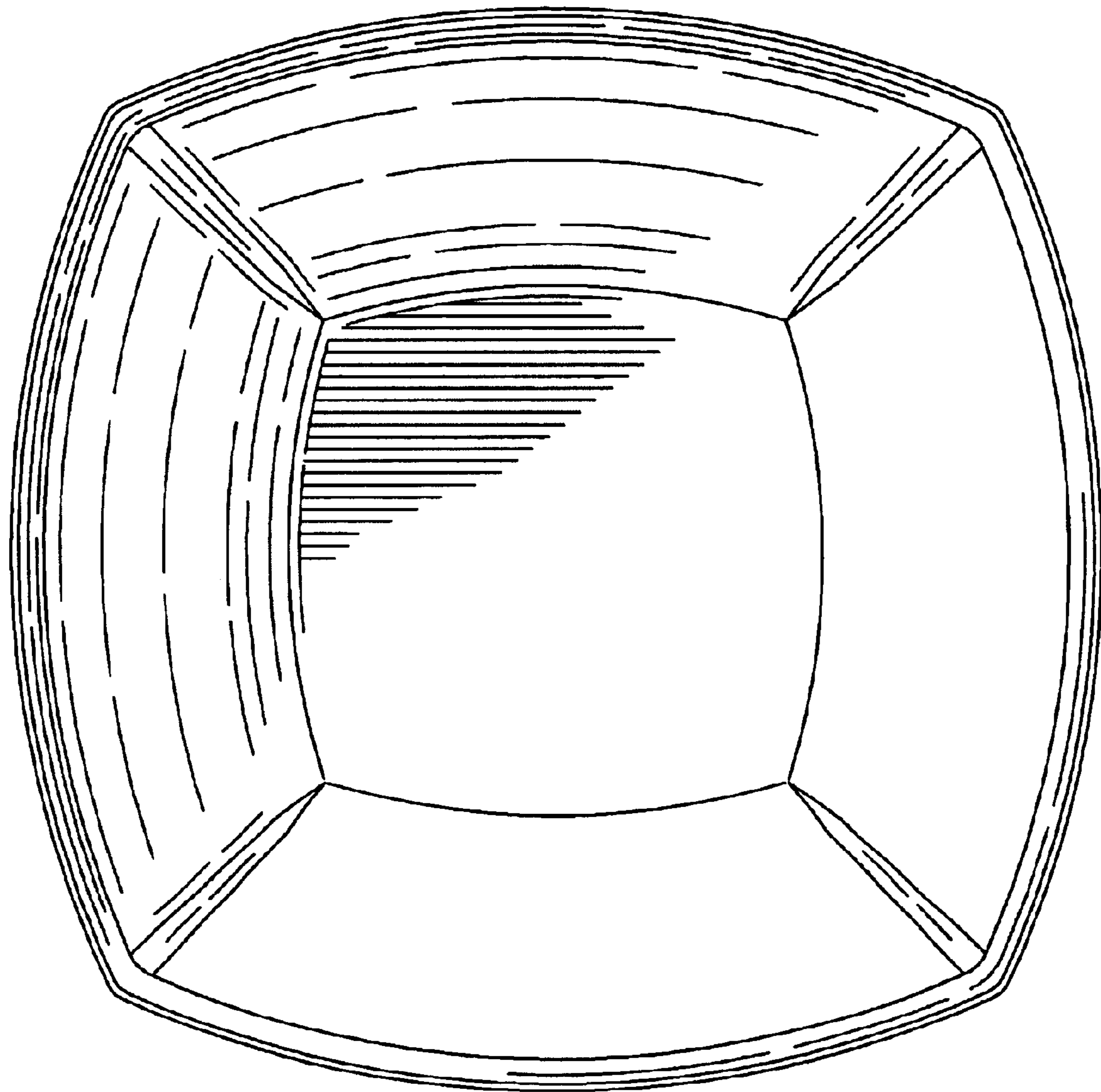


FIG. 4

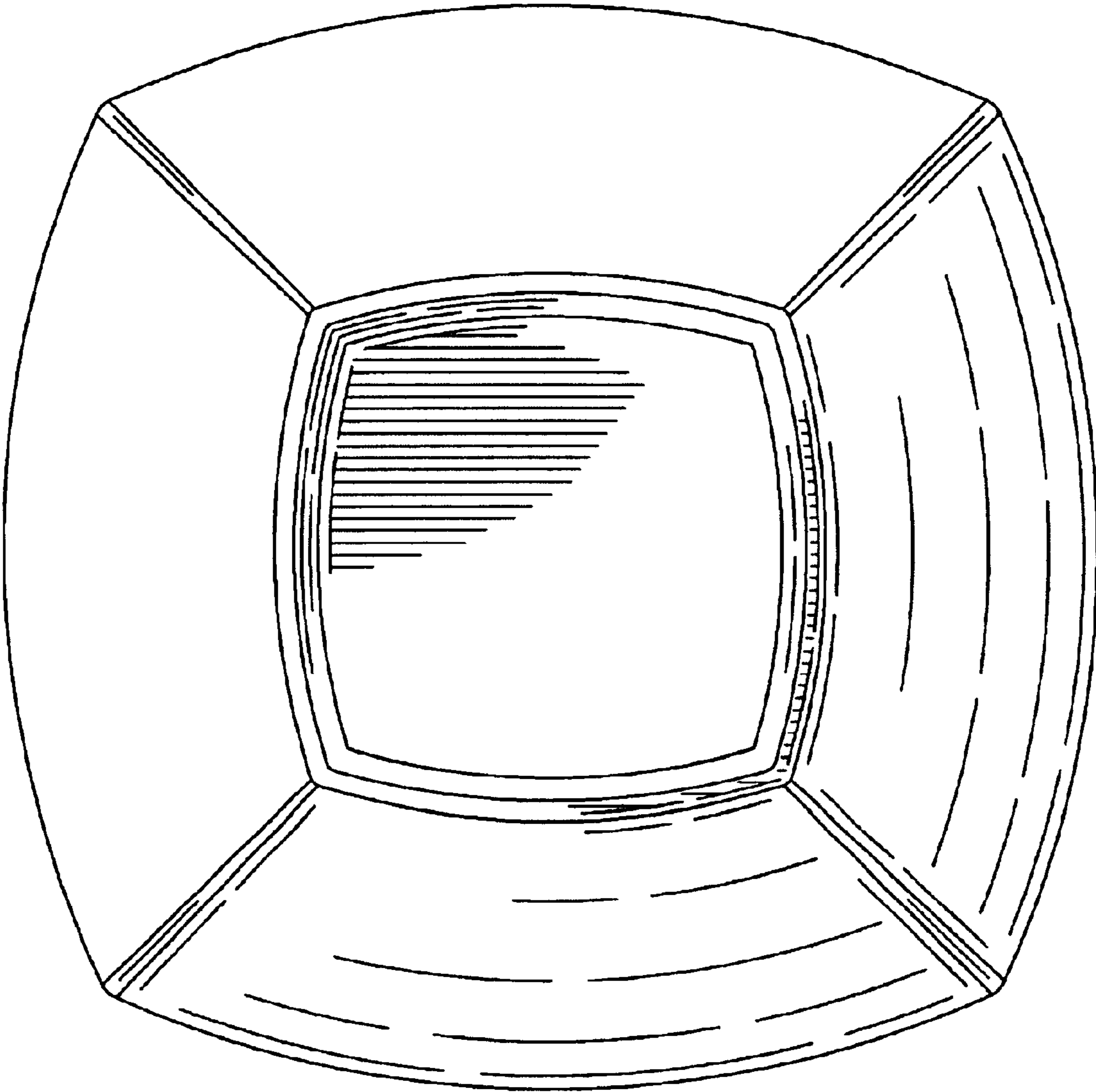


FIG. 5