

US00D495926S1

(12) **United States Design Patent**
Nikkhah

(10) **Patent No.:** **US D495,926 S**

(45) **Date of Patent:** **** Sep. 14, 2004**

(54) **STIR STICK**

(75) **Inventor:** **Ali Nikkhah, Mission Viejo, CA (US)**

(73) **Assignee:** **Sylmark Holdings Limited (IE)**

(**) **Term:** **14 Years**

(21) **Appl. No.:** **29/203,949**

(22) **Filed:** **Apr. 20, 2004**

(51) **LOC (7) Cl.** **31-00**

(52) **U.S. Cl.** **D7/412; D7/376**

(58) **Field of Search** **D7/376-386, 412,**
D7/413, 300.2; D32/35; 81/487, 488; 99/513;
241/199.1, 30, 169.2; 294/1.1; 366/189,
192, 194, 205, 314, 347-349

4,552,461 A	11/1985	Ott et al.	
4,561,782 A	12/1985	Jacobsen et al.	
5,197,483 A *	3/1993	Rogalsky et al. 241/169.2
5,302,021 A	4/1994	Jennett et al.	
5,662,032 A	9/1997	Baratta	
5,795,062 A	8/1998	Johnson	
6,390,665 B1	5/2002	Silveria	
6,431,744 B1	8/2002	Ash et al.	
6,527,433 B2	3/2003	Daniels, Jr.	
D473,421 S	4/2003	Daniels, Jr.	
D474,065 S	5/2003	Daniels, Jr.	
D474,067 S	5/2003	Daniels, Jr.	
D474,643 S	5/2003	Daniels, Jr.	
2001/0006486 A1	7/2001	Ofverberg	
2002/0080678 A1	6/2002	Daniels, Jr.	
2003/0099154 A1	5/2003	Daniels, Jr.	

* cited by examiner

Primary Examiner—Caron D. Veynar

(74) *Attorney, Agent, or Firm*—Kathy Mojibi Kavcioglu

(56) **References Cited**

U.S. PATENT DOCUMENTS

1,874,079 A	8/1932	Black	
2,070,545 A	2/1937	Gilbert	
2,315,018 A	3/1943	Lawrence	
2,774,576 A	12/1956	Frank, Sr.	
2,896,924 A	7/1959	Jepson	
2,945,634 A	7/1960	Beck et al.	
3,155,376 A	11/1964	Mollenbruck	
3,417,972 A	12/1968	Vincent	
3,895,548 A *	7/1975	Sauve 81/488
4,030,707 A	6/1977	Moreton	
4,201,487 A	5/1980	Backhaus	
4,250,771 A *	2/1981	Berler 81/487
4,268,080 A *	5/1981	Lindley 294/1.1
4,397,427 A *	8/1983	Howard 241/30

(57) **CLAIM**

The ornamental design for a stir stick, as shown and described.

DESCRIPTION

FIG. 1 is a perspective view of a stir stick showing my new design;

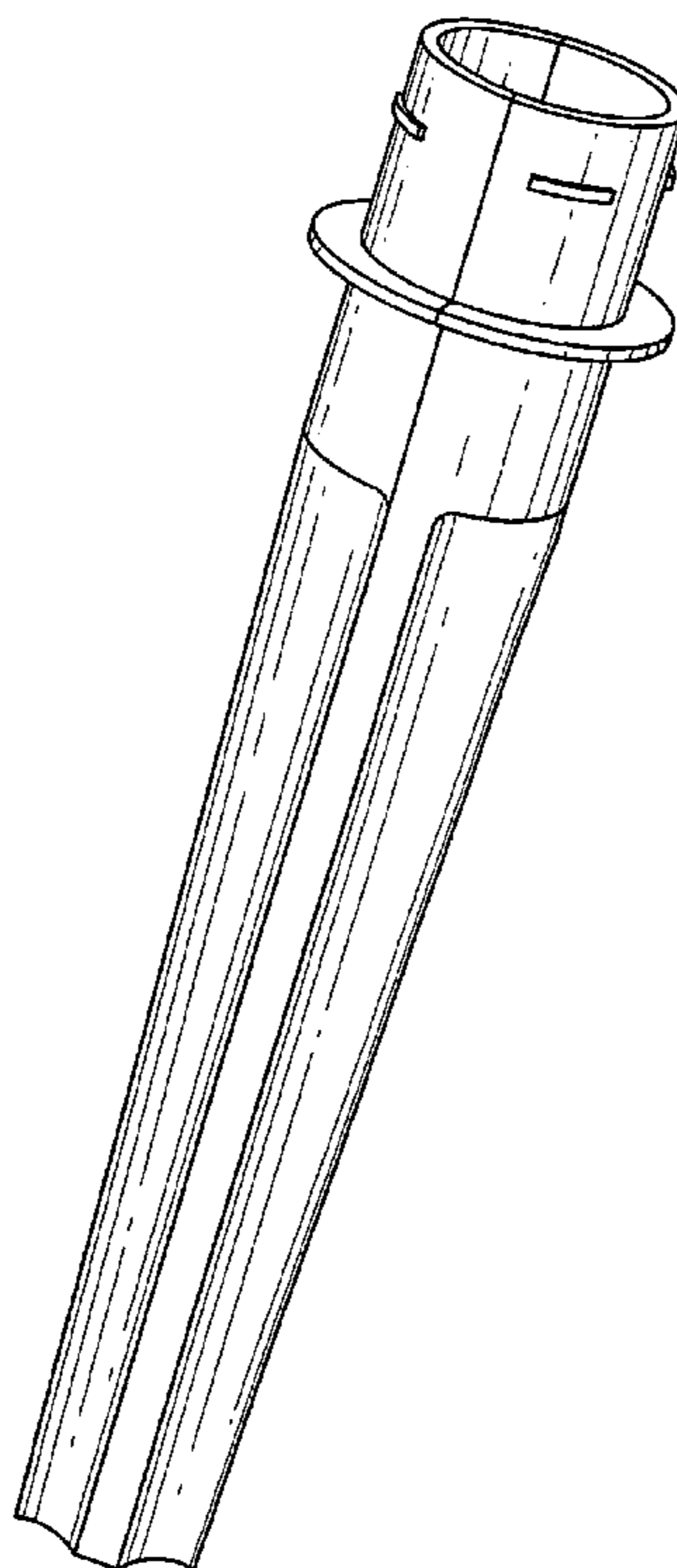
FIG. 2 is a front elevational view thereof;

FIG. 3 is a side elevational view thereof;

FIG. 4 is a top plan view thereof; and,

FIG. 5 is a bottom plan view thereof.

1 Claim, 2 Drawing Sheets



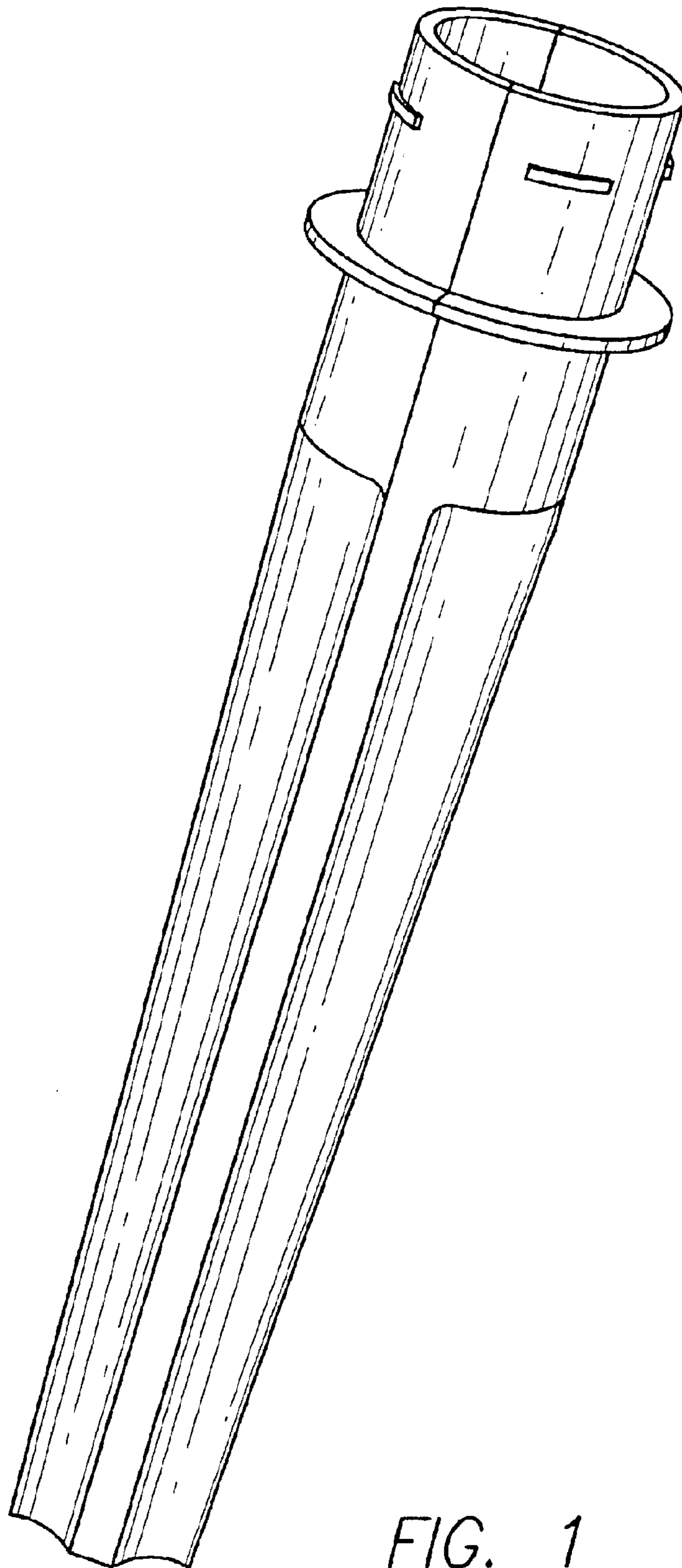


FIG. 1

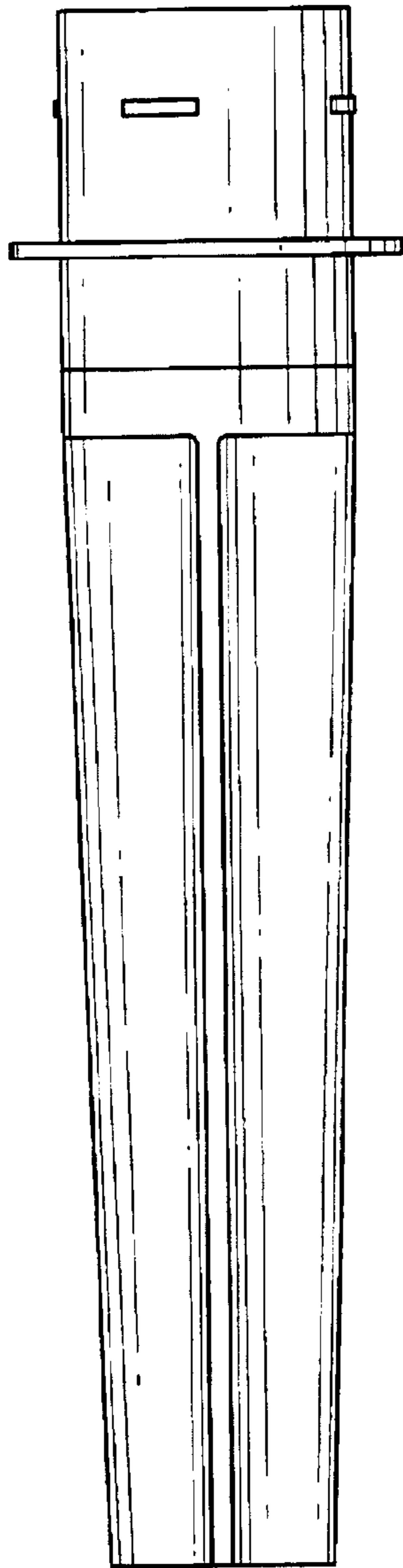


FIG. 2

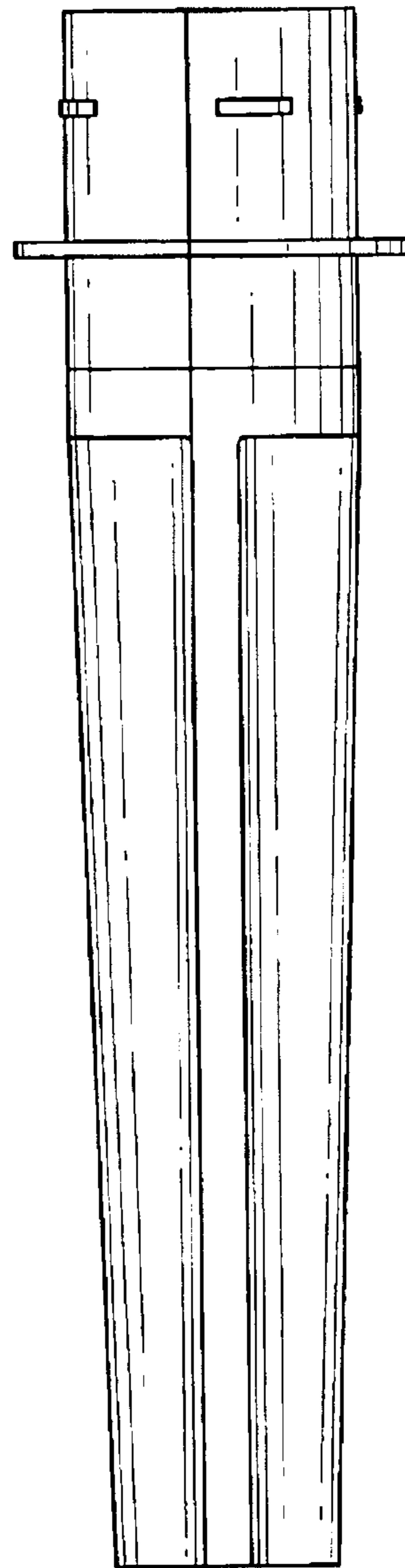


FIG. 3

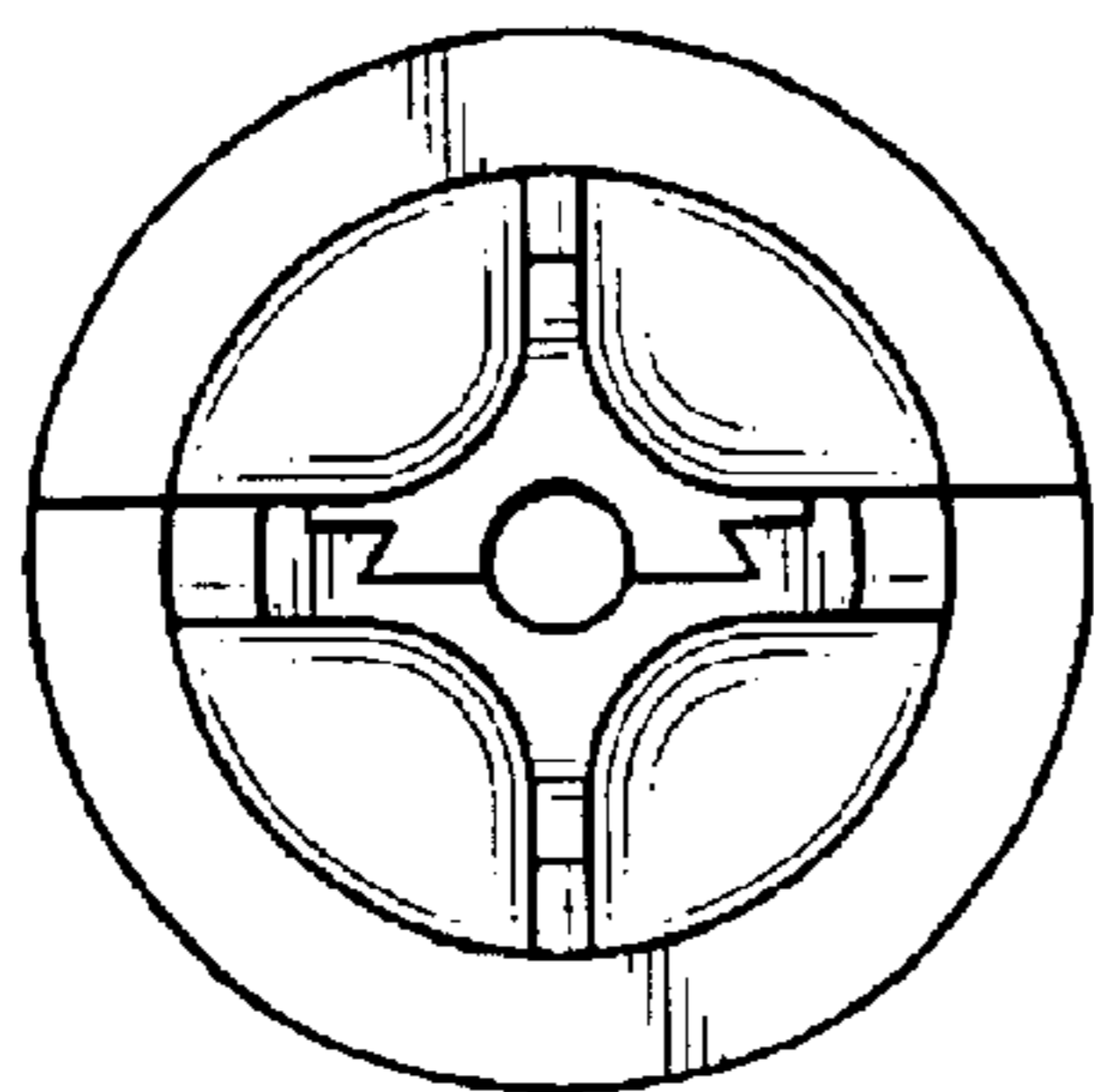


FIG. 4

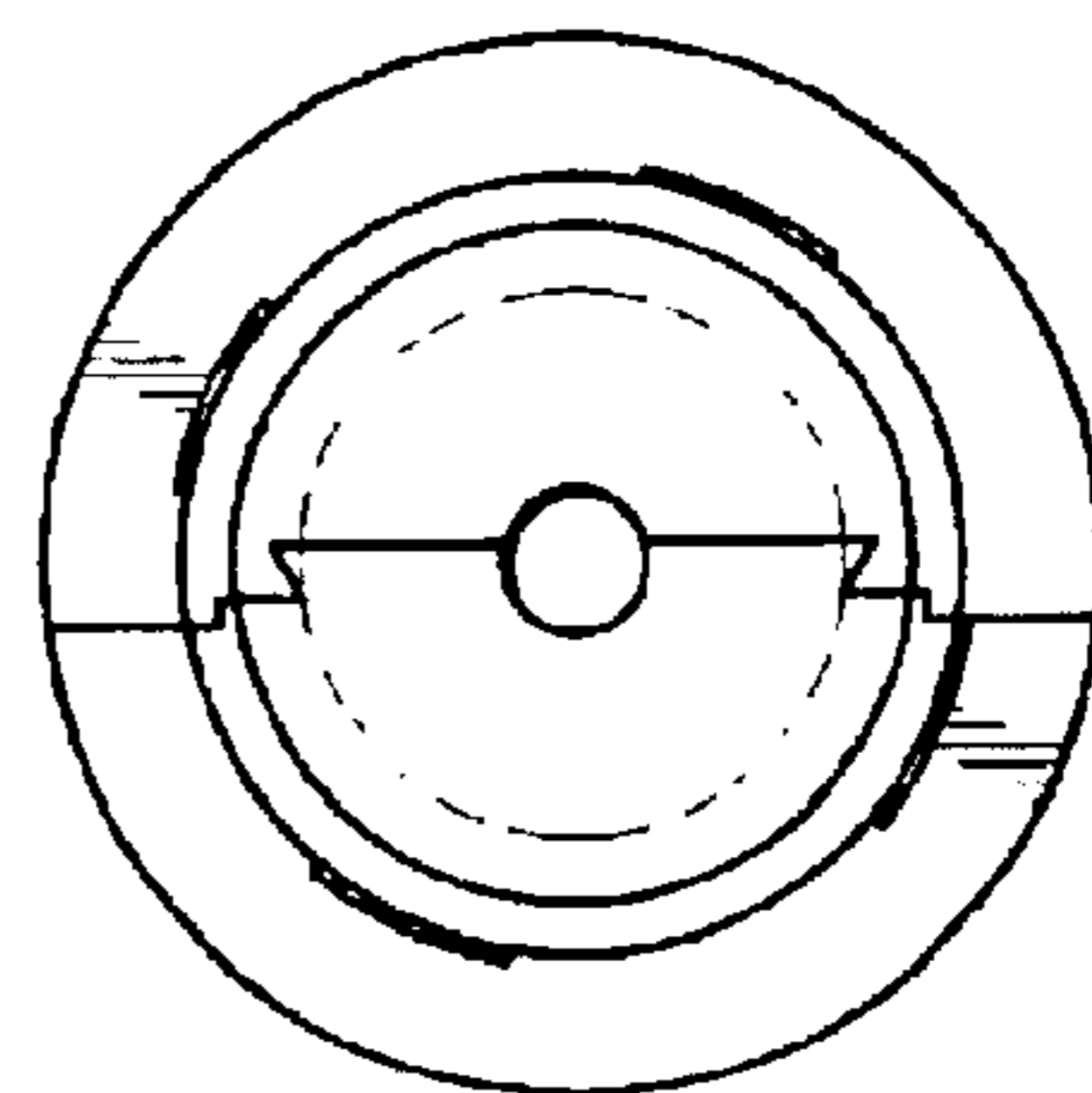


FIG. 5