

US00D495925S1

(12) **United States Design Patent** (10) **Patent No.:** **US D495,925 S**  
**Ulanski et al.** (45) **Date of Patent:** **\*\* Sep. 14, 2004**

(54) **LID FOR A CONTAINER FOR A BLENDER**

(75) Inventors: **Robert M. Ulanski**, Broadview Heights, OH (US); **David J. Kolar**, Stow, OH (US); **Richard D. Boozer**, Wakeman, OH (US); **Bastiaan H. Van Besouw**, Strongsville, OH (US)

(73) Assignee: **Vita-Mix Corporation**, Cleveland, OH (US)

(\*\*) Term: **14 Years**

(21) Appl. No.: **29/175,166**

(22) Filed: **Jan. 30, 2003**

(51) **LOC (7) Cl.** ..... **31-00**

(52) **U.S. Cl.** ..... **D7/412**

(58) **Field of Search** ..... D7/376-387, 391-392.1, D7/412, 413, 538, 540, 640; D9/435, 439, 454, 503; 126/384.1; 220/200, 203.11, 802

(56) **References Cited**

**U.S. PATENT DOCUMENTS**

D176,258 S	*	12/1955	Hill et al.	.....	D7/391
D336,590 S		6/1993	Barnard	.....	D7/378
D345,488 S		3/1994	Barnard et al.	.....	D7/412
D435,192 S		12/2000	Bohannon, Jr. et al.	.....	D7/413
D481,258 S	*	10/2003	Brady et al.	.....	D7/412

**OTHER PUBLICATIONS**

Brochure “The World’s Best Blender Is . . .”, K-Tec Lindon, Utah, 4 pages (undated).  
 Brochure “Margarita Madness”, Waring Commercial, New Hartford, Connecticut, 2 pages, (undated).  
 Brochure excerpt “Hamilton Beach”, Hamilton Beach Commercial, Washington, North Carolina, 4 pages, (Aug. 1998).  
 Brochure “Model 990 1 Gallon Blender”, Hamiton Beach Commercial, Washington, North Carolina, 2 pages, (Nov. 1992).  
 Brochure “K-Tec’s Champ The “Sound” Solution!”, K-Tec, Lindon, Utah, 2 pages (undated).

Brochure “vita-prep™ The Professional Chef’s Power Tool”, Vita-Mix Corporation, Cleveland, Ohio, 4 pages (May 1998).

Brochure “Vita-Pro®—The Difference is Clear”, Vita-Mix Corporation, Cleveland, Ohio, 2 pages, (Jul. 2001).

Brochure excerpt “Frozen Drinks As Simple As 1-2-3”, Vita-Mix Corporation, Cleveland, Ohio, 2 pages (Oct. 2002).

Brochure excerpt “barboss The Professional Bartender’s Blender”, Vita-Mix Corporation, Cleveland, Ohio, 1 page (Nov. 2002).

Brochure excerpt “Vita-Mix® Two-Speed Drink Machine™ The World’s Best Blender Does it All!”, Vita-Mix Corporation, Cleveland, Ohio, 1 page (undated).

Brochure “What more can the world’s best blender offer? More Quiet.”, Vita-Mix Corporation, Cleveland, Ohio, 4 pages, (Apr. 1998).

Brochure excerpt “Get Trim & Fit Fast”, Vita-Mix Corporation, Cleveland, Ohio; 7 pages, (Jan. 1999).

\* cited by examiner

*Primary Examiner*—Caron D. Veynar

(74) *Attorney, Agent, or Firm*—Renner, Kenner, Greive, Bobak, Taylor & Weber

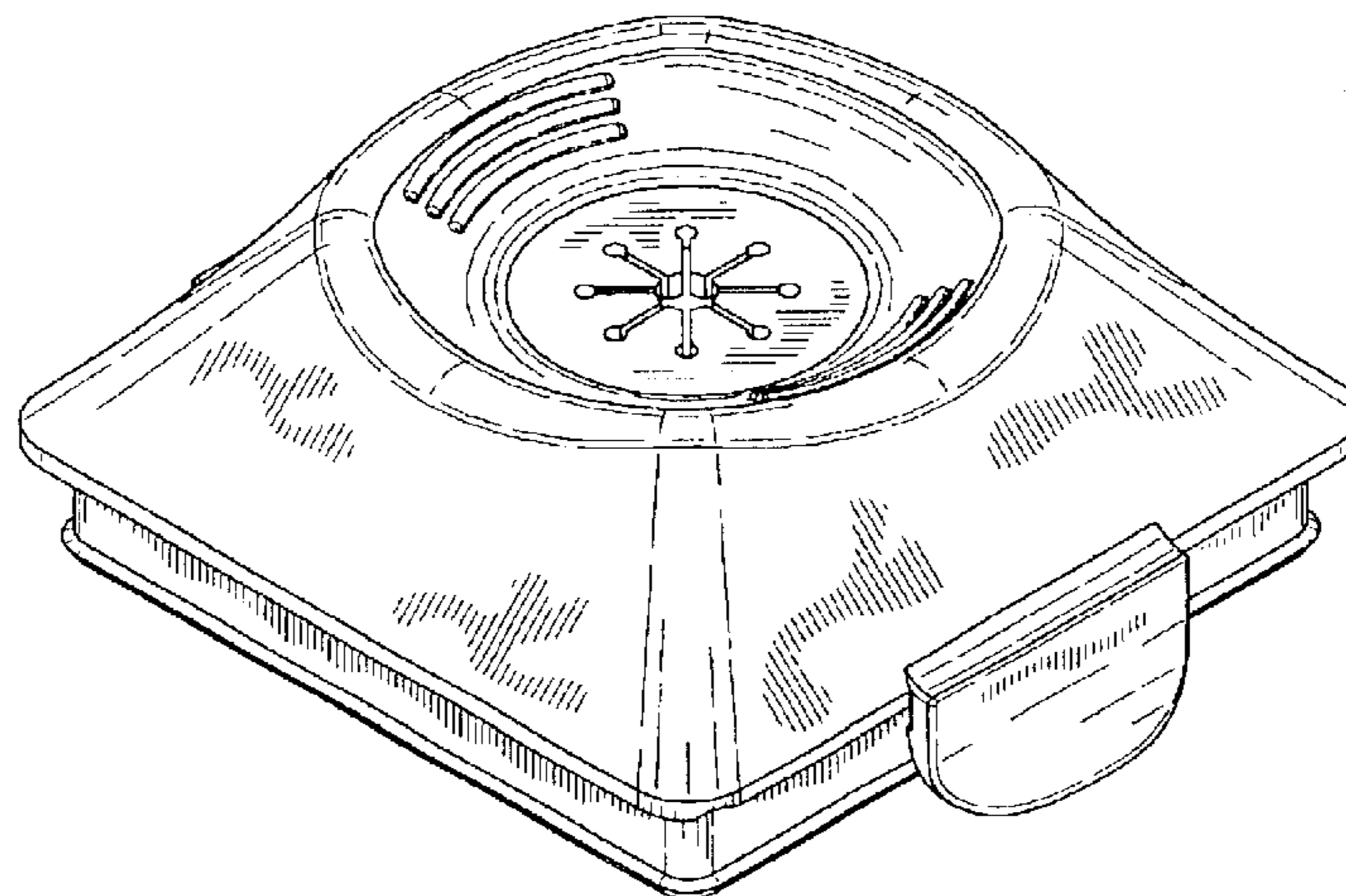
(57) **CLAIM**

The ornamental design for a lid for a container for a blender, as shown and described.

**DESCRIPTION**

FIG. 1 is a top, front, right side perspective view of a lid for a container for a blender showing our new design;  
 FIG. 2 is a top plan view thereof;  
 FIG. 3 is a bottom plan view thereof;  
 FIG. 4 is a rear elevational view thereof, the front elevational view being the same as this FIG. 4;  
 FIG. 5 is a sectional view taken substantially along line 5—5 of FIG. 2;  
 FIG. 6 is a left side elevational view thereof, the right side elevational view being the same as this FIG. 6; and,  
 FIG. 7 is a sectional view taken substantially along line 7—7 of FIG. 2.

**1 Claim, 3 Drawing Sheets**



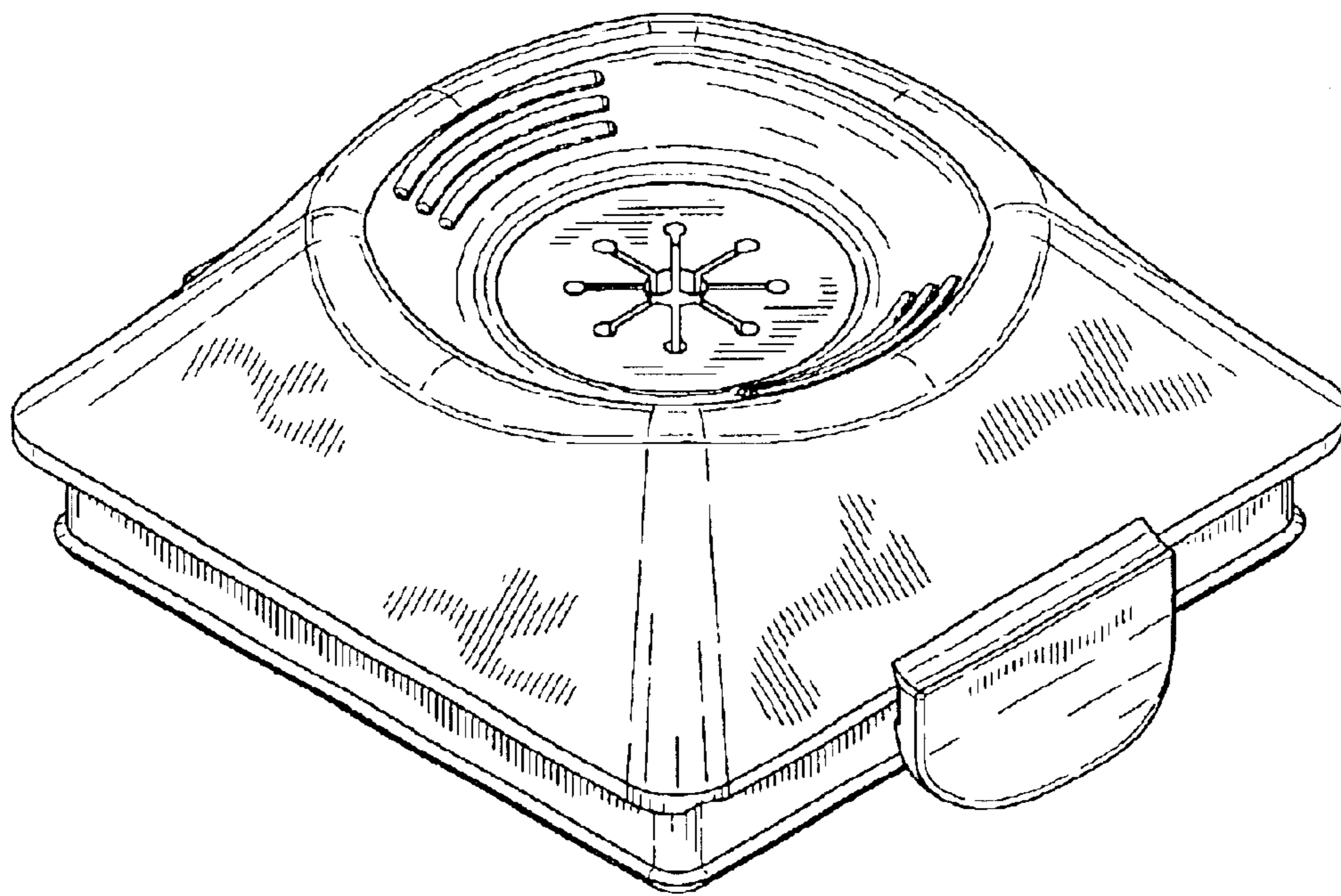


FIG-1

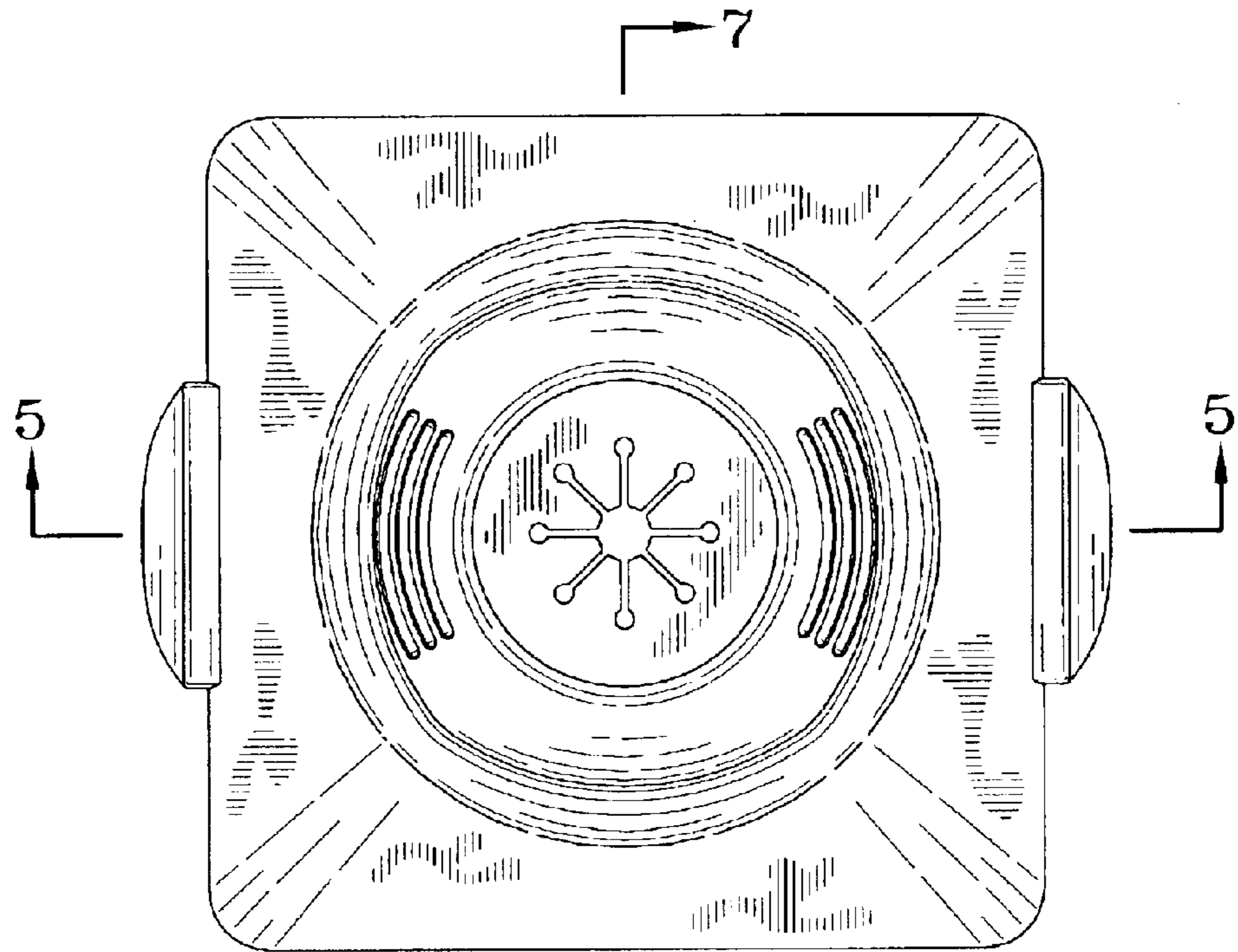


FIG-2

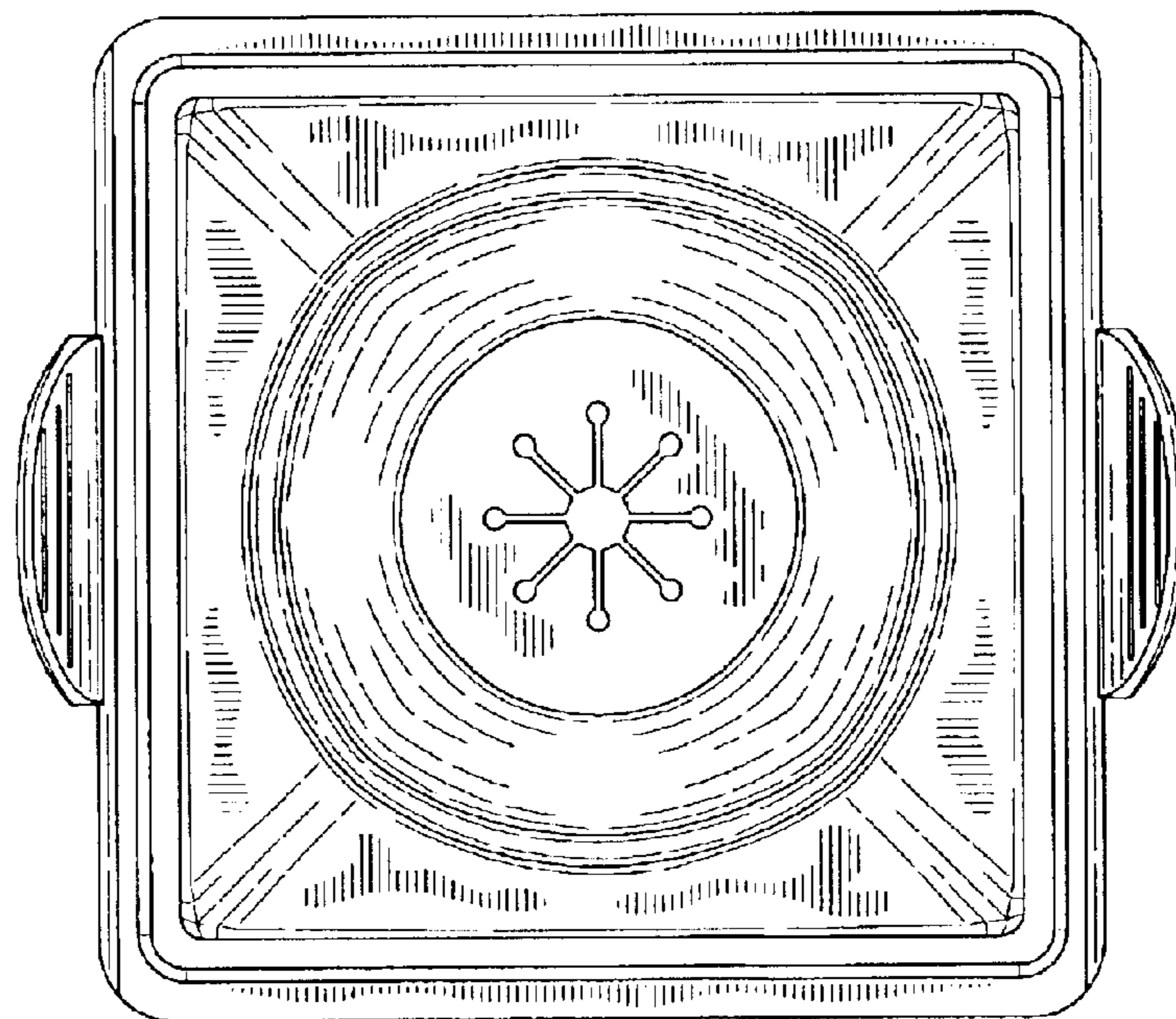


FIG-3

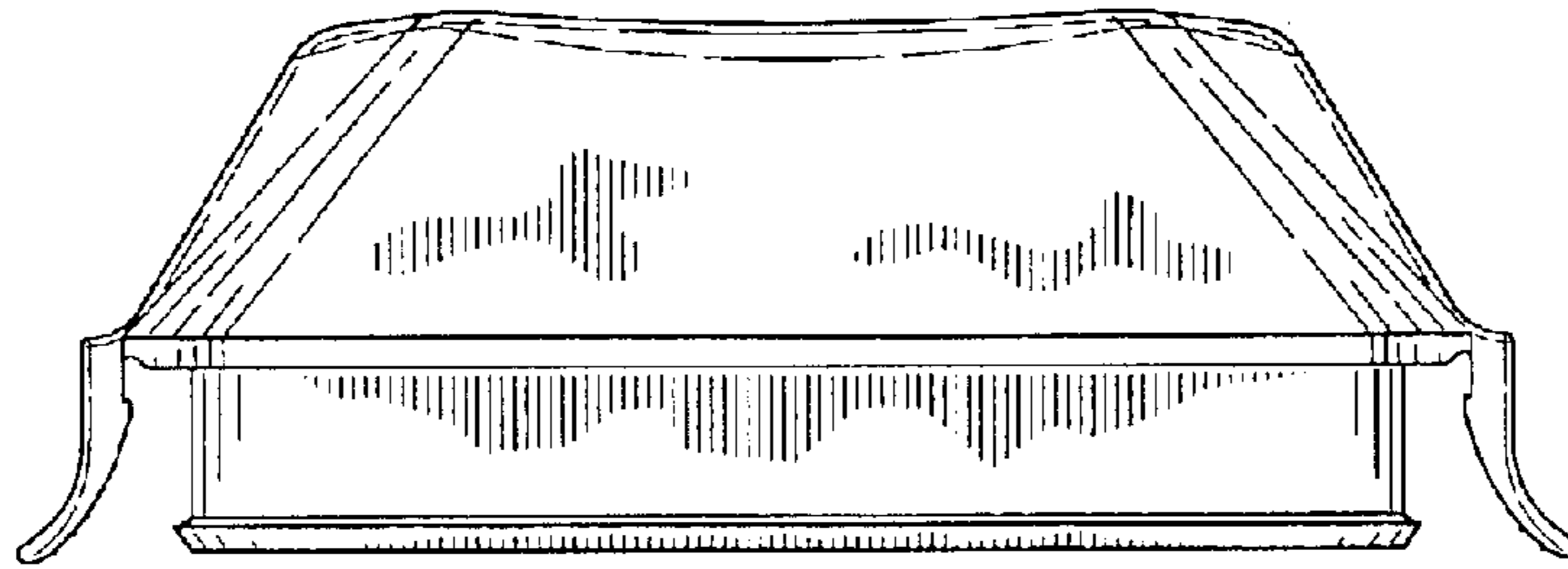


FIG-4

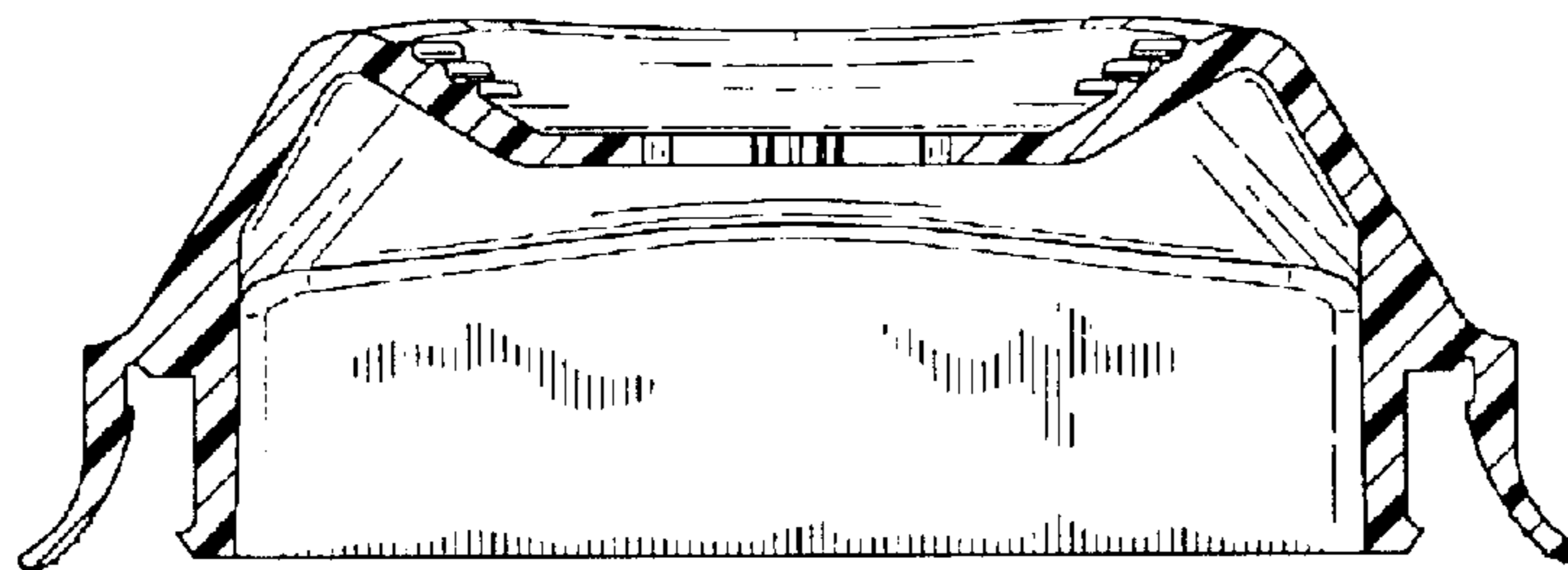


FIG-5

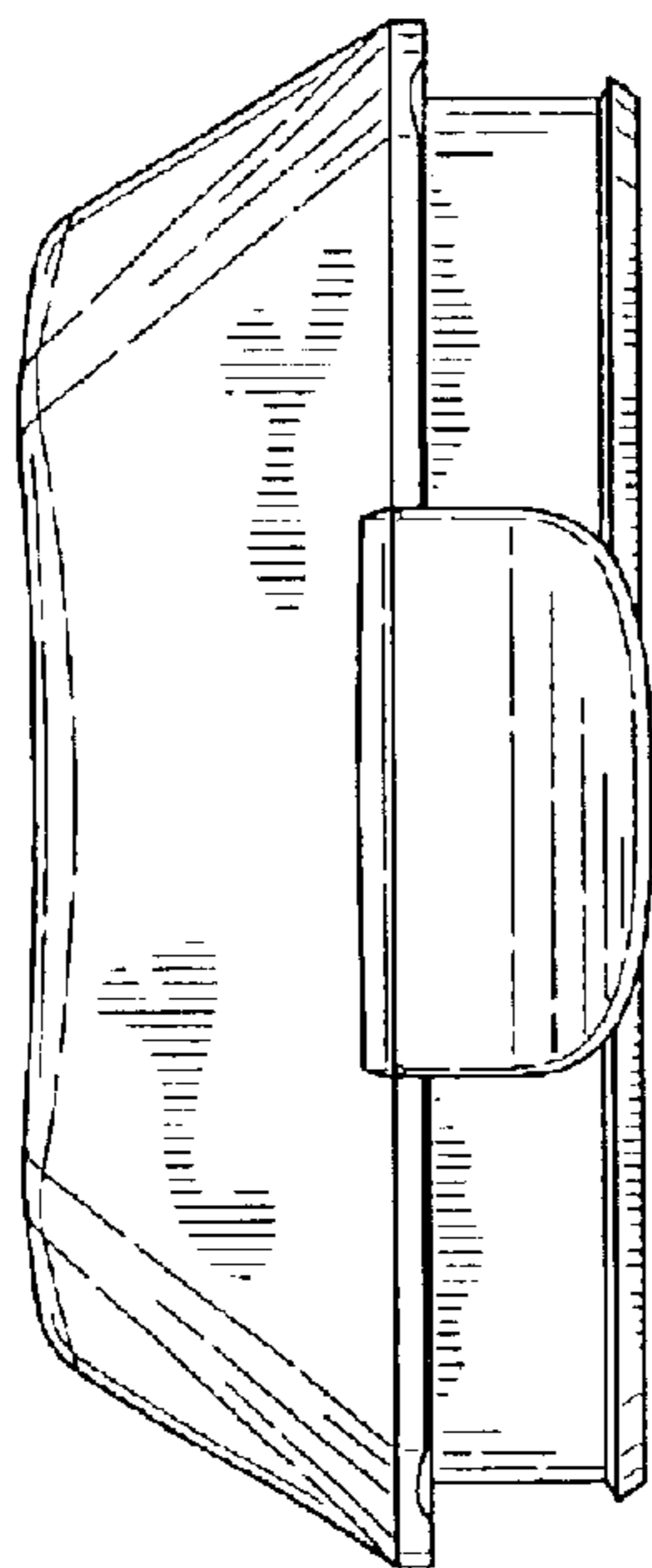


FIG-6

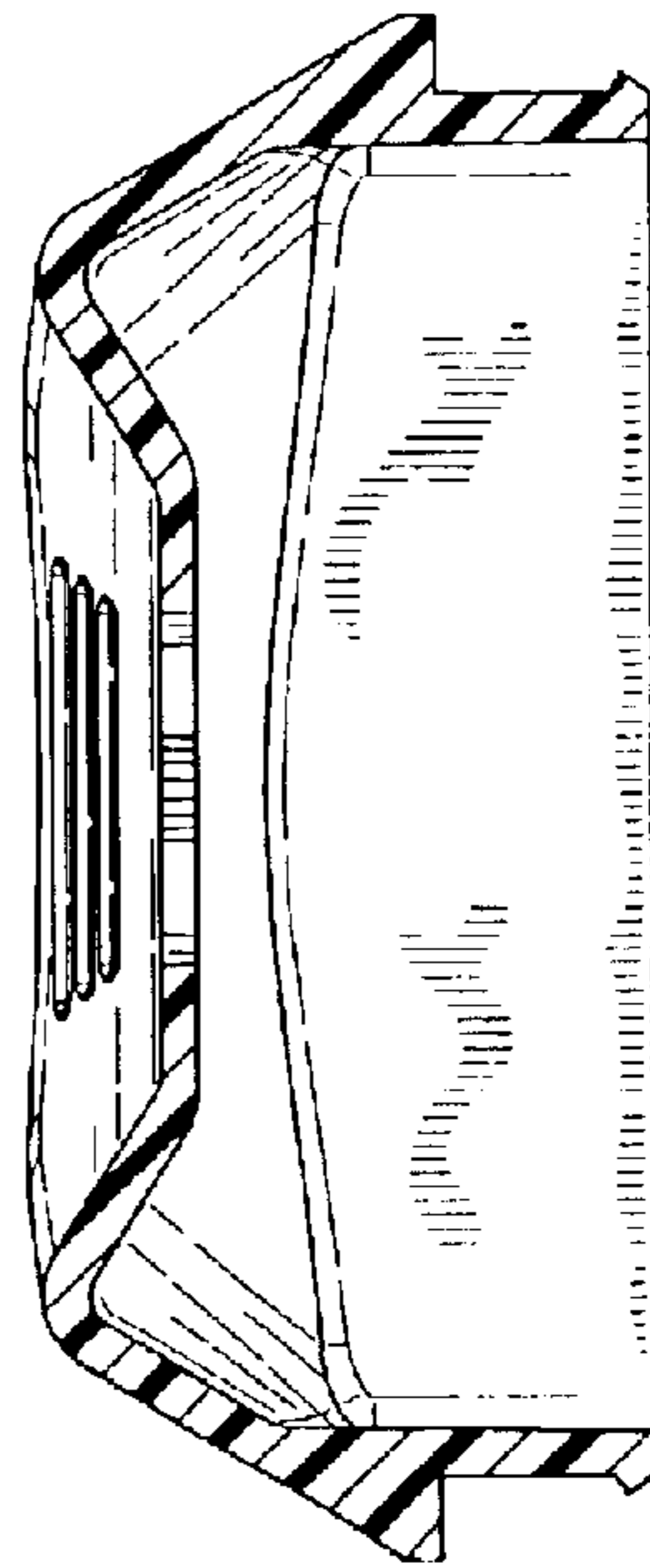


FIG-7