

US00D495921S1

(12) **United States Design Patent**
Lallemand

(10) **Patent No.:** **US D495,921 S**
(45) **Date of Patent:** **** Sep. 14, 2004**

(54) **FOOD MINCER**

(75) **Inventor:** **Thomas Lallemand, Buc (FR)**

(73) **Assignee:** **SEB, Selongey (FR)**

(**) **Term:** **14 Years**

(21) **Appl. No.:** **29/189,486**

(22) **Filed:** **Sep. 8, 2003**

(30) **Foreign Application Priority Data**

Mar. 6, 2003 (FR) 03 1505

(51) **LOC (7) Cl.** **31-00**

(52) **U.S. Cl.** **D7/372**

(58) **Field of Search** D7/372, 373, 368,
D7/376-384, 399; 241/37.5, 92-93, 282.1,
282.2, 277; 99/337, 645

(56) **References Cited**

U.S. PATENT DOCUMENTS

D222,209 S * 10/1971 Dykes D7/372

D236,283 S * 8/1975 McCue D7/372
4,390,133 A * 6/1983 Wanat 241/93
D484,738 S * 1/2004 Wong D7/372

* cited by examiner

Primary Examiner—Catherine R. Oliver
(74) *Attorney, Agent, or Firm*—Browdy and Neimark,
P.L.L.C.

(57) **CLAIM**

The ornamental design for a food mincer, as shown.

DESCRIPTION

FIG. 1 is a front elevational view of a food mincer according to my new design;
FIG. 2 is a rear elevational view thereof;
FIG. 3 is a left side elevational view thereof;
FIG. 4 is a right side elevational view thereof;
FIG. 5 is a top plan view thereof;
FIG. 6 is a bottom plan view thereof; and,
FIG. 7 is a front left side perspective view thereof.

1 Claim, 7 Drawing Sheets

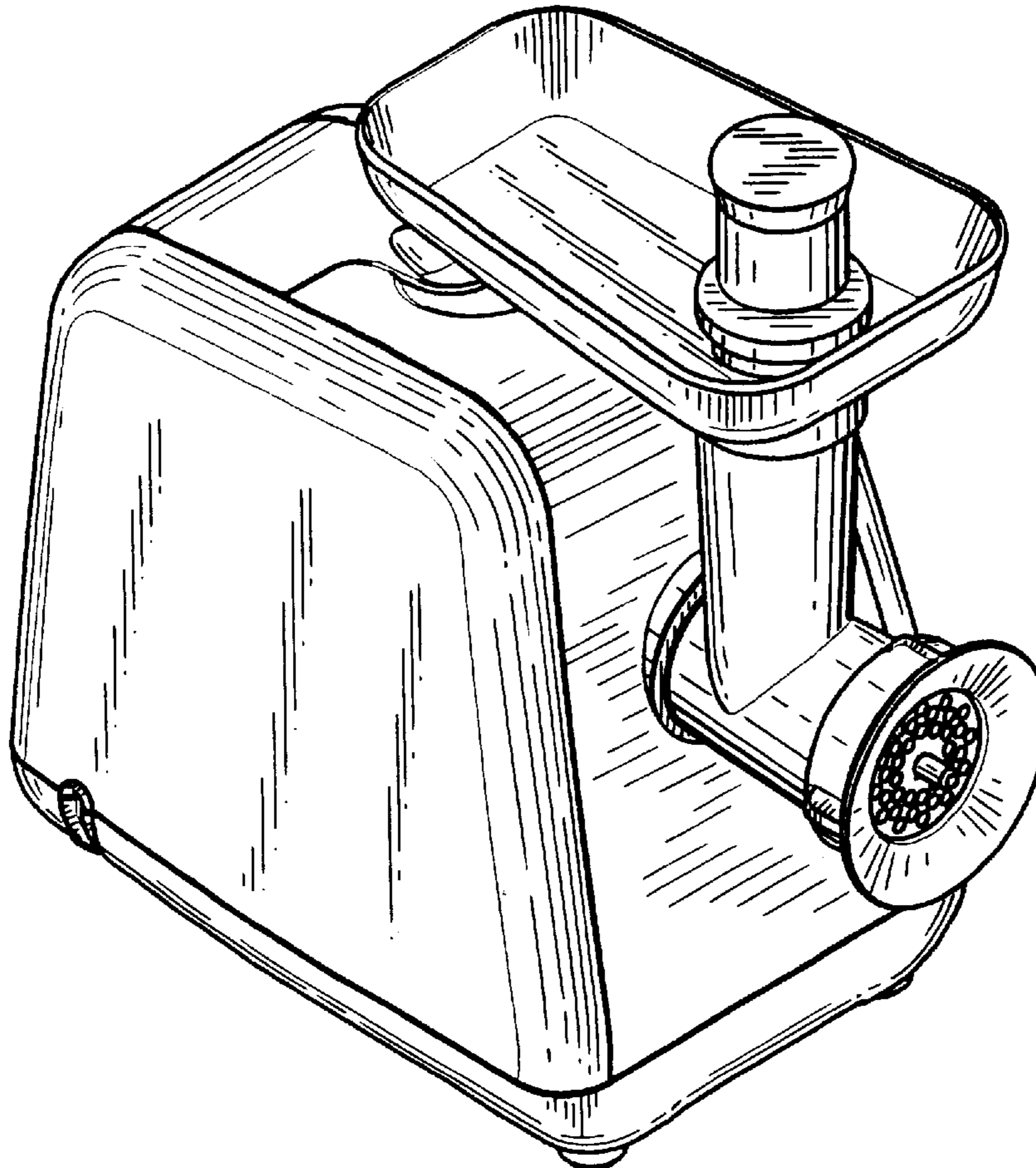


FIG. 1

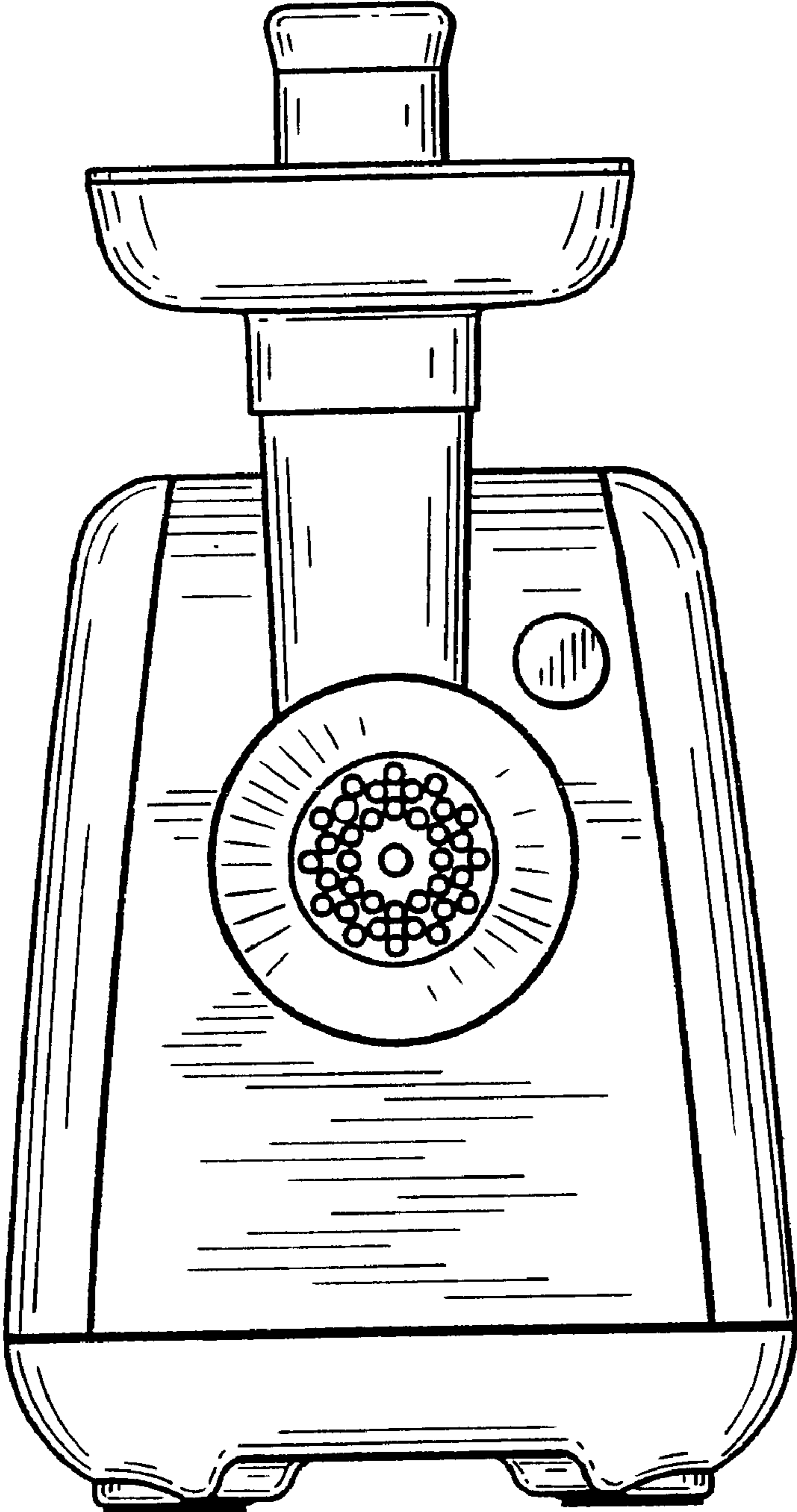


FIG. 2

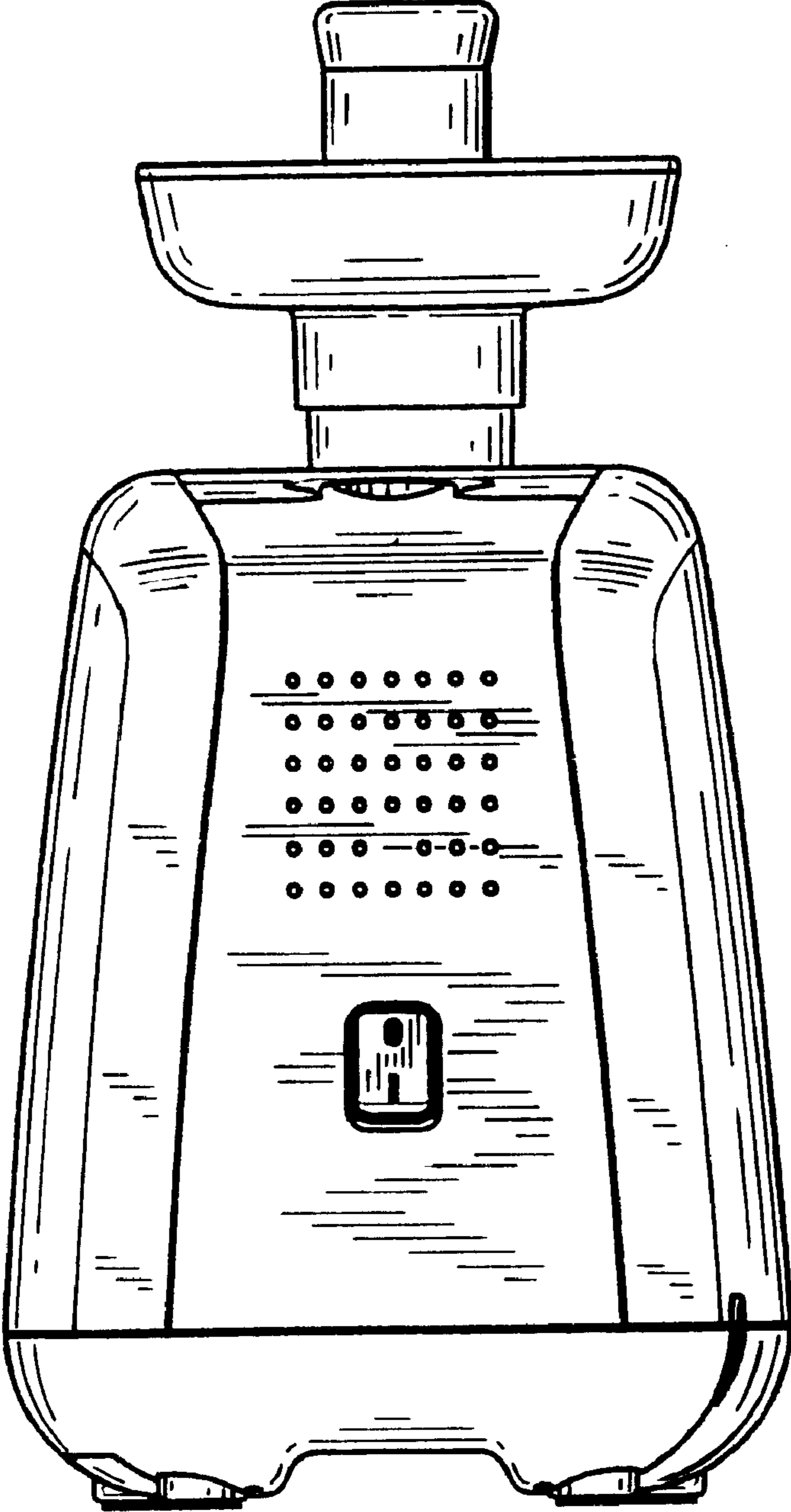


FIG. 3

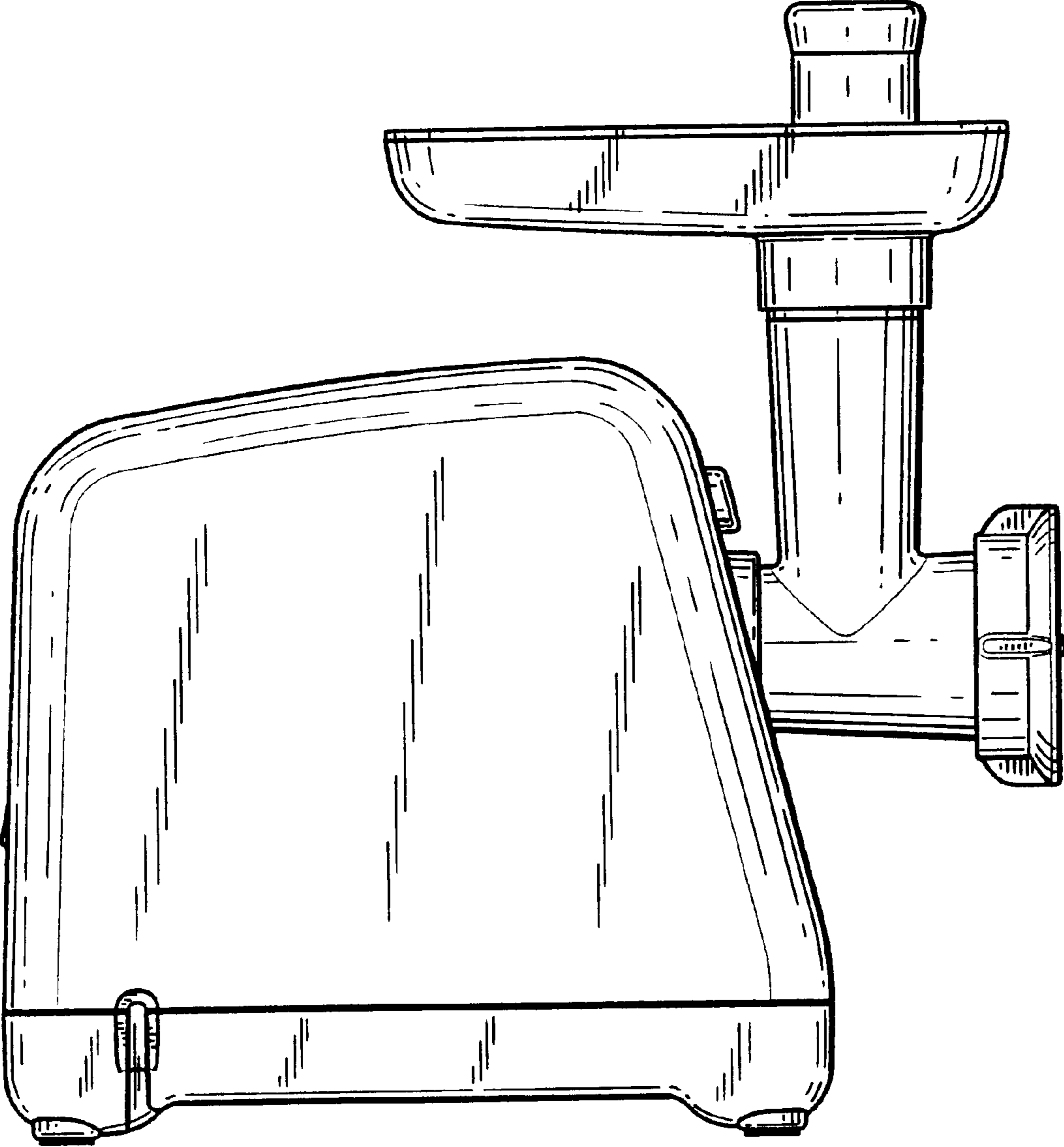


FIG. 4

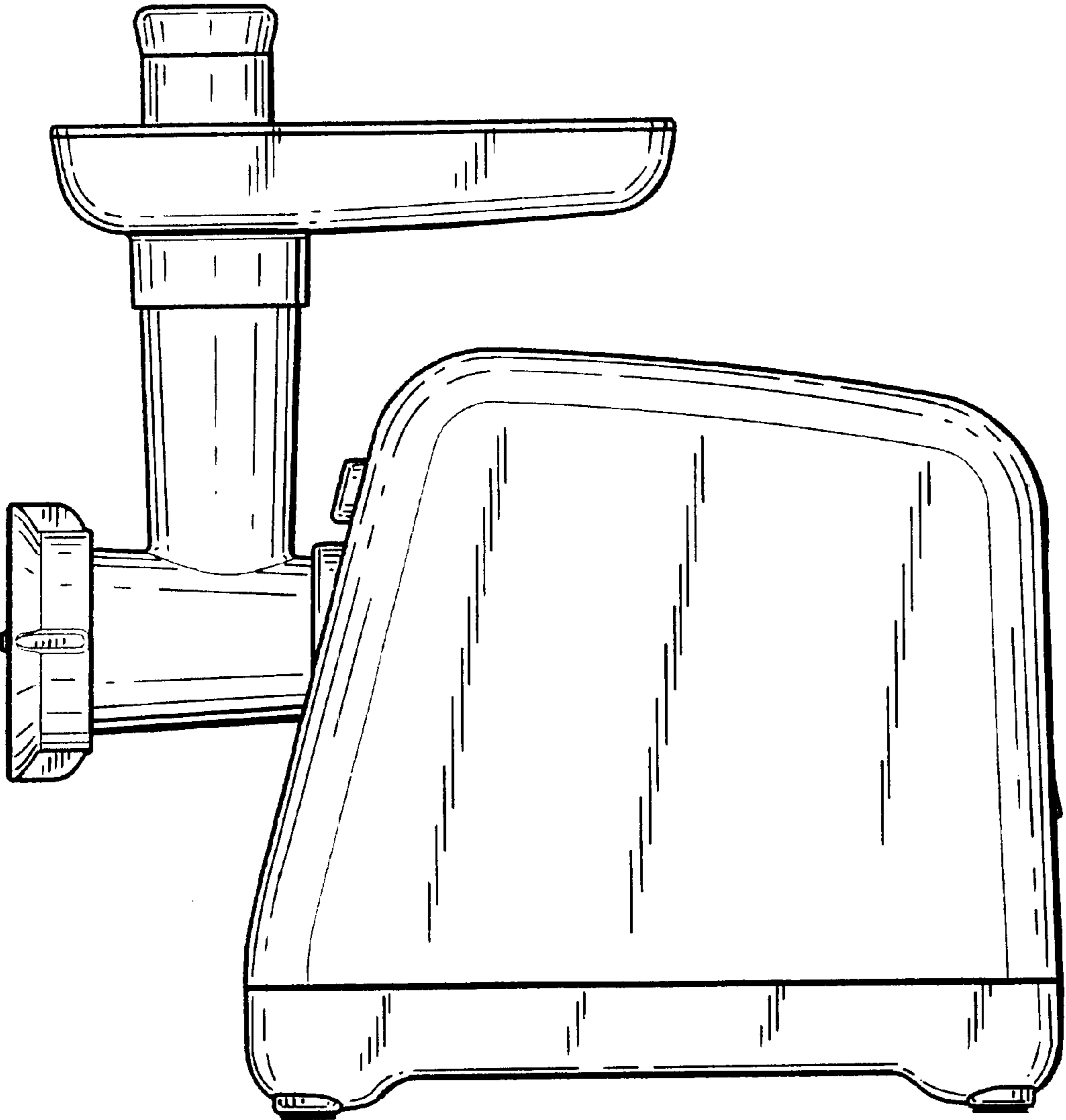


FIG. 5

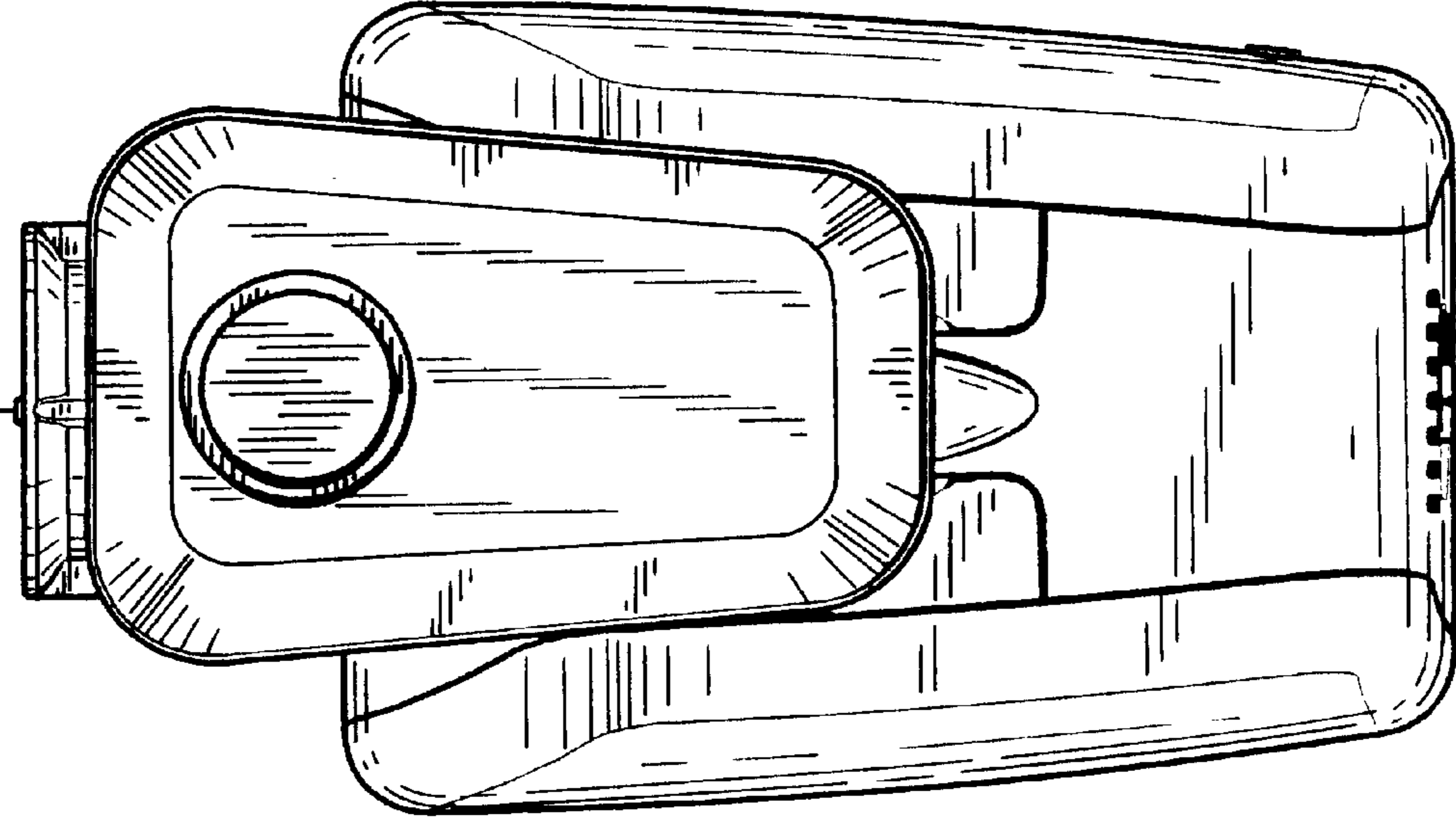


FIG. 6

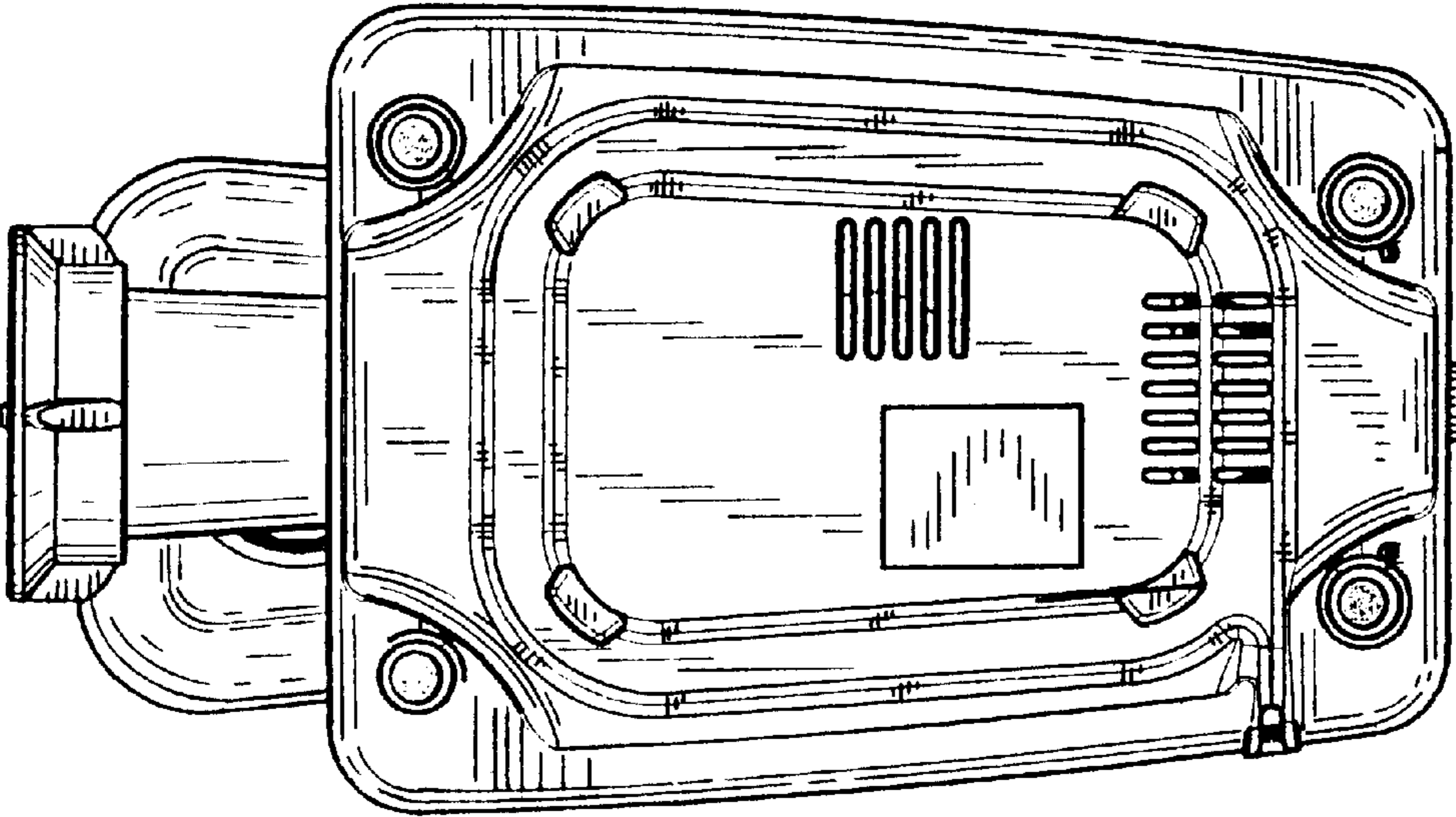


FIG. 7

