

US00D495914S1

(12) **United States Design Patent**
Drolette, Jr. et al.

(10) **Patent No.: US D495,914 S**
(45) **Date of Patent: ** Sep. 14, 2004**

(54) **CYLINDRICAL TOWER BEVERAGE DISPENSING TAP**

(75) Inventors: **John Arthur Drolette, Jr.**, 900
Charterten Ave., Bakersfield, CA (US)
93307; **John Arthur Drolette, Sr.**,
Bakersfield, CA (US)

(73) Assignee: **John Arthur Drolette, Jr.**, Bakersfield,
CA (US)

(**) Term: **14 Years**

(21) Appl. No.: **29/180,099**

(22) Filed: **Oct. 17, 2003**

(51) **LOC (7) Cl. 07-01**

(52) **U.S. Cl. D7/306; D7/313; D7/312**

(56) **References Cited**

U.S. PATENT DOCUMENTS

| | | | | |
|------------|---|---------|--------------------|--------|
| D202,327 S | * | 9/1965 | Reichow | D7/308 |
| D203,963 S | * | 3/1966 | Frank | D7/306 |
| D258,658 S | * | 3/1981 | Hill | D7/306 |
| D331,169 S | * | 11/1992 | Casale et al. | D7/307 |
| D356,713 S | * | 3/1995 | Groover | D7/306 |

| | | | | |
|------------|---|---------|--------------------------|--------|
| D412,262 S | * | 7/1999 | Roundtree | D7/307 |
| D423,862 S | * | 5/2000 | Mravlja, Jr. et al. | D7/306 |
| D431,145 S | * | 9/2000 | Woebcke et al. | D7/306 |
| D455,597 S | * | 4/2002 | Lefroy-Brooks | D7/313 |
| D457,773 S | * | 5/2002 | John et al. | D7/306 |
| D464,226 S | * | 10/2002 | Lassota et al. | D7/306 |
| D487,377 S | * | 3/2004 | McDougall et al. | D7/398 |

* cited by examiner

Primary Examiner—M. N. Pandozzi

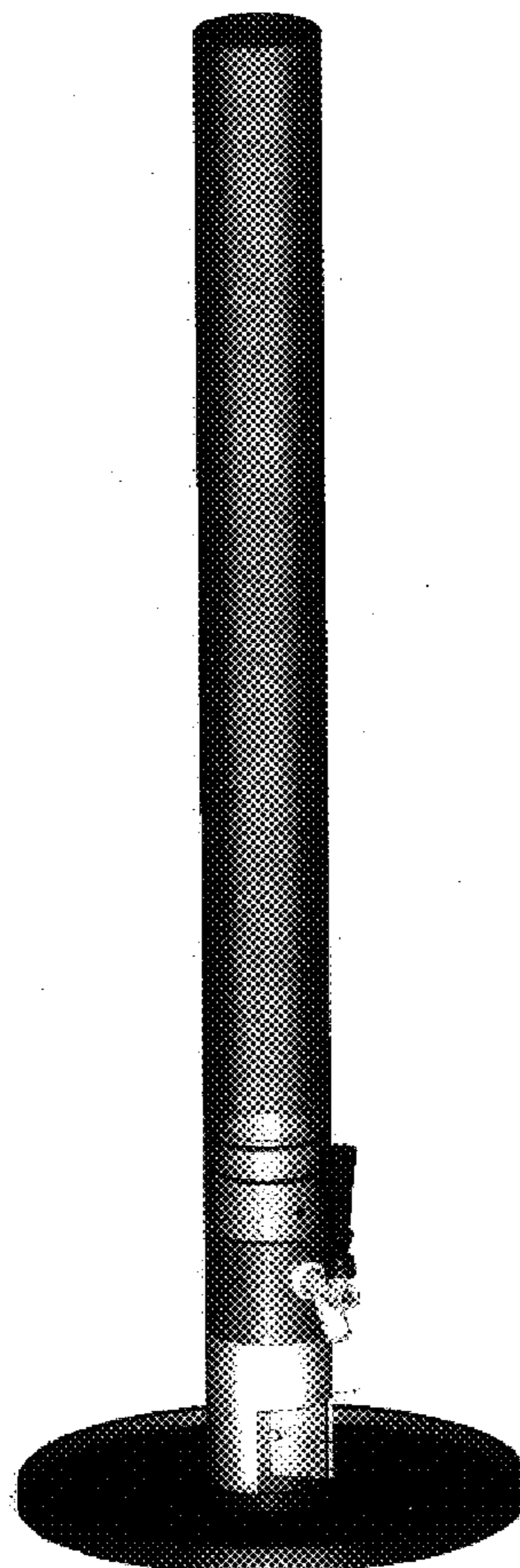
(57) **CLAIM**

The ornamental design for a cylindrical tower beverage dispensing tap, as shown and described.

DESCRIPTION

FIG. 1 is an isometric view of the cylindrical tower beverage dispensing tap showing the new design fully assembled; FIG. 2 is an isometric exploded view thereof; FIG. 3 is a top plan view thereof; FIG. 4 is a magnified isometric view thereof with the upper portion omitted for ease of illustration; FIG. 5 is a magnified isometric exploded view thereof; FIG. 6 is a magnified left side view thereof; and, FIG. 7 is a magnified front view thereof.

1 Claim, 7 Drawing Sheets



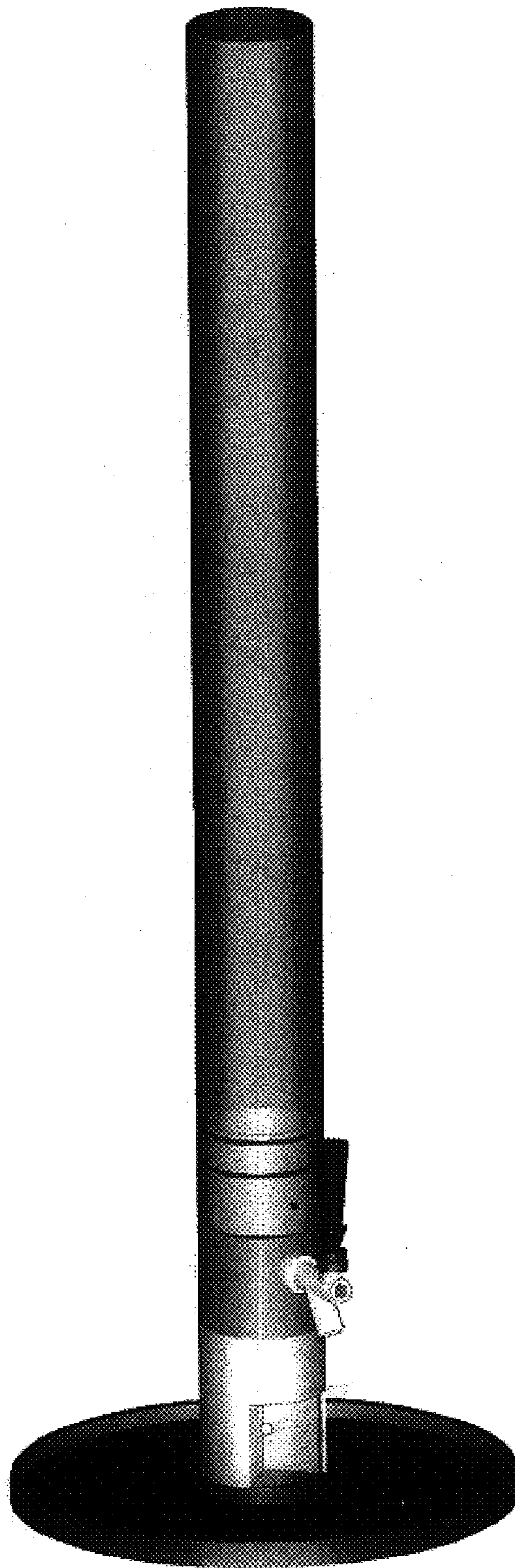


FIGURE 1

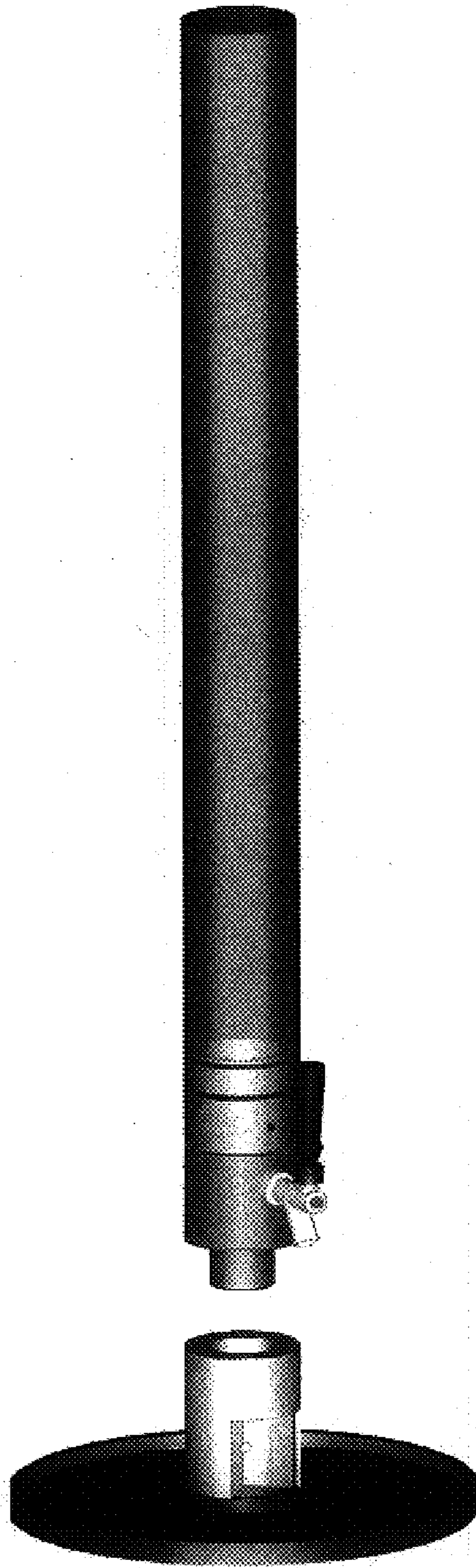


FIGURE 2

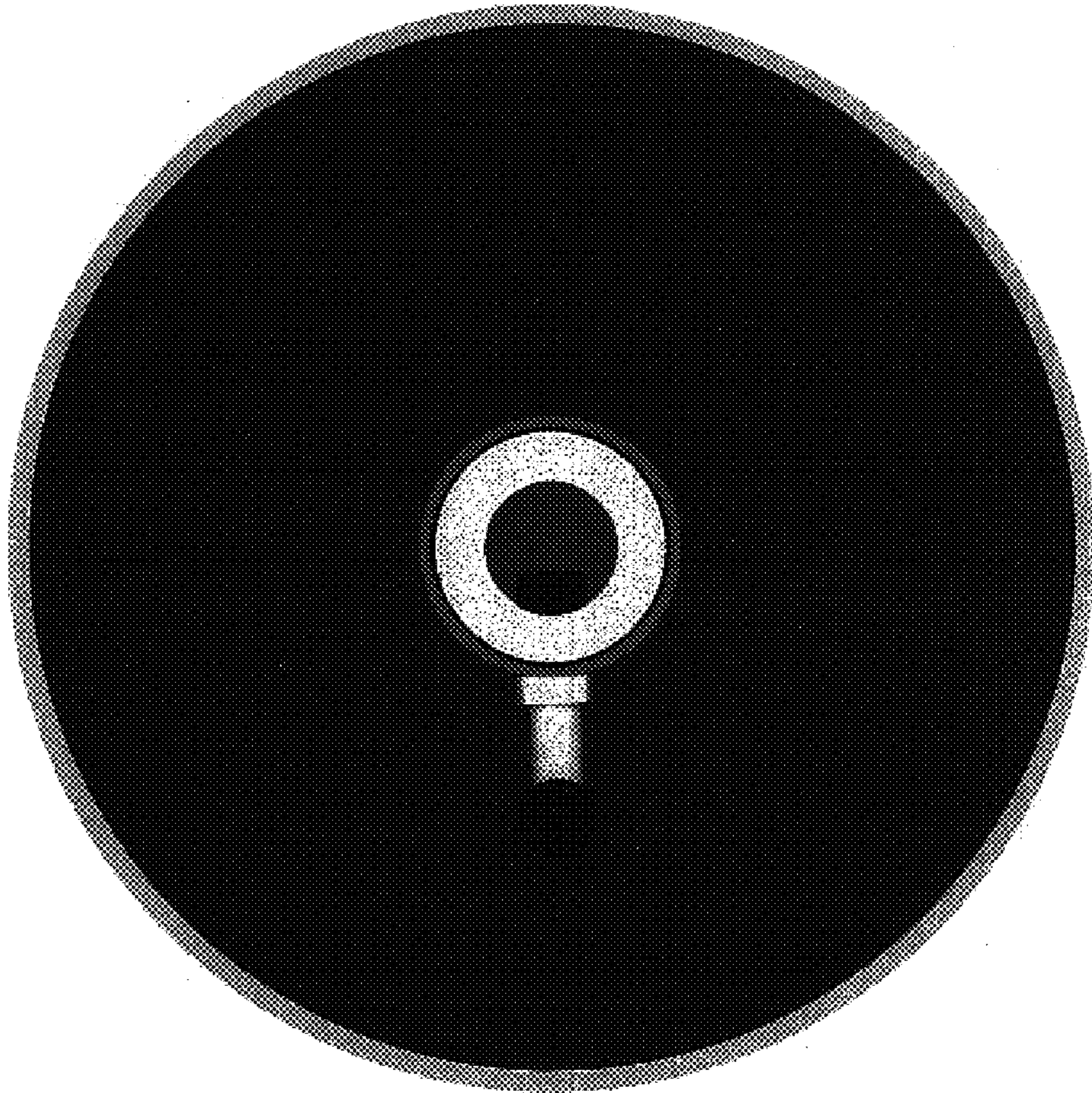


FIGURE 3

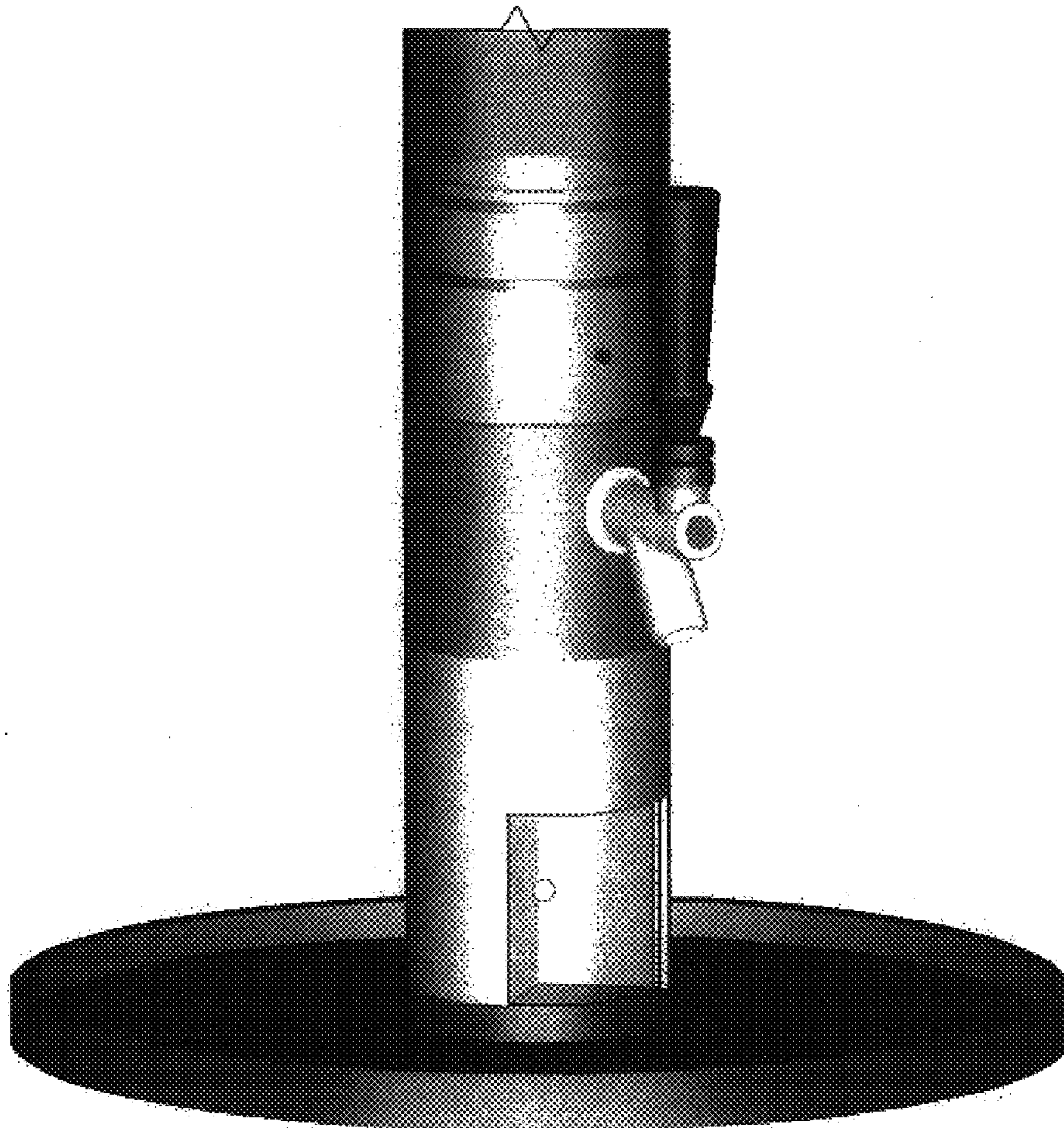


FIGURE 4

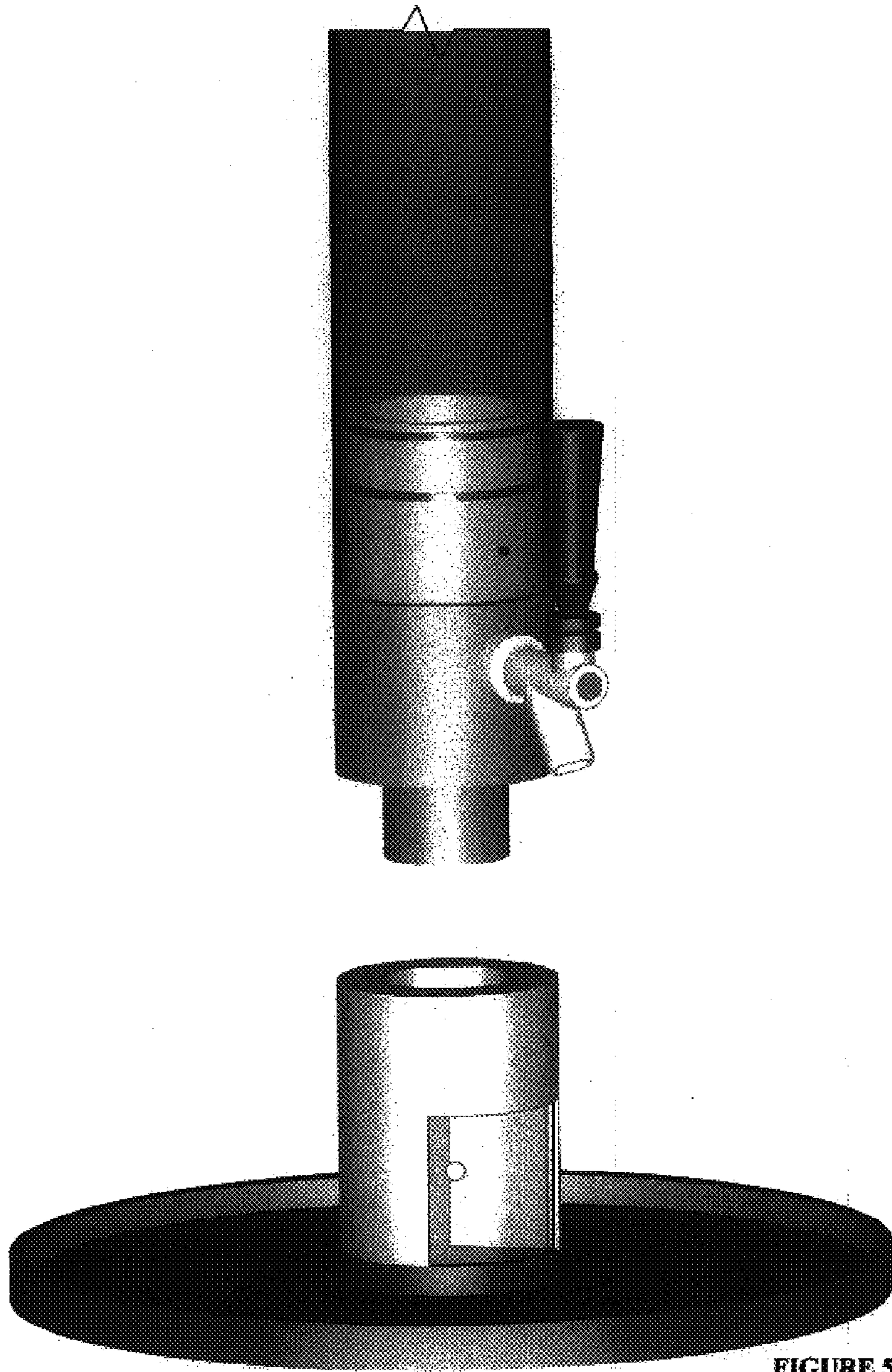


FIGURE 5

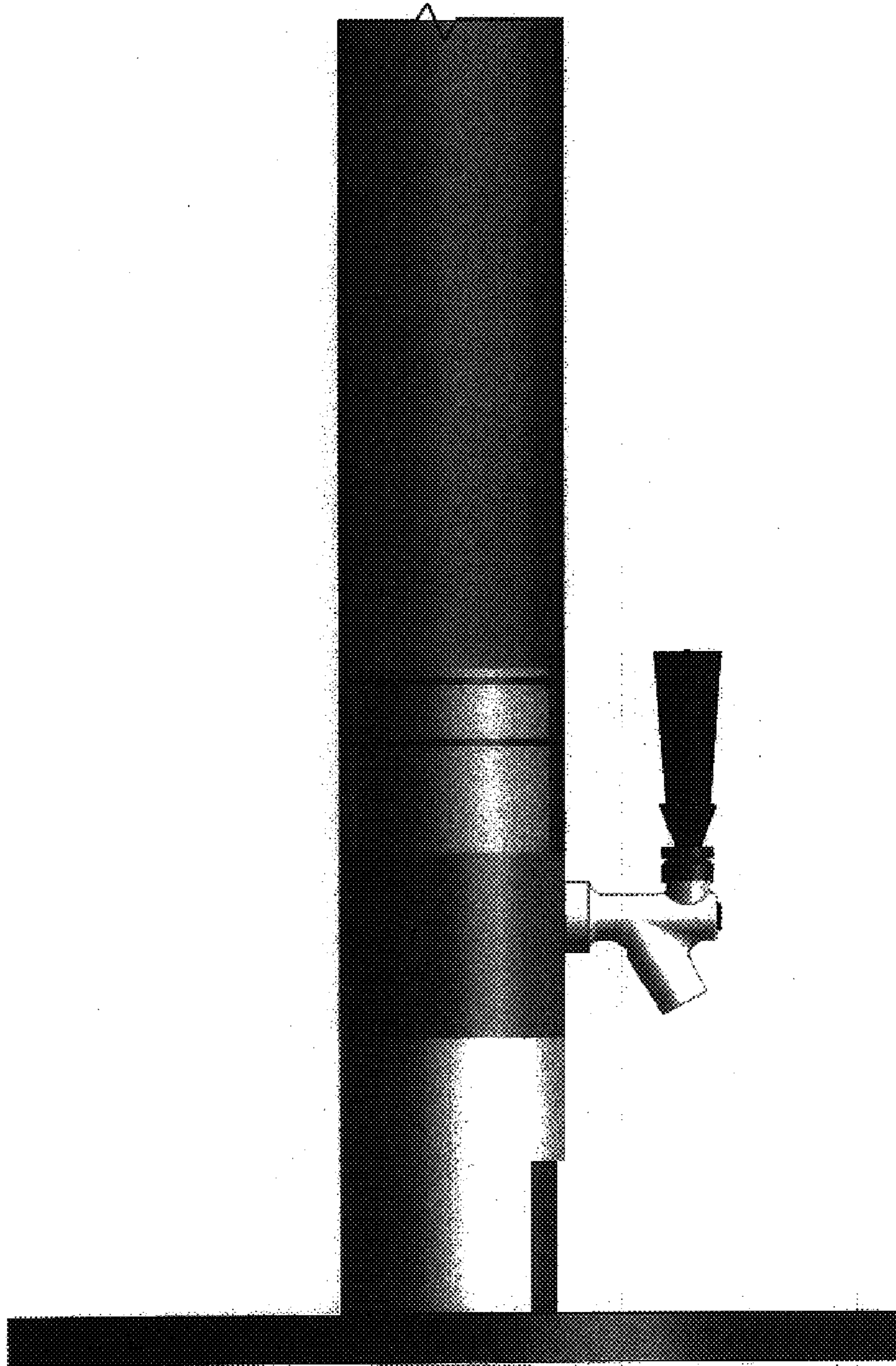


FIGURE 6

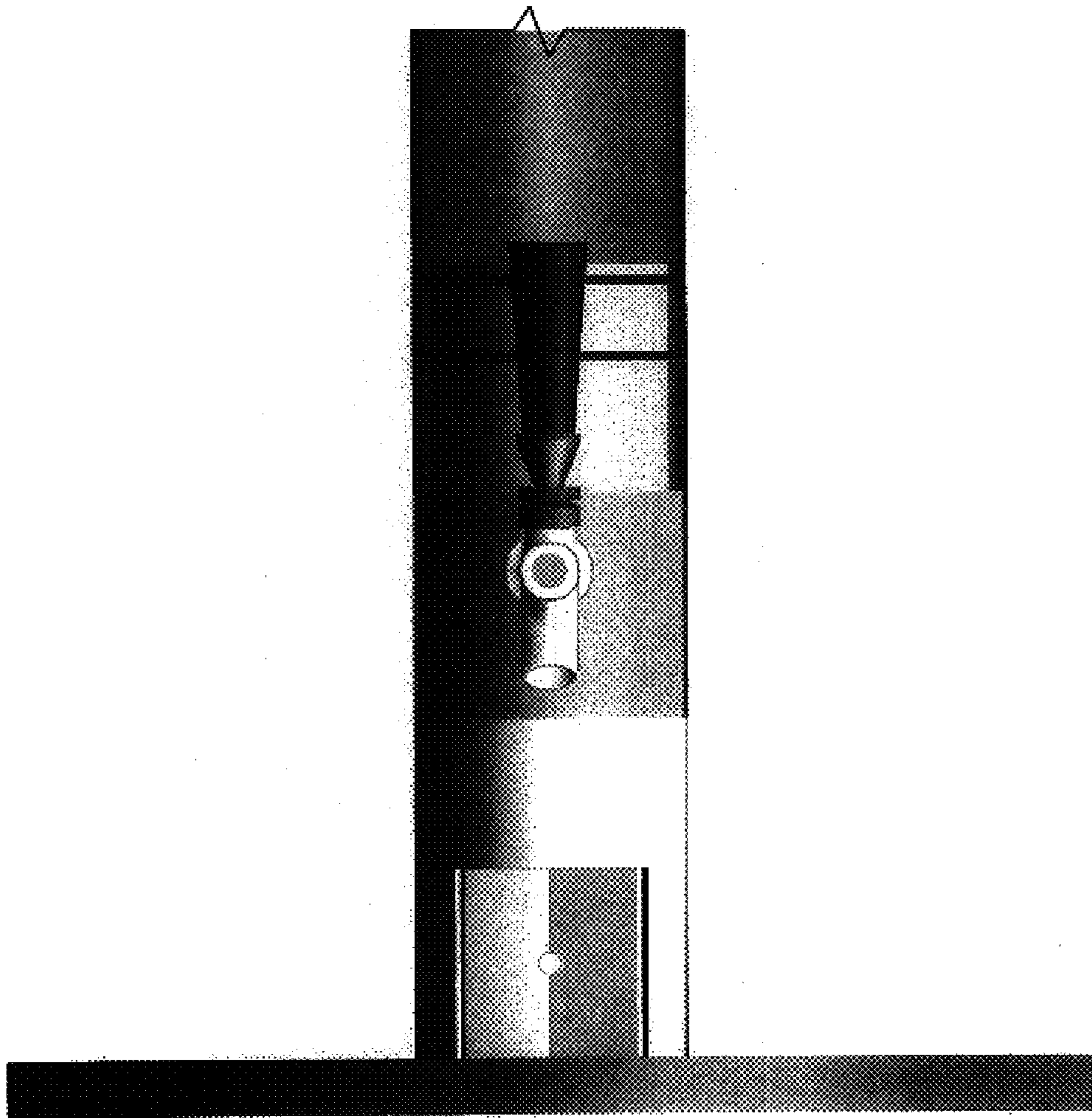


FIGURE 7