

US00D495909S1

(12) **United States Design Patent**
Astle

(10) **Patent No.:** **US D495,909 S**

(45) **Date of Patent:** **** Sep. 14, 2004**

(54) **TABLE TOP**

D404,219 S * 1/1999 Patterson D6/406.6
D414,966 S * 10/1999 Patel et al. D6/511

(75) **Inventor:** **Robert A. Astle**, Farmington, UT (US)

* cited by examiner

(73) **Assignee:** **Lifetime Products, Inc.**, Clearfield, UT (US)

Primary Examiner—Janice E. Seeger

(74) *Attorney, Agent, or Firm*—Workman Nydegger

(**) **Term:** **14 Years**

(57) **CLAIM**

(21) **Appl. No.:** **29/183,975**

The ornamental design for a table top, as shown and described.

(22) **Filed:** **Jun. 19, 2003**

DESCRIPTION

(51) **LOC (7) Cl.** **06-06**

(52) **U.S. Cl.** **D6/511**

(58) **Field of Search** D6/480–489, 495,
D6/497, 450, 451, 511, 406.3, 406.5, 406.6;
108/150, 153.1, 158, 155, 156, 157.1, 161,
25; D7/553.1, 553.2, 553.5

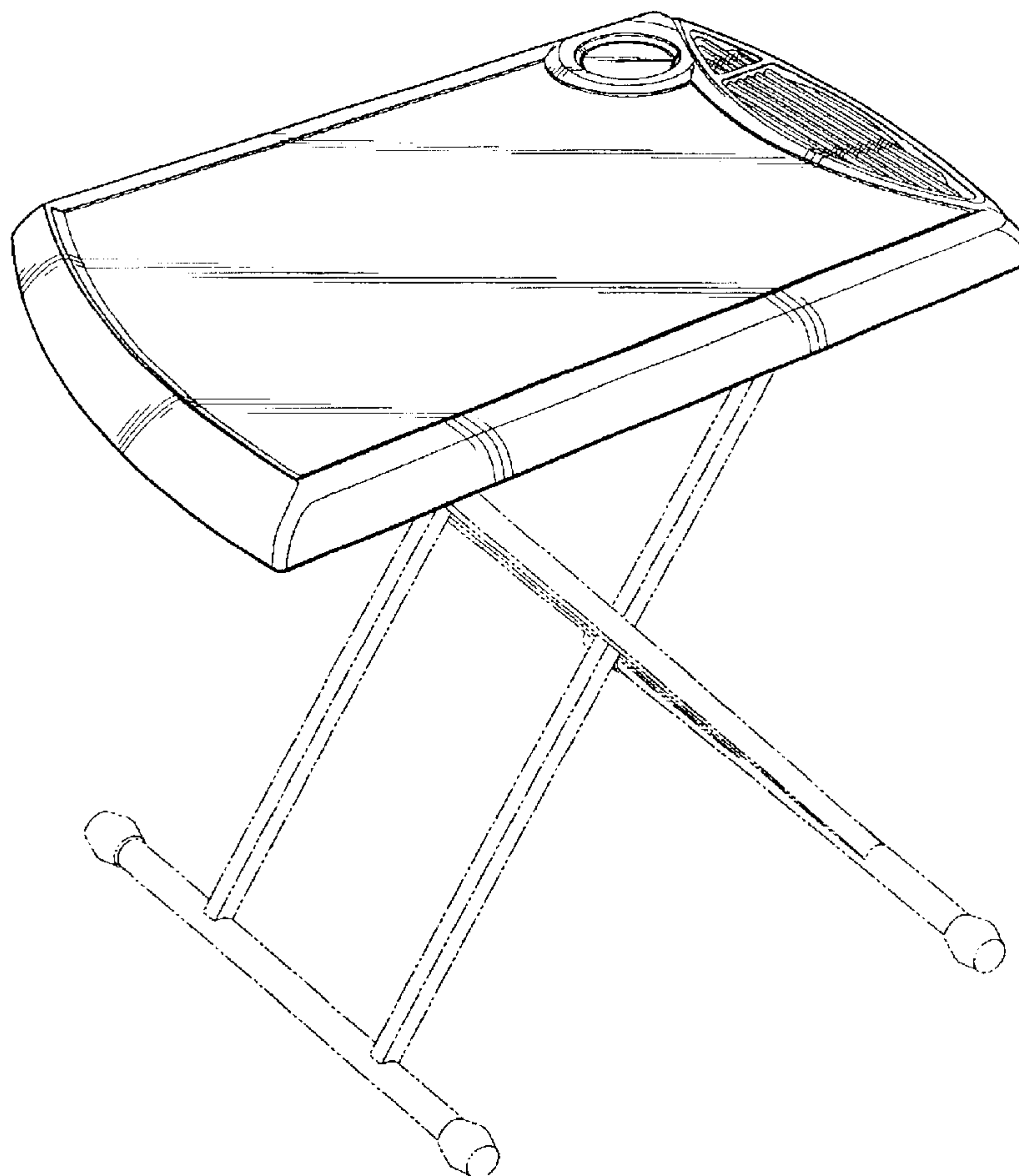
FIG. 1 is a perspective view of a table top;
FIG. 2 is a top view of the table top shown in FIG. 1;
FIG. 3 is a bottom view of the table top shown in FIG. 1;
FIG. 4 is a front view of the table top shown in FIG. 1, with
the back view being a mirror image thereof;
FIG. 5 is a left side view of the table top shown in FIG. 1;
and,
FIG. 6 is a right side view of the table top shown in FIG. 1.
The broken lines are for illustrative purposes only and form
no part of the claimed design.

(56) **References Cited**

U.S. PATENT DOCUMENTS

D193,244 S * 7/1962 Bliss D6/406.6
D377,273 S * 1/1997 Amos D6/406.6

1 Claim, 3 Drawing Sheets



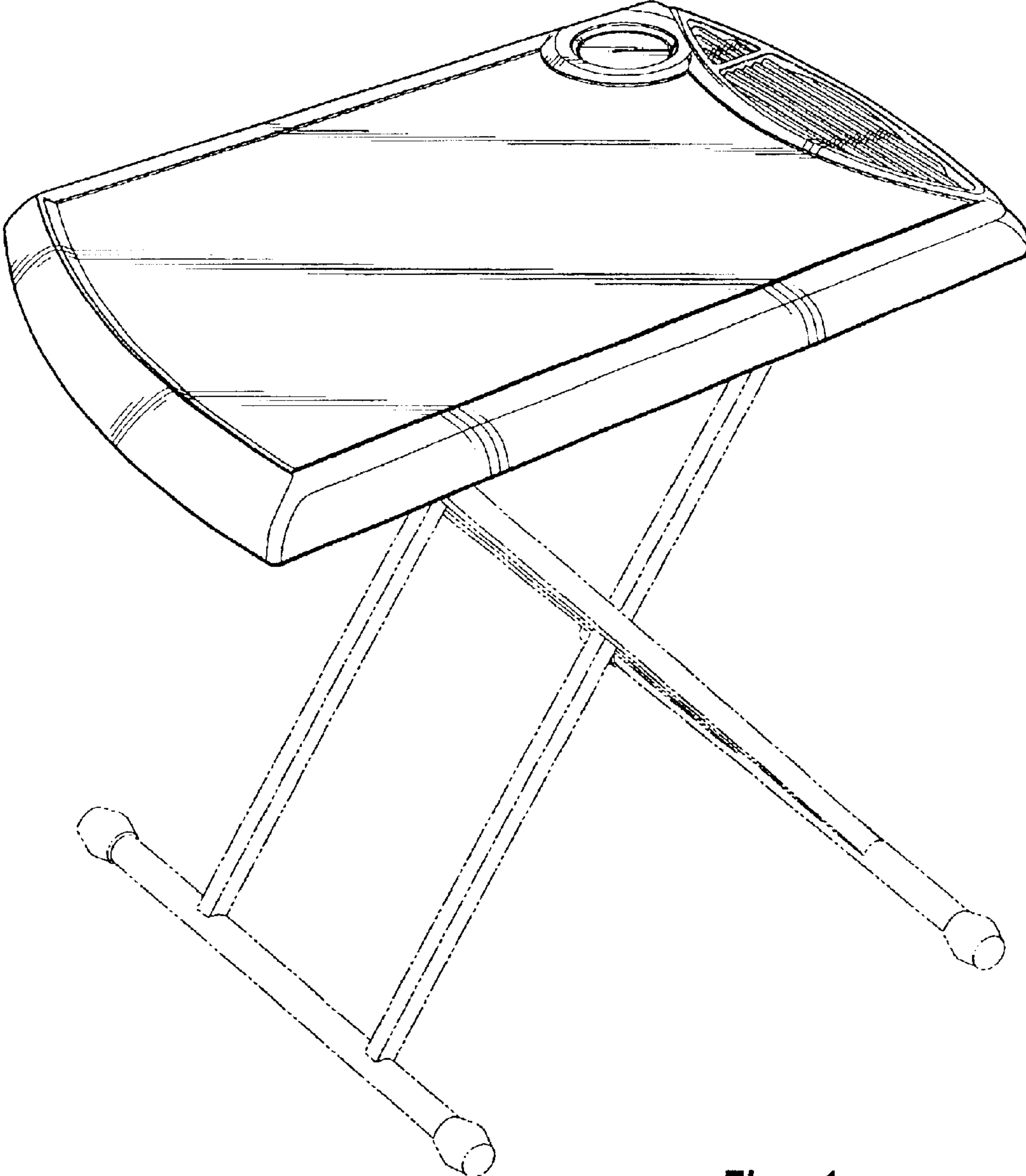


Fig. 1

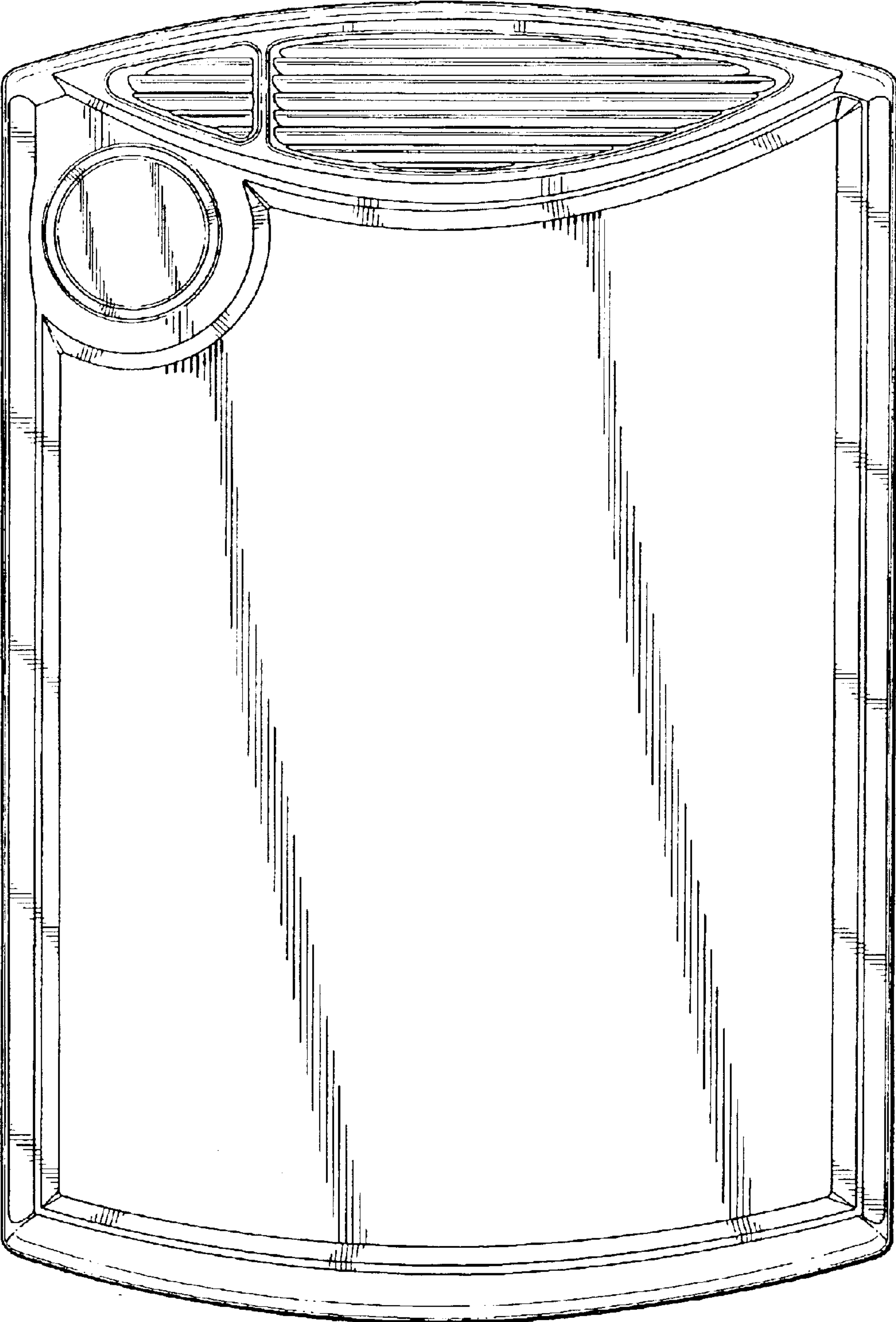


Fig. 2

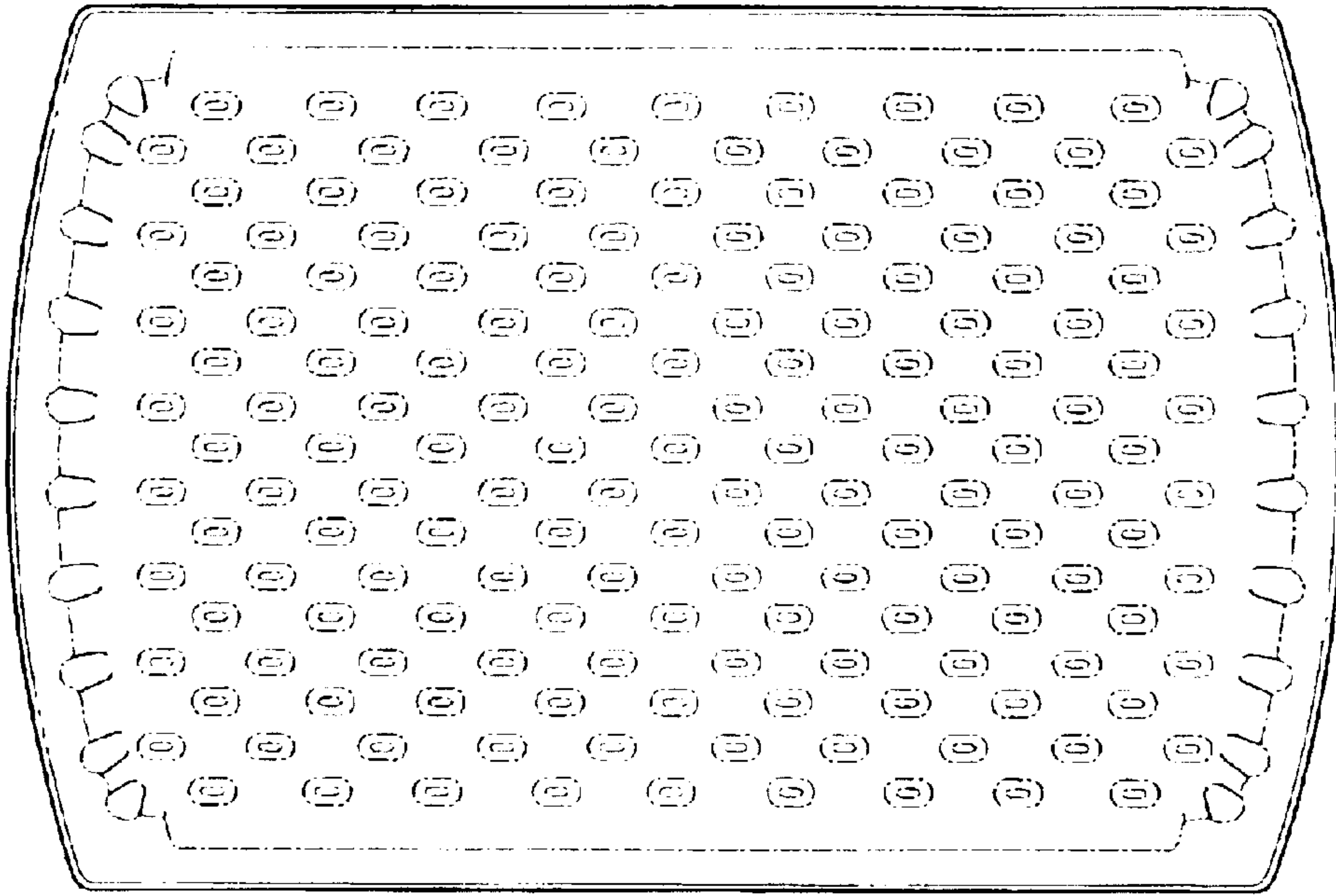


Fig. 3

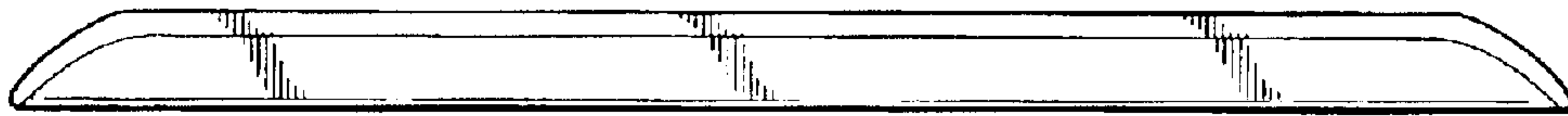


Fig. 4

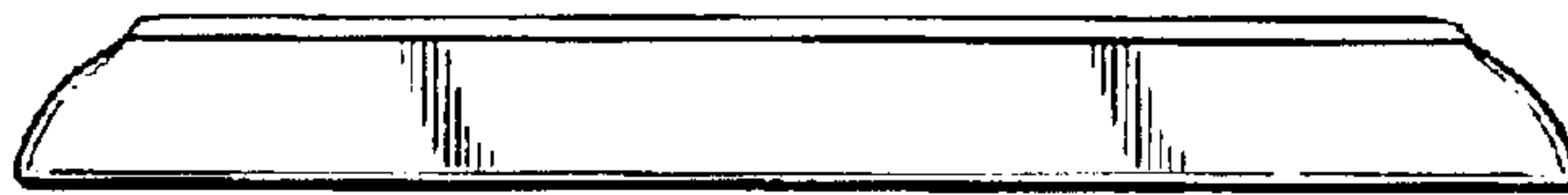


Fig. 5

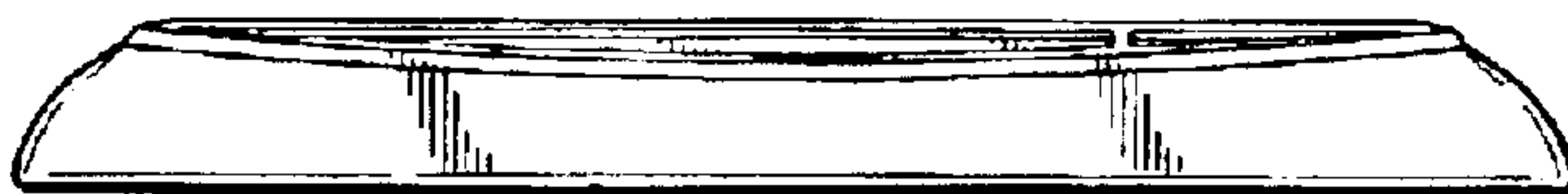


Fig. 6