



US00D495907S1

(12) **United States Design Patent** (10) **Patent No.:** **US D495,907 S**
True (45) **Date of Patent:** **** Sep. 14, 2004**

(54) **BACK AND SEAT CUSHIONS FOR A CHAIR**

(75) Inventor: **Alan L. True**, San Juan Capistrano, CA (US)

(73) Assignee: **True Seating Concepts, LLC**, Mauritius

(**) Term: **14 Years**

(21) Appl. No.: **29/195,894**

(22) Filed: **Dec. 19, 2003**

(51) **LOC (7) Cl.** **06-01**

(52) **U.S. Cl.** **D6/500; D6/366; D6/502**

(58) **Field of Search** D6/334, 335, 364, D6/365, 366, 367, 500, 501, 502; 297/411.2, 411.27

(56) **References Cited**

U.S. PATENT DOCUMENTS

D372,799 S	*	8/1996	Orians et al.	D6/366
D374,779 S	*	10/1996	Feldberg	D6/366
D414,631 S	*	10/1999	Zaidman	D6/500
D431,921 S	*	10/2000	Hammer	D6/366
D441,993 S	*	5/2001	Lin	D6/500
D467,747 S	*	12/2002	Zaidman	D6/365

* cited by examiner

Primary Examiner—Gary D. Watson
(74) *Attorney, Agent, or Firm*—Morland C. Fischer

(57) **CLAIM**

The ornamental design for back and seat cushions for a chair, as shown and described.

DESCRIPTION

FIG. 1 is a perspective view showing the top, left side and front of a chair having the back and seat cushions which form my new design, the broken lines of other parts of the chair in this and other figures being for illustrative purposes only and forming no part of the claimed design;

FIG. 2 is a perspective view showing the top, left side and rear thereof;

FIG. 3 is a front elevational view;

FIG. 4 is a right side elevational view thereof;

FIG. 5 is a rear elevational view thereof;

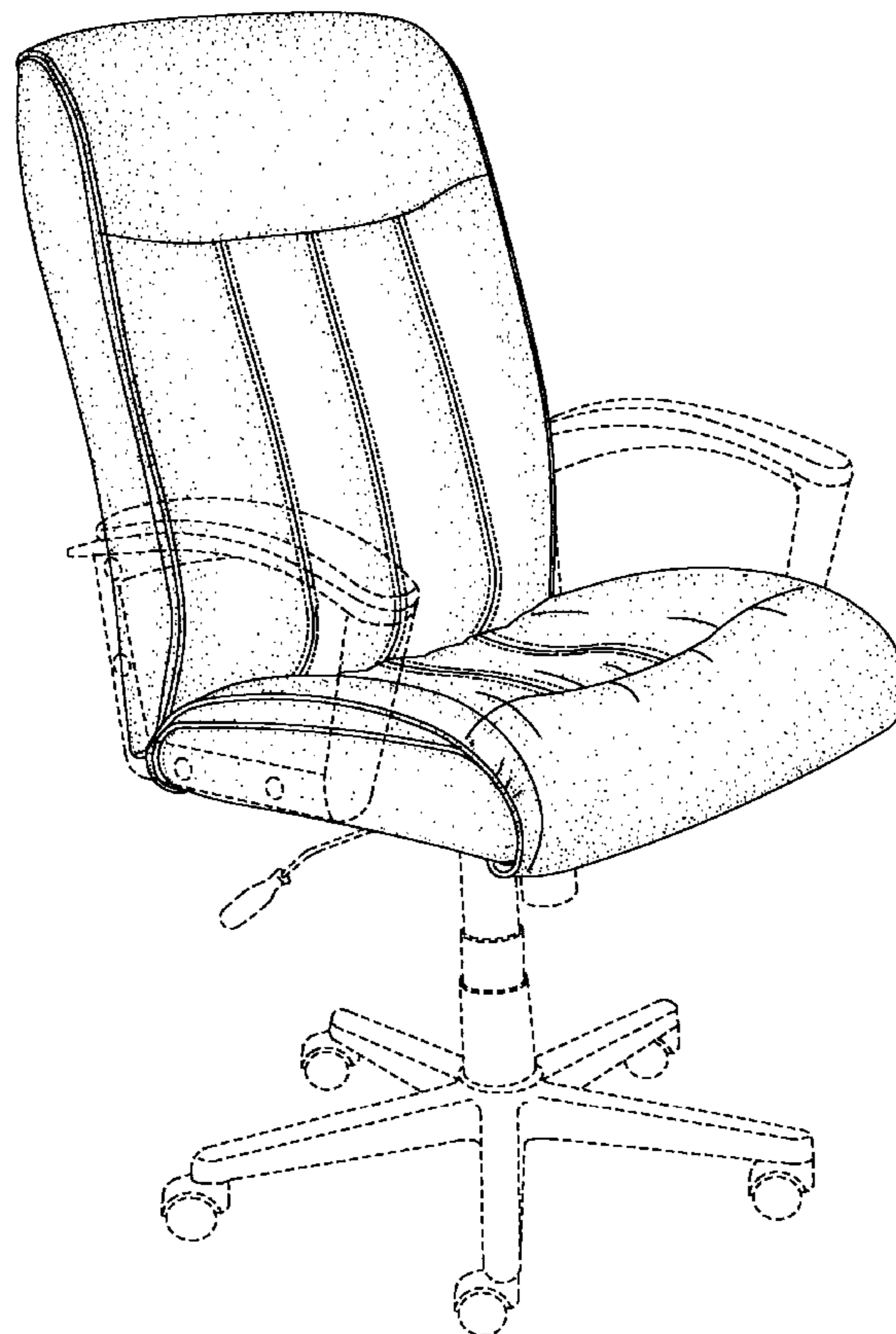
FIG. 6 is a left side elevational view thereof;

FIG. 7 is a top plan view thereof; and,

FIG. 8 is a bottom plan view thereof.

The broken lines shown along each side of the vertical seam lines in the central section of the seat and backrest of FIGS. 1, 3 and 7 are understood to represent stitching.

1 Claim, 4 Drawing Sheets



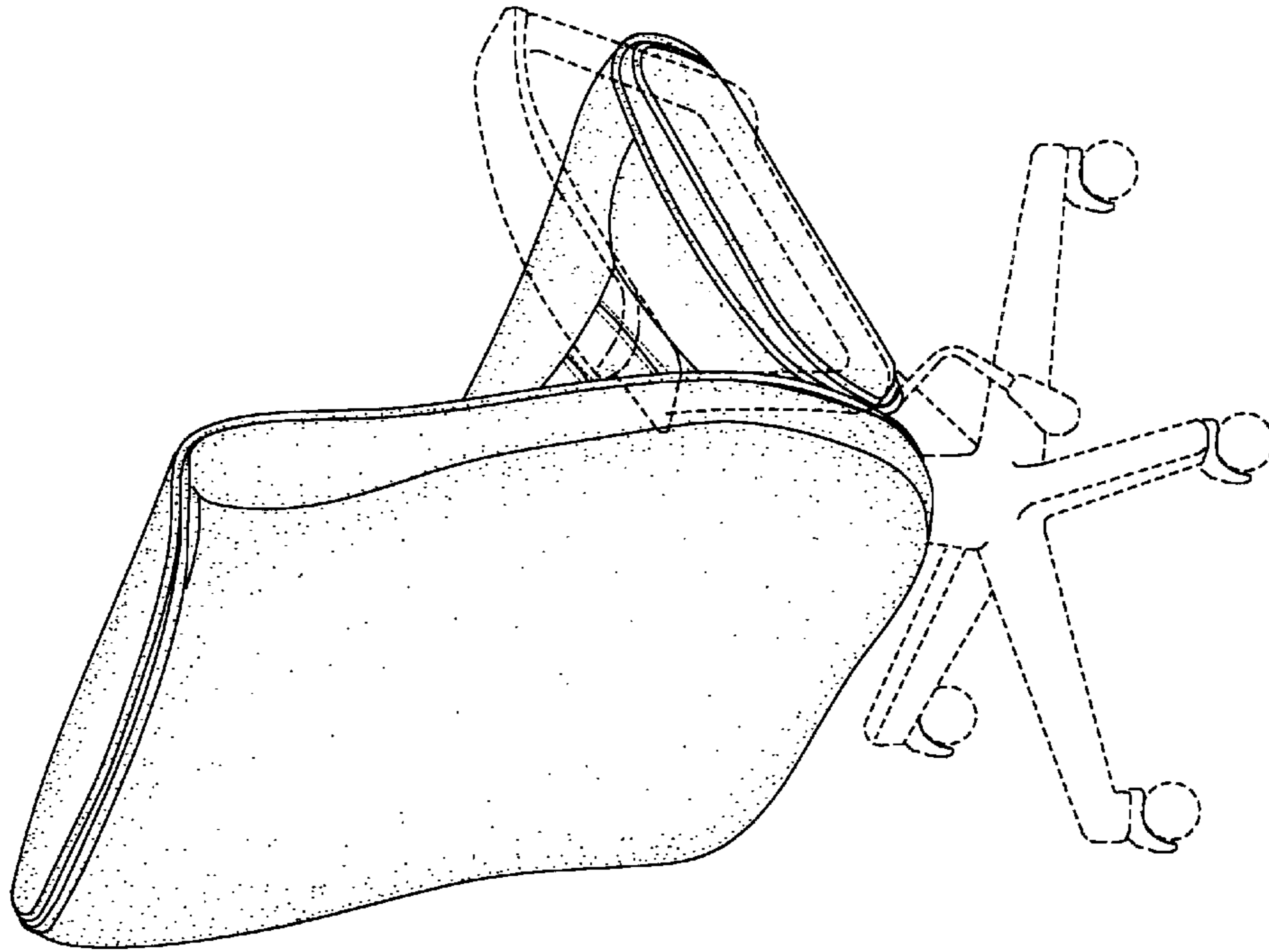


Fig. 2

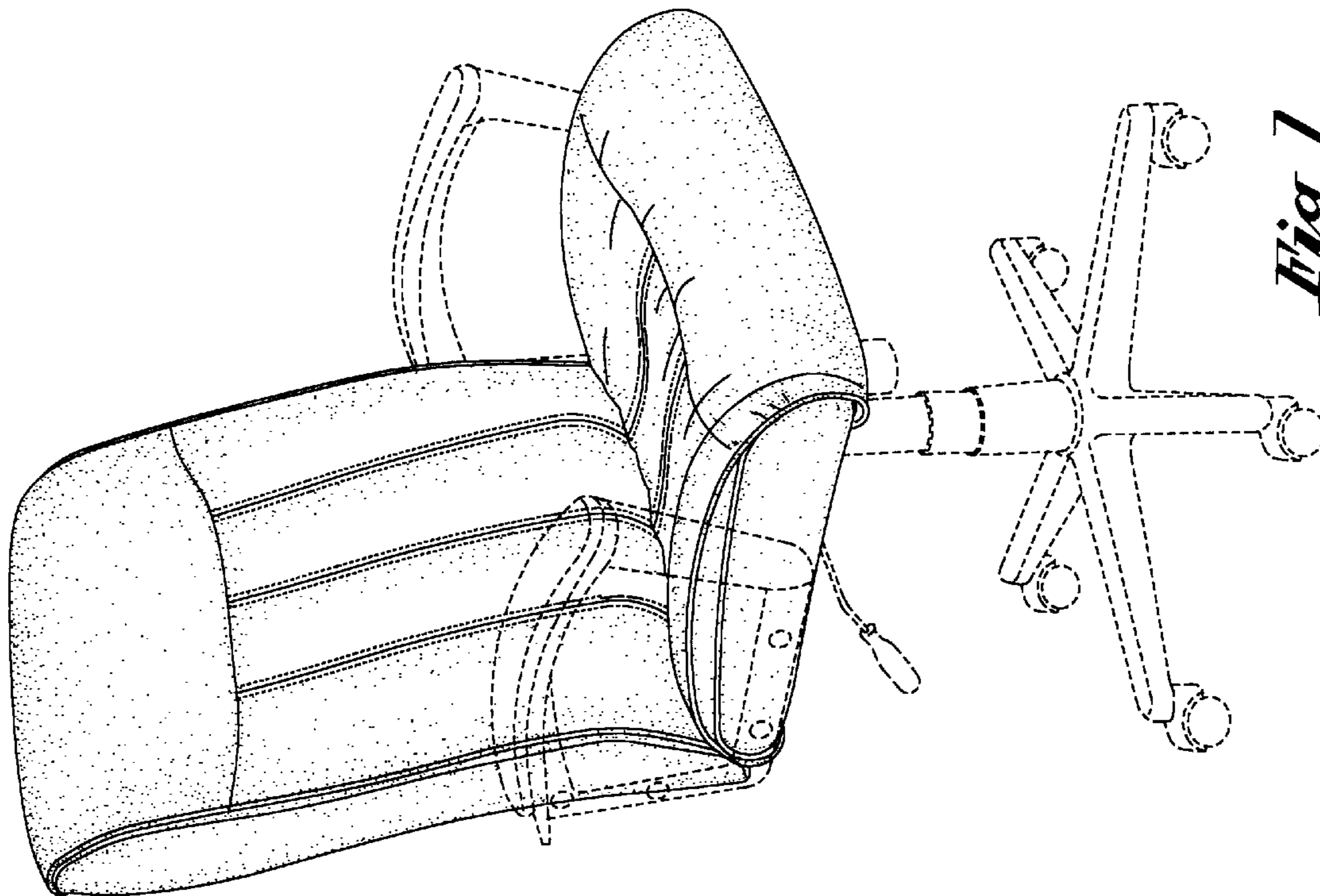


Fig. 1

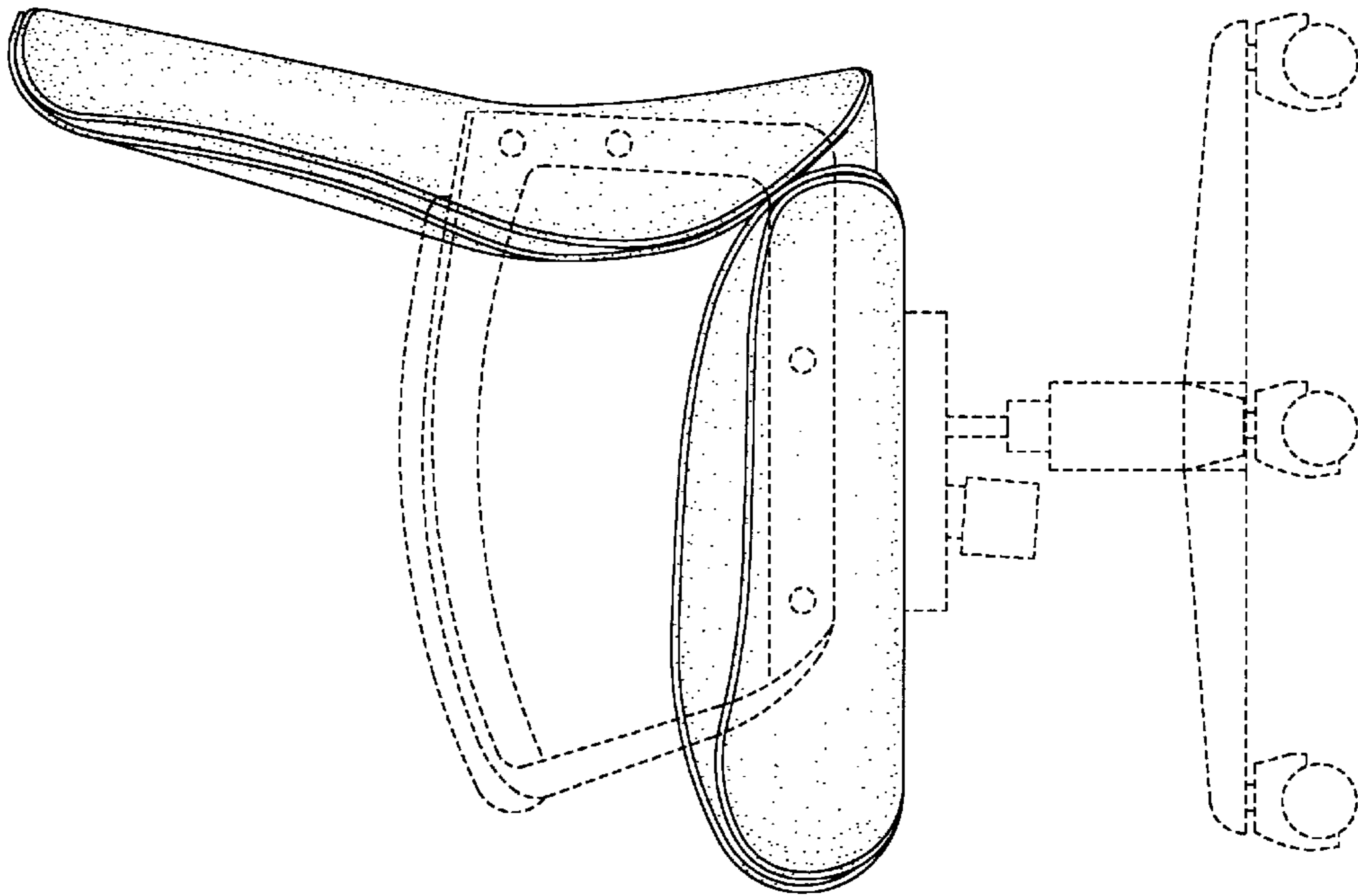


Fig. 4

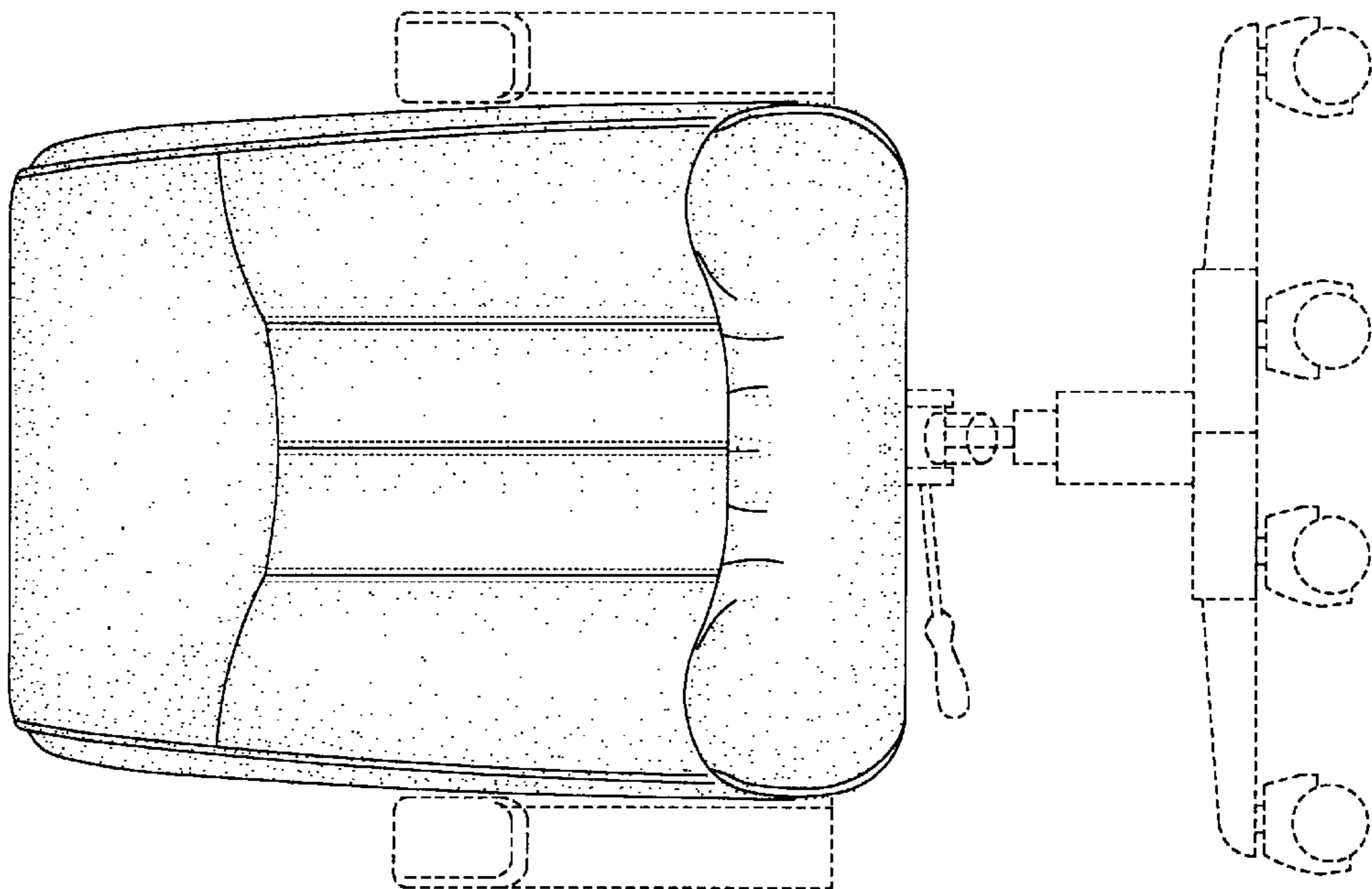


Fig. 3

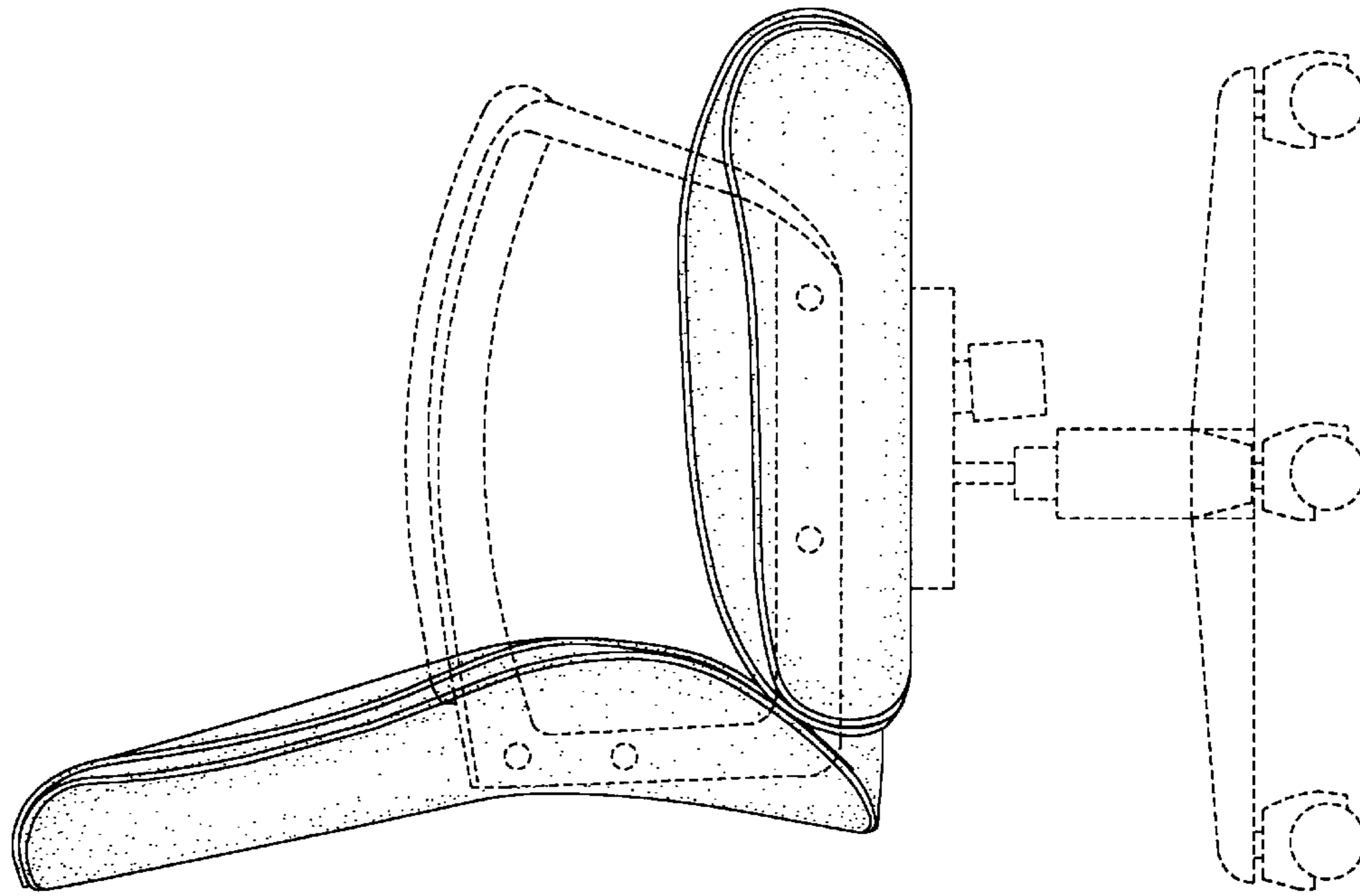


Fig. 5

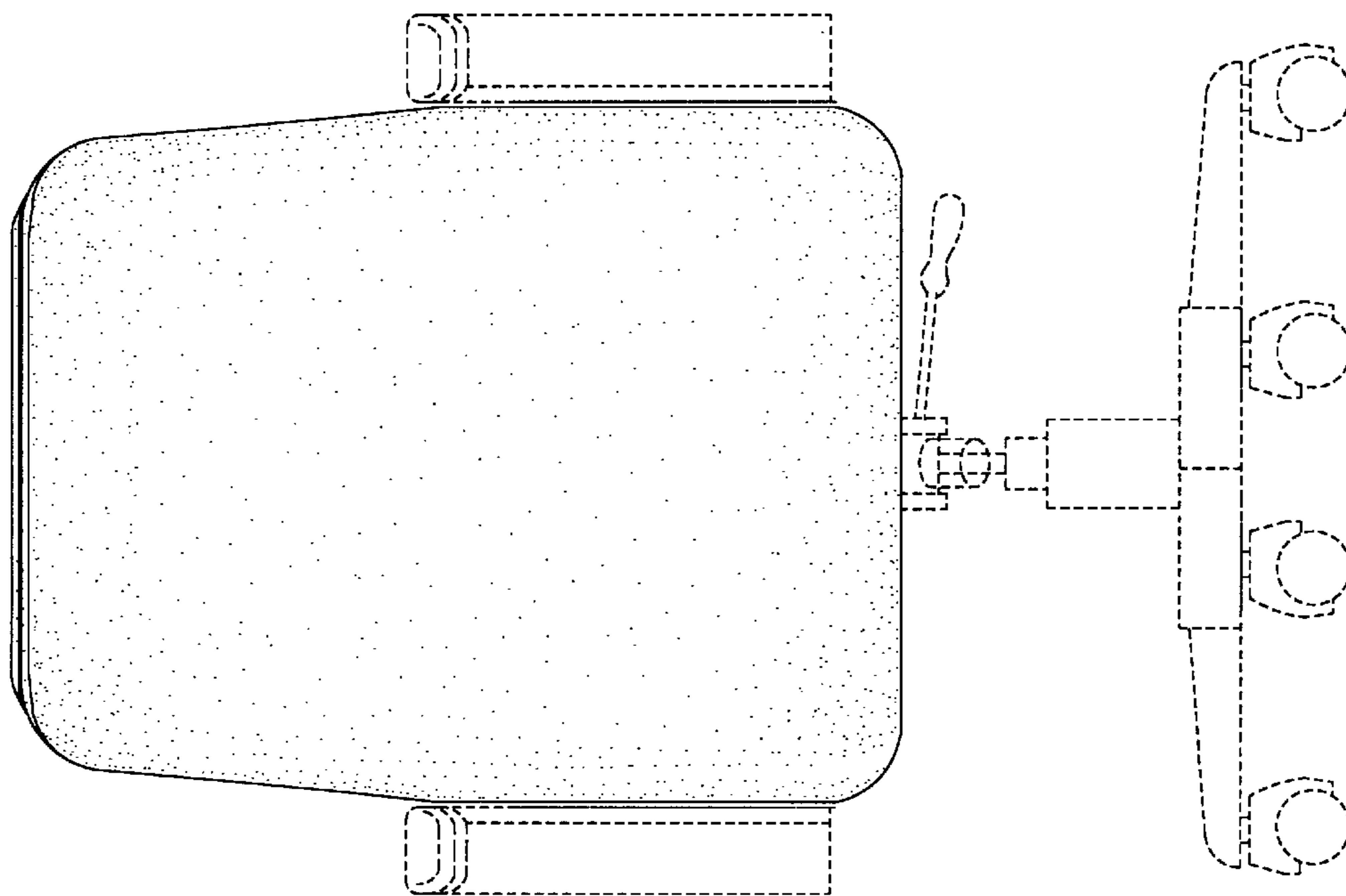


Fig. 6

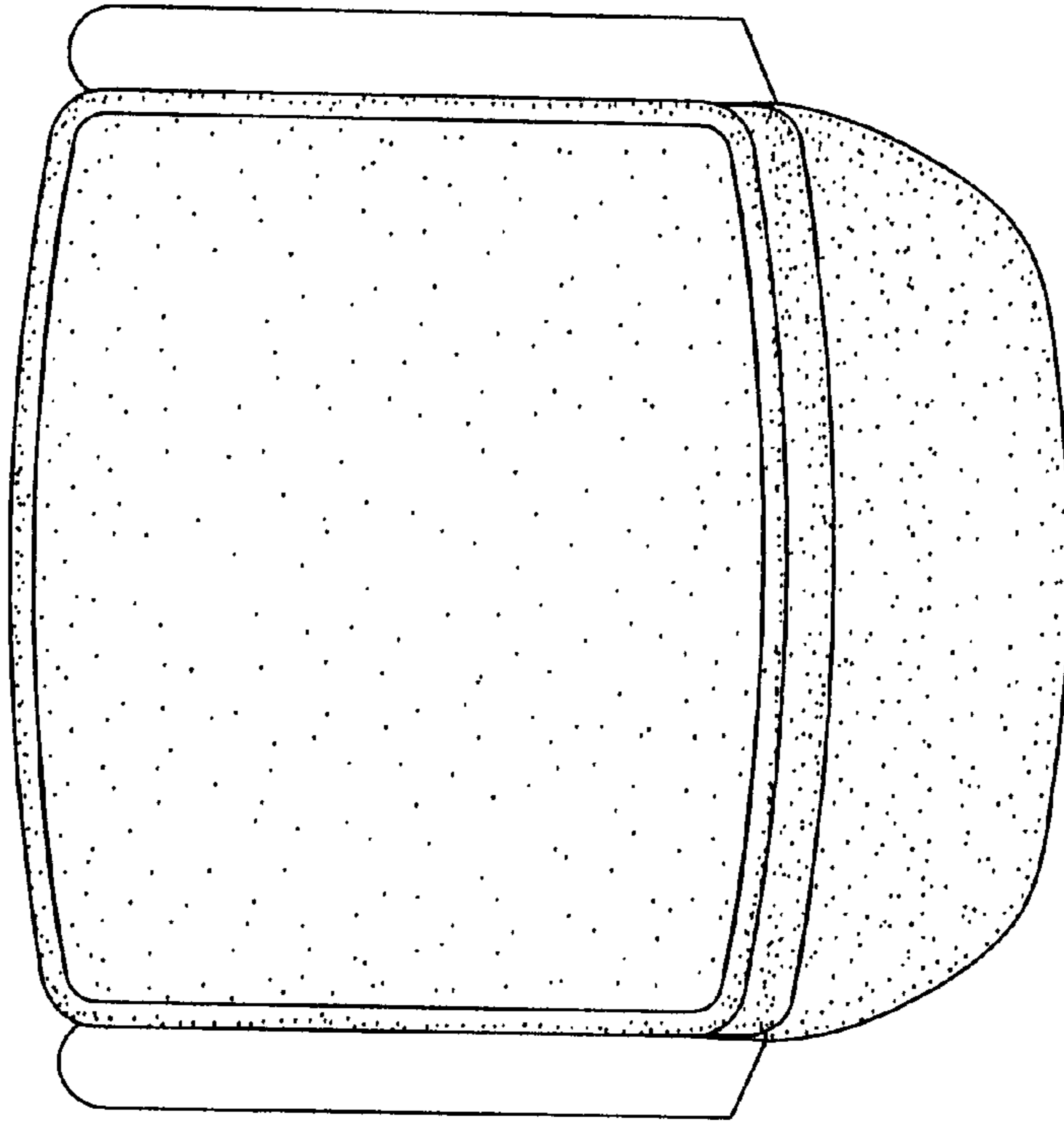


Fig. 8

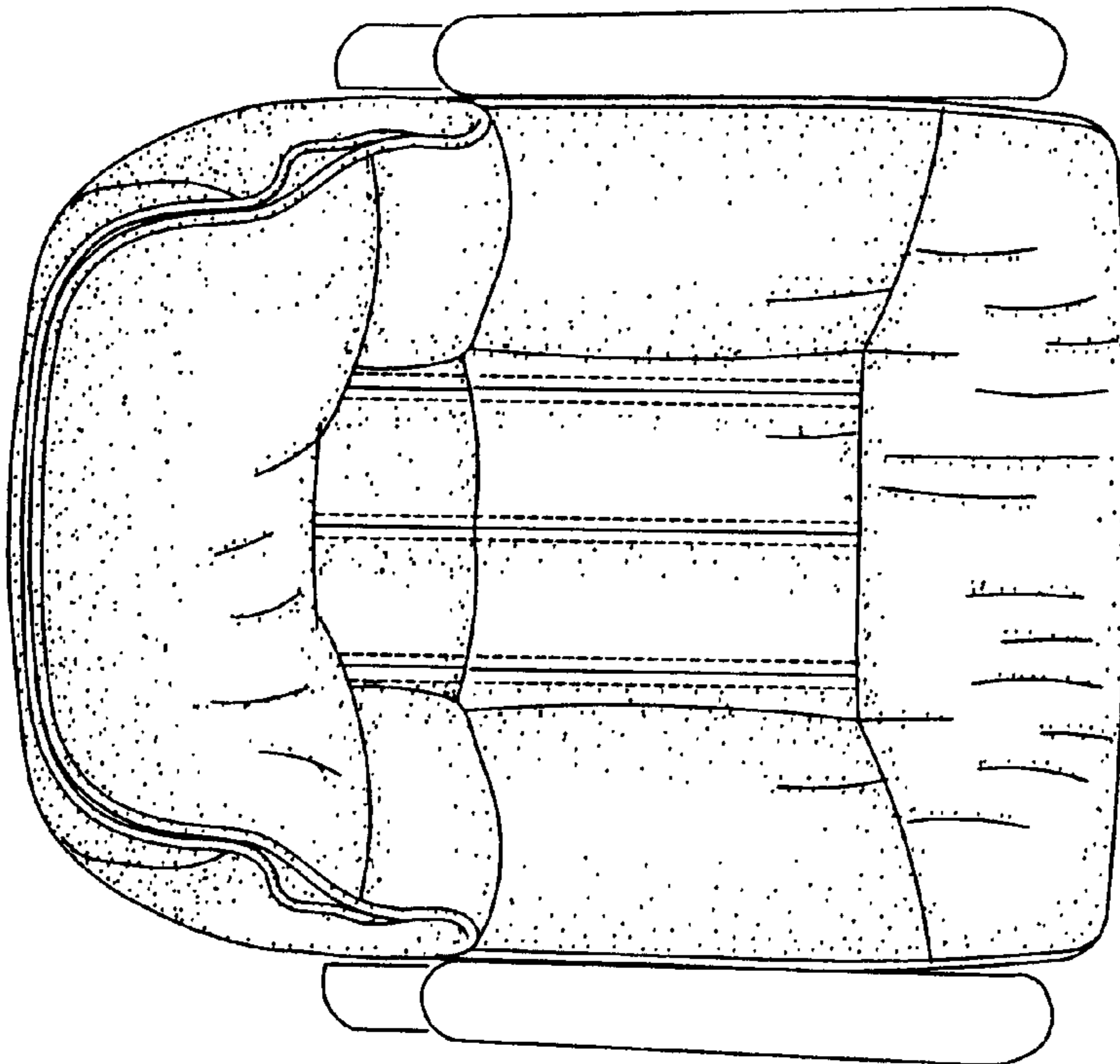


Fig. 7