

US00D495905S1

(12) **United States Design Patent** (10) **Patent No.:** **US D495,905 S**
Lucci et al. (45) **Date of Patent:** **** Sep. 14, 2004**

(54) **CHAIR SEAT** D390,024 S 2/1998 DeJule
D411,928 S 7/1999 Ritch et al.
(75) Inventors: **Roberto Lucci**, Como (IT); **Paolo** 5,924,770 A 7/1999 Tarney et al.
Orlandini, Milan (IT) D417,102 S 11/1999 Vanderwood et al.
6,003,948 A 12/1999 Holbrook
(73) Assignee: **Ditto Sales, Inc.**, Jasper, IN (US) D442,805 S 5/2001 McDiarmid
D461,348 S * 8/2002 Holbrook et al. D6/500
(**) Term: **14 Years** D462,535 S * 9/2002 Lucci et al. D6/373
D477,925 S * 8/2003 Lucci et al. D6/366

(21) Appl. No.: **29/183,852**

(22) Filed: **Jun. 18, 2003**

Related U.S. Application Data

(62) Division of application No. 29/181,799, filed on May 15, 1963, which is a division of application No. 29/162,122, filed on Jun. 10, 2002, now Pat. No. Des. 477,925, which is a division of application No. 29/131,598, filed on Oct. 25, 2000, now Pat. No. Des. 462,535.

(51) **LOC (7) Cl.** **06-01**

(52) **U.S. Cl.** **D6/500; D6/502**

(58) **Field of Search** D6/334, 335, 364, D6/365, 366, 367, 373, 374, 375, 379, 380, 500, 501, 502; 297/DIG. 2

(56) **References Cited**

U.S. PATENT DOCUMENTS

D243,572 S	3/1977	Offredi	
D246,813 S	1/1978	Tolleson	
4,744,603 A	5/1988	Knoblock	
5,076,646 A	12/1991	Matte	
D328,984 S	9/1992	Marini	
D333,044 S	2/1993	Caruso	
D346,072 S	4/1994	Zapf	
5,314,240 A	5/1994	Ishi et al.	
D347,740 S	6/1994	Locher	
5,338,099 A	8/1994	Ishi et al.	
D365,453 S	* 12/1995	Newhouse D6/366
D367,185 S	2/1996	Olson	
D374,129 S	10/1996	Timmons	
5,580,127 A	12/1996	Piretti	

OTHER PUBLICATIONS

Versteel Chela catalog, p. 4. Chairs shown.
J.C. Penny "Big Book Catalog", Winter 2000, p. 959, USA.
Teknion, Internet product information, Teknion dhatma, http://www.teknion.com/products.features/fb_dhama_g.asp, undated.

* cited by examiner

Primary Examiner—Gary D. Watson

(74) *Attorney, Agent, or Firm*—Maginot, Moore & Beck

(57) **CLAIM**

The ornamental design for a chair seat, as shown and described.

DESCRIPTION

FIG. 1 is a perspective view of a chair seat showing our new design.

FIG. 2 is a front view of our chair seat shown with arms in broken lines for illustrated purposes only.

FIG. 3 is a perspective view of our chair seat mounted on an alternative frame.

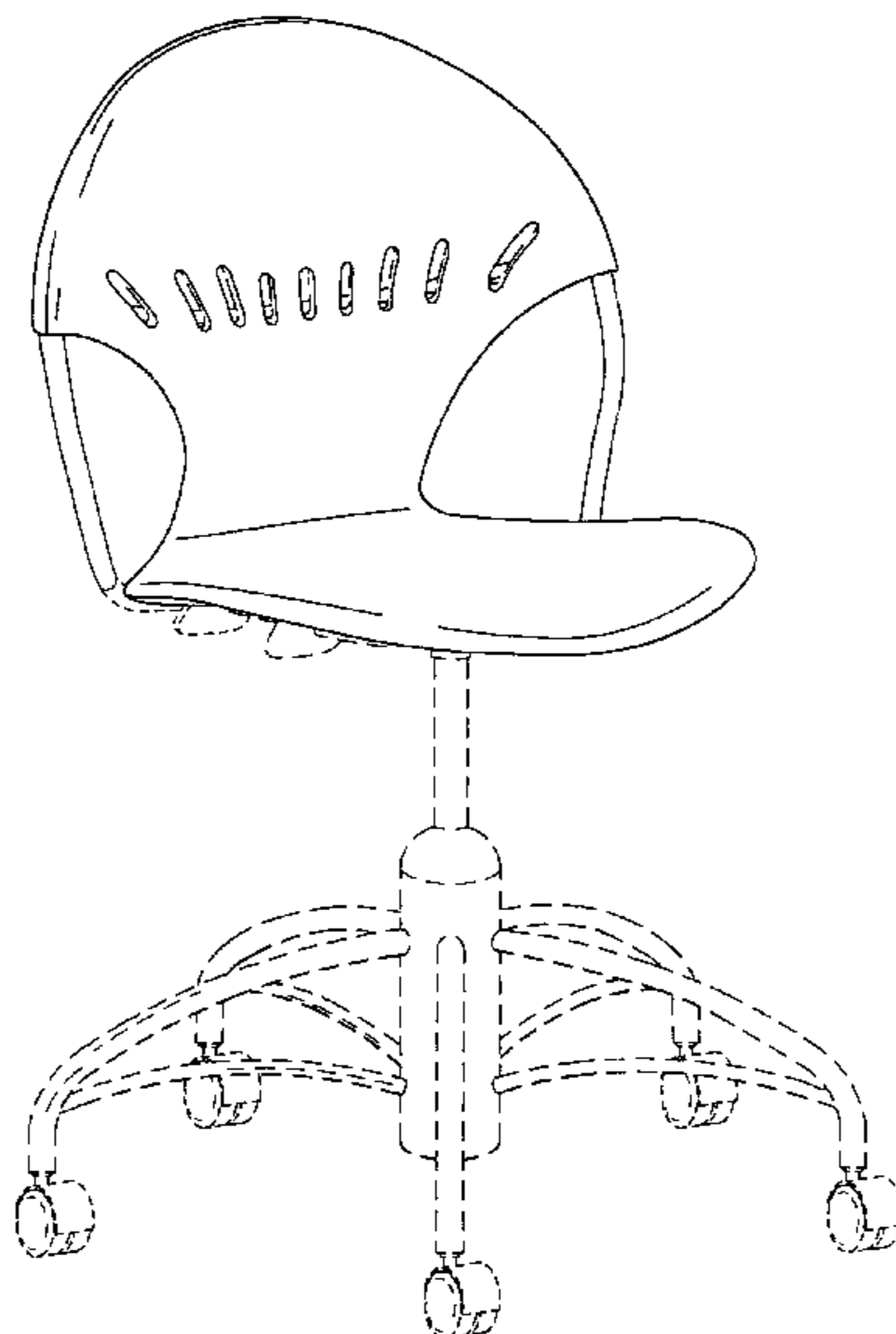
FIG. 4 is a front elevational view of the chair seat shown in FIG. 3.

FIG. 5 is a side elevational view of the chair seat shown in FIG. 3; and,

FIG. 6 is a rear elevational view of the chair seat shown in FIG. 3.

Broken lines are also used to define boundaries.

1 Claim, 6 Drawing Sheets



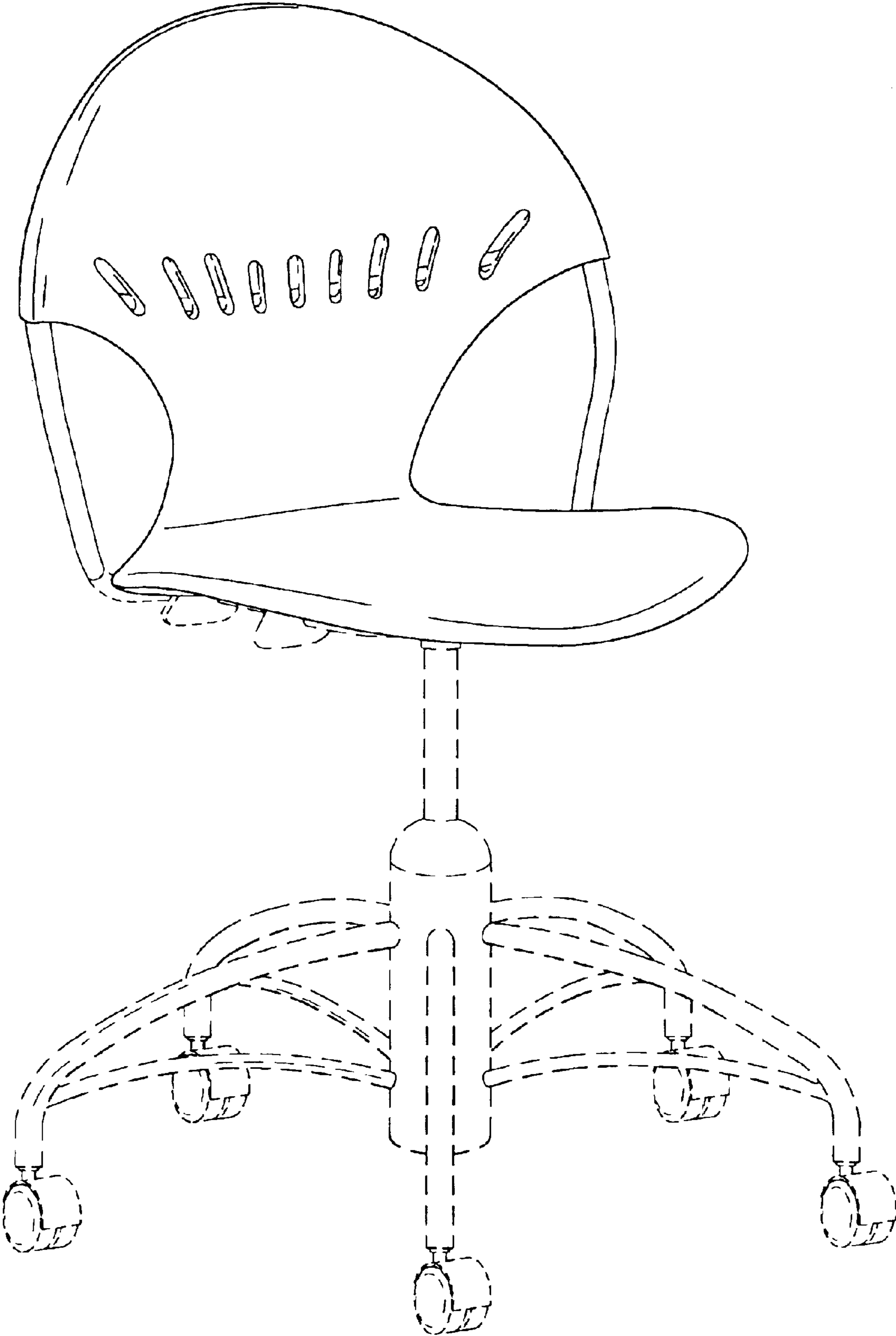


Fig. 1

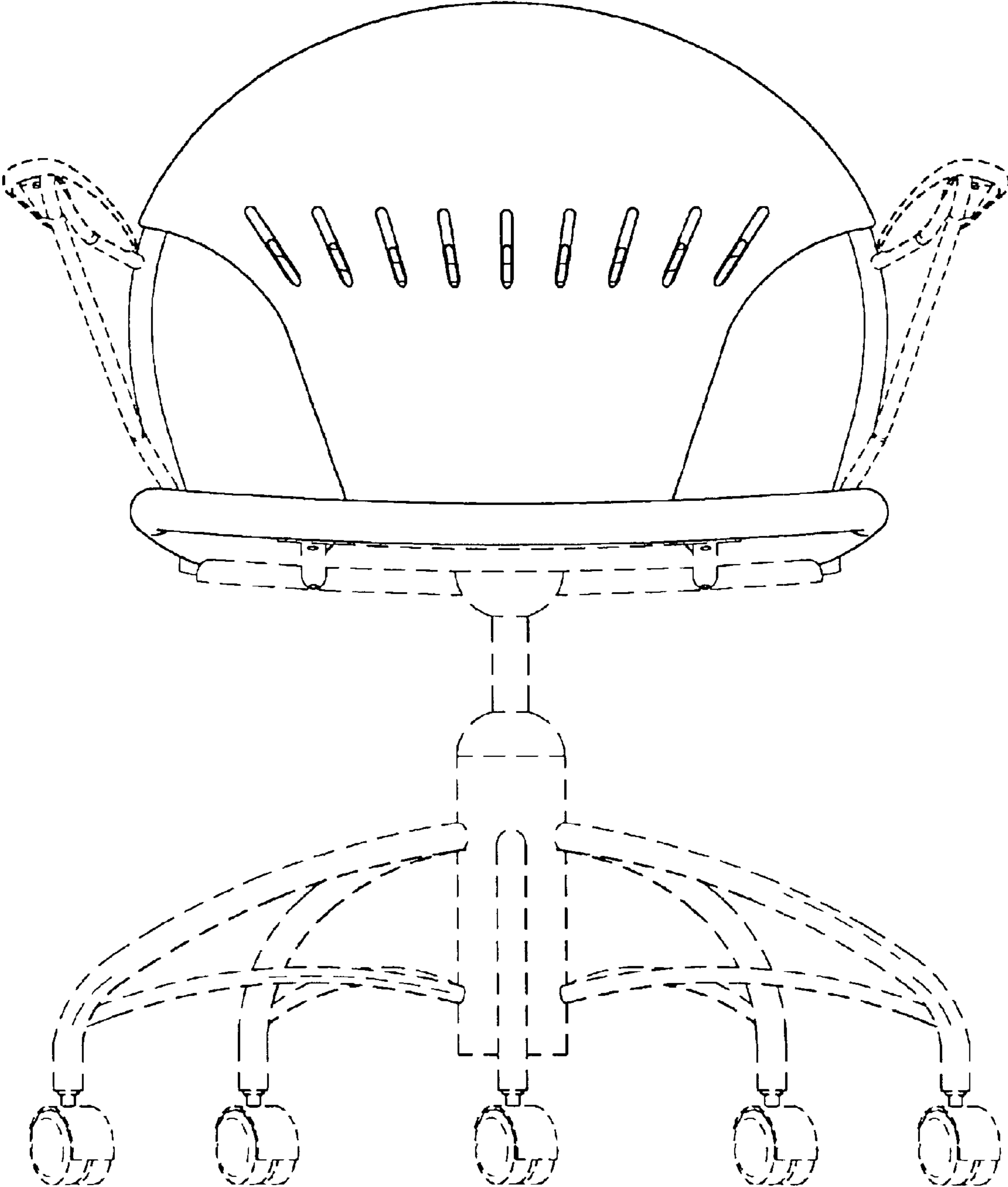


Fig 2

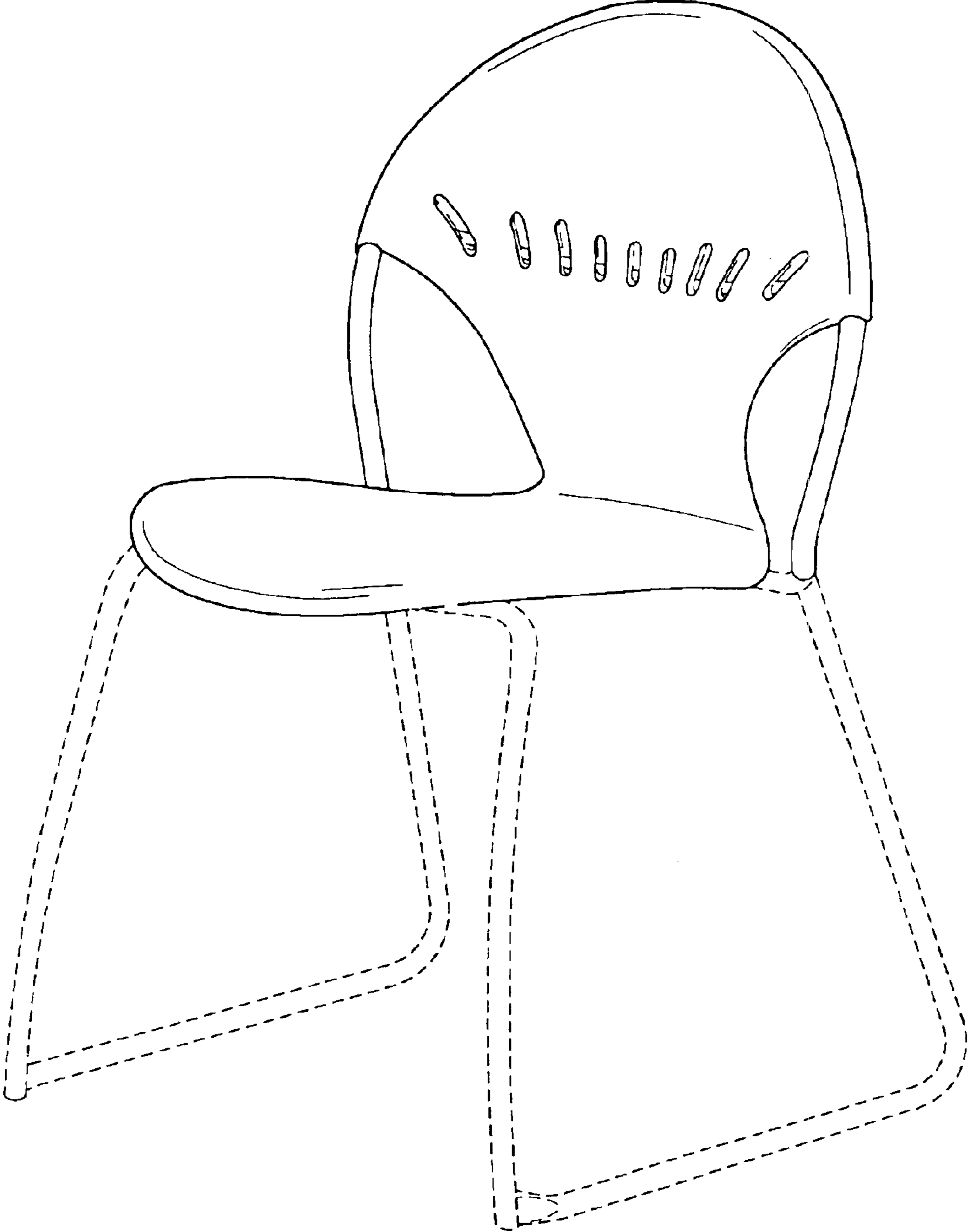


Fig. 3

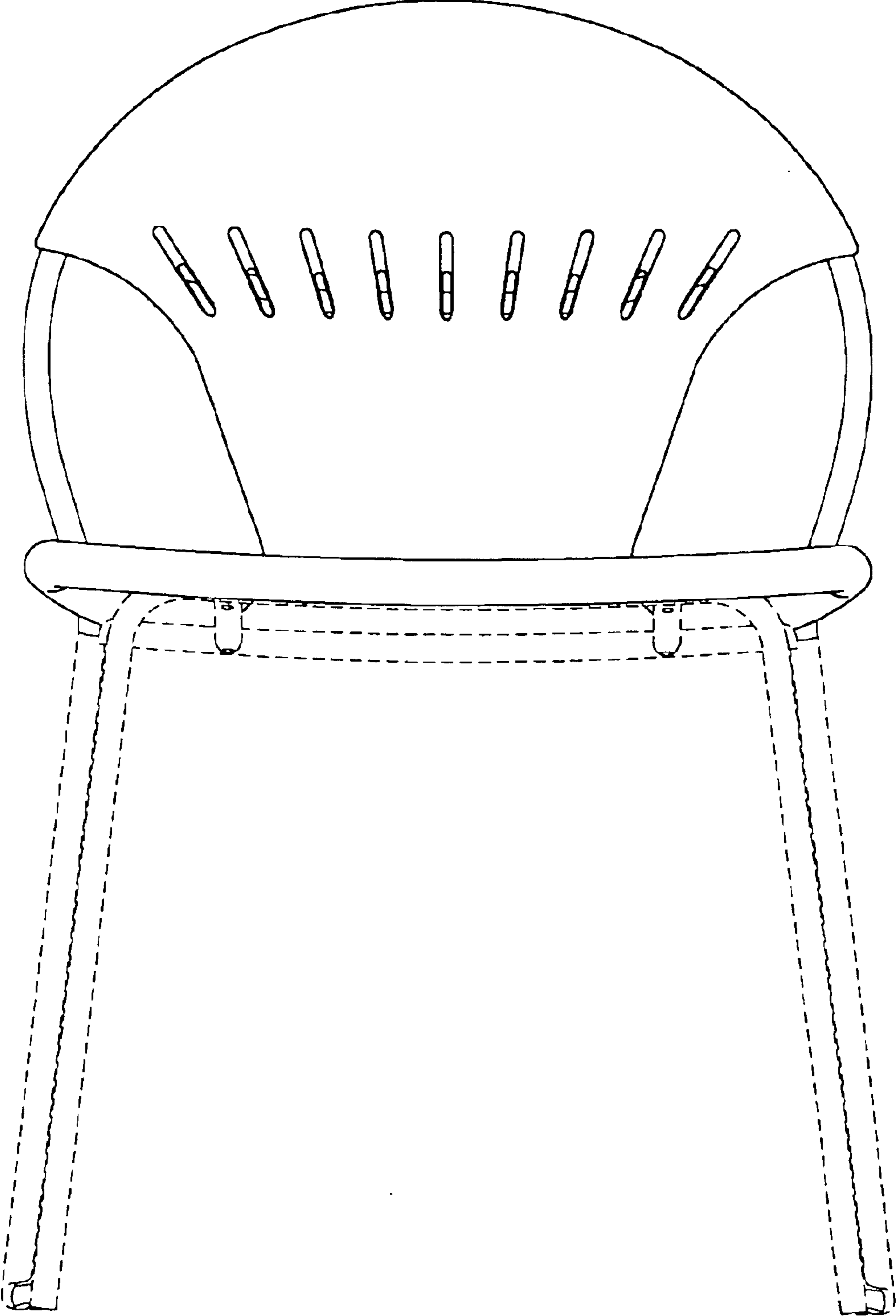


Fig. 4

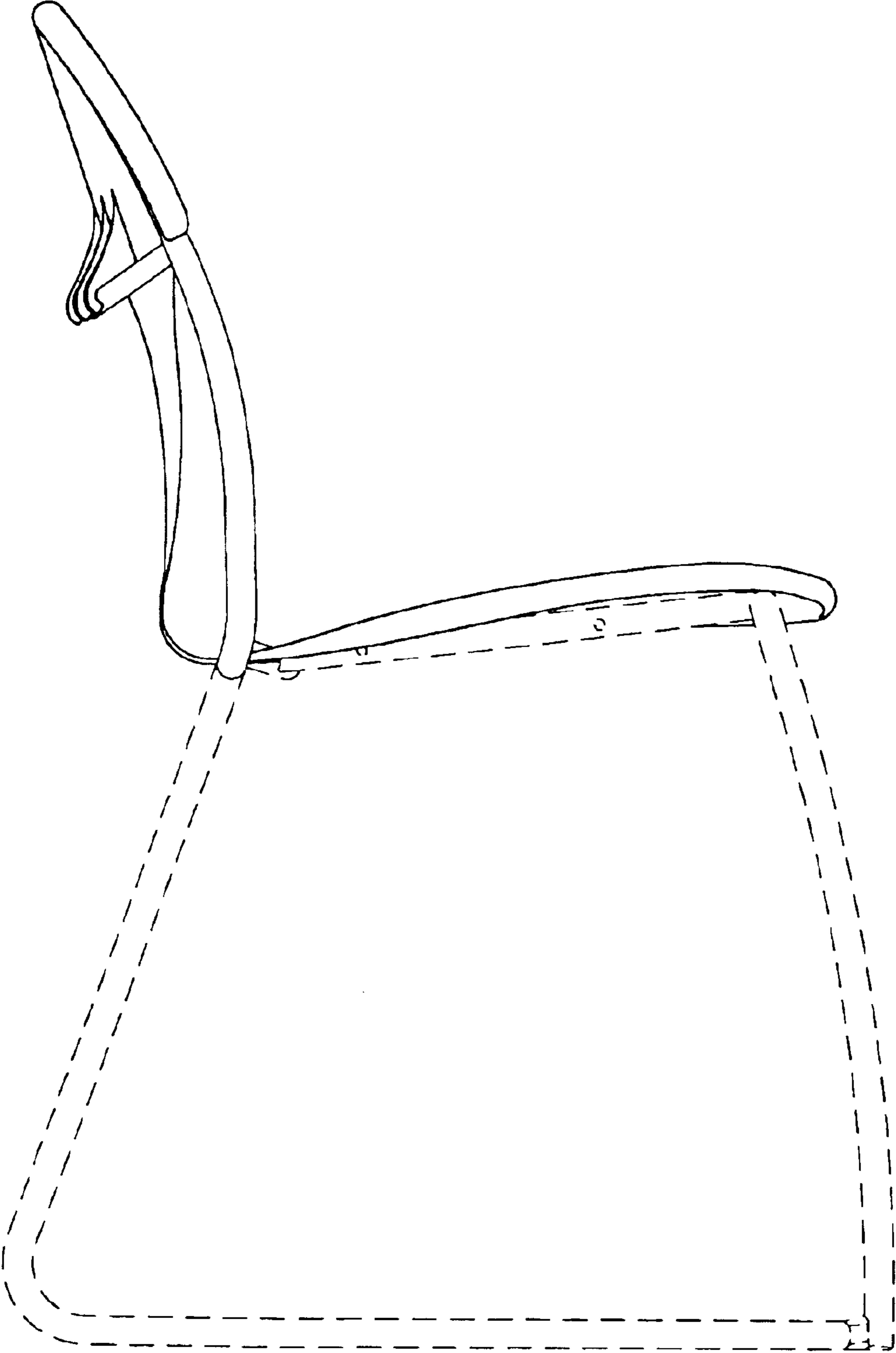


Fig. 5

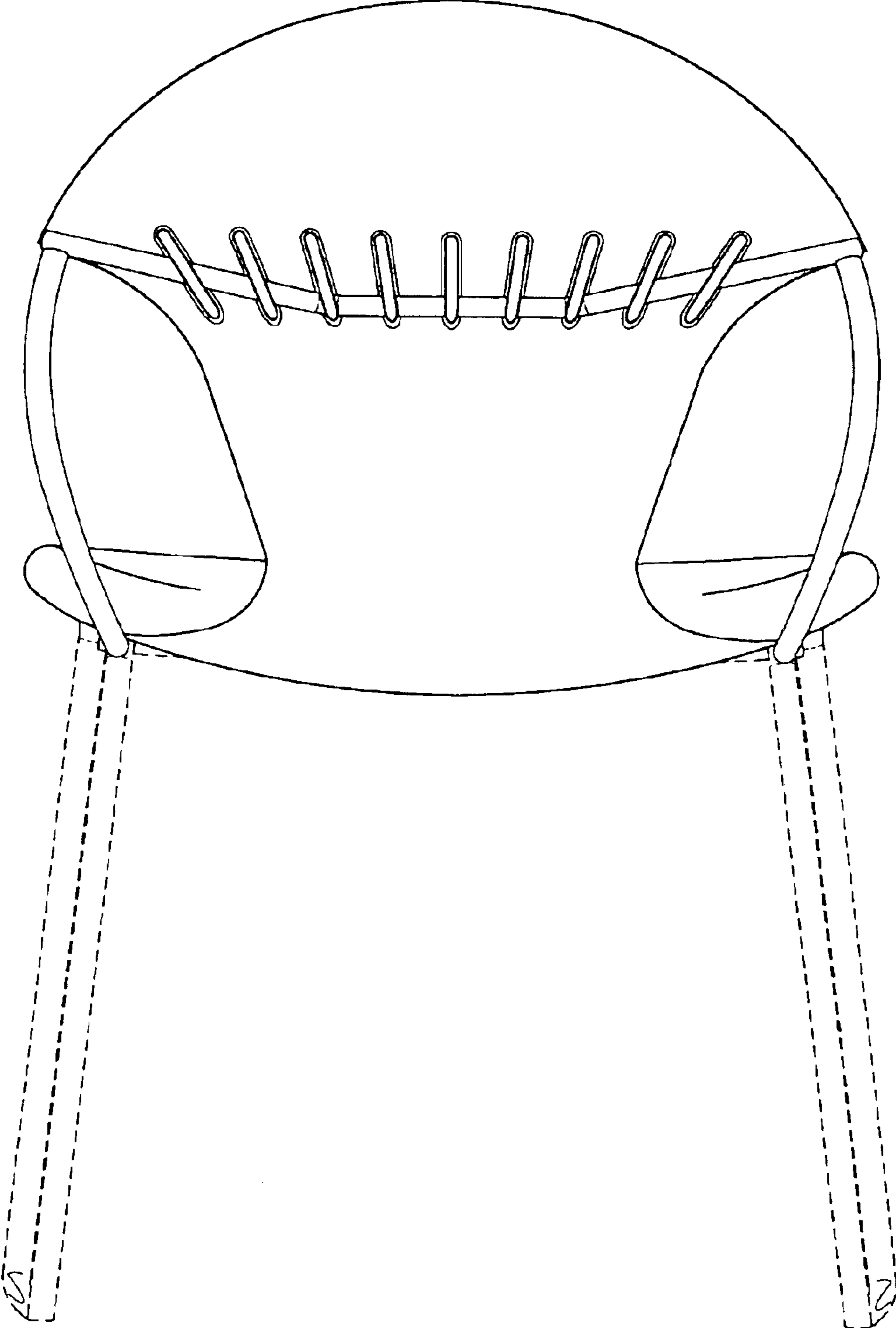


Fig. 6