

US00D495903S1

(12) **United States Design Patent** (10) **Patent No.:** **US D495,903 S**
Relling et al. (45) **Date of Patent:** **** Sep. 14, 2004**

(54) **SEATING UNIT SIDE MEMBER**

D401,078 S * 11/1998 Relling D6/381
 D442,375 S * 5/2001 Stammberger D6/335
 D474,905 S * 5/2003 Ricci D6/381

(75) Inventors: **Harald Relling**, Ikorntnes (NO); **Jan Lade**, Ikorntnes (NO)

* cited by examiner

(73) Assignee: **Ekornes, ASA**, Ikorntnes (NO)

Primary Examiner—Gary D. Watson

(**) Term: **14 Years**

(74) *Attorney, Agent, or Firm*—Kolisich Hartwell, P.C.

(21) Appl. No.: **29/197,107**

(57) **CLAIM**

(22) Filed: **Jan. 9, 2004**

The ornamental design for a seating unit side member, as shown and described.

Related U.S. Application Data

DESCRIPTION

(62) Division of application No. 29/168,772, filed on Oct. 7, 2002.

FIG. 1 is a perspective view of the inner side of one embodiment of the seating unit side member of the present invention.

(51) **LOC (7) Cl.** **06-06**

FIG. 2 is a perspective view of the outer side of the embodiment of FIG. 1.

(52) **U.S. Cl.** **D6/492; D6/500**

FIG. 3 is a side view of the inner side of the embodiment of FIG. 1.

(58) **Field of Search** D6/334, 335, 371, D6/381, 492, 500, 501, 502; 297/232

FIG. 4 is a front view of the embodiment of FIG. 1.

(56) **References Cited**

FIG. 5 is a top view of the embodiment of FIG. 1.

U.S. PATENT DOCUMENTS

FIG. 6 is a side view of the outer side of the embodiment of FIG. 1.

D224,766 S * 9/1972 Rowland D6/371

FIG. 7 is a back view of the embodiment of FIG. 1; and,

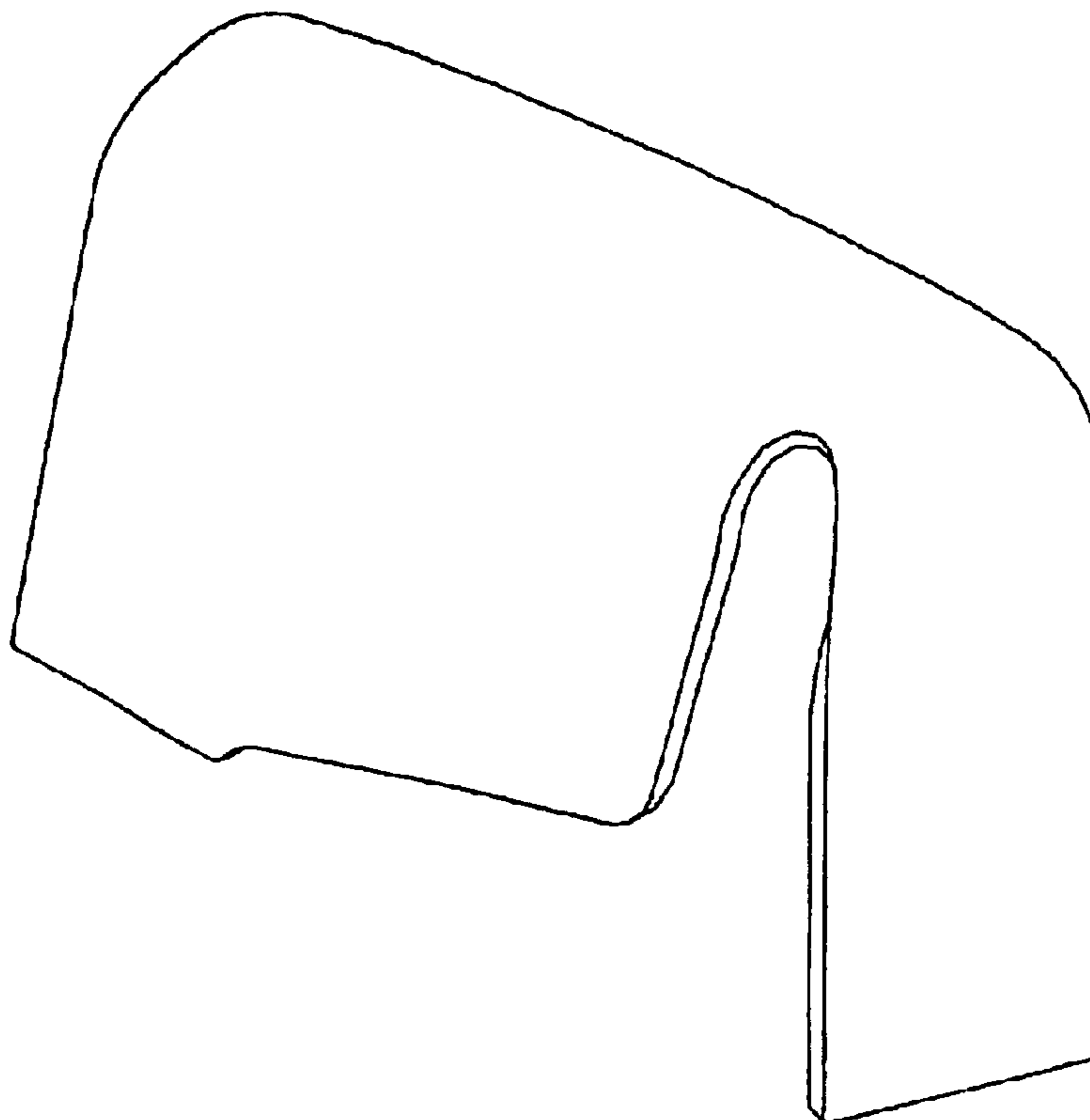
3,700,282 A * 10/1972 Rowland D6/371 X

FIG. 8 is a bottom view of the embodiment of FIG. 1.

4,343,509 A * 8/1982 Lundgren 297/232

D390,019 S * 2/1998 Lee D6/334

1 Claim, 2 Drawing Sheets



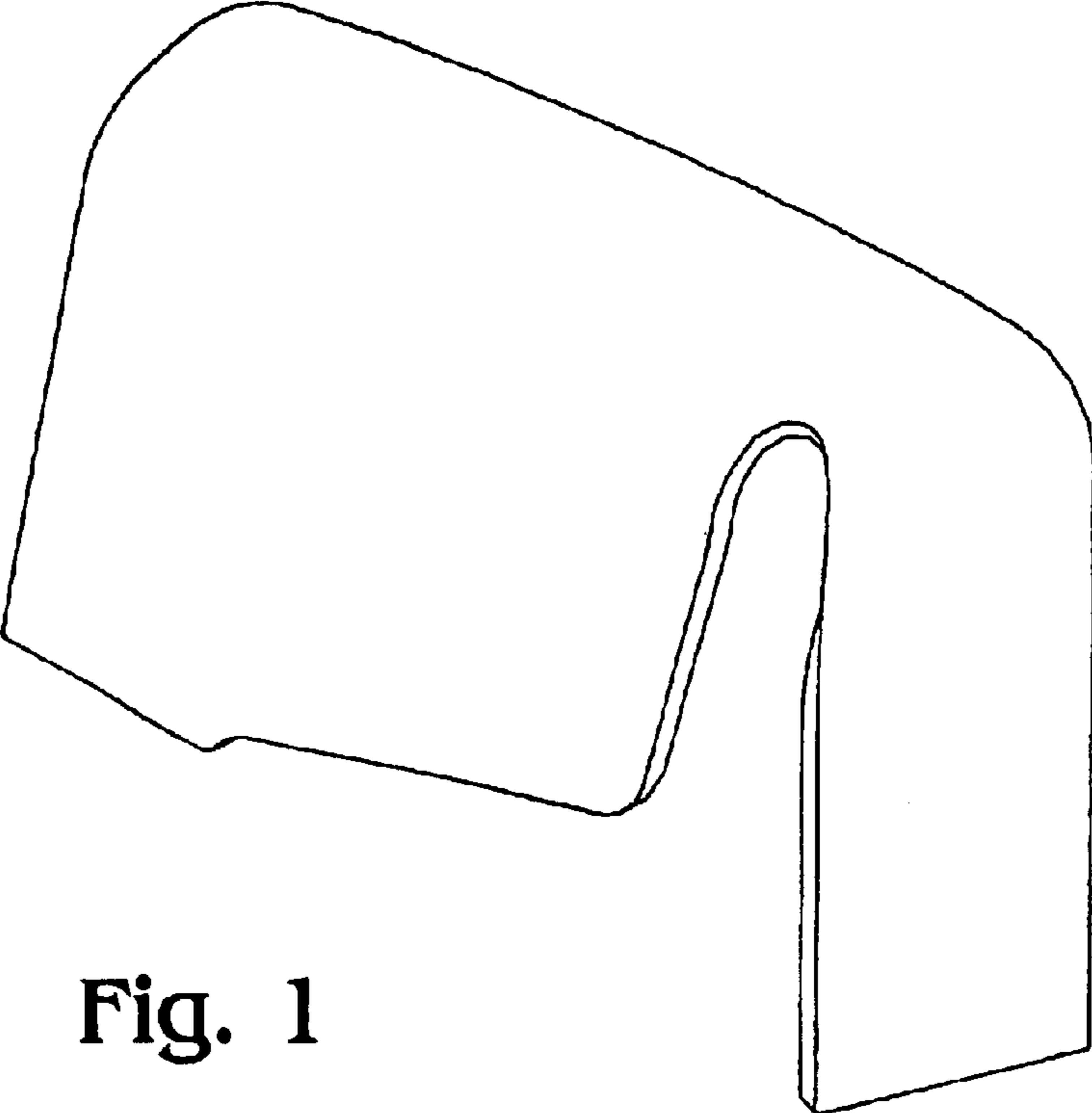


Fig. 1

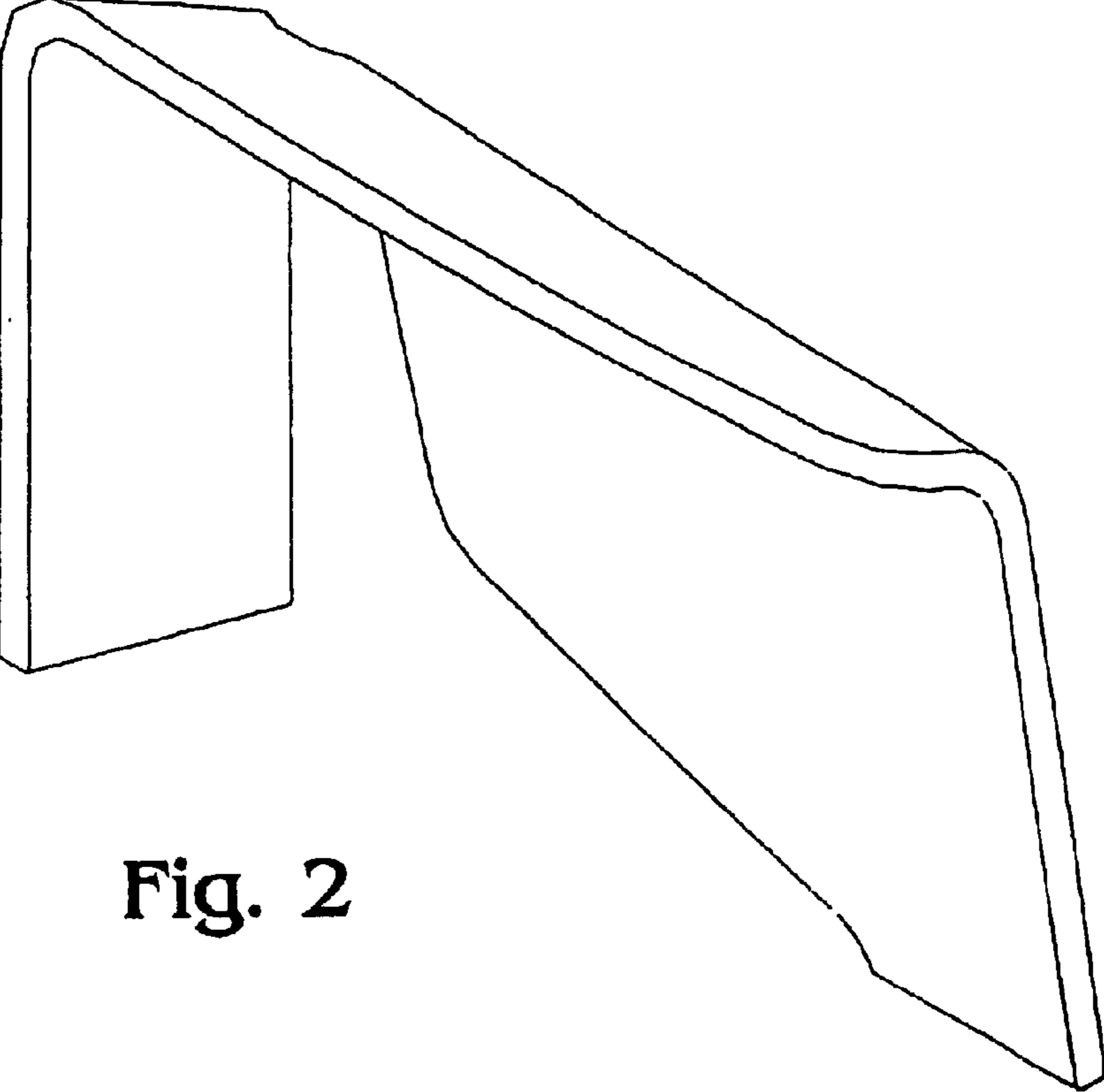


Fig. 2

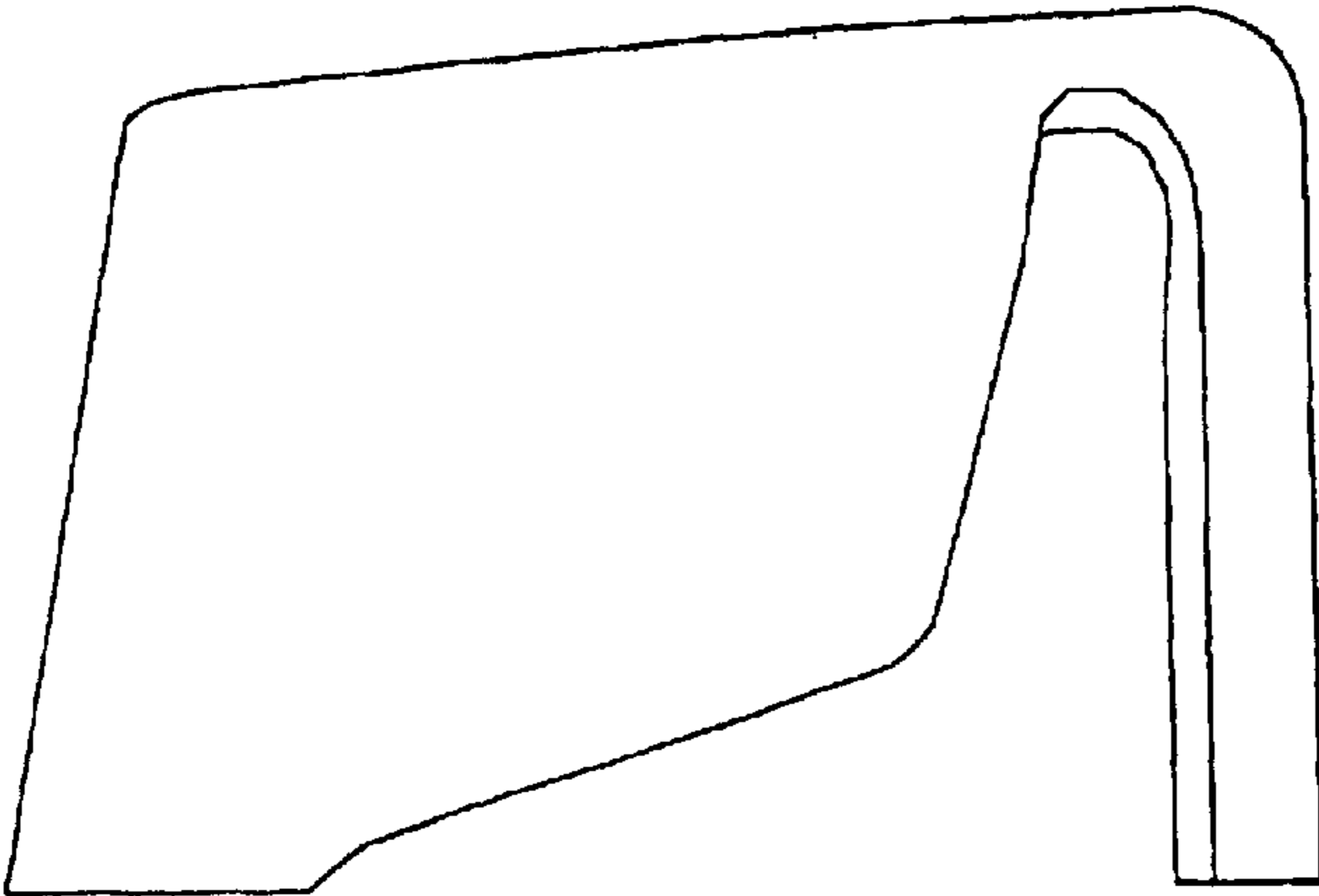


Fig. 3

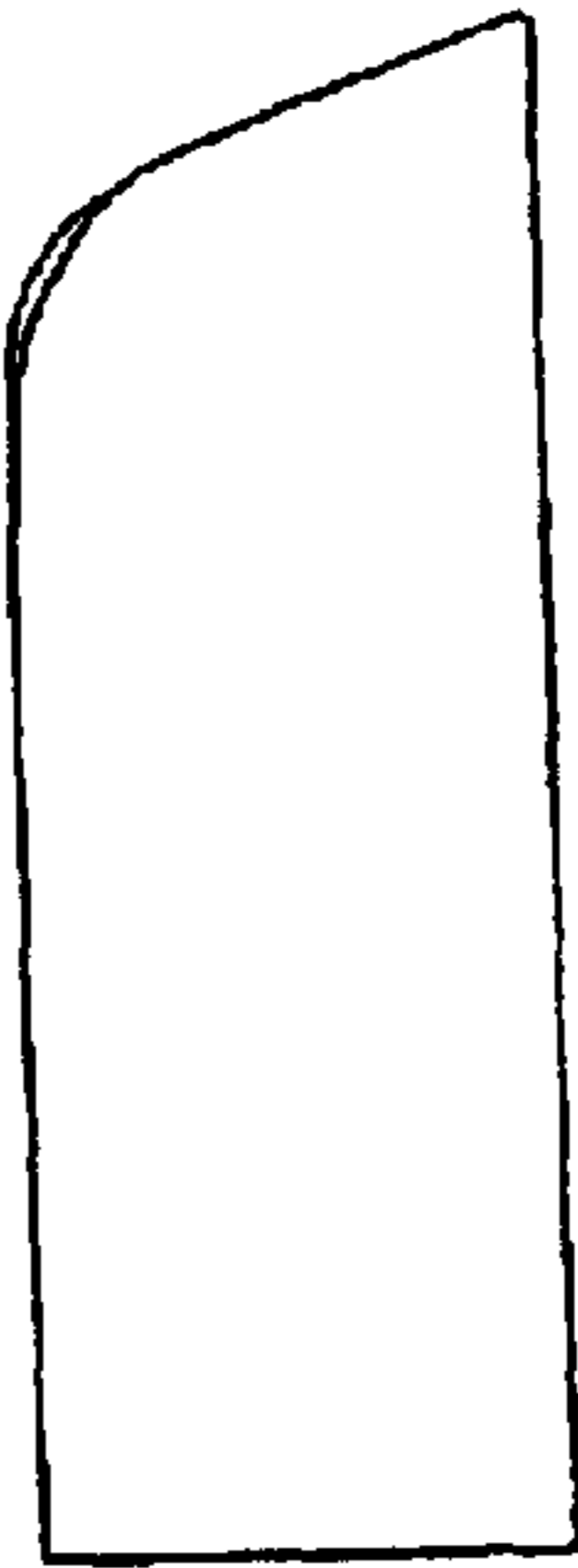


Fig. 4

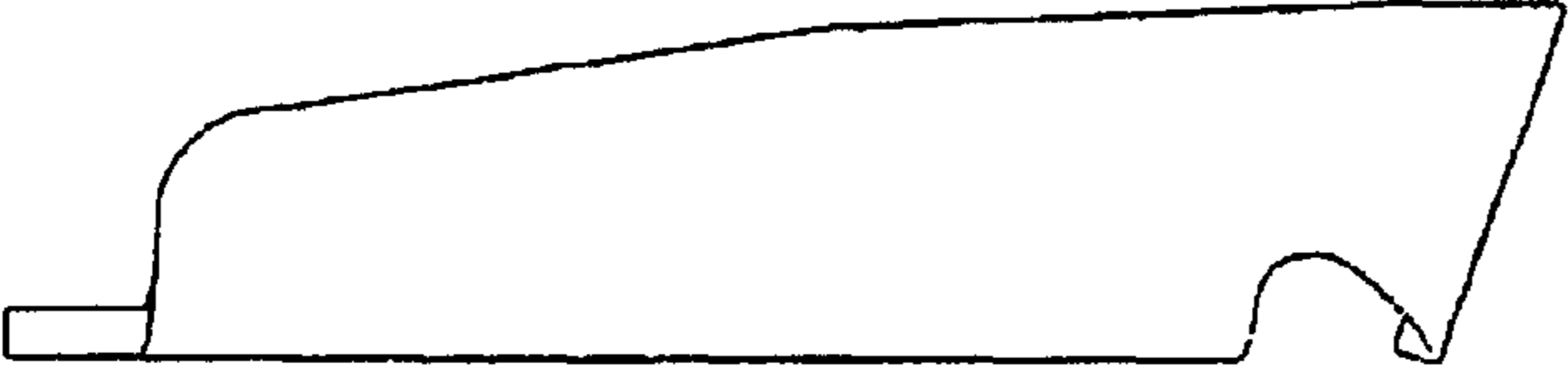


Fig. 5

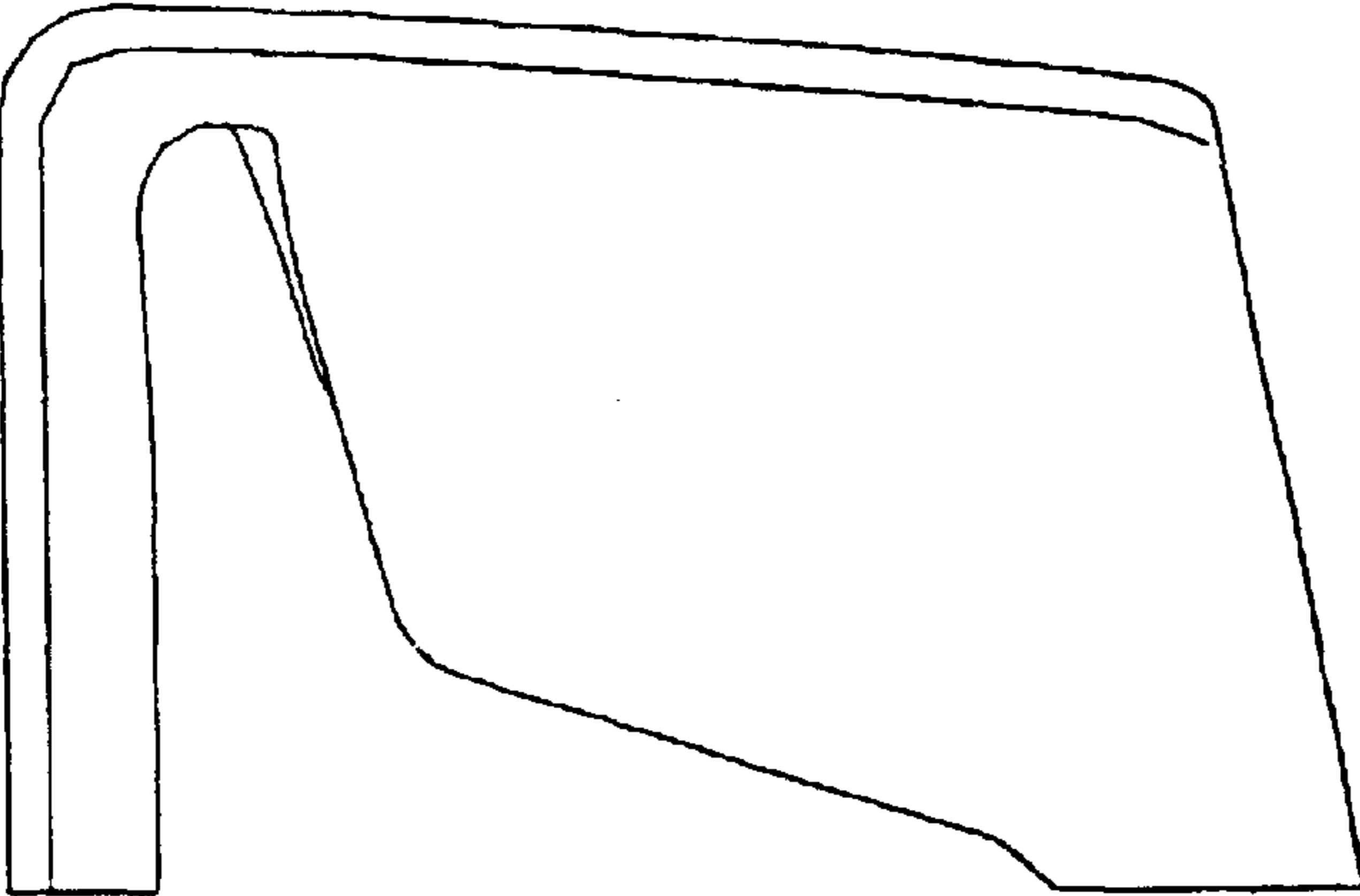


Fig. 6

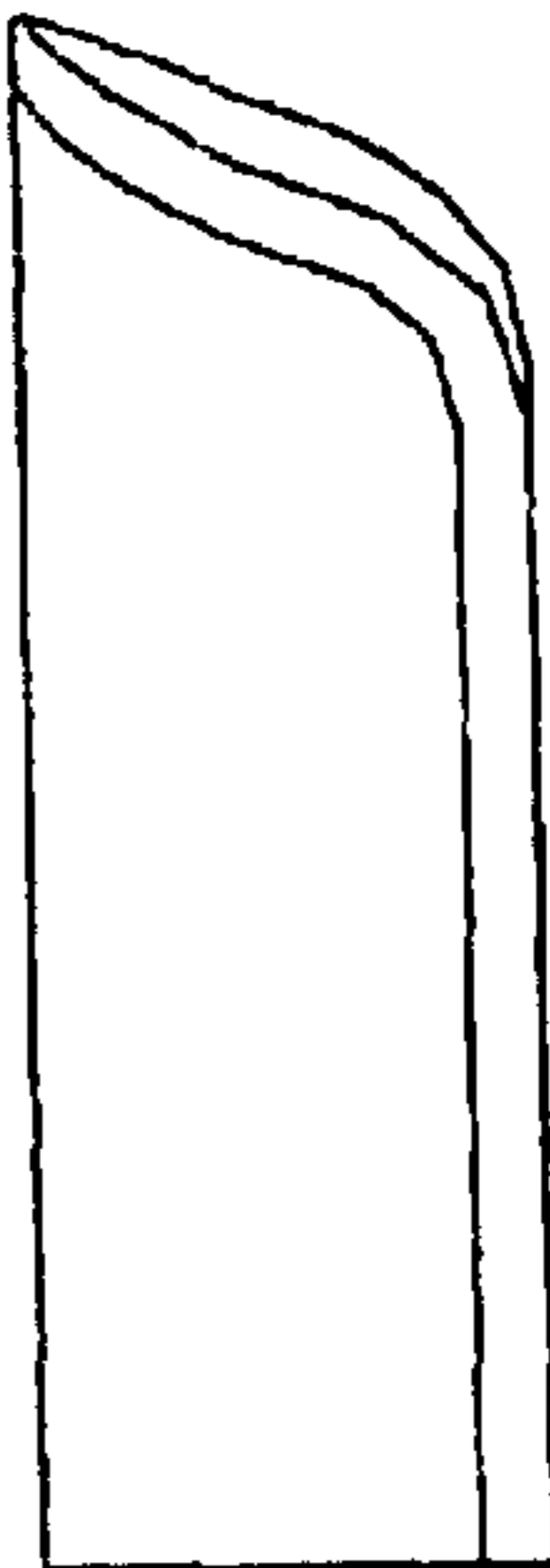


Fig. 7

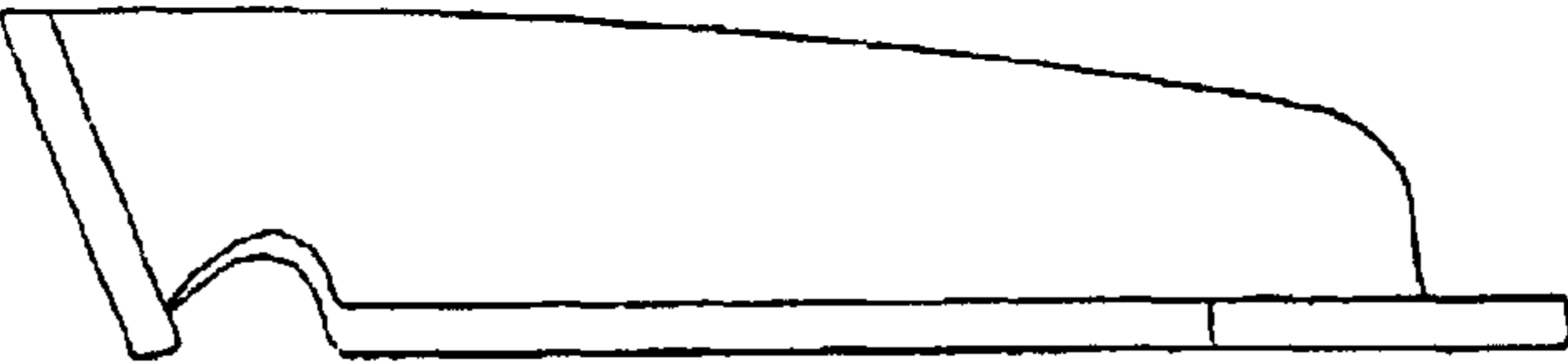


Fig. 8