



US00D495902S1

(12) **United States Design Patent**  
**Haberman et al.**

(10) **Patent No.:** **US D495,902 S**  
(45) **Date of Patent:** **\*\* Sep. 14, 2004**

(54) **DESK SIDE TABLE**

D373,489 S \* 9/1996 Tabbia ..... D6/441

(76) Inventors: **William G. Haberman**, 10 Sylvania St.,  
Glen Head, NY (US) 11545; **Dennis  
Browner**, 12 Chance St., Hicksville,  
NY (US) 11811

\* cited by examiner

*Primary Examiner*—Janice E. Seeger  
(74) *Attorney, Agent, or Firm*—Hoffmann & Baron, LLP

(\*\*) Term: **14 Years**

(57) **CLAIM**

The ornamental design for a desk side table, as shown and described.

(21) Appl. No.: **29/179,167**

(22) Filed: **Apr. 4, 2003**

**DESCRIPTION**

(51) **LOC (7) Cl.** ..... **06-03**

(52) **U.S. Cl.** ..... **D6/480; D6/441**

(58) **Field of Search** ..... D6/480–489, 495,  
D6/497, 450, 451, 511, 432, 441; 108/150,  
153.1, 158, 155, 156, 157.1, 161; 248/188,  
188.1, 188.8

FIG. 1 is a top front perspective view of a desk side table showing our new design;

FIG. 2 is a top plan view thereof;

FIG. 3 is a front plan view thereof, the back being a mirror image; and,

FIG. 4 is a left side plan view thereof, the right side being a mirror image.

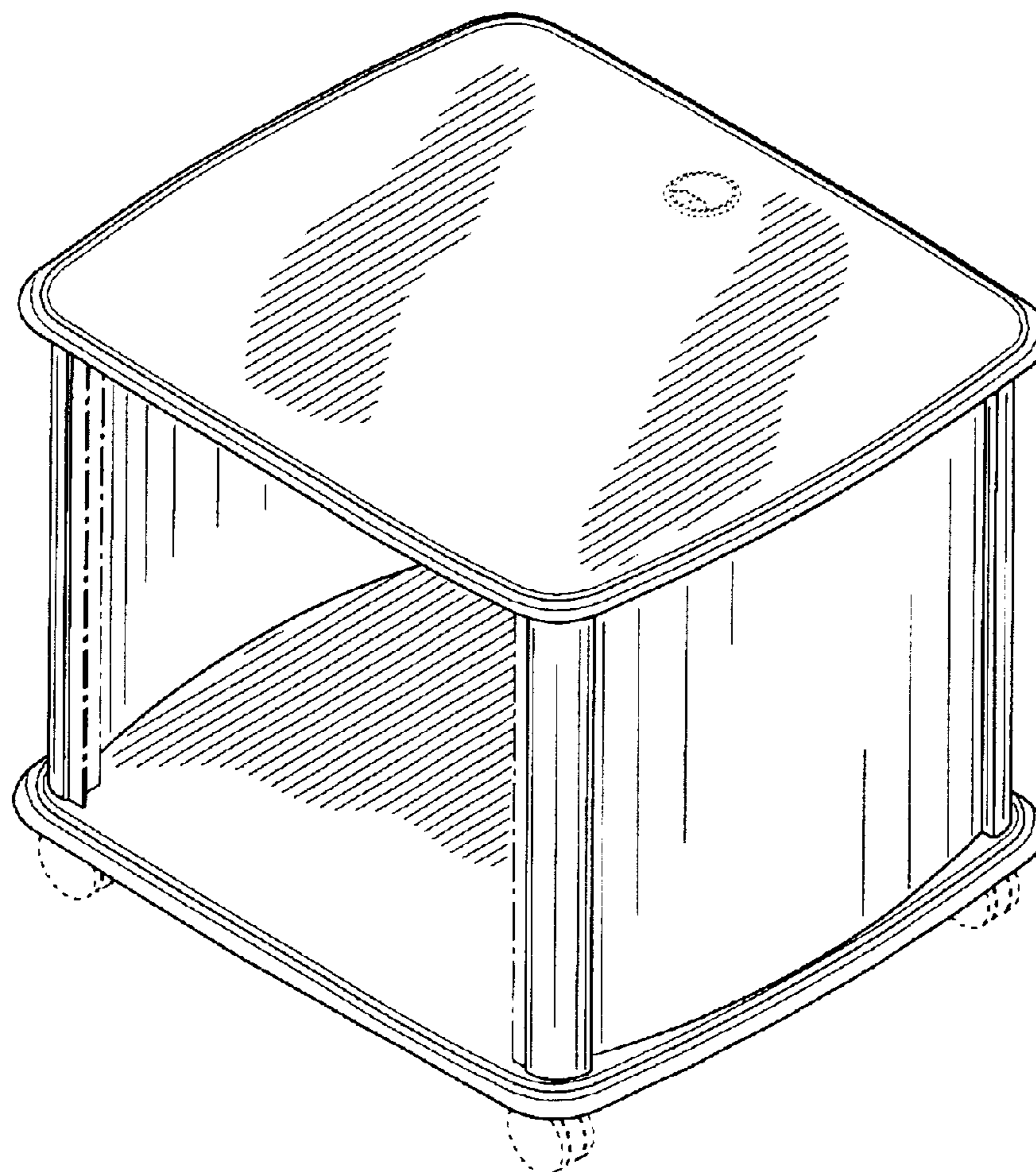
The bottom view (not shown) forms no part of the claimed design. The subject matter shown in broken lines is for illustrative purposes only and forms no part of the claimed design.

(56) **References Cited**

**U.S. PATENT DOCUMENTS**

D112,114 S \* 11/1938 Hanson ..... D6/441  
D260,836 S \* 9/1981 de Polo et al. .... D6/484  
D371,701 S \* 7/1996 Jolly et al. .... D6/484

**1 Claim, 4 Drawing Sheets**



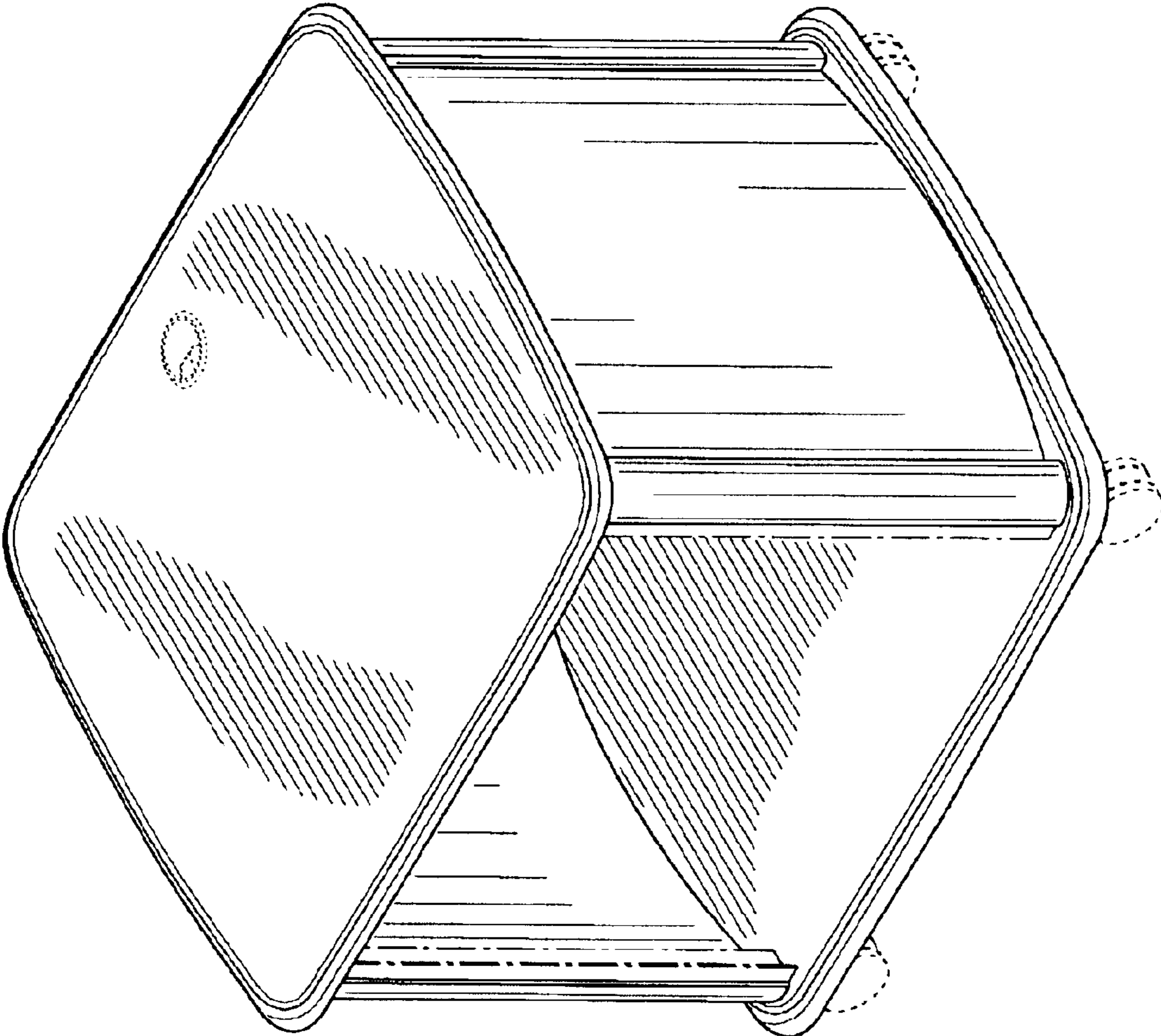


FIG. 1

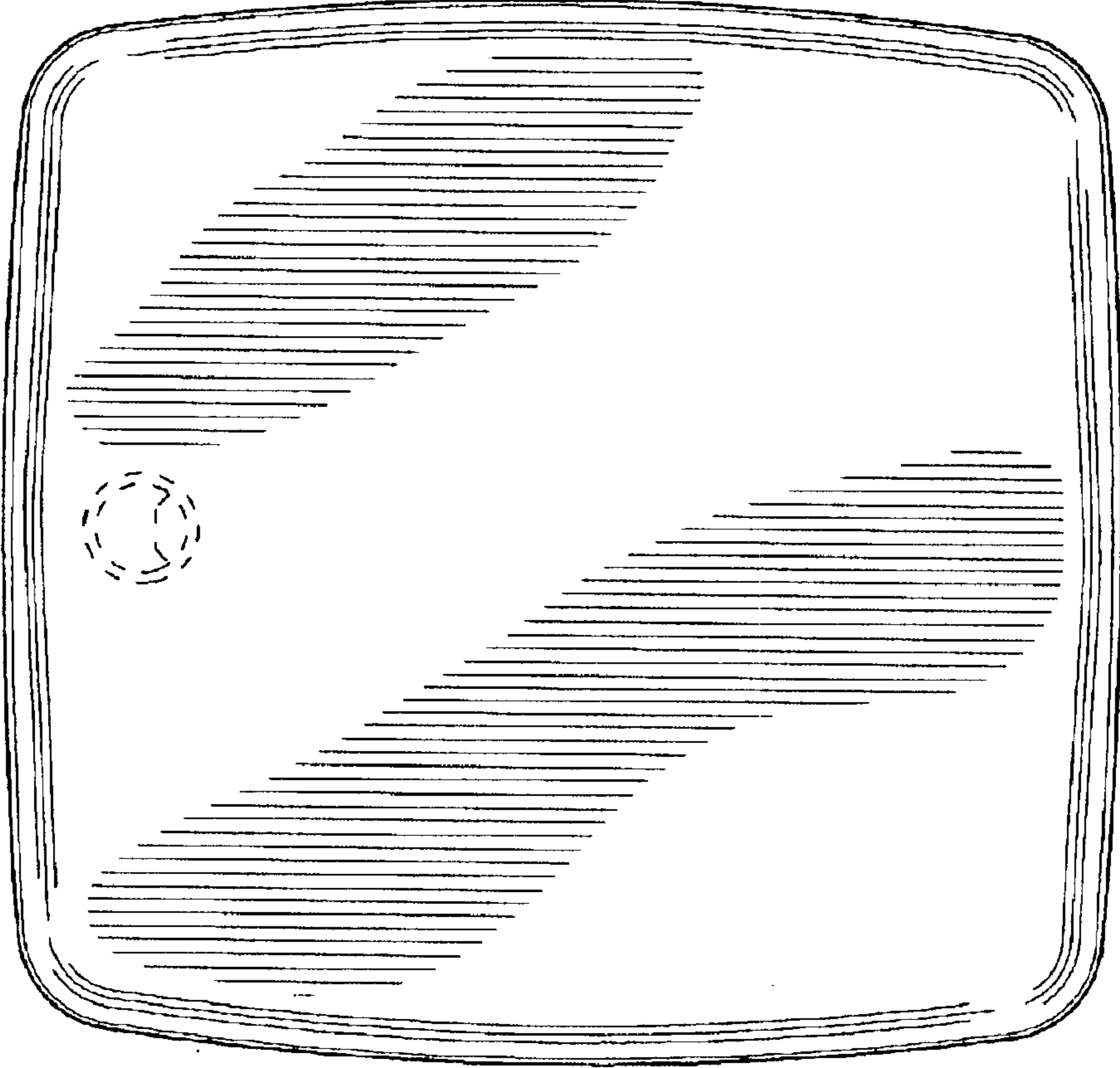


FIG. 2

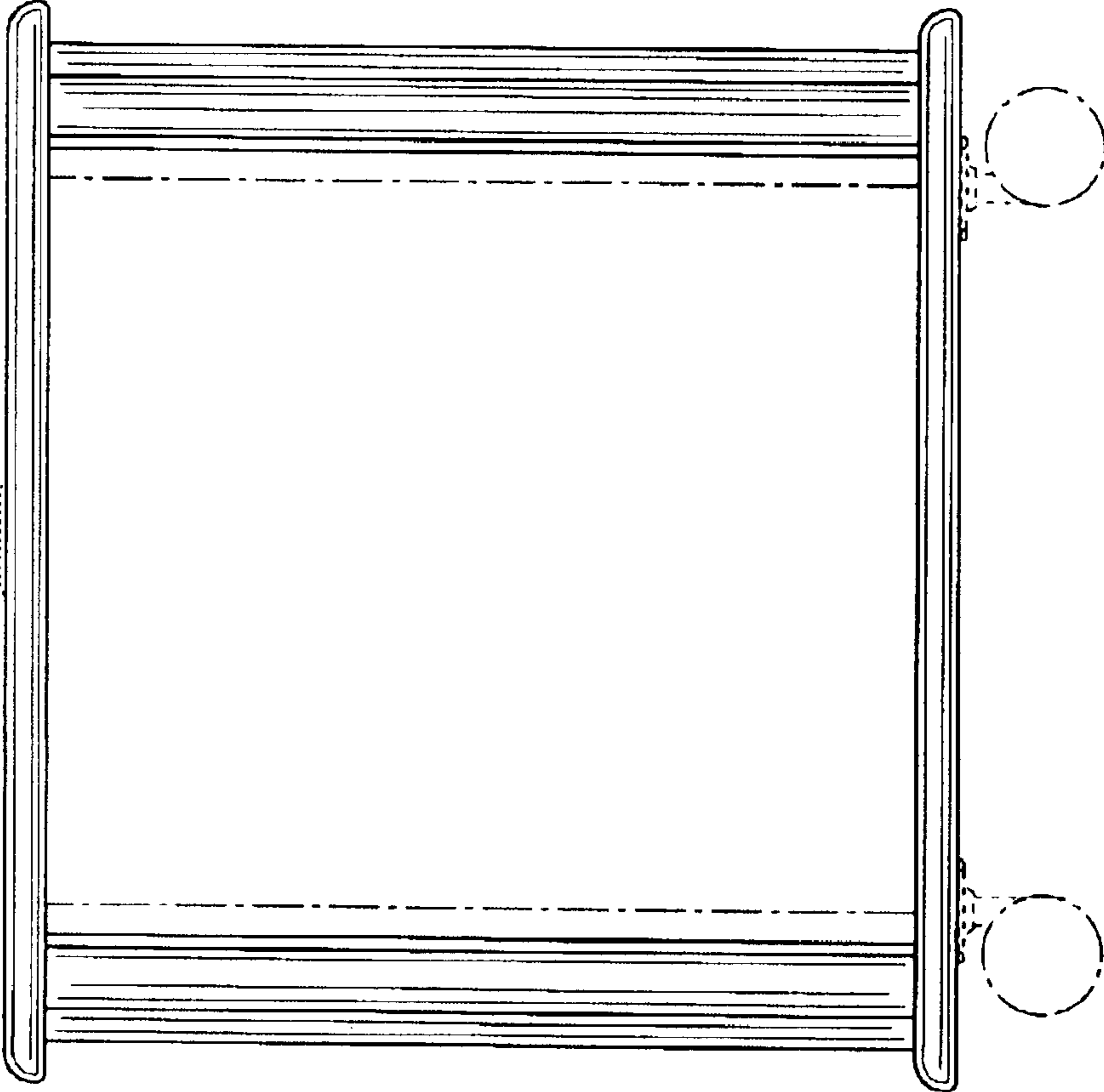


FIG. 3

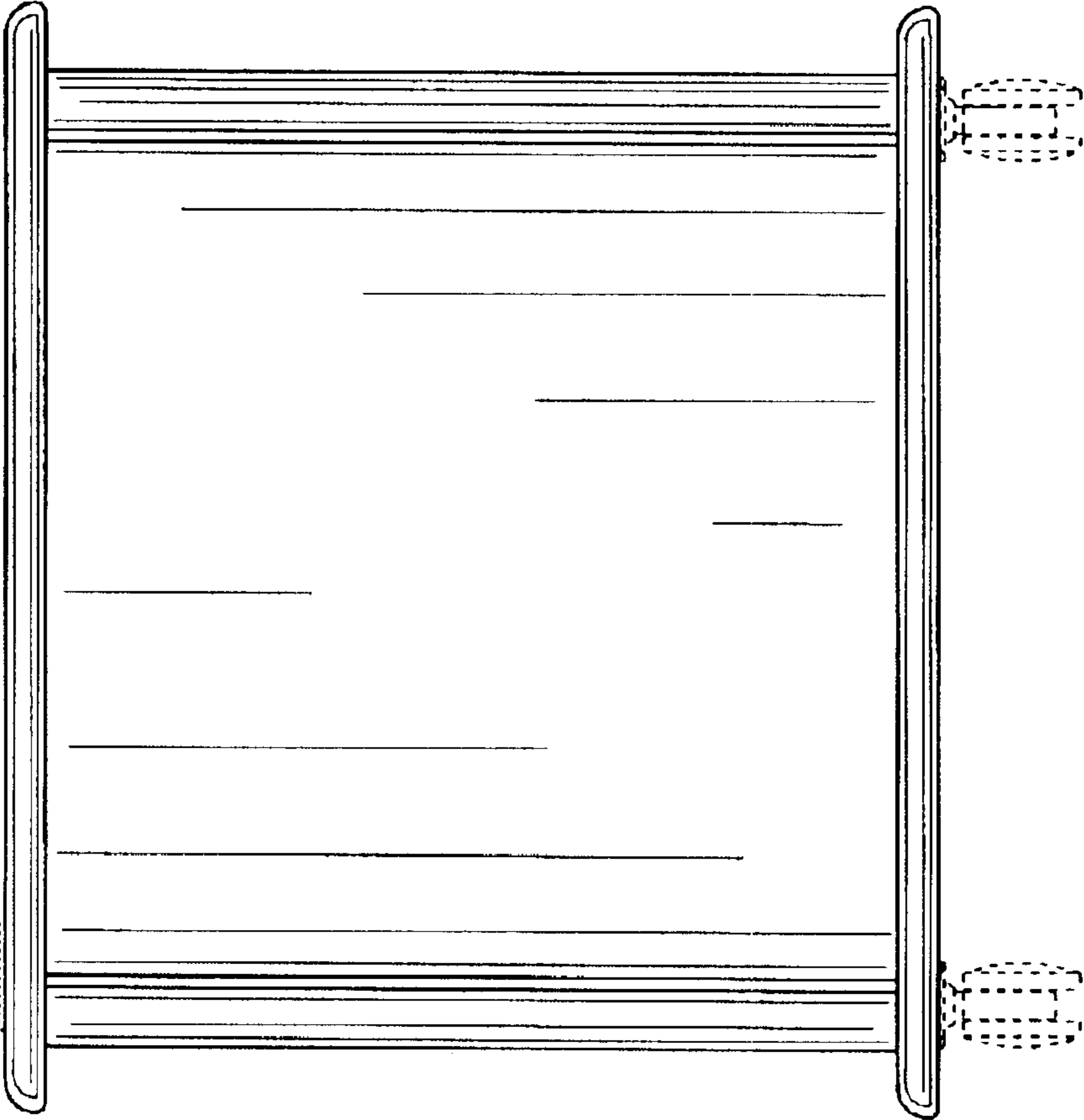


FIG. 4