

US00D495900S1

(12) **United States Design Patent**
Mayse

(10) **Patent No.: US D495,900 S**

(45) **Date of Patent: ** Sep. 14, 2004**

(54) **COIN DISPLAY TOWER**

(76) **Inventor: Randy L. Mayse, 202 N. South St.,
Raymond, IL (US) 62560**

(**) **Term: 14 Years**

(21) **Appl. No.: 29/199,808**

(22) **Filed: Feb. 19, 2004**

(51) **LOC (7) Cl. 06-04**

(52) **U.S. Cl. D6/469; D6/457**

(58) **Field of Search D6/396, 397, 449,
D6/450, 457, 466, 467, 468, 469, 470;
D7/590, 600.2; D30/110, 111, 124-128;
119/428-433; 211/1.53, 53, 56, 70, 77,
78, 95, 115, 129.1, 131.1, 144, 163**

(56) **References Cited**

U.S. PATENT DOCUMENTS

- 1,587,804 A * 6/1926 Stein 119/428
- 3,367,632 A * 2/1968 Vail 119/428
- 3,696,792 A * 10/1972 Bruhns 119/432
- D294,208 S * 2/1988 Noyes et al. D6/469
- D320,141 S * 9/1991 Farrell D7/600.2

- D331,676 S * 12/1992 Endelman D6/470
- D370,313 S * 5/1996 Nottingham et al. D30/125
- D386,836 S * 11/1997 Hunt D30/124
- D488,643 S * 4/2004 Birmingham D6/469

* cited by examiner

Primary Examiner—Mimosa De

(74) *Attorney, Agent, or Firm—Philip L. Bateman*

(57) **CLAIM**

The ornamental design for a coin display tower, as shown and described.

DESCRIPTION

FIG. 1 is a top and front perspective view of a coin display tower showing my new design;
 FIG. 2 is a front elevation view thereof;
 FIG. 3 is a side elevation view thereof;
 FIG. 4 is a rear elevation view thereof;
 FIG. 5 is a top plan view thereof; and,
 FIG. 6 is a bottom plan view thereof. A “Lazy Susan” rotating mechanism is shown in broken lines and is not part of the design.

1 Claim, 5 Drawing Sheets

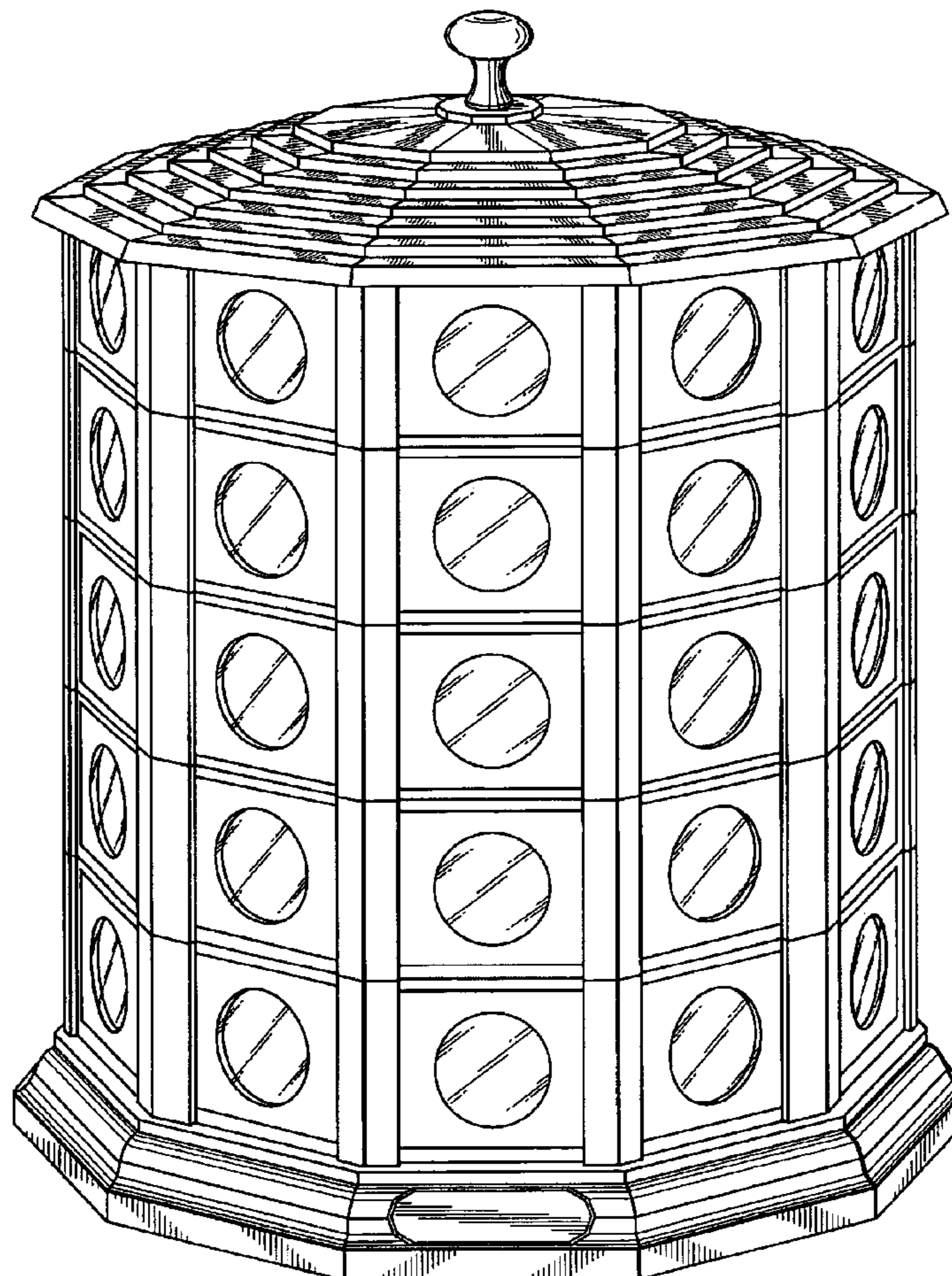


Fig. 1

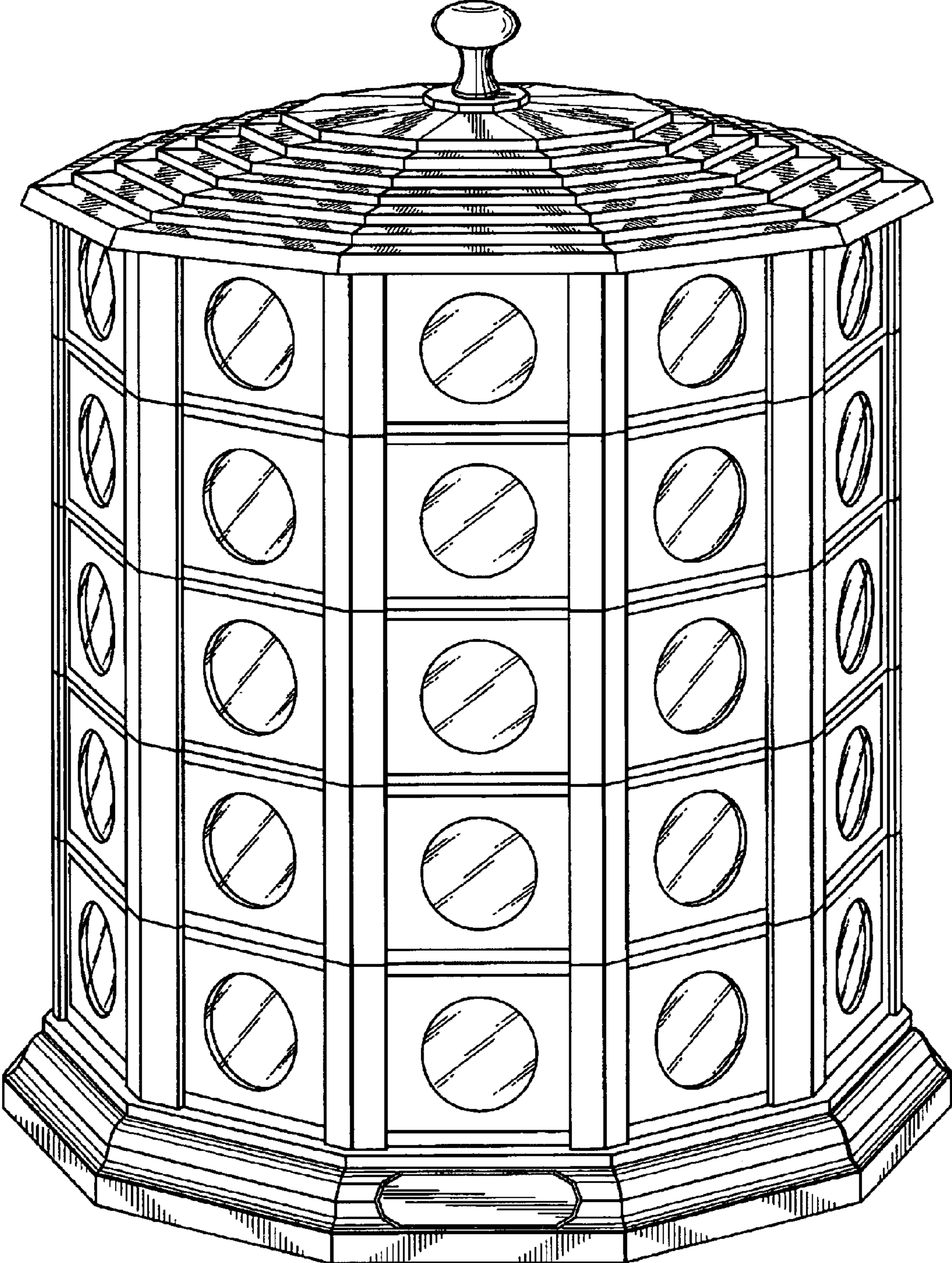


Fig. 2

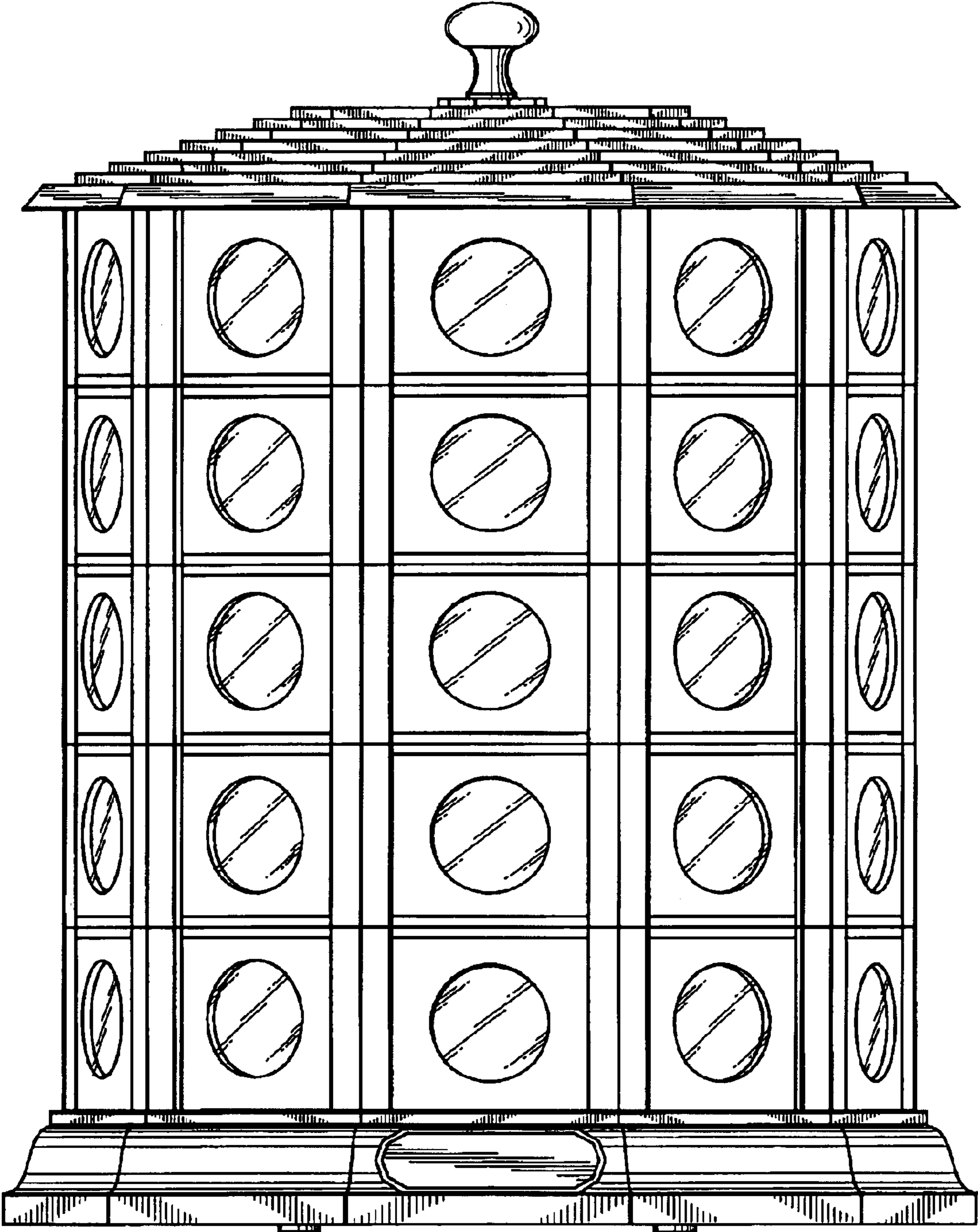


Fig. 3

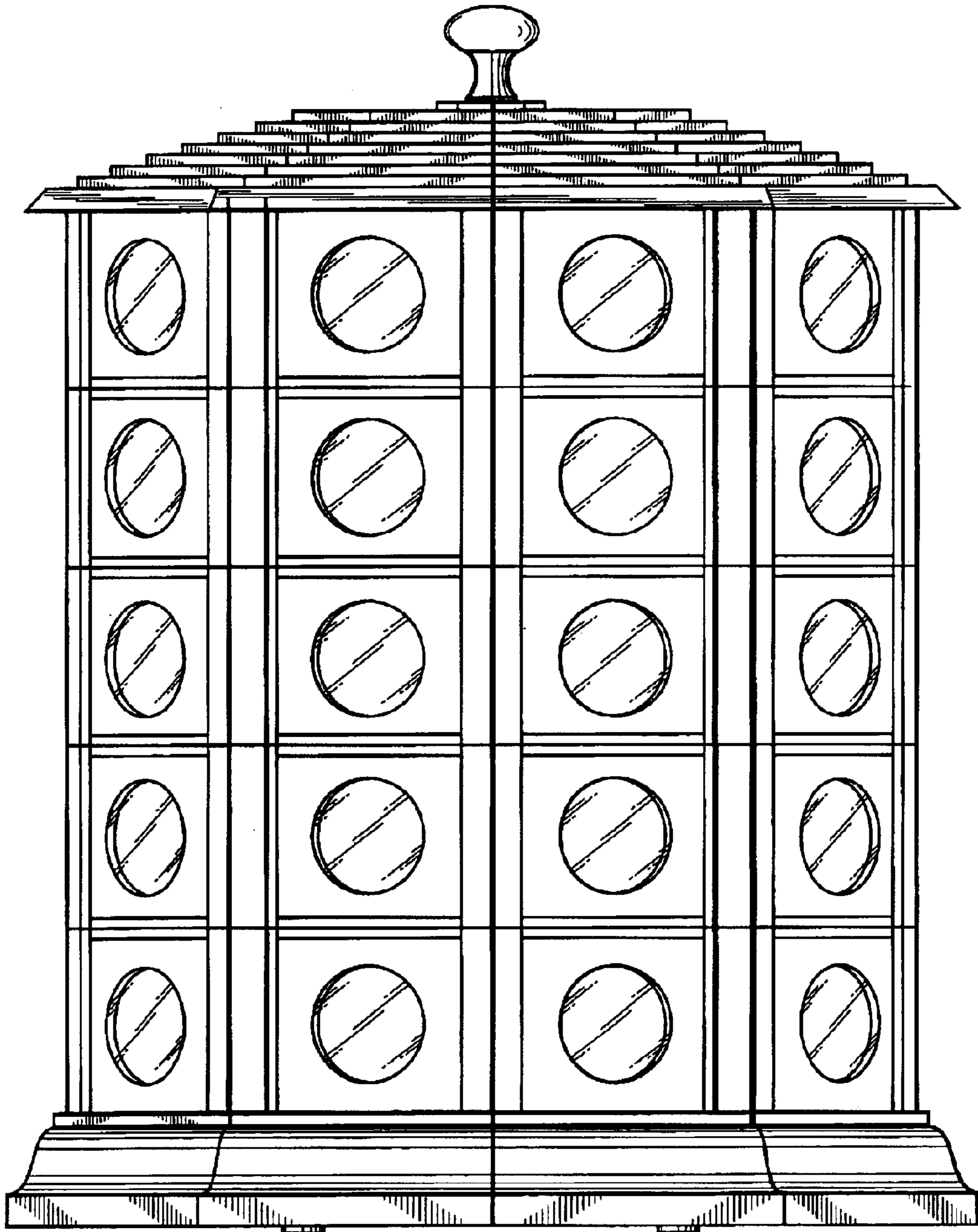


Fig. 4

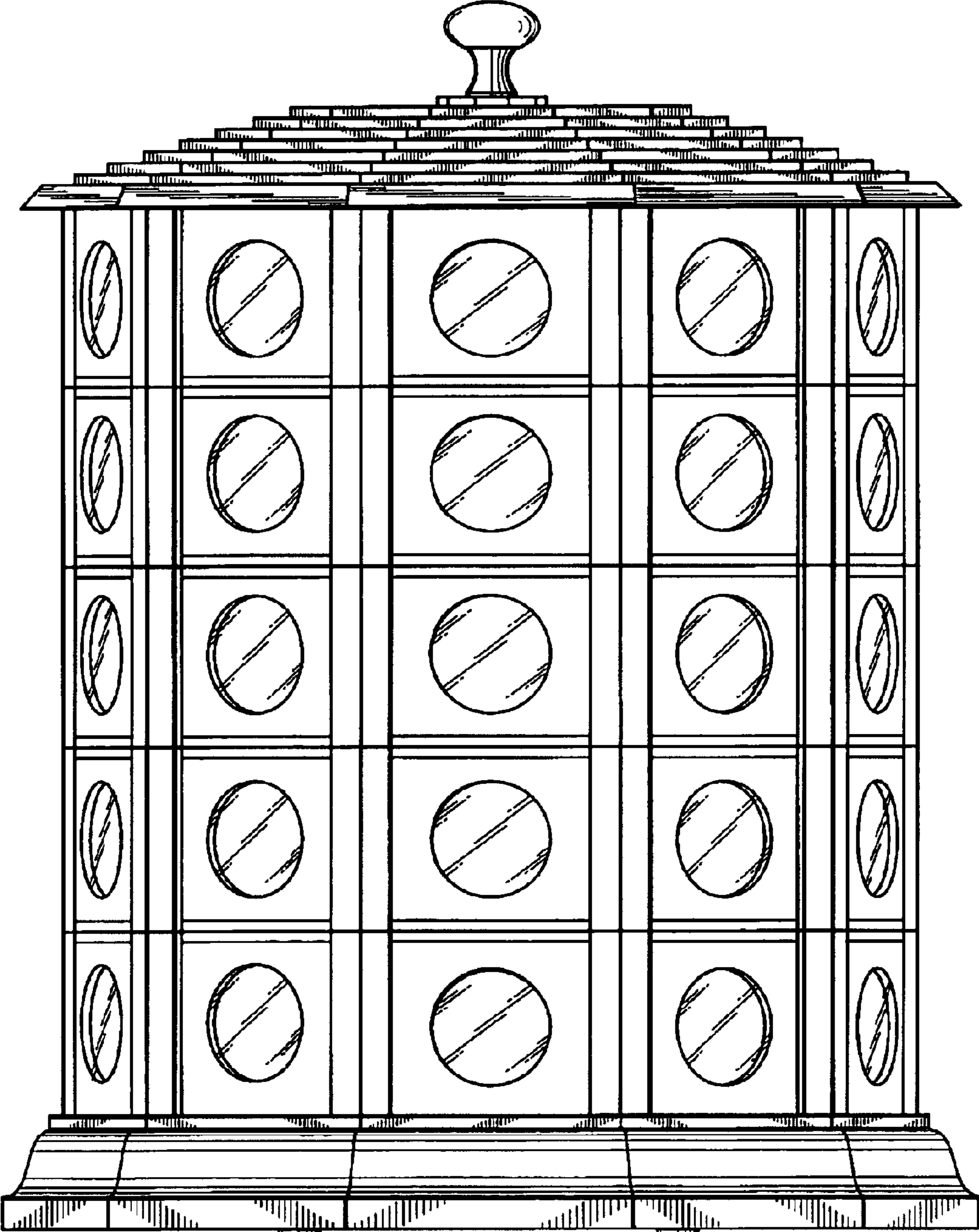


Fig. 5

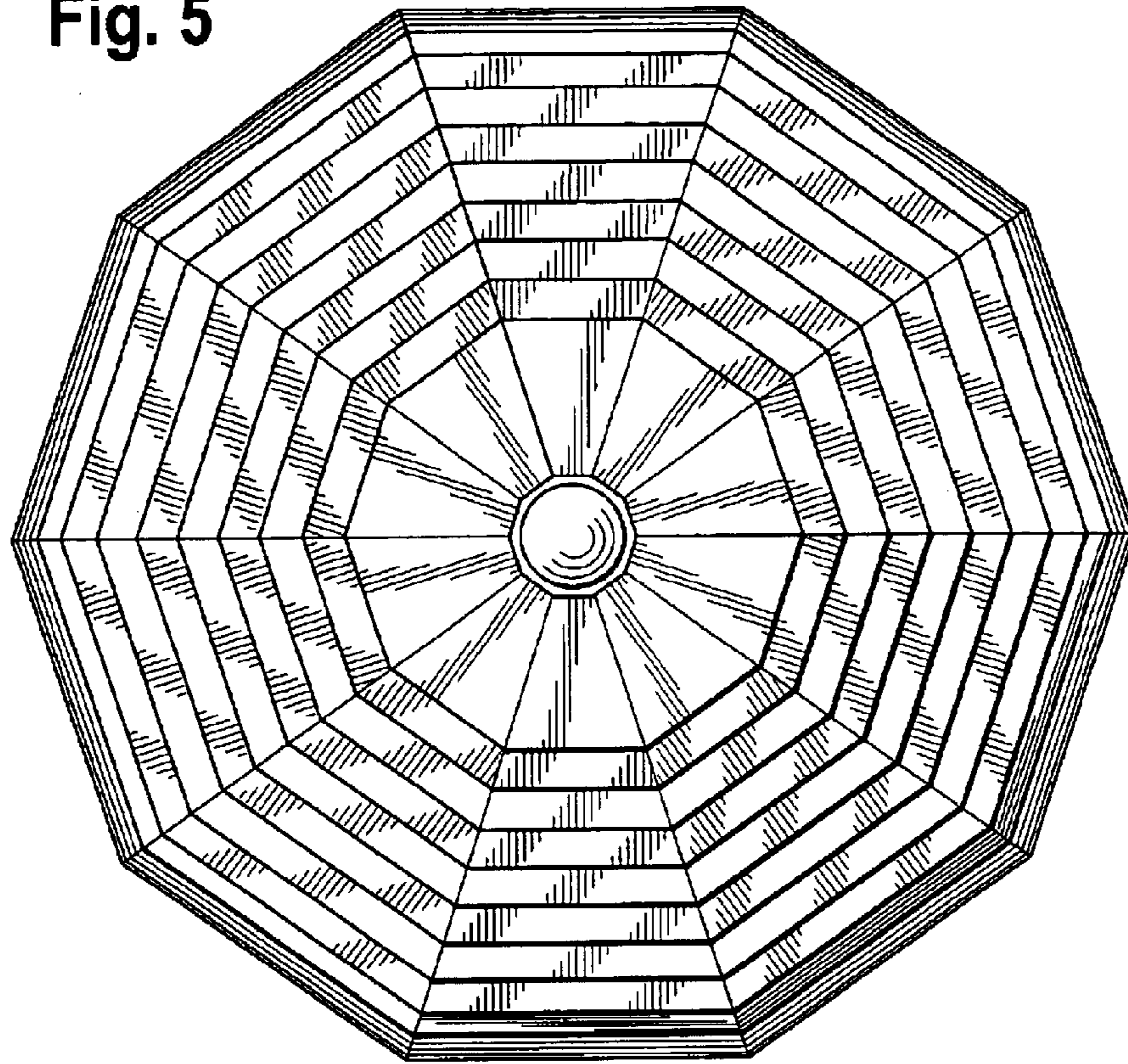


Fig. 6

