

US00D495893S1

(12) **United States Design Patent** (10) **Patent No.:** **US D495,893 S**  
**Ricci** (45) **Date of Patent:** **\*\* Sep. 14, 2004**

(54) **SEAT**

(75) **Inventor:** **Luca Ricci, Forli (IT)**

(73) **Assignee:** **De Coro Ltd., Fanling (HK)**

(\*\*) **Term:** **14 Years**

(21) **Appl. No.:** **29/195,239**

(22) **Filed:** **Dec. 8, 2003**

(51) **LOC (7) Cl.** ..... **06-01**

(52) **U.S. Cl.** ..... **D6/381; D6/334**

(58) **Field of Search** ..... **D6/334, 335, 336,**  
**D6/364, 371, 381, 500, 501, 502; 5/12.1;**  
**297/232**

(56) **References Cited**

**U.S. PATENT DOCUMENTS**

D105,104 S	6/1937	Hines et al.	
D179,682 S	2/1957	Glass	
4,188,066 A	2/1980	Terenzoni	
D263,770 S	4/1982	Melchior	
D361,909 S	9/1995	Natuzzi et al.	
D369,480 S	5/1996	Natuzzi et al.	
D375,845 S	11/1996	Mourgue	
D384,219 S	* 9/1997	Natuzzi et al.	D6/381
D392,470 S	3/1998	Smith	
D400,368 S	11/1998	Natuzzi et al.	
D407,572 S	4/1999	Natuzzi et al.	
D424,318 S	* 5/2000	Natuzzi et al.	D6/381
D424,826 S	* 5/2000	Natuzzi et al.	D6/381
D425,711 S	5/2000	Desombre	
D429,080 S	* 8/2000	Natuzzi et al.	D6/381
D429,082 S	8/2000	Desombre	
D432,336 S	10/2000	Gibson	
D446,039 S	8/2001	Gomez	
D448,183 S	9/2001	Brisson	
D466,325 S	12/2002	Nicoletti	
D467,091 S	12/2002	Natuzzi et al.	
D477,152 S	7/2003	Levy	
D485,088 S	* 1/2004	Ricci	D6/381
D487,996 S	* 4/2004	Natuzzi	D6/381
D487,997 S	* 4/2004	Natuzzi	D6/381

**OTHER PUBLICATIONS**

Natuzzi Model 1642, International Home Furnishings Market, High Point, NC, Oct. 1997.\*  
De Coro Ltd. Sofa Model No. 133, Apr. 1998, at the International Home Furnishing Market in High Point, N.C.  
De Coro Ltd. Sofa Model No. 154, Apr. 1998, at the International Home Furnishing Market in High Point, N.C.  
De Coro Ltd. Sofa Model No. 2004, Apr. 2000, at the International Home Furnishing Market in High Point, N.C.  
De Coro Ltd. Sofa Model No. 2005, Apr. 2000, at the International Home Furnishing Market in High Point, N.C.

(List continued on next page.)

*Primary Examiner*—Gary D. Watson

(74) *Attorney, Agent, or Firm*—Luce, Forward, Hamilton & Scripps, LLP

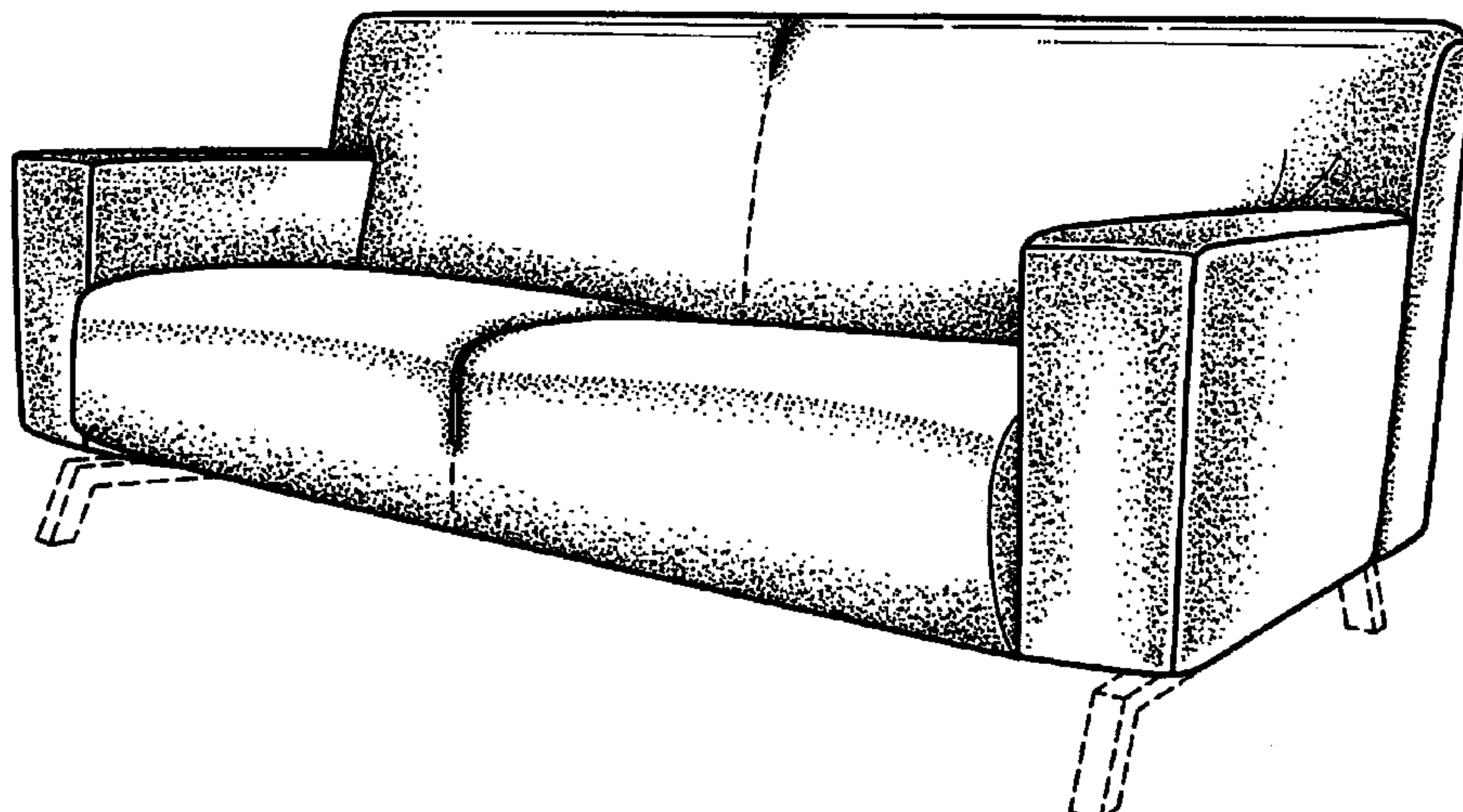
(57) **CLAIM**

The ornamental design for a seat, as shown and described.

**DESCRIPTION**

FIG. 1 is a front perspective view of one embodiment of my new seat design in the form of a sofa;  
FIG. 2 is a front elevation view of the embodiment of FIG. 1;  
FIG. 3 is a left, side elevation view of the embodiment of FIG. 1, with the right side elevational view being a mirror image thereof;  
FIG. 4 is a rear elevation view of the embodiment of FIG. 1;  
FIG. 5 is a front perspective view of a second embodiment of my new seat design in the form of a chair;  
FIG. 6 is a front elevation view of the embodiment of FIG. 5; and,  
FIG. 7 is a rear elevation view of the embodiment of FIG. 5.  
The side elevation views of FIGS. 5, 6, and 7 are like that shown in FIG. 3. The broken line disclosure is for illustrative purposes only and forms no part of the claimed design.

**1 Claim, 4 Drawing Sheets**



OTHER PUBLICATIONS

De Coro Ltd. Sofa Model No. 2009, Apr. 2000, at the International Home Furnishing Market in High Point, N.C.  
De Coro Ltd. Sofa Model No. 2117, Oct. 2001, at the International Home Furnishing Market in High Point, N.C.  
De Coro Ltd. Sofa Model No. 2189, Apr. 2002, at the International Home Furnishing Market in High Point, N.C.  
De Coro Ltd. Sofa Model No. 2190, Apr. 2002, at the International Home Furnishing Market in High Point, N.C.  
De Coro Ltd. Sofa Model No. 2193, Apr. 2002, at the International Home Furnishing Market in High Point, N.C.  
De Coro Ltd. Chair Model No. 2259, Oct. 2002, at the International Home Furnishing Market in High Point, N.C.

De Coro Ltd. Sofa Model No. 2268, Oct. 2002, at the International Home Furnishing Market in High Point, N.C.  
De Coro Ltd. Sofa Model No. 2269, Oct. 2002, at the International Home Furnishing Market in High Point, N.C.  
De Coro Ltd. Chair Model No. 2293, Oct. 2002, at the International Home Furnishing Market in High Point, N.C.  
De Coro Ltd. Sofa Model No. 2294, Oct. 2002, at the International Home Furnishing Market in High Point, N.C.  
De Coro Ltd. Sofa Model No. D101, Oct. 2002, at the International Home Furnishing Market in High Point, N.C.  
De Coro Ltd. Sofa Model No. D104, Oct. 2002, at the International Home Furnishing Market in High Point, N.C.

\* cited by examiner

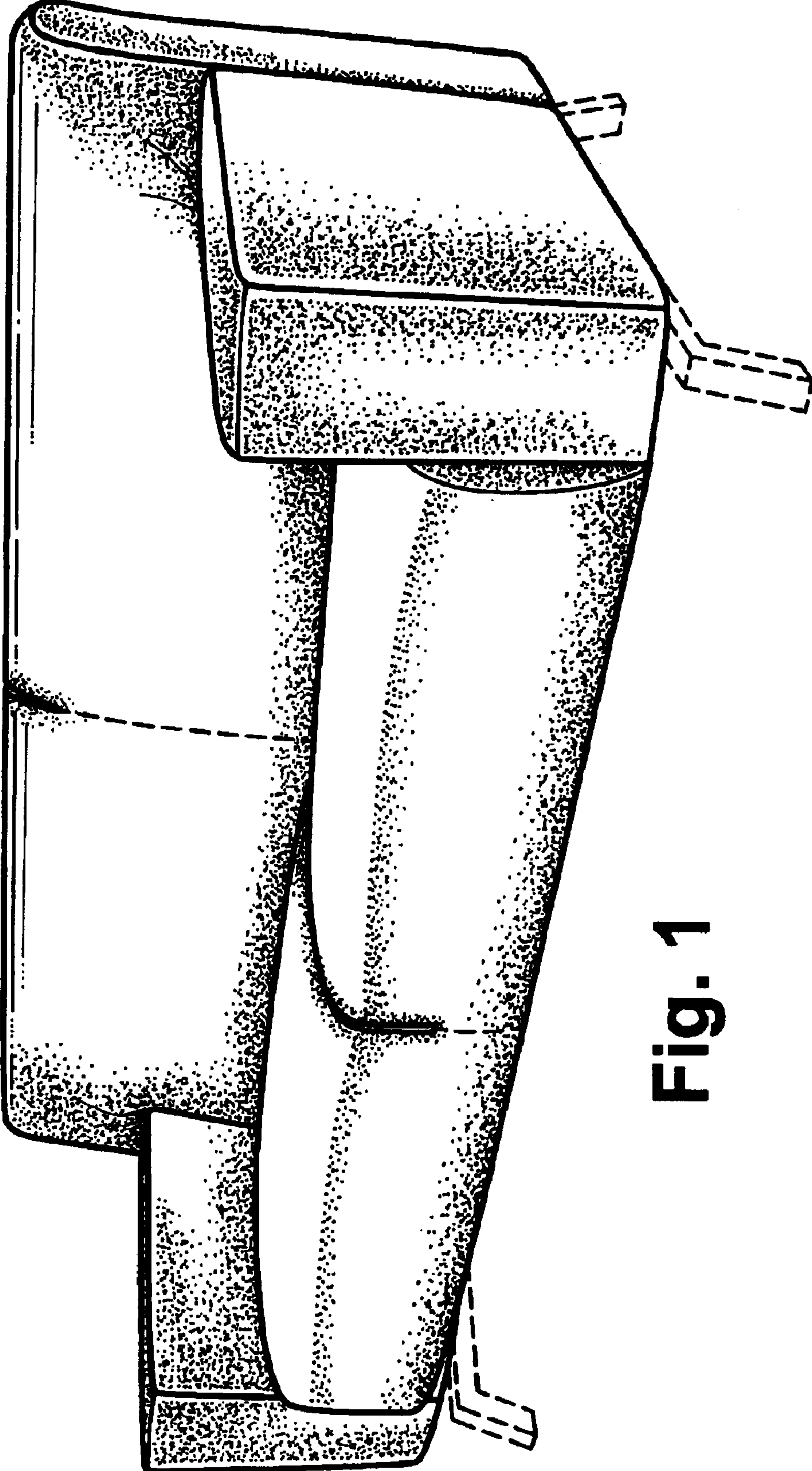


Fig. 1





Fig. 2

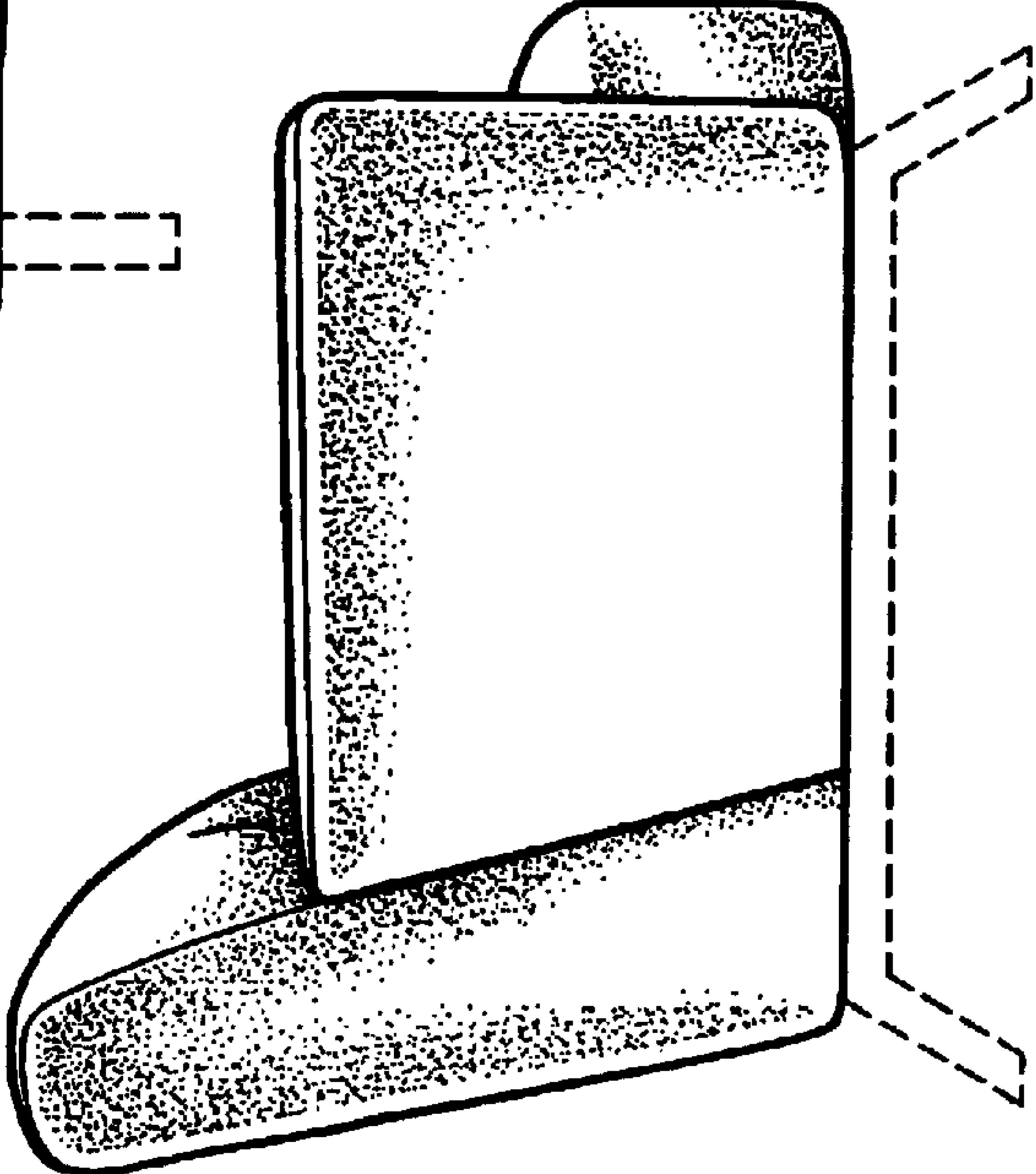


Fig. 3

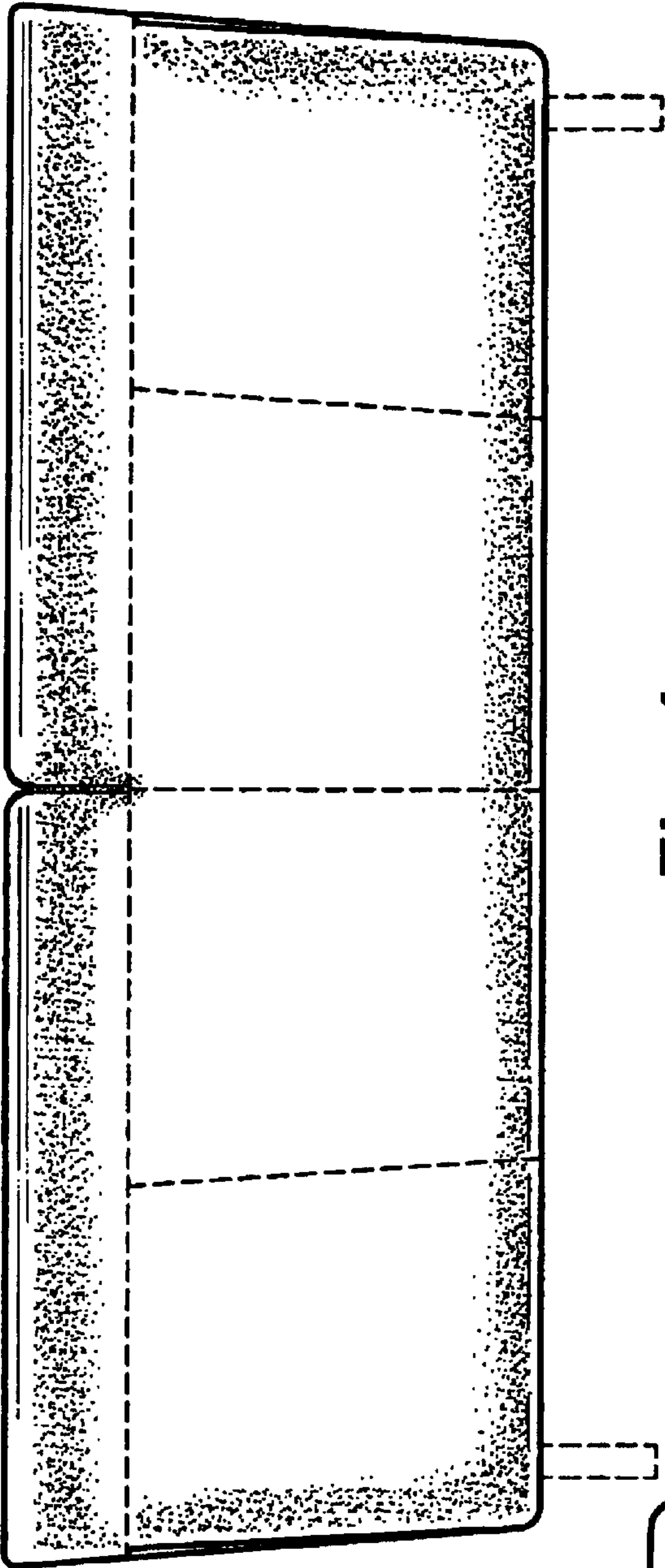


Fig. 4

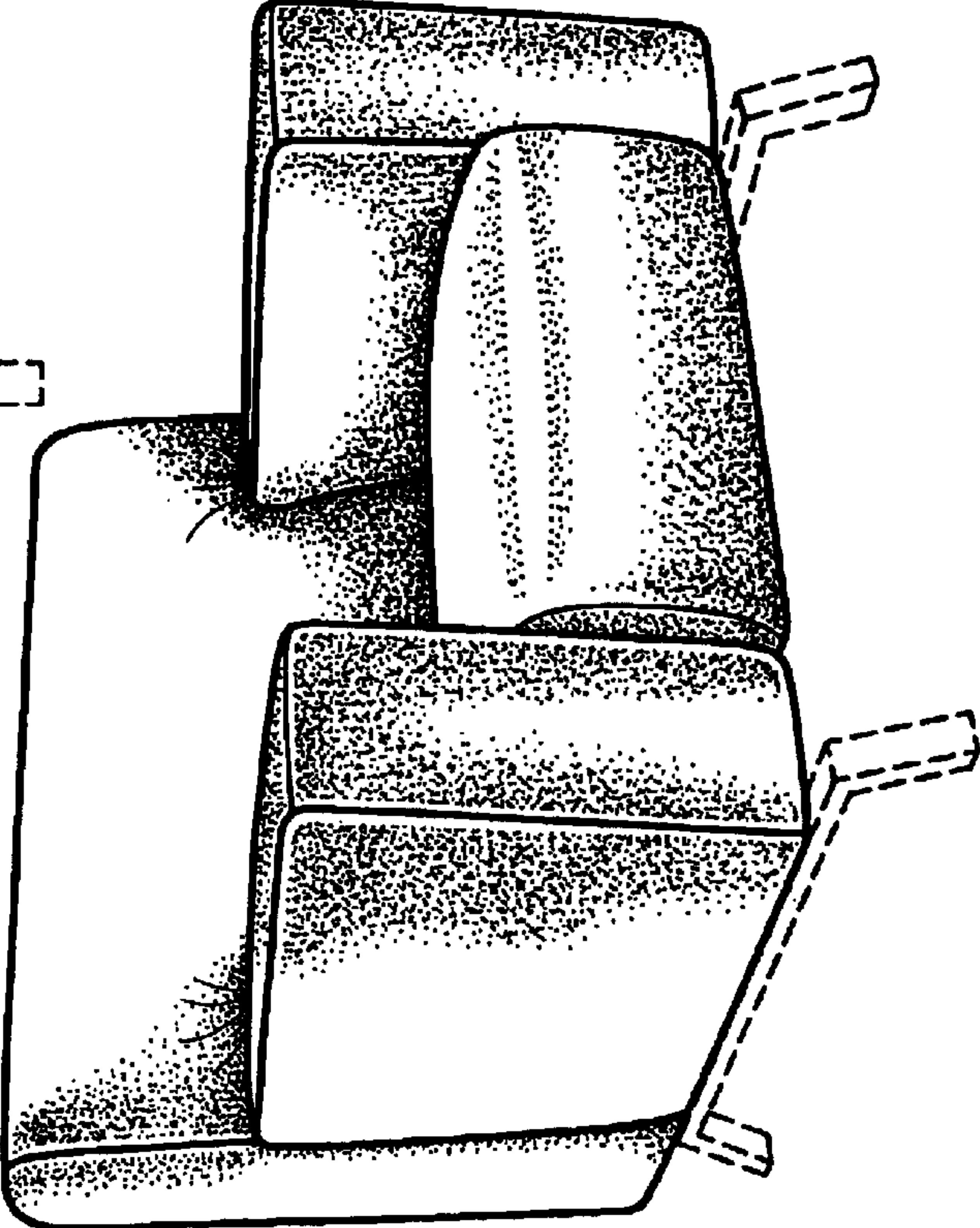


Fig. 5

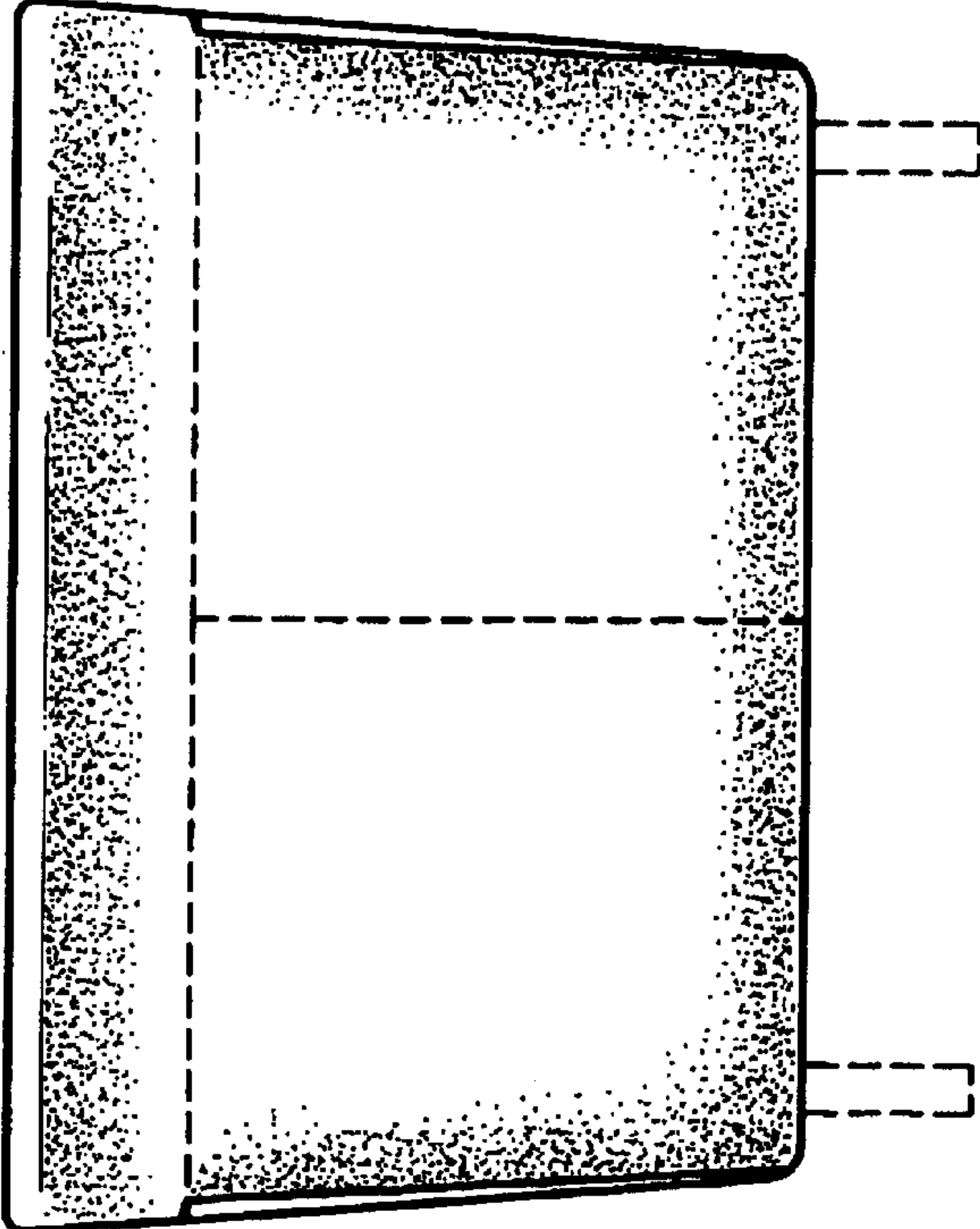


Fig. 7

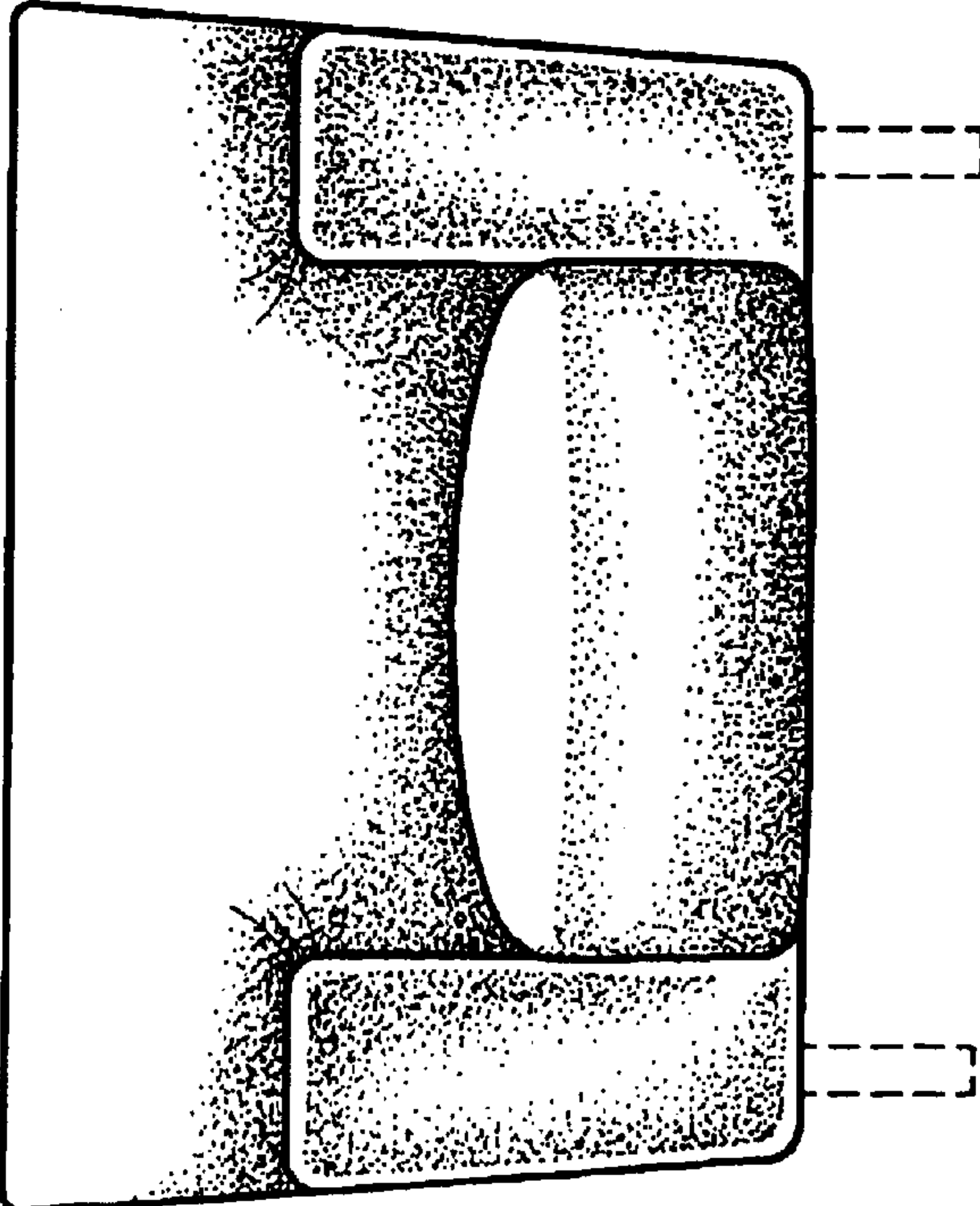


Fig. 6