

US00D495891S1

(12) **United States Design Patent**
Ambasz

(10) **Patent No.:** **US D495,891 S**
(45) **Date of Patent:** **** Sep. 14, 2004**

(54) **CHAIR**

(75) Inventor: **Emilio Ambasz, Buenos Aires (AR)**

(73) Assignee: **Center For Design Research And Development N.V. (AN)**

(**) Term: **14 Years**

(21) Appl. No.: **29/169,398**

(22) Filed: **Oct. 18, 2002**

(51) **LOC (7) Cl.** **06-01**

(52) **U.S. Cl.** **D6/374; D6/379; D6/380**

(58) **Field of Search** **D6/334, 335, 367, D6/368, 374, 379, 380, 500, 501, 502; 297/39, 40, 41, 55, 58, 411.2**

(56) **References Cited**

U.S. PATENT DOCUMENTS

D214,267 S	*	5/1969	Moore et al.	D6/368
D418,322 S	*	1/2000	Hock	D6/374
D435,977 S	*	1/2001	Ambasz	D6/368
D436,457 S	*	1/2001	Ambasz	D6/368
D440,784 S	*	4/2001	Ambasz	D6/368
D446,661 S	*	8/2001	Ambasz	D6/368
D455,568 S	*	4/2002	Leng et al.	D6/368
D457,336 S	*	5/2002	Leng et al.	D6/368
D476,495 S	*	7/2003	Tsai	D6/380
D477,470 S	*	7/2003	Haney et al.	D6/368

* cited by examiner

Primary Examiner—Gary D. Watson

(74) *Attorney, Agent, or Firm*—Baker Botts LLP

(57) **CLAIM**

The ornamental design for a chair, as shown and described.

DESCRIPTION

FIG. 1 is a front view of a first embodiment of a chair showing my new design;

FIG. 2 is a top view of the chair of FIG. 1 illustrating armrests in one position;

FIG. 3 is another top view of the chair of FIG. 1 illustrating armrests in another position;

FIG. 4 is a rear view of the chair of FIG. 1;

FIG. 5 is a left side view of the chair of FIG. 1;

FIG. 6 is a right side view of the chair of FIG. 1;

FIG. 7 is a bottom view of the chair of FIG. 1

FIG. 8 is a front view of a second embodiment of the chair showing my new design;

FIG. 9 is a top view of the chair of FIG. 8;

FIG. 10 is a rear view of the chair of FIG. 8;

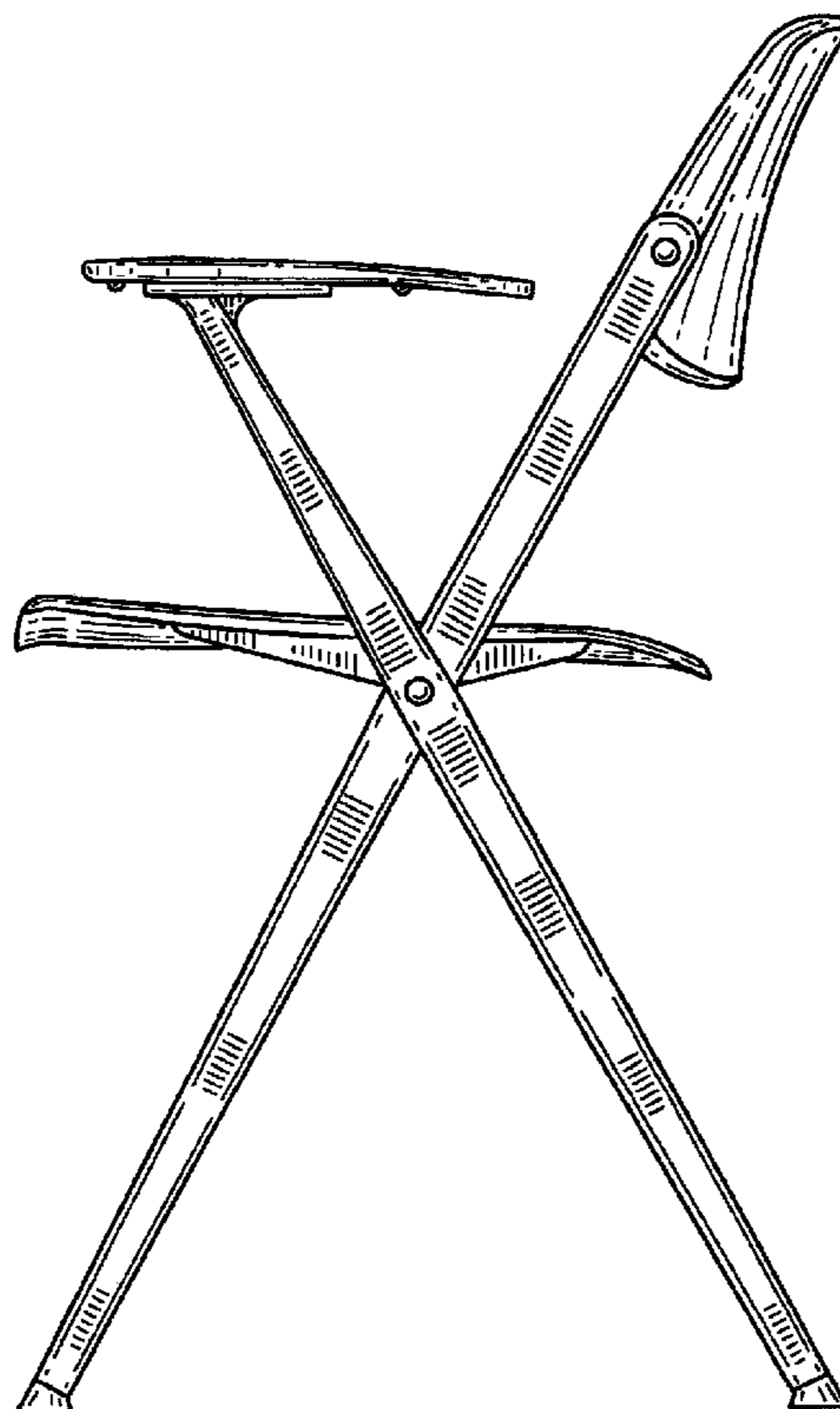
FIG. 11 is a left side view of the chair of FIG. 8;

FIG. 12 is a right side view of the chair of FIG. 8; and,

FIG. 13 is a bottom side view of the chair of FIG. 8.

The portions of the chair that are not shown in the drawings, if any, do not form any part of the claimed design.

1 Claim, 13 Drawing Sheets



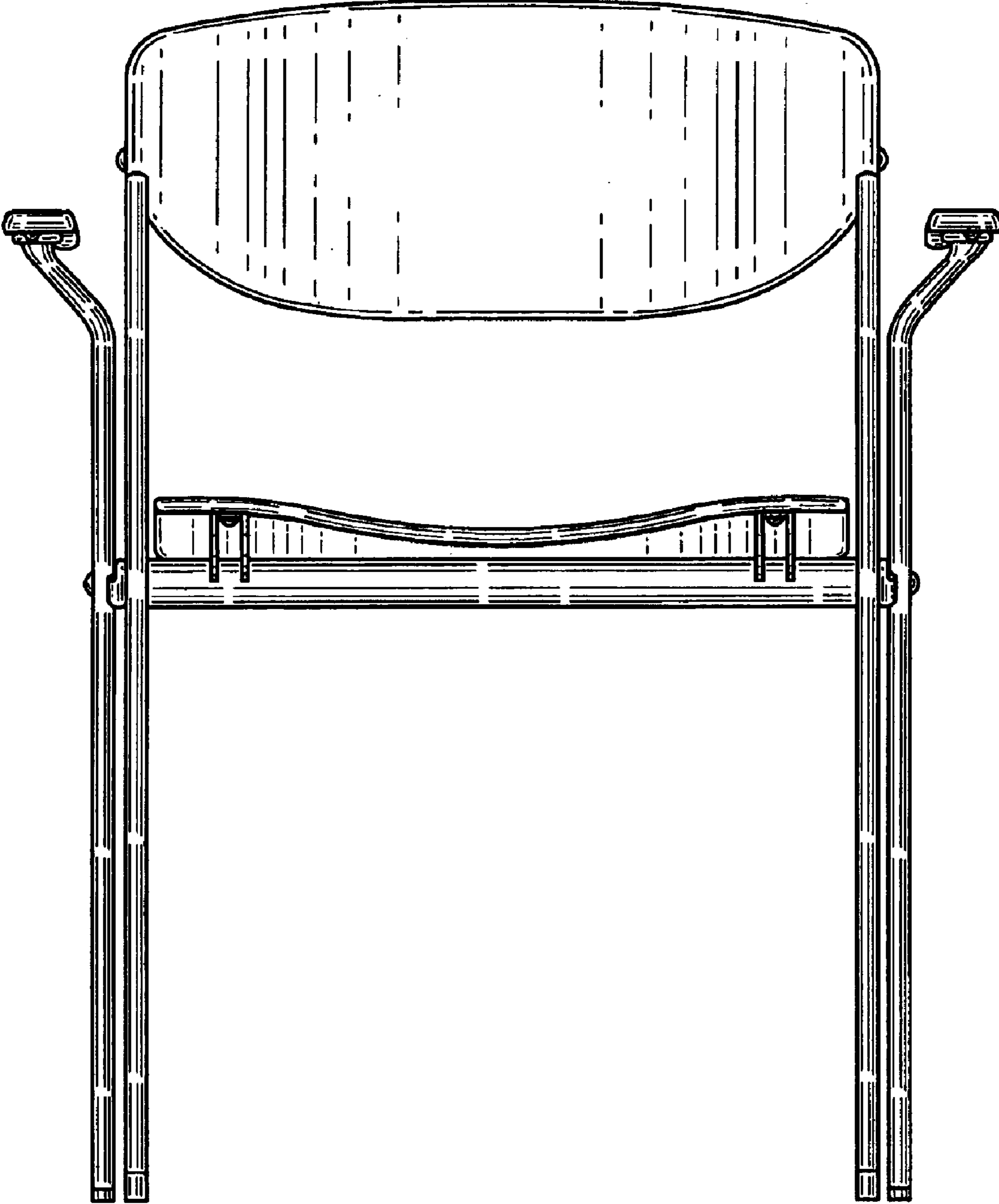


FIG. 1

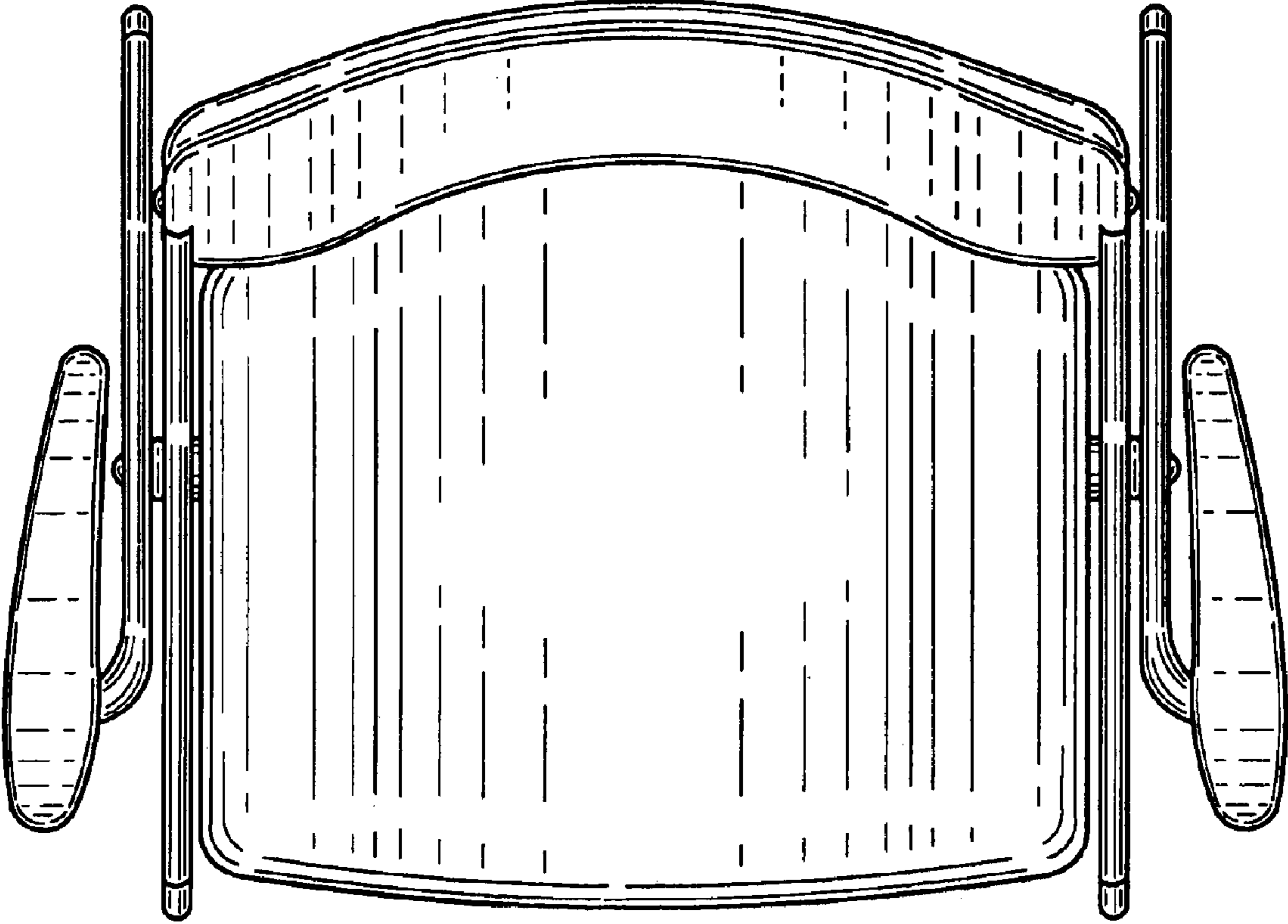


FIG. 2

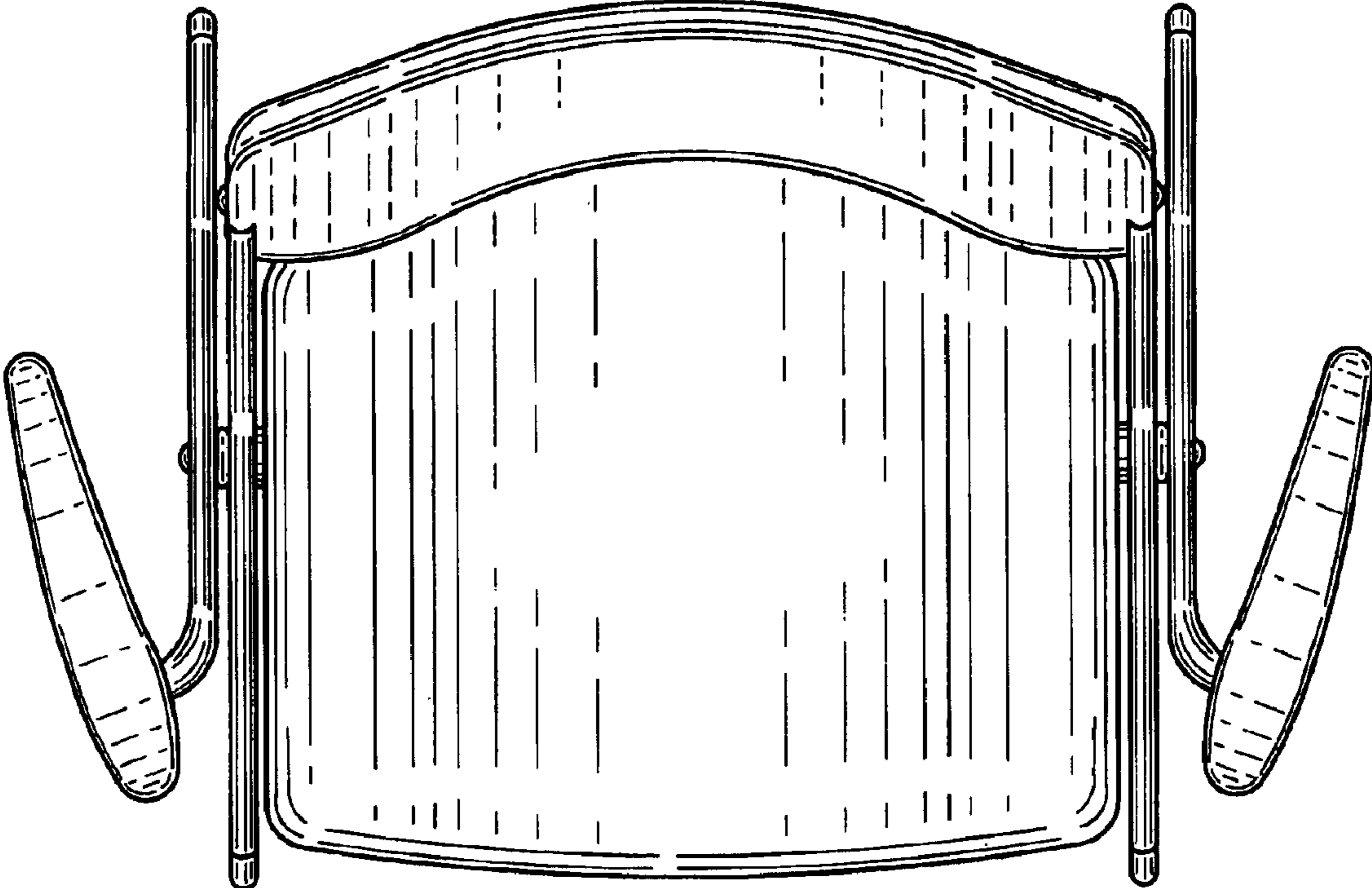


FIG. 3

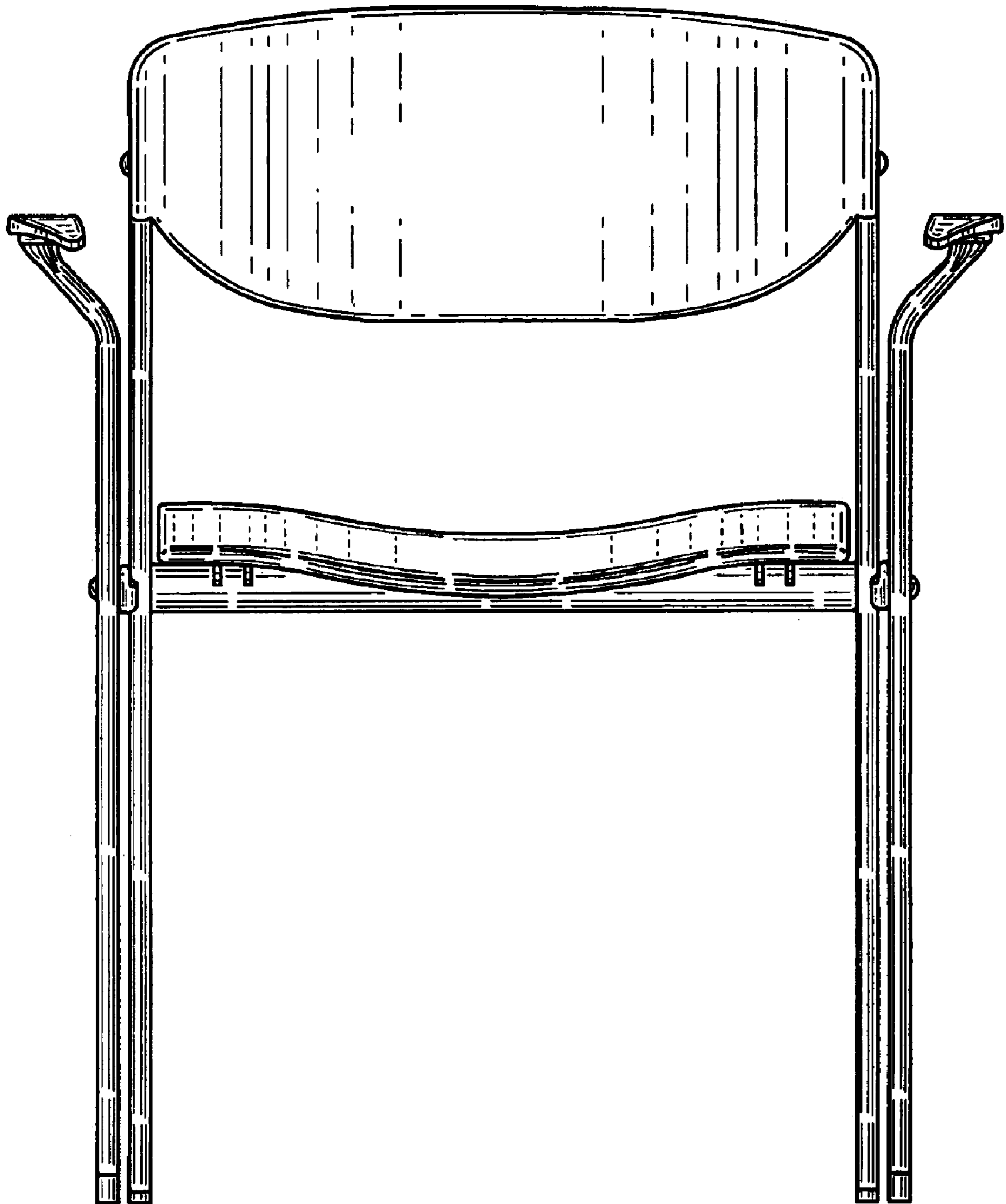


FIG. 4

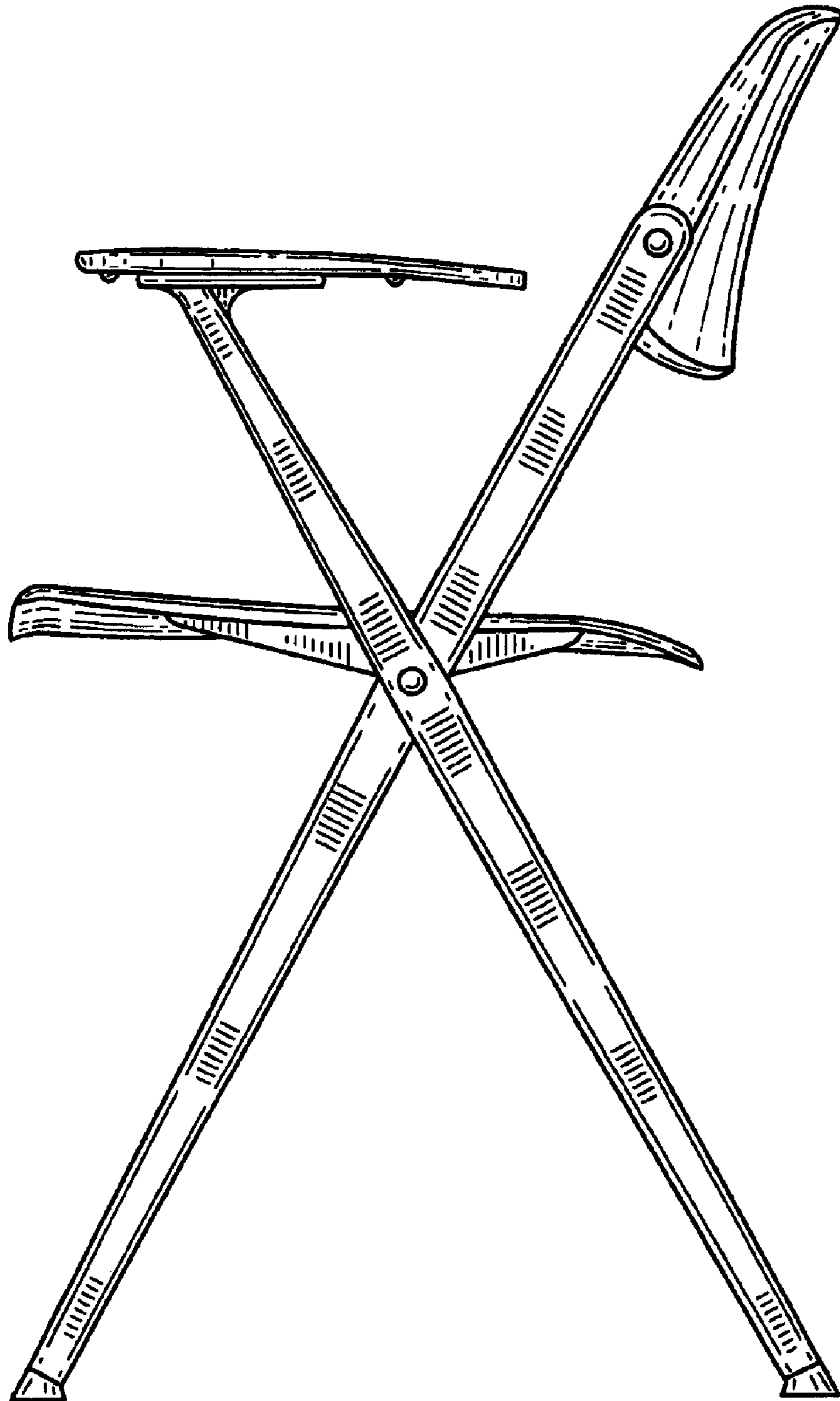


FIG. 5

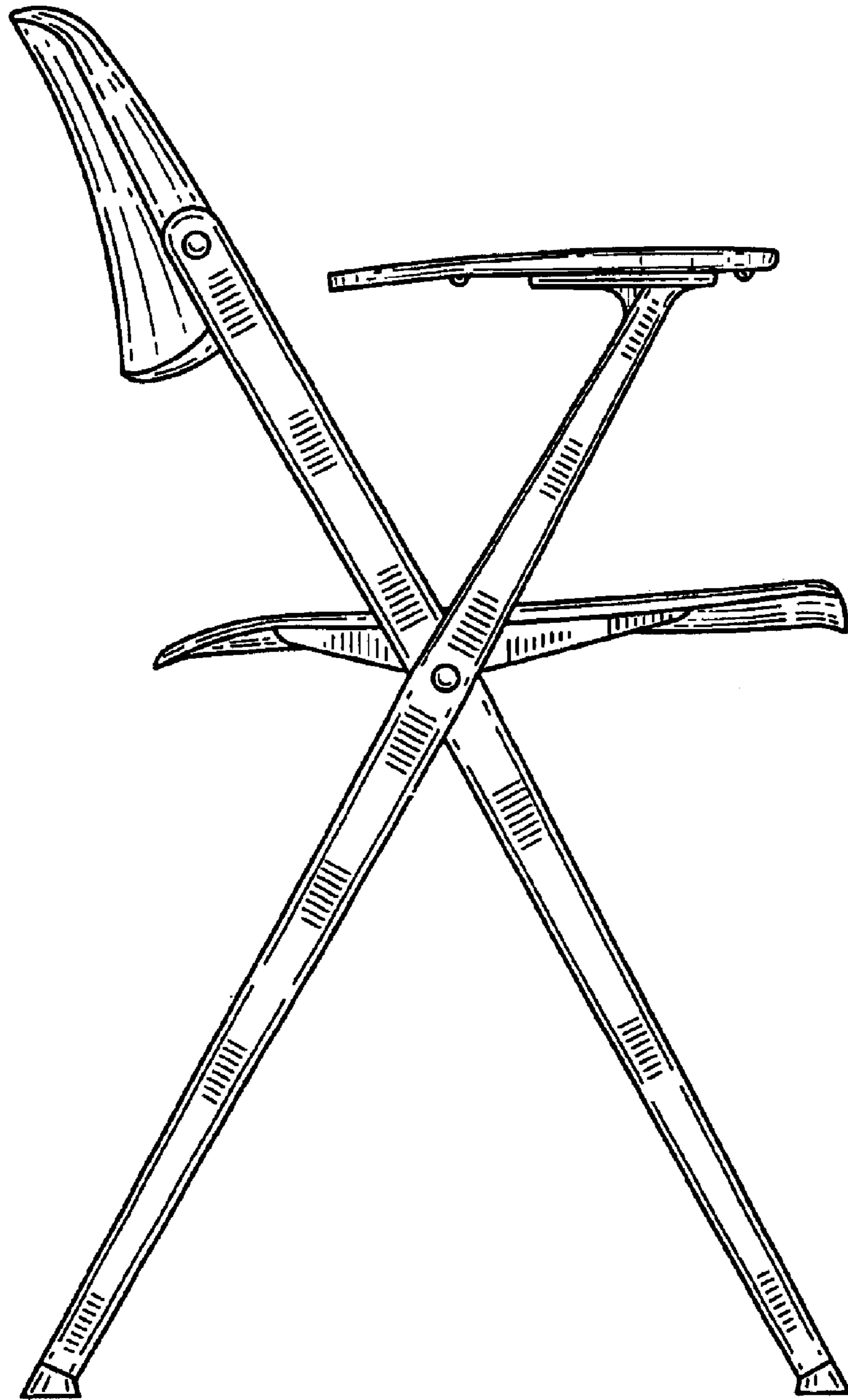


FIG. 6

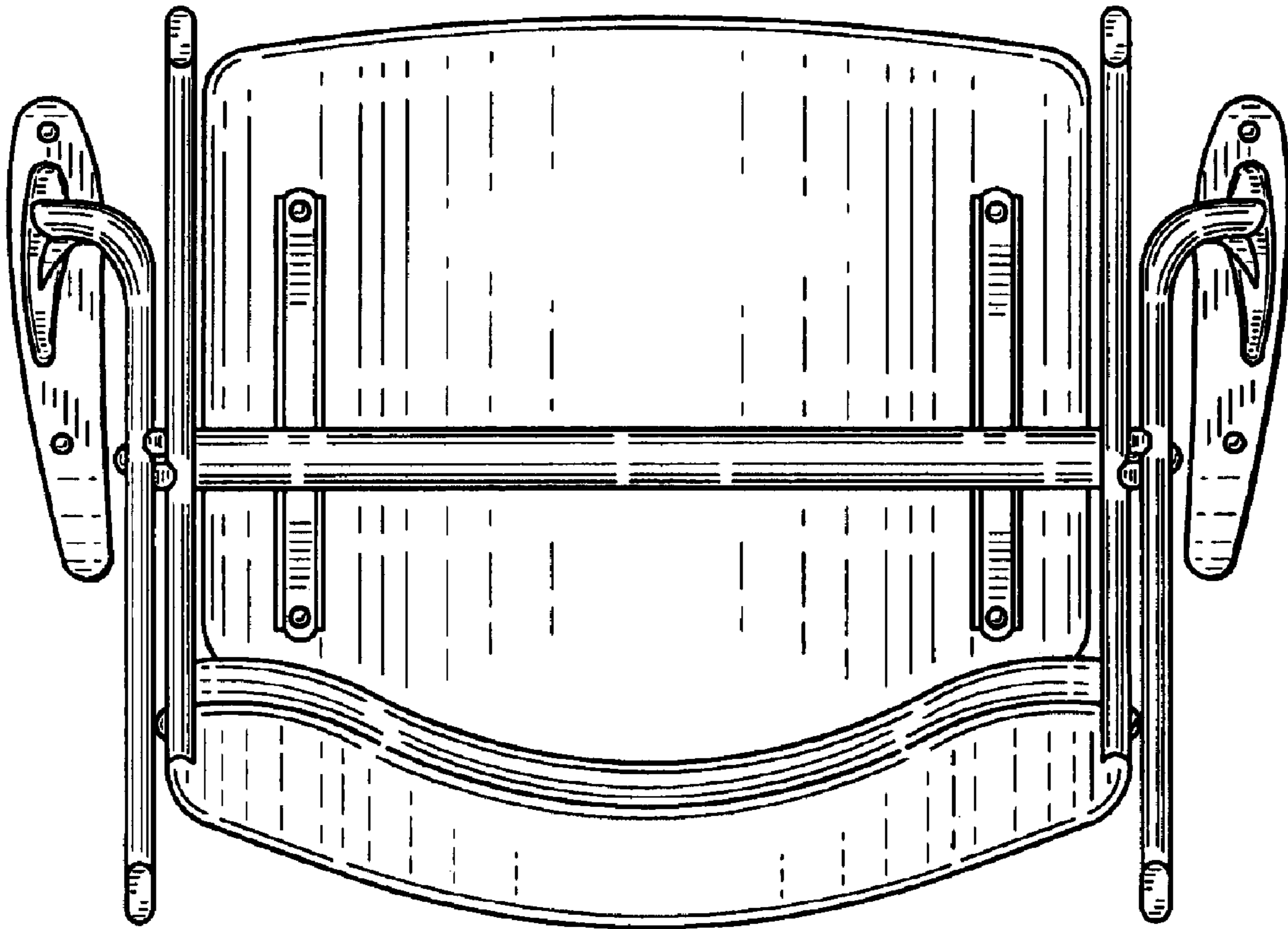


FIG. 7

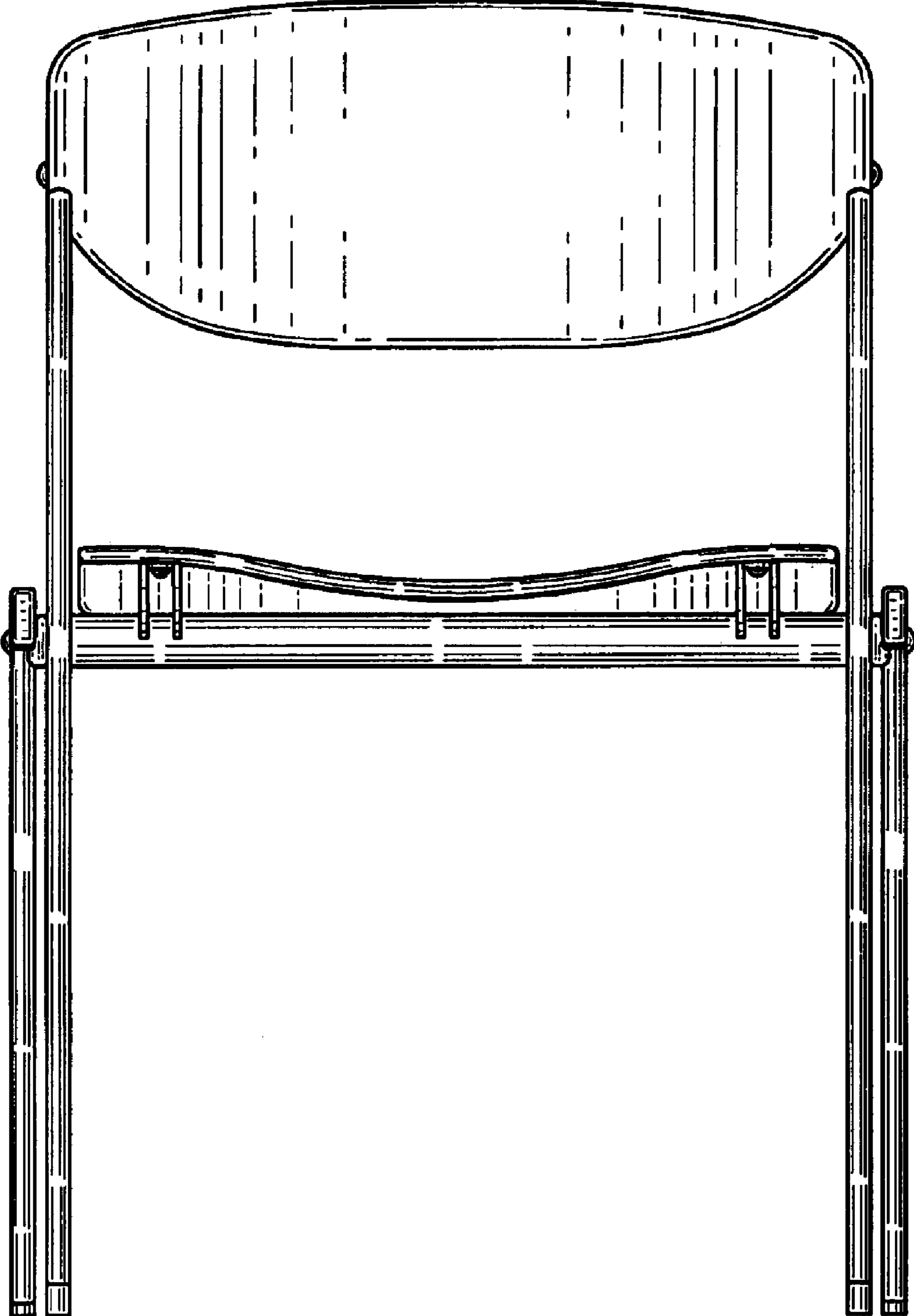


FIG. 8

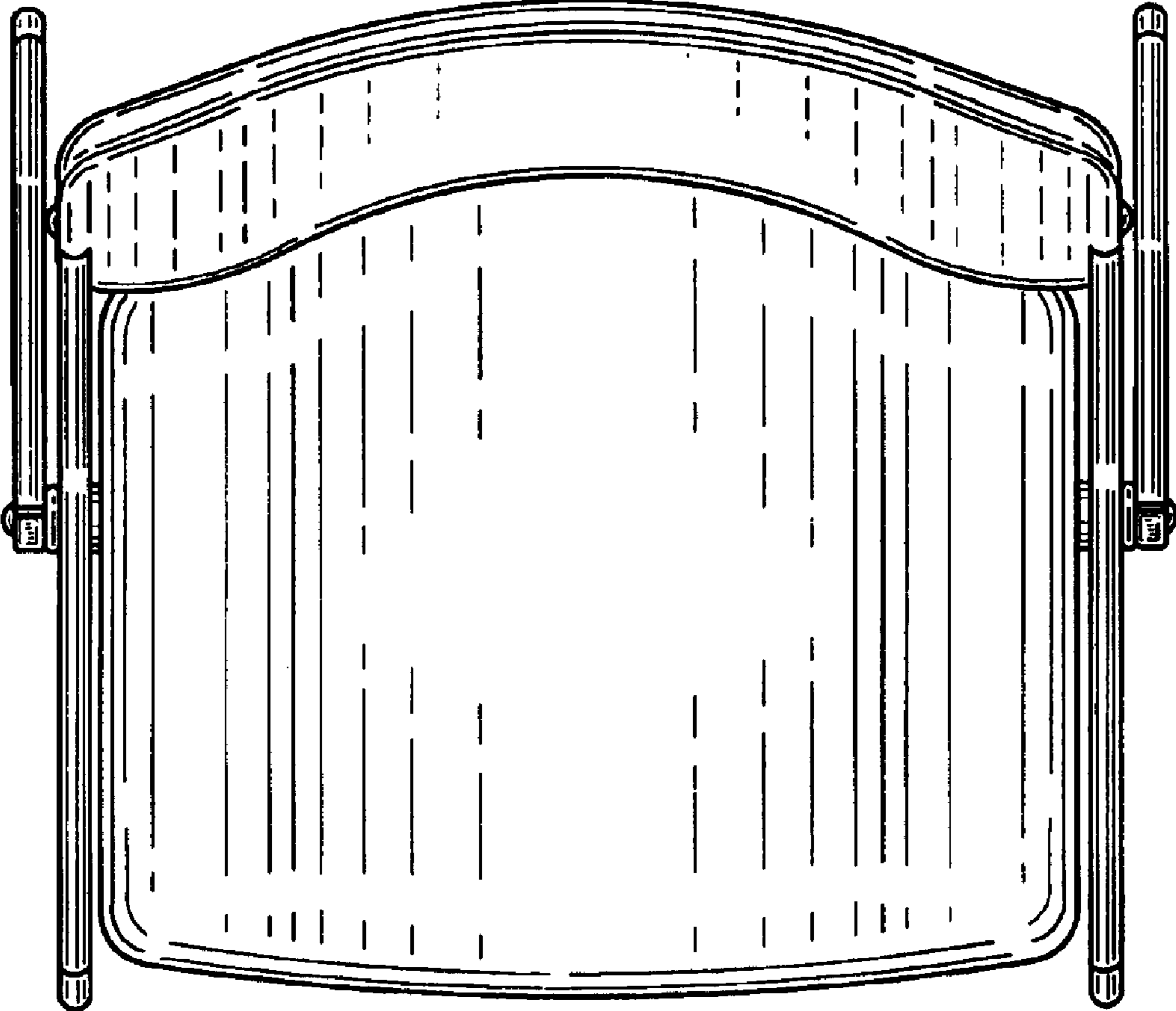


FIG. 9

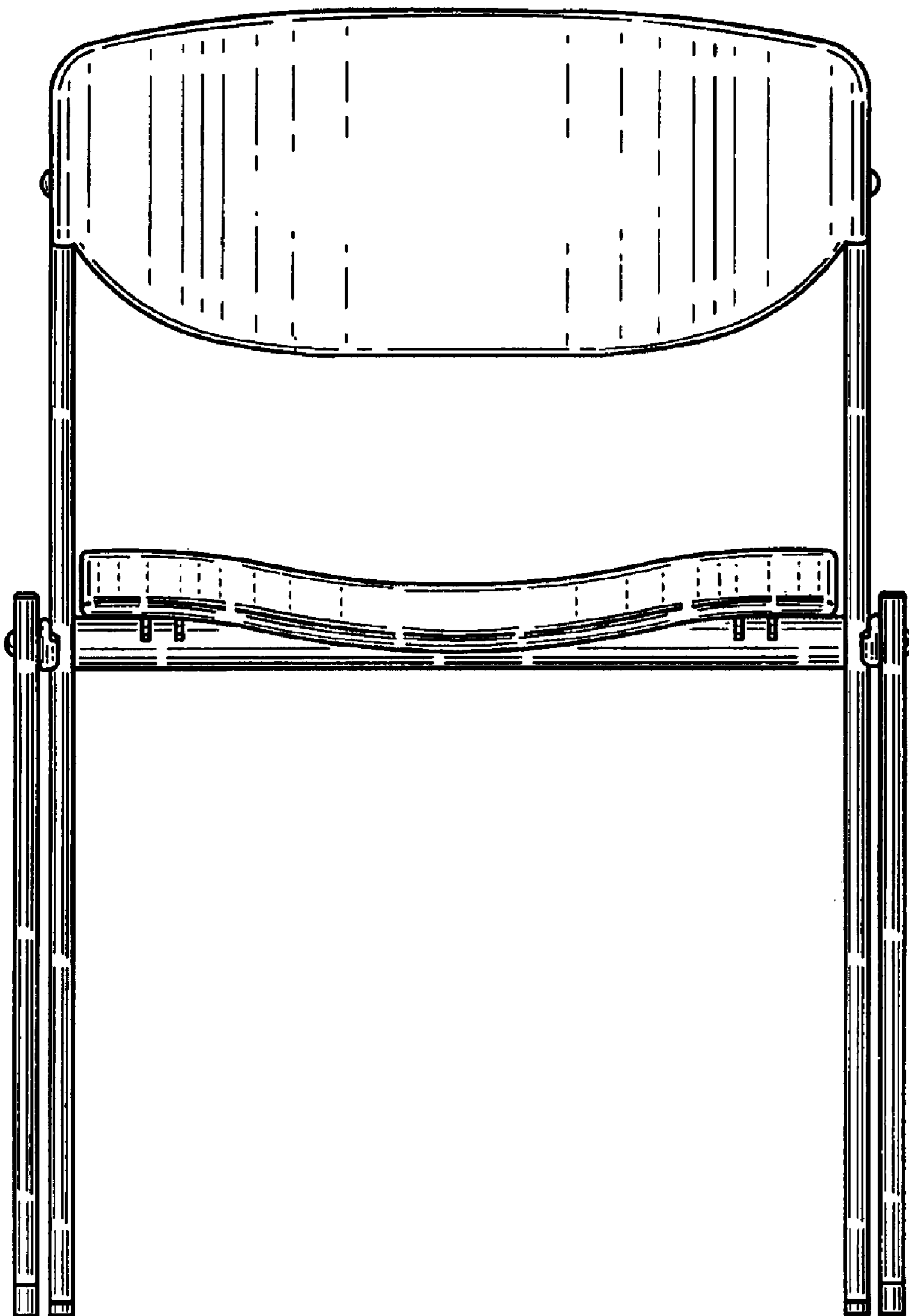


FIG. 10

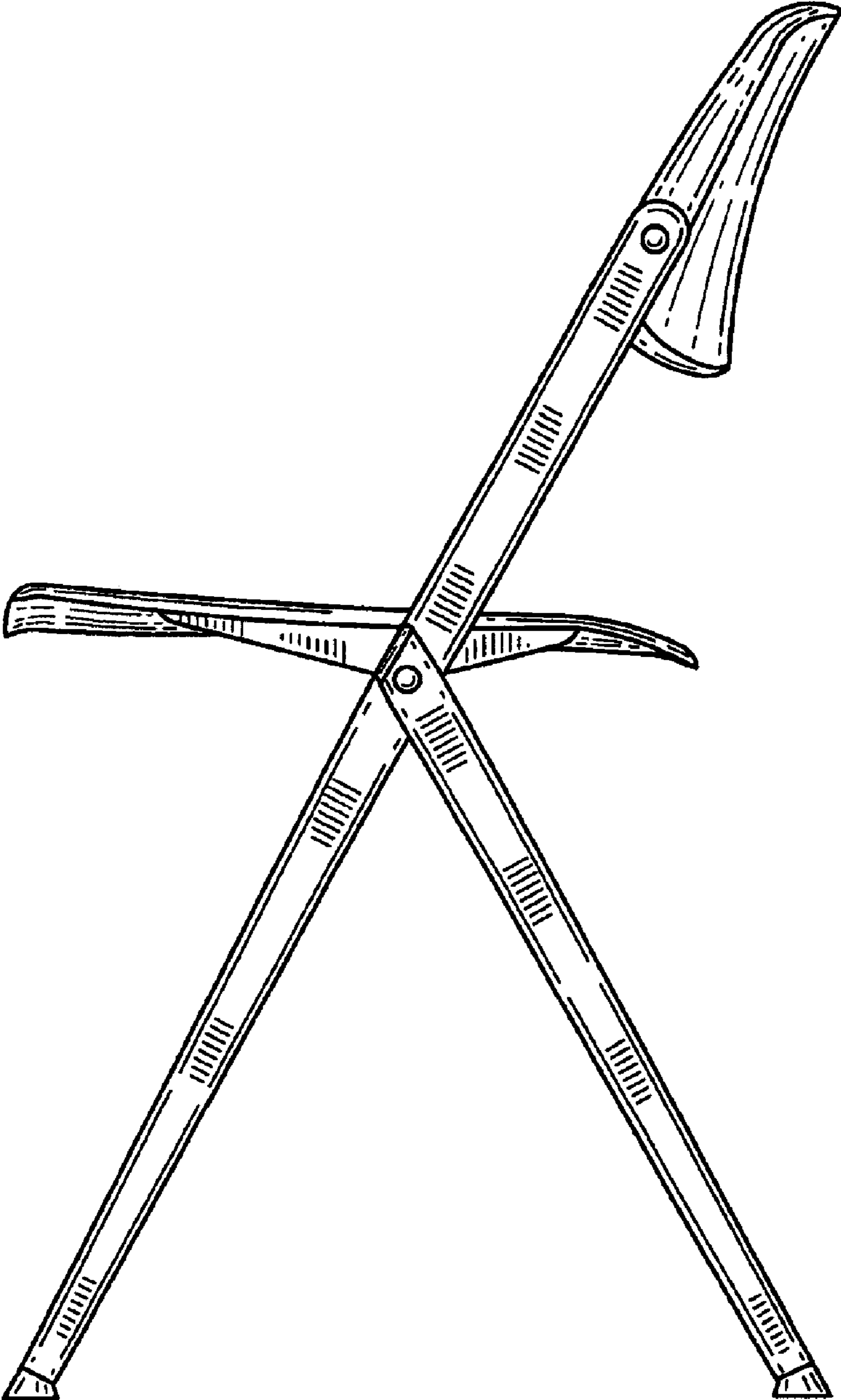


FIG. 11

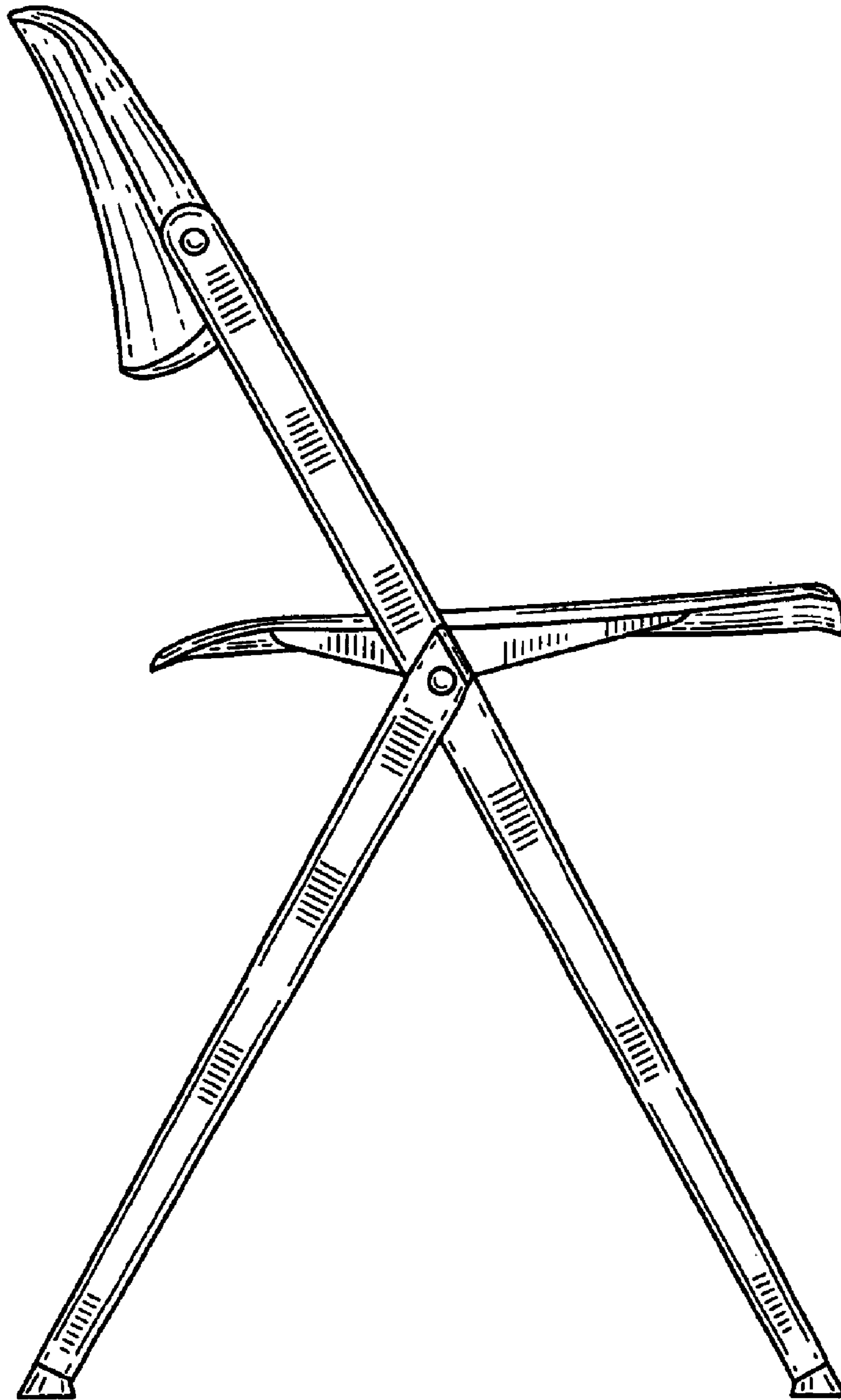


FIG. 12

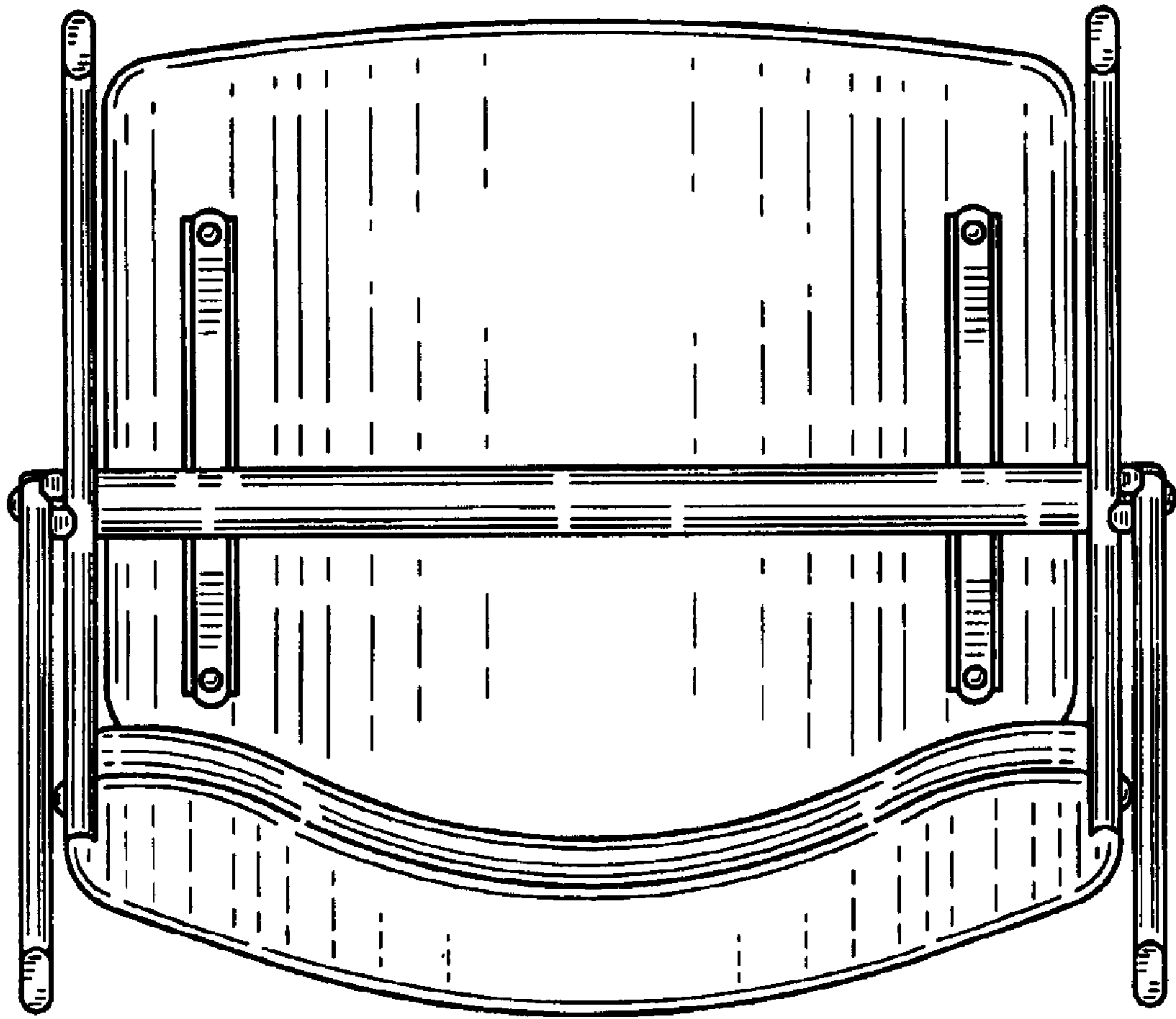


FIG. 13