

US00D495878S1

(12) **United States Design Patent**
Greene

(10) **Patent No.: US D495,878 S**

(45) **Date of Patent: ** Sep. 14, 2004**

(54) **TRACTOR TOOL BOX WITH INDENTED TOP**

(75) Inventor: **Michael Greene**, Reno, NV (US)

(73) Assignee: **Thinking Outside, L.L.C.**, Detroit, MI (US)

(**) Term: **14 Years**

(21) Appl. No.: **29/190,035**

(22) Filed: **Sep. 11, 2003**

(51) **LOC (7) Cl.** **03-01**

(52) **U.S. Cl.** **D3/274; D3/905; D12/419; 224/410; D15/28**

(58) **Field of Search** **D3/273, 294, 295, D3/274, 905; D12/415, 416, 419, 421; 206/349, 373; 296/37.15; 224/408, 410; D15/28**

(56) **References Cited**

U.S. PATENT DOCUMENTS

3,058,771	A	*	10/1962	Hill et al.	296/37.15
D247,775	S	*	4/1978	Watson-O'Hara	D12/410
D254,581	S	*	4/1980	Linto	D6/336
D275,012	S	*	8/1984	Sonnek	D15/28
4,596,347	A	*	6/1986	Hite	224/410

D317,409	S	*	6/1991	Chiarella	D3/294
D372,360	S	*	8/1996	Burns et al.	D3/273
D381,807	S	*	8/1997	Pickle	D3/273
5,718,534	A	*	2/1998	Neuling	404/94
D410,620	S	*	6/1999	Sacco et al.	D12/415
6,179,182	B1	*	1/2001	Hayes	224/408
D460,635	S	*	7/2002	Lieberman et al.	D6/406.3
6,425,510	B1	*	7/2002	King	224/401

* cited by examiner

Primary Examiner—Philip S. Hyder

(74) *Attorney, Agent, or Firm*—Townsend and Townsend and Crew LLP

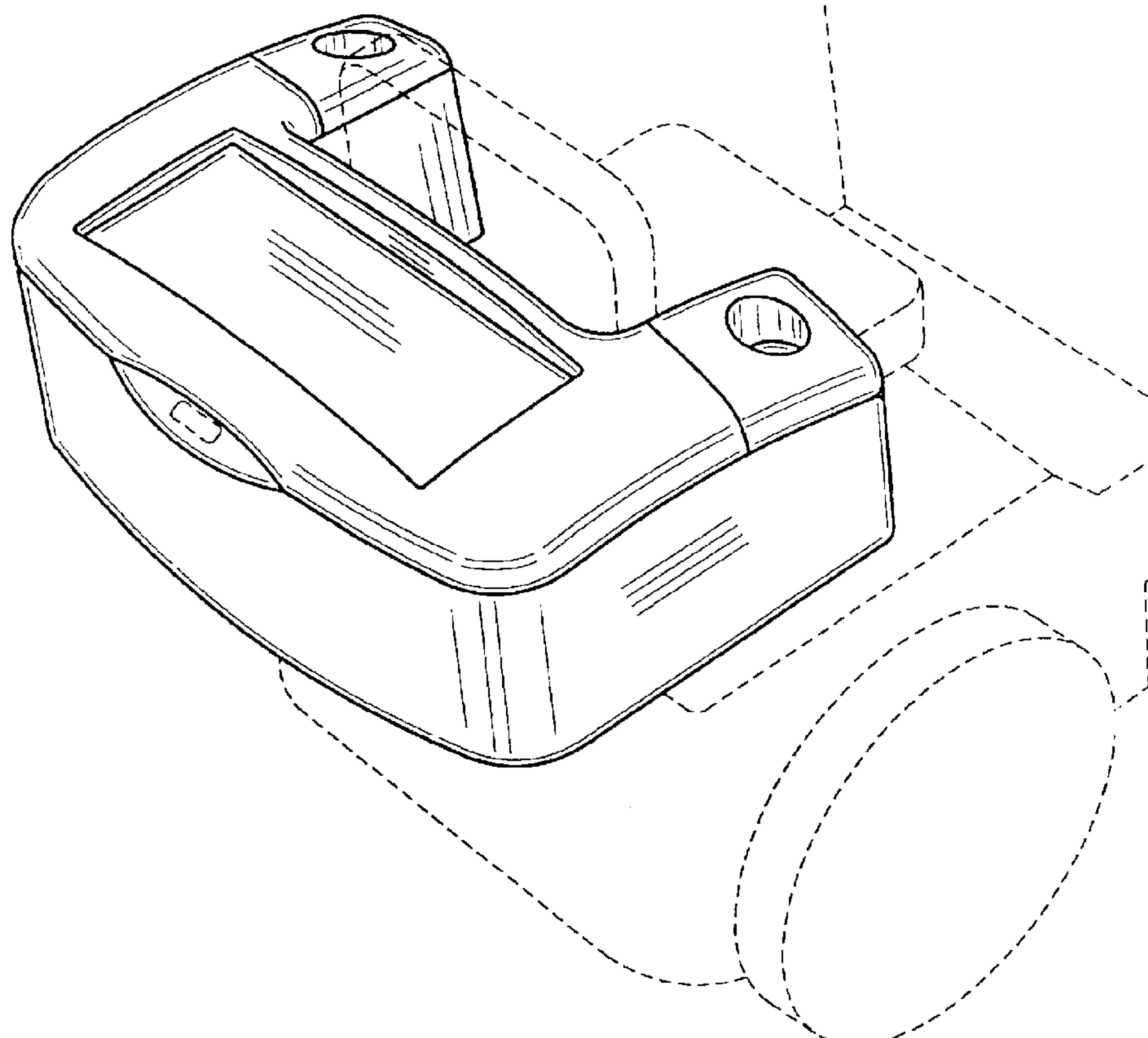
(57) **CLAIM**

The ornamental design for tractor tool box with indented top, as shown and described.

DESCRIPTION

FIG. 1 is a perspective view of a tractor tool box with indented top showing my new design; FIG. 2 is a top plan view thereof; FIG. 3 is a rear elevational view thereof; and, FIG. 4 is a right side elevational view, the left side elevational view being a mirror image thereof. The broken line portions of the disclosure are for illustrative purposes only and form no part of the claimed design.

1 Claim, 3 Drawing Sheets



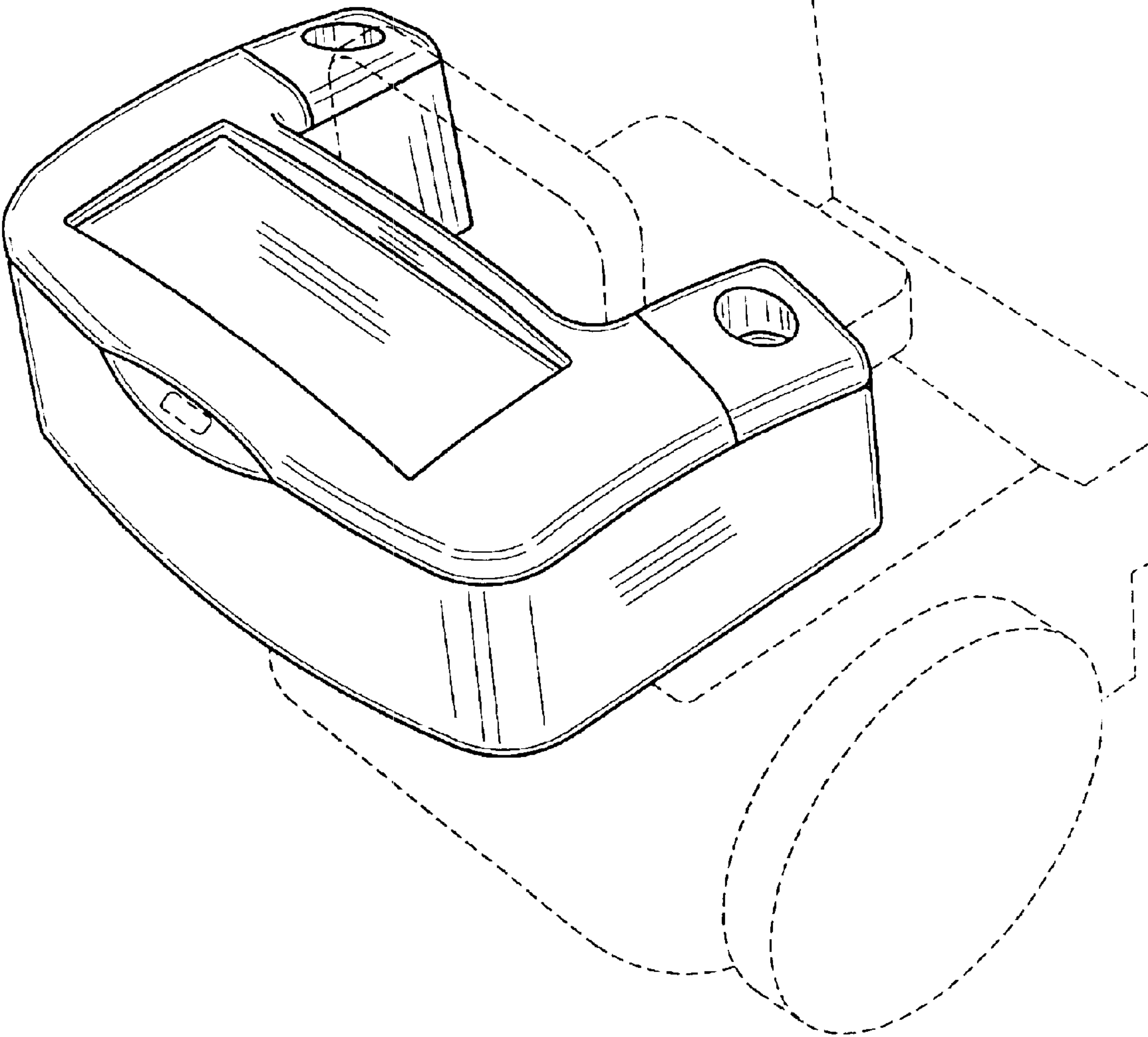


FIG. 1

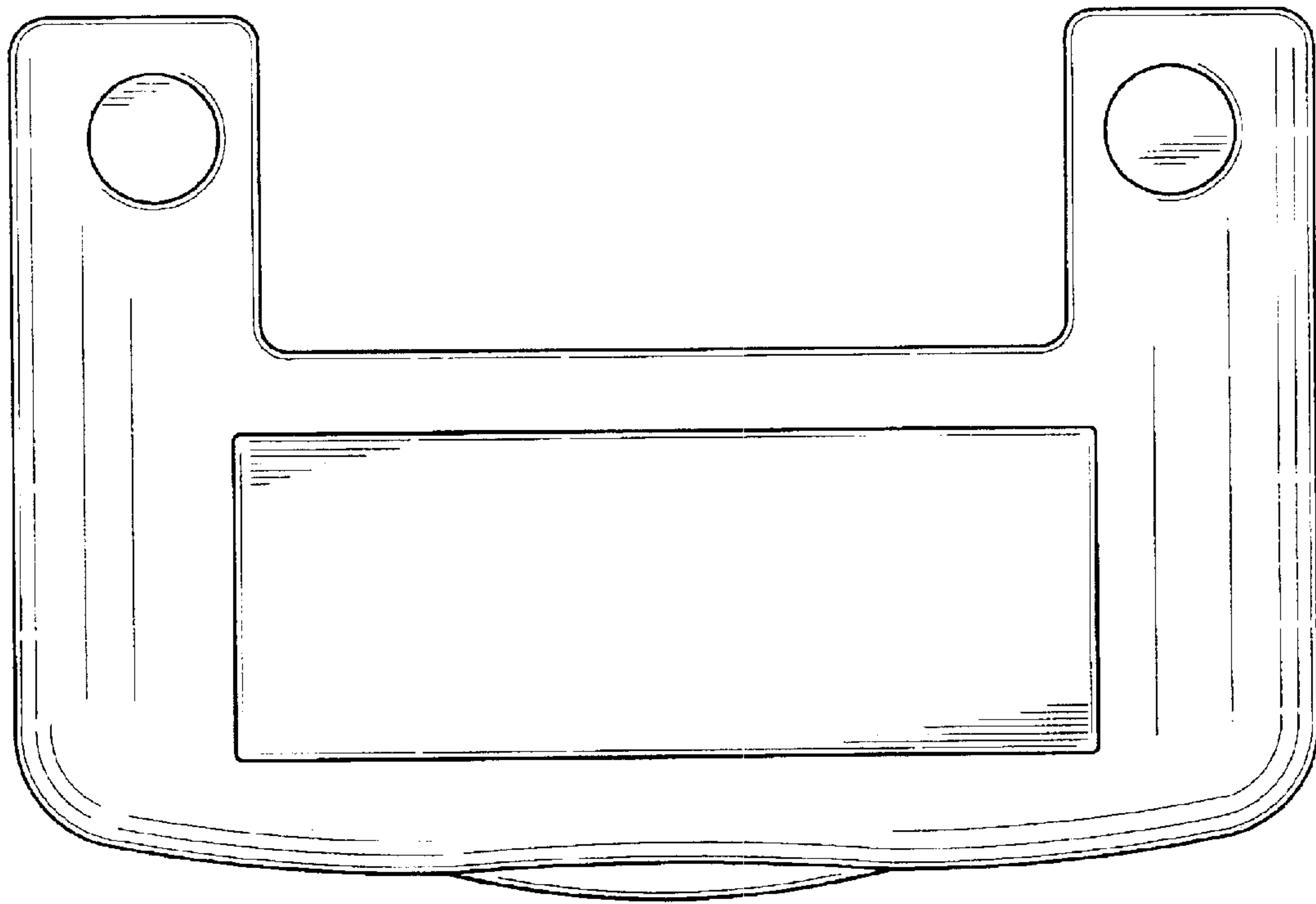


FIG. 2

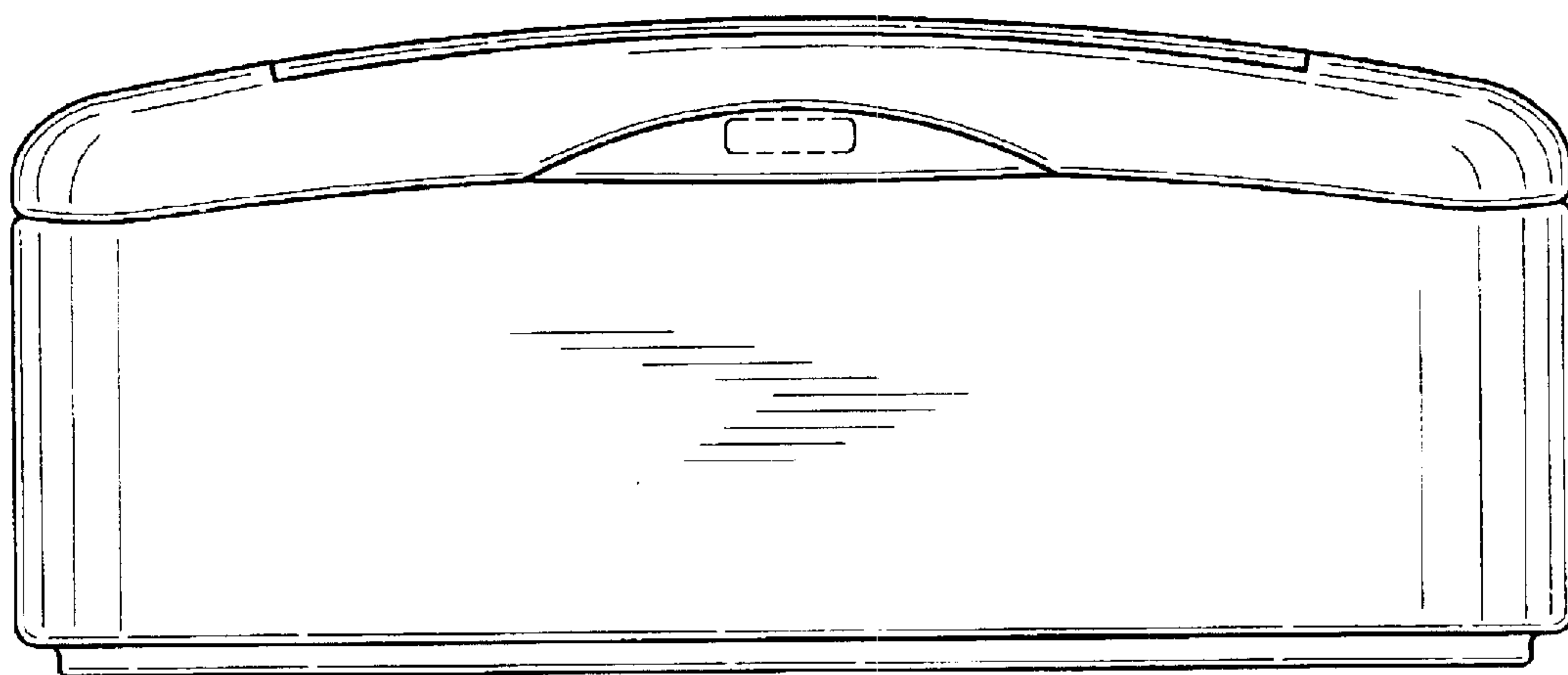


FIG. 3

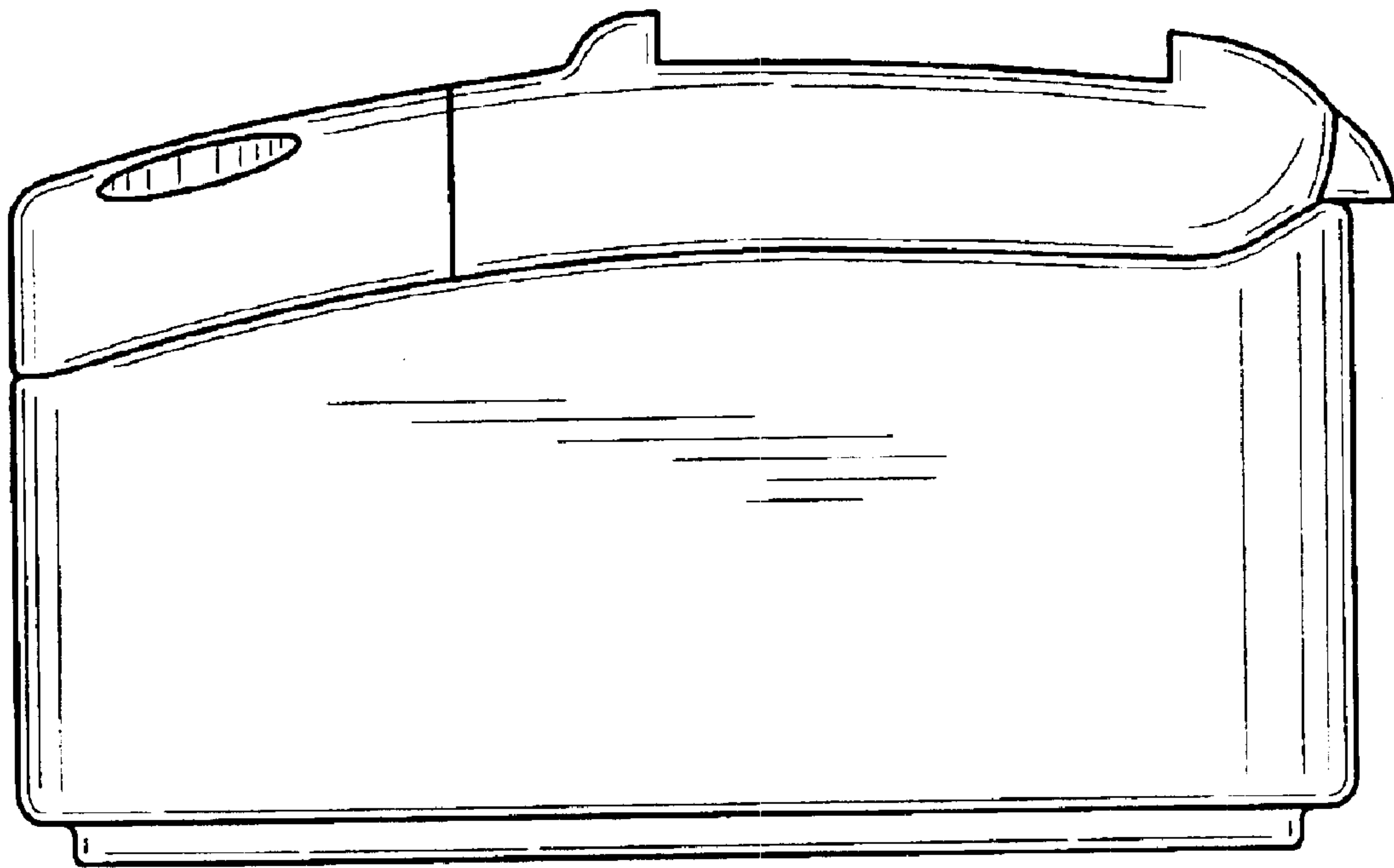


FIG. 4