

US00D495858S1

(12) **United States Design Patent**
McClaskie

(10) **Patent No.:** **US D495,858 S**

(45) **Date of Patent:** **** Sep. 14, 2004**

(54) **OUTSOLE**

(75) **Inventor:** **Thomas E. McClaskie**, Bethlehem, PA
(US)

(73) **Assignee:** **Columbia Insurance Company**,
Omaha, NE (US)

(**) **Term:** **14 Years**

(21) **Appl. No.:** **29/181,558**

(22) **Filed:** **May 13, 2003**

(51) **LOC (7) Cl.** **02-04**

(52) **U.S. Cl.** **D2/960; D2/947; D2/956;**
D2/957

(58) **Field of Search** **D2/902, 946-949,**
D2/951-960; 36/3 B, 22 R, 25 R, 32 A,
32 R

(56) **References Cited**

U.S. PATENT DOCUMENTS

D284,519 S	*	7/1986	Braga et al.	D2/951
D297,981 S	*	10/1988	Gerber et al.	D2/960
4,785,557 A	*	11/1988	Kelley et al.	36/32 R
D318,365 S	*	7/1991	Thornton	D2/960
D325,805 S	*	5/1992	Herber	D2/923
D330,629 S	*	11/1992	Bramani	D2/960
D331,488 S	*	12/1992	Norton et al.	D2/951
D368,796 S	*	4/1996	Fabio	D2/960
D375,616 S	*	11/1996	Baker et al.	D2/960
D388,597 S	*	1/1998	Gavigan	D2/960
D394,142 S	*	5/1998	Merceron	D2/960

D394,143 S	*	5/1998	Sink	D2/960
D414,922 S	*	10/1999	Wright	D2/960
D423,202 S	*	4/2000	Lubart	D2/961
D426,945 S	*	6/2000	Edwards	D2/951
D432,294 S	*	10/2000	Wilson	D2/960
D442,358 S	*	5/2001	Nason	D2/960
D482,187 S	*	11/2003	McClaskie	D2/960

* cited by examiner

Primary Examiner—Celia A. Murphy

(74) *Attorney, Agent, or Firm*—St. Onge Steward Johnston
& Reens LLC

(57) **CLAIM**

I claim the ornamental design for an outsole, as shown and described.

DESCRIPTION

FIG. 1 is a bottom plan view of an outsole showing my new design;

FIG. 2 is a right side elevational view thereof;

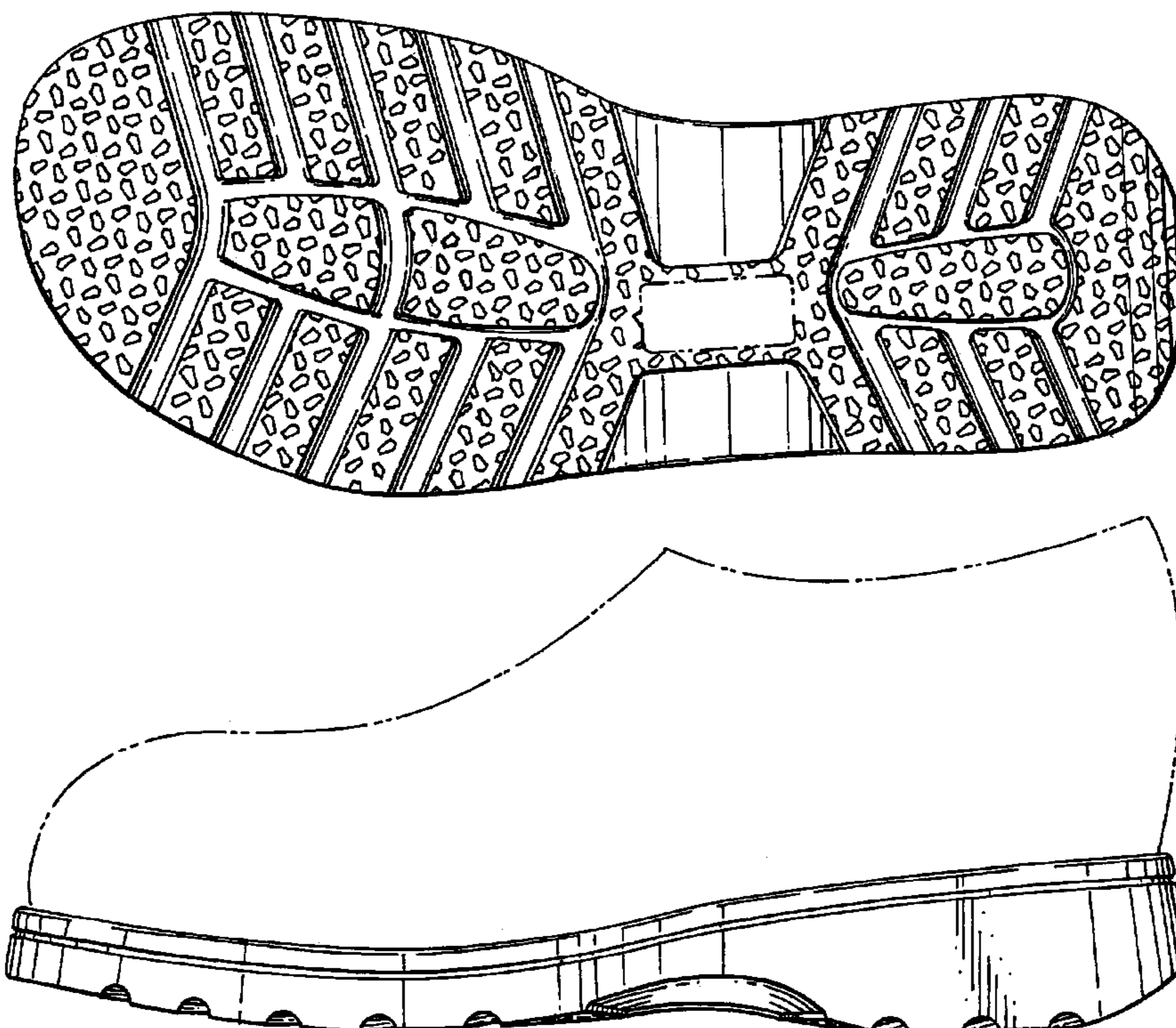
FIG. 3 is a left side elevational view thereof;

FIG. 4 is a front elevational view thereof; and,

FIG. 5 is a rear elevational view thereof.

The broken line showing a shoe upper in the views, illustrates the portion of the design that forms no part of the claim. The broken line showing a rectangular shape on the arch, represents the boundary of the design, the area within, forming no part of the claim. None of the broken lines forms any part of the claim.

1 Claim, 4 Drawing Sheets



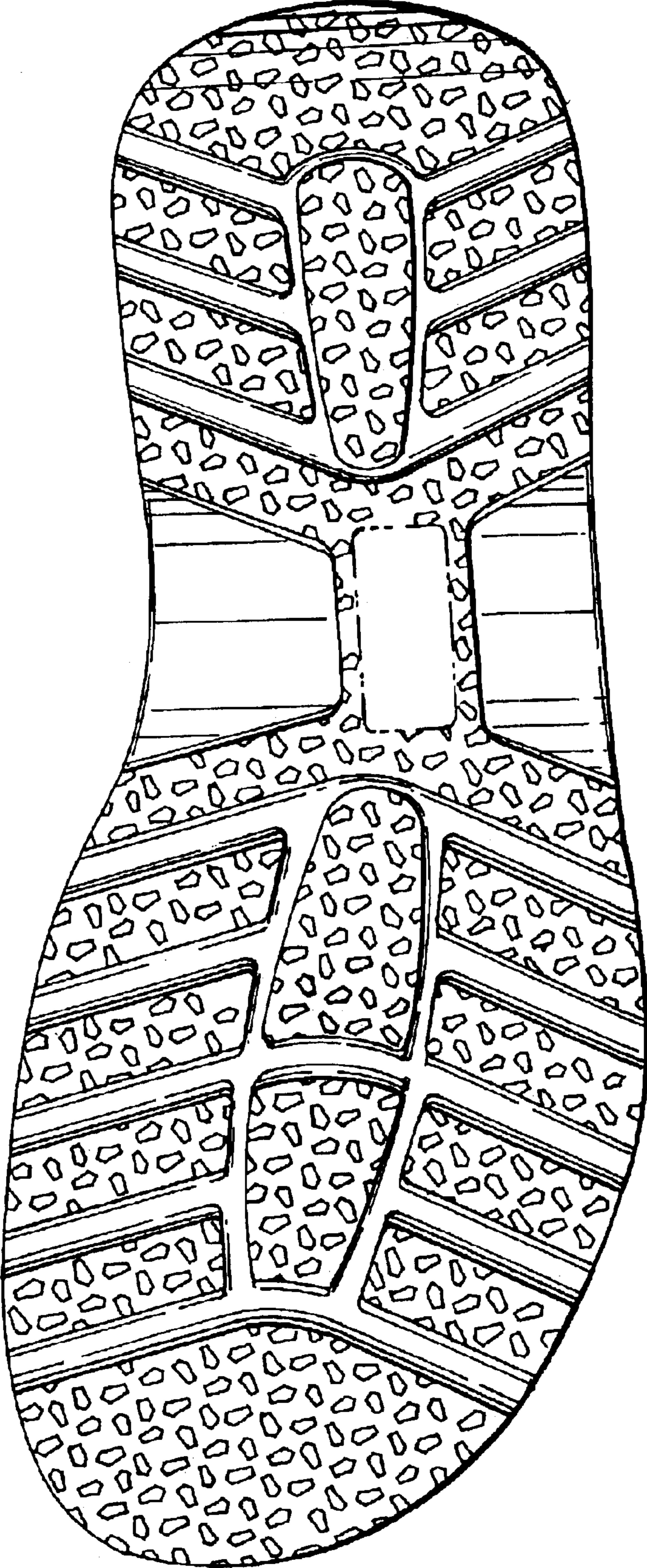


FIG. 1

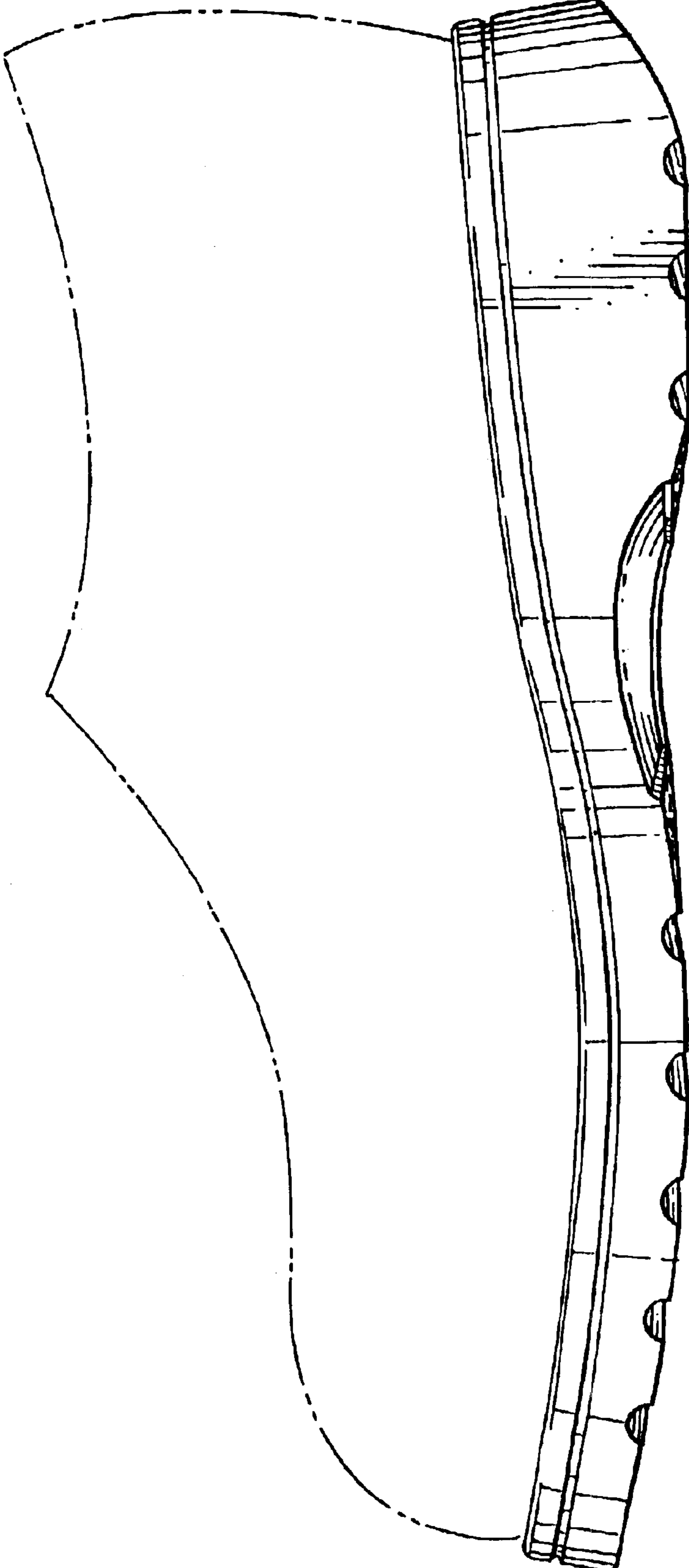


FIG. 2

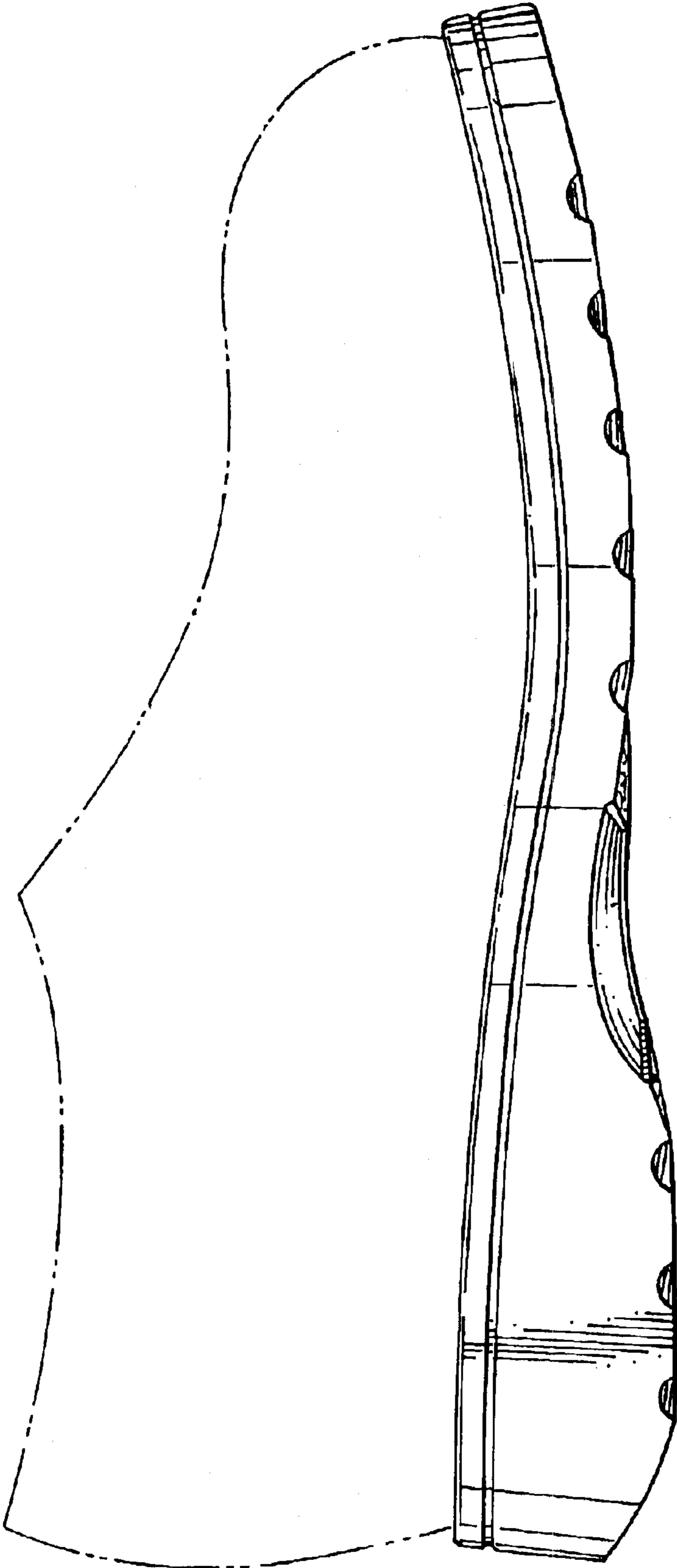


FIG. 3

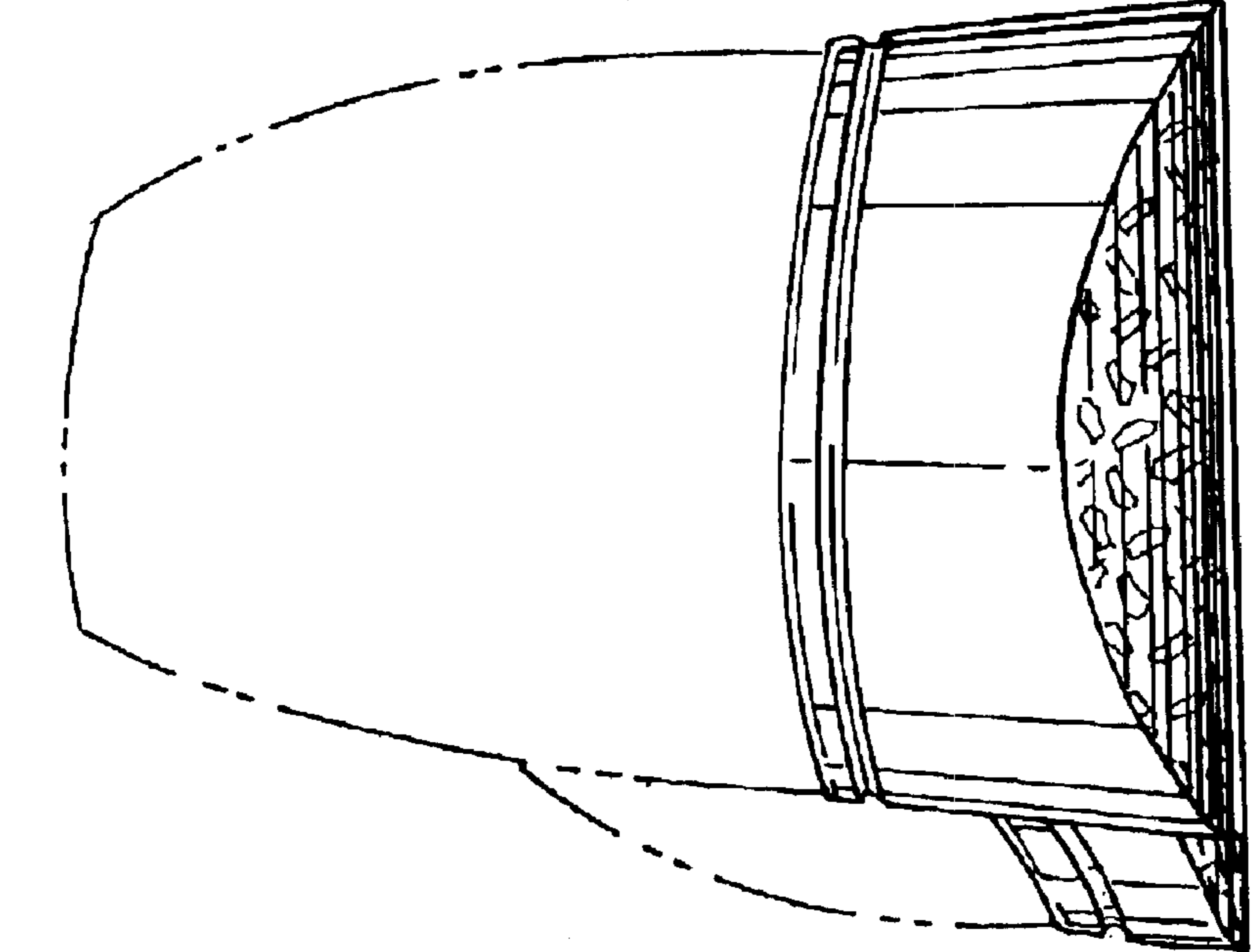


FIG. 4

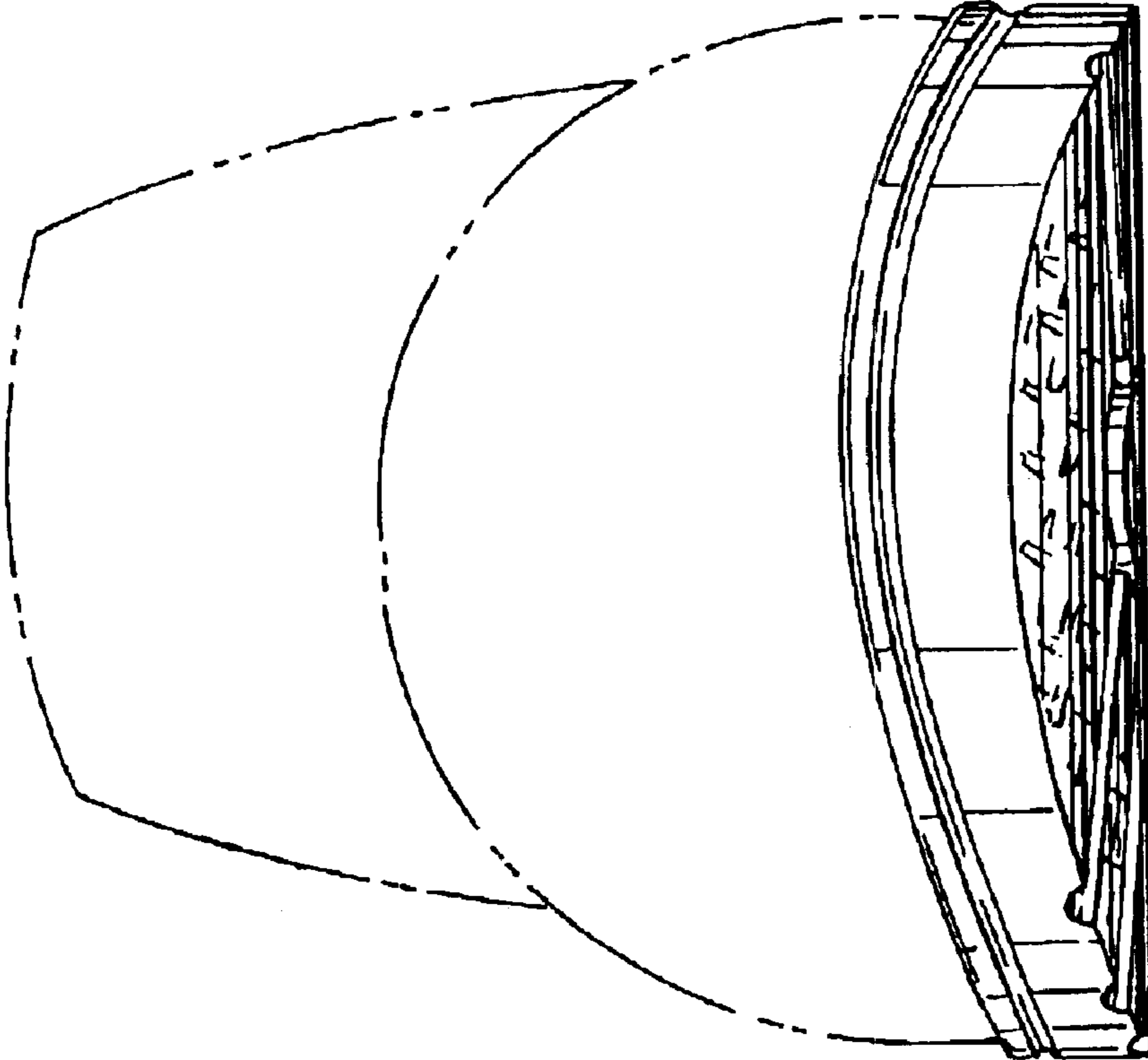


FIG. 5