



US00D495856S1

(12) **United States Design Patent**
McClaskie

(10) **Patent No.:** **US D495,856 S**

(45) **Date of Patent:** **** Sep. 14, 2004**

(54) **OUTSOLE**

(75) **Inventor:** **Thomas E. McClaskie**, Bethlehem, PA
(US)

(73) **Assignee:** **Columbia Insurance Company**,
Omaha, NE (US)

(**) **Term:** **14 Years**

(21) **Appl. No.:** **29/191,409**

(22) **Filed:** **Oct. 7, 2003**

(51) **LOC (7) Cl.** **02-04**

(52) **U.S. Cl.** **D2/952; D2/953**

(58) **Field of Search** D2/947-949, 951-960;
D5/4, 6, 8, 12, 16, 25, 32, 43, 56, 66; 36/3 B,
22 R, 25 R, 28, 32 A, 32 R, 59 R, 67,
67 B

(56) **References Cited**

U.S. PATENT DOCUMENTS

D80,001 S	*	11/1929	Widom	
D80,256 S	*	1/1930	Chrisfield	
D84,816 S	*	8/1931	Freudenberg	D5/16
D168,540 S	*	1/1953	Friedman	D5/66
D240,962 S	*	8/1976	Matsumoto	D5/16
D260,452 S	*	9/1981	Greenblatt et al.	D2/952
D330,802 S	*	11/1992	Edmund et al.	D2/952
D386,592 S	*	11/1997	Lucas	D2/948
D398,745 S	*	9/1998	Cass	D2/954
D403,143 S	*	12/1998	Gillespie	D2/952

D411,243 S	*	6/1999	Lozano	D2/953
D428,241 S	*	7/2000	Ferrer	D2/952
D440,745 S	*	4/2001	Matis et al.	D2/954
6,305,104 B1	*	10/2001	McMullin	36/127
D459,064 S	*	6/2002	McClaskie	D2/957
D466,273 S	*	12/2002	Byrd	D2/952
D488,303 S	*	4/2004	Dwiggins et al.	D5/39

* cited by examiner

Primary Examiner—Celia A. Murphy

(74) *Attorney, Agent, or Firm*—St. Onge Steward Johnston
& Reens LLC

(57) **CLAIM**

I claim the ornamental design for an outsole, as shown and described.

DESCRIPTION

FIG. 1 is a bottom plan view of an outsole showing my new design;

FIG. 2 is a right side elevational view thereof;

FIG. 3 is a left side elevational view thereof;

FIG. 4 is a front elevational view thereof; and

FIG. 5 is a rear elevational view thereof.

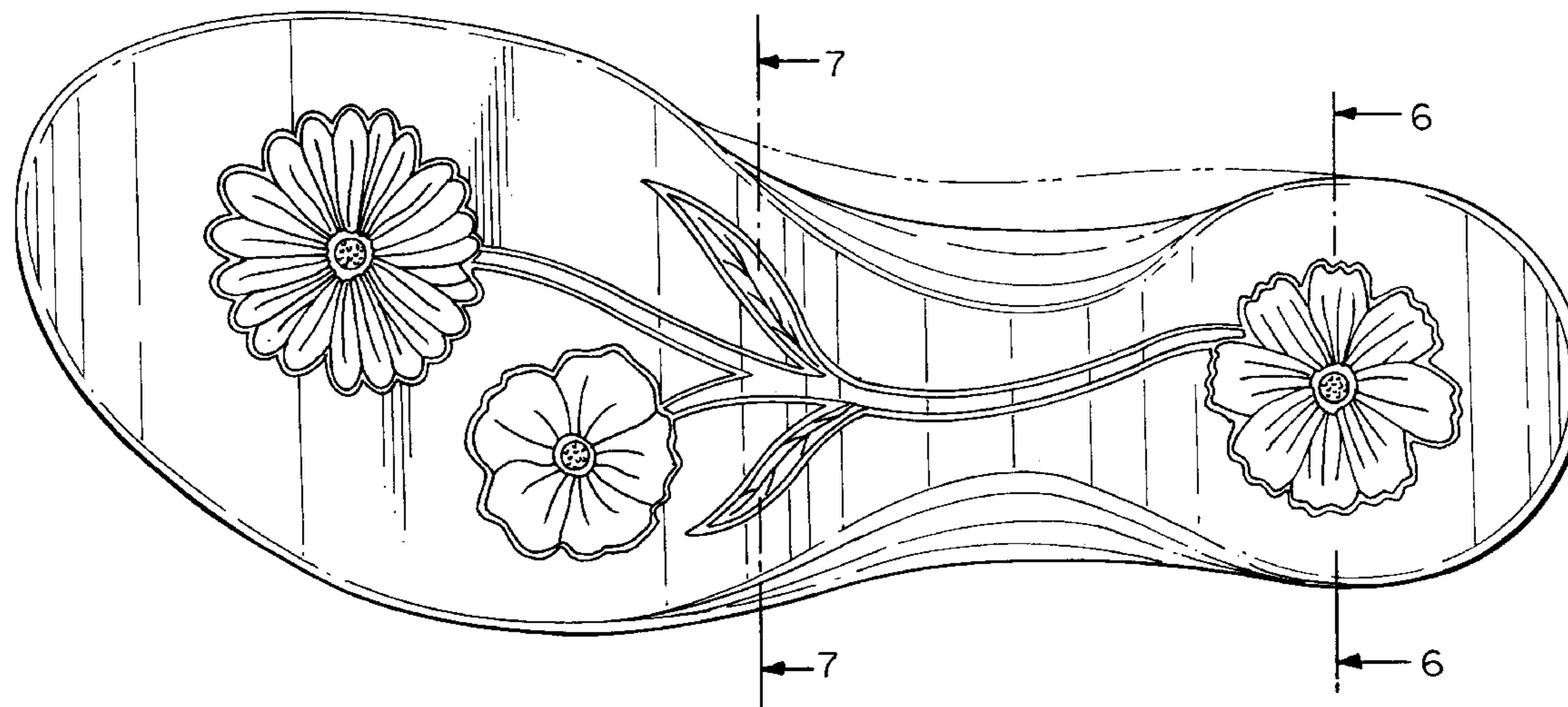
FIG. 6 is a sectional view taken on line 6—6 of FIG. 1;

FIG. 7 is a sectional view taken on line 7—7 of FIG. 1; and,

FIG. 8 is a perspective view thereof.

The broken line showing a shoe upper in FIGS. 1-5 & 8, as well as the broken lines in FIGS. 6 & 7, represent portions of the design that form no part of the claim.

1 Claim, 6 Drawing Sheets



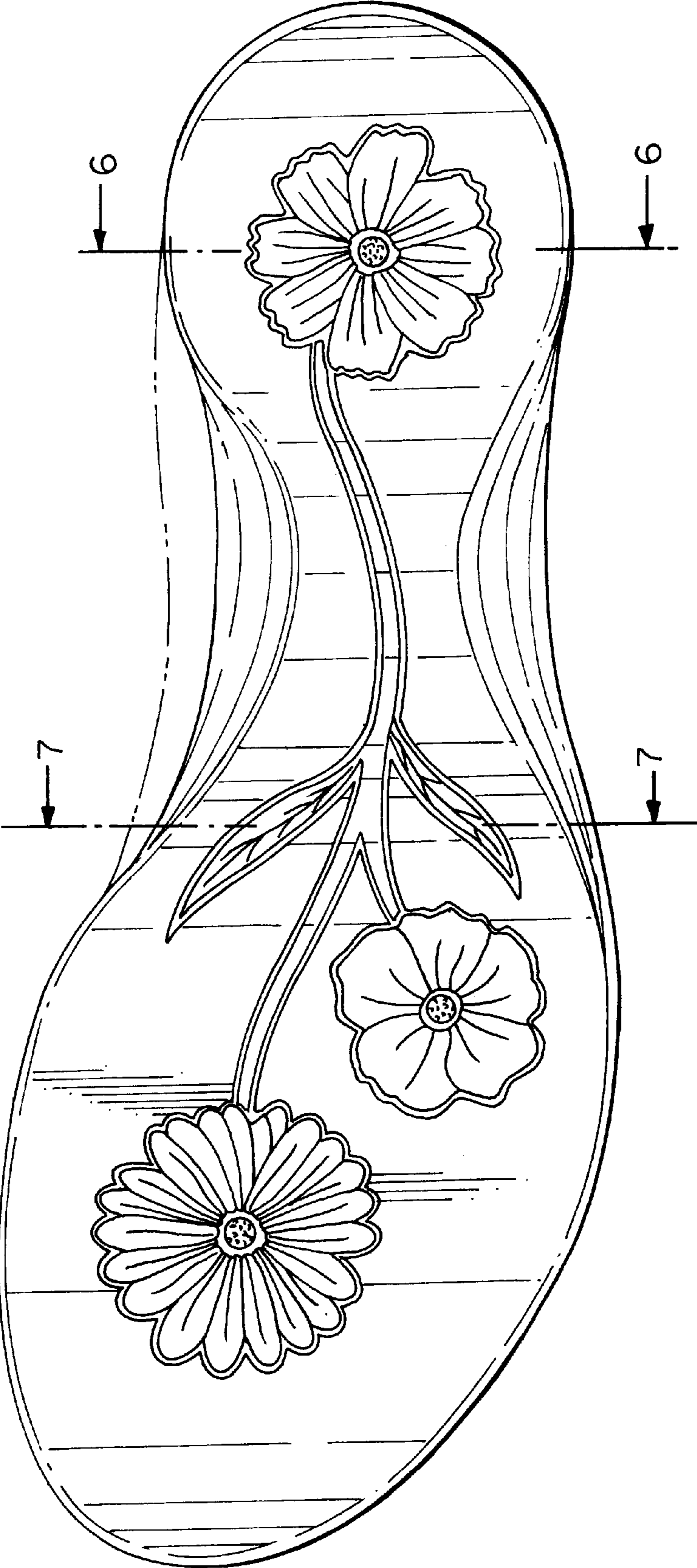


FIG. 1

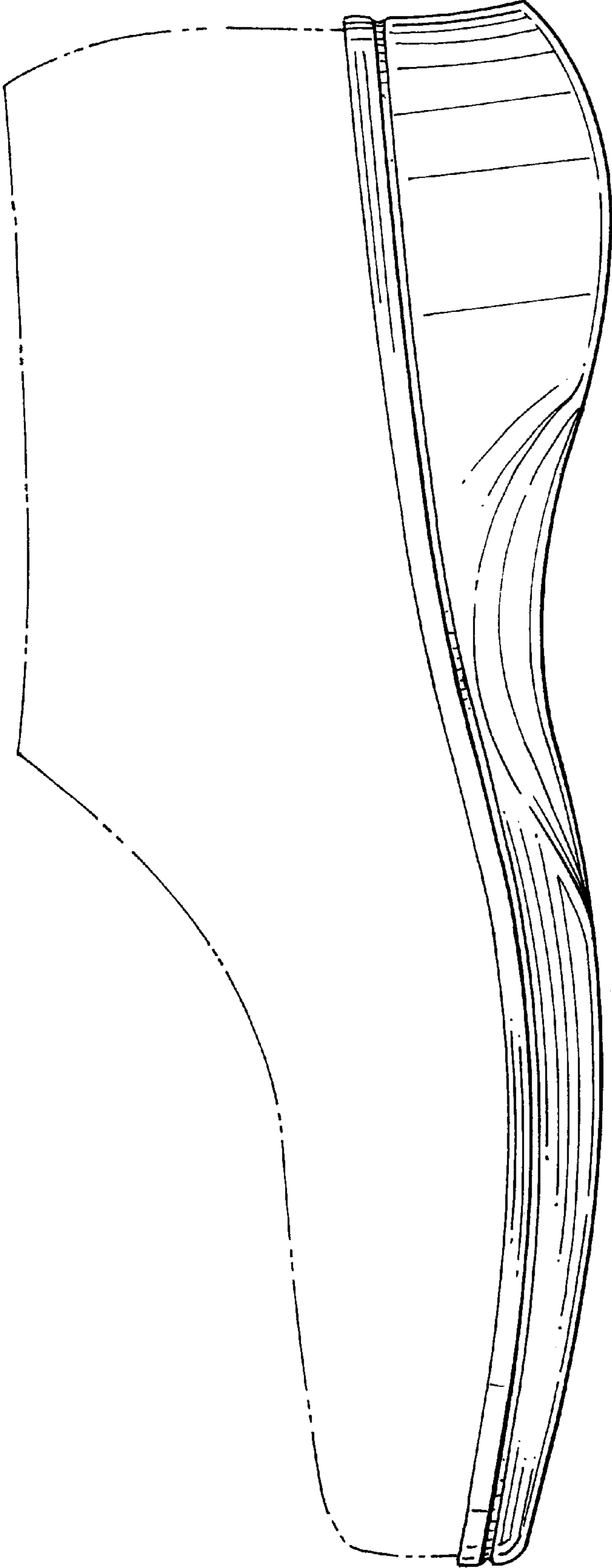


FIG. 2



FIG. 3

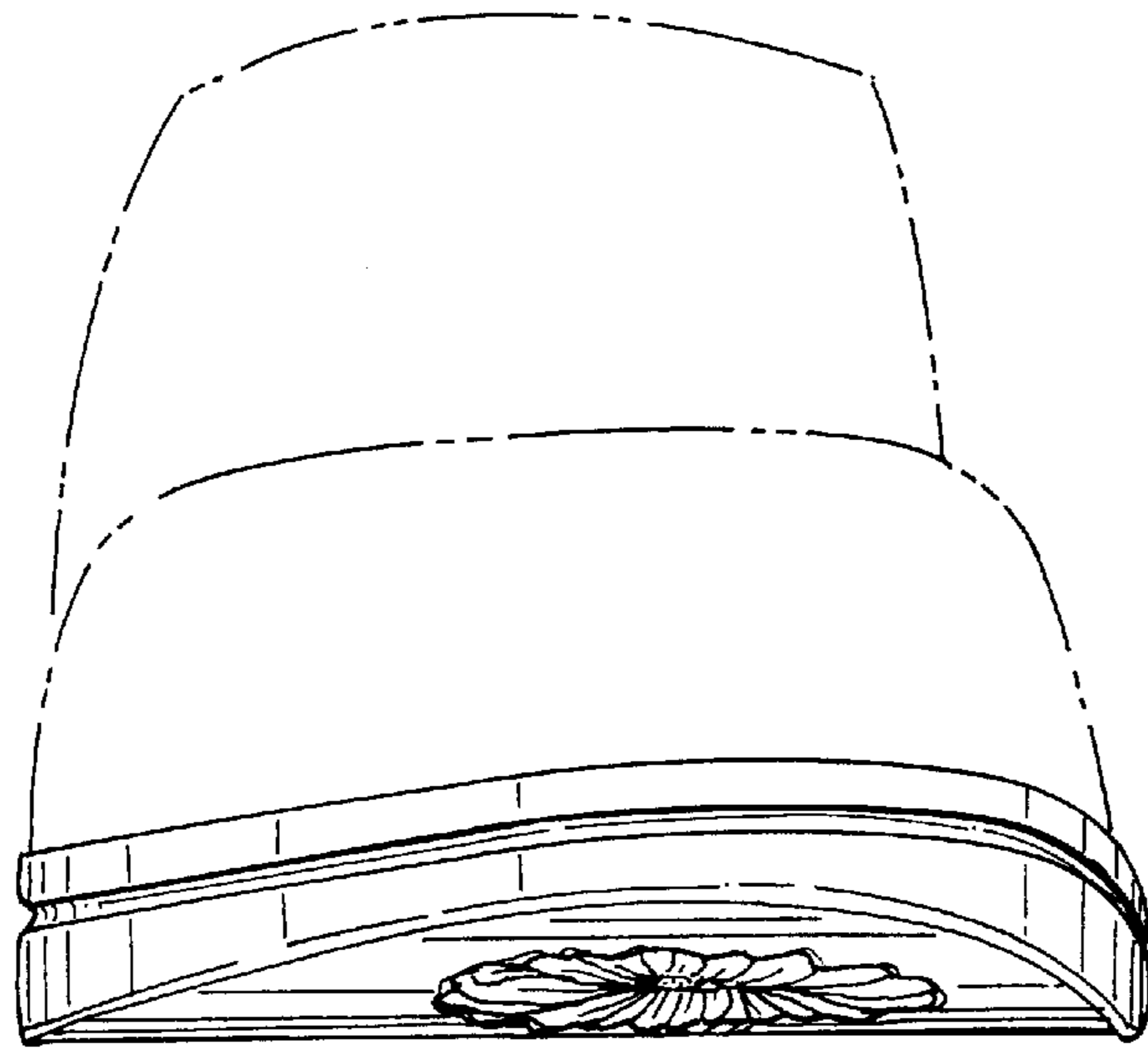


FIG. 4

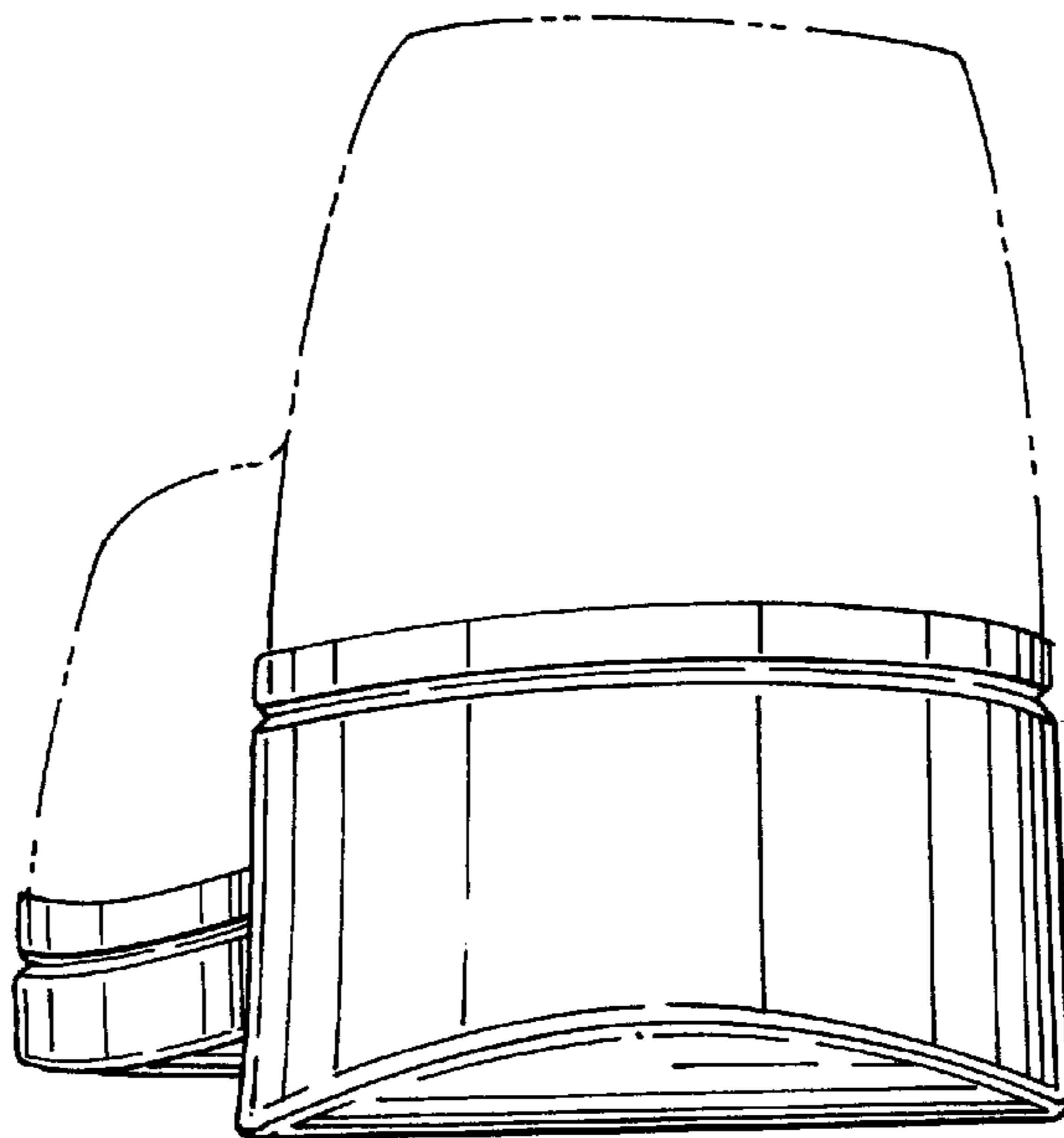


FIG. 5

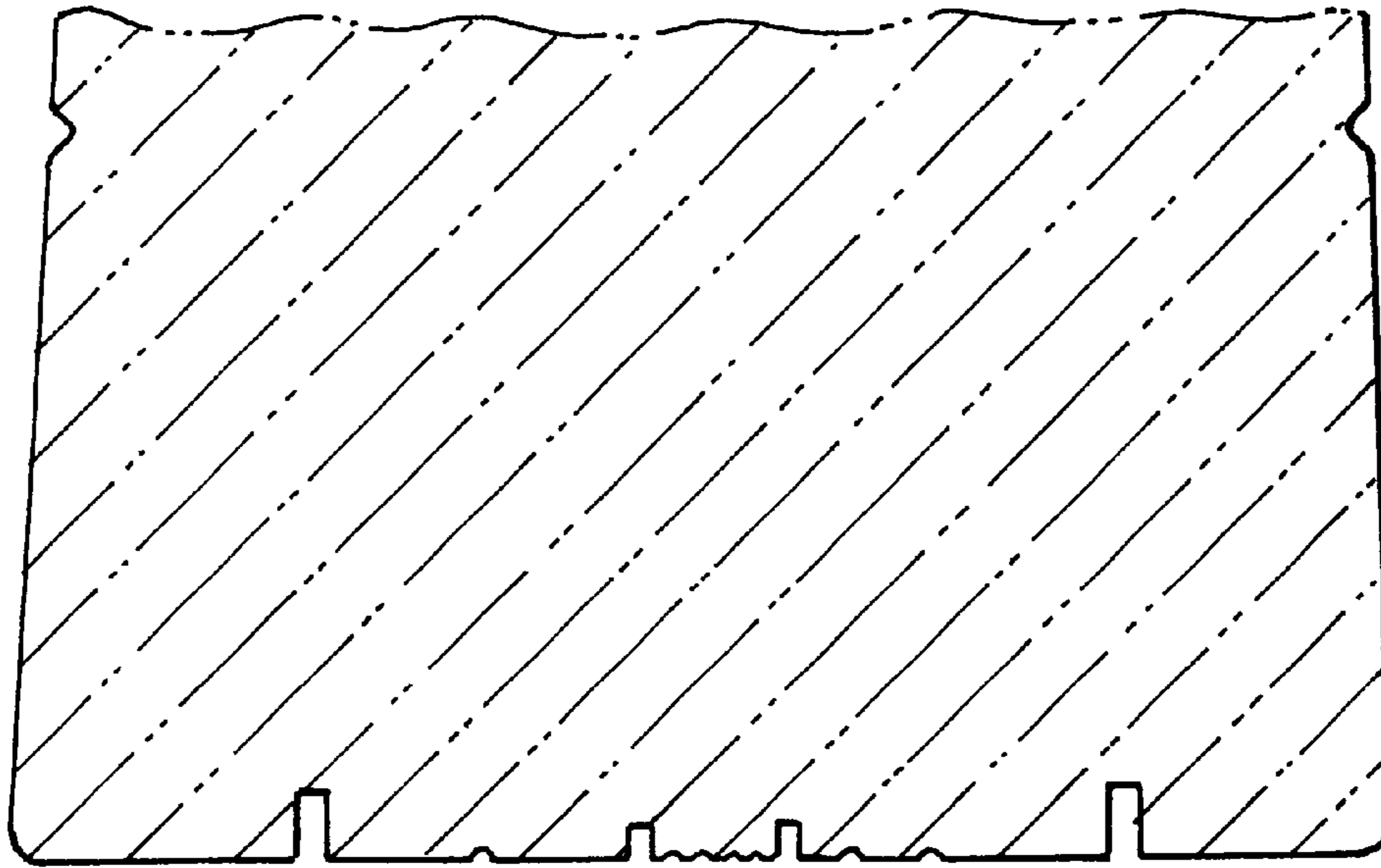


FIG. 6

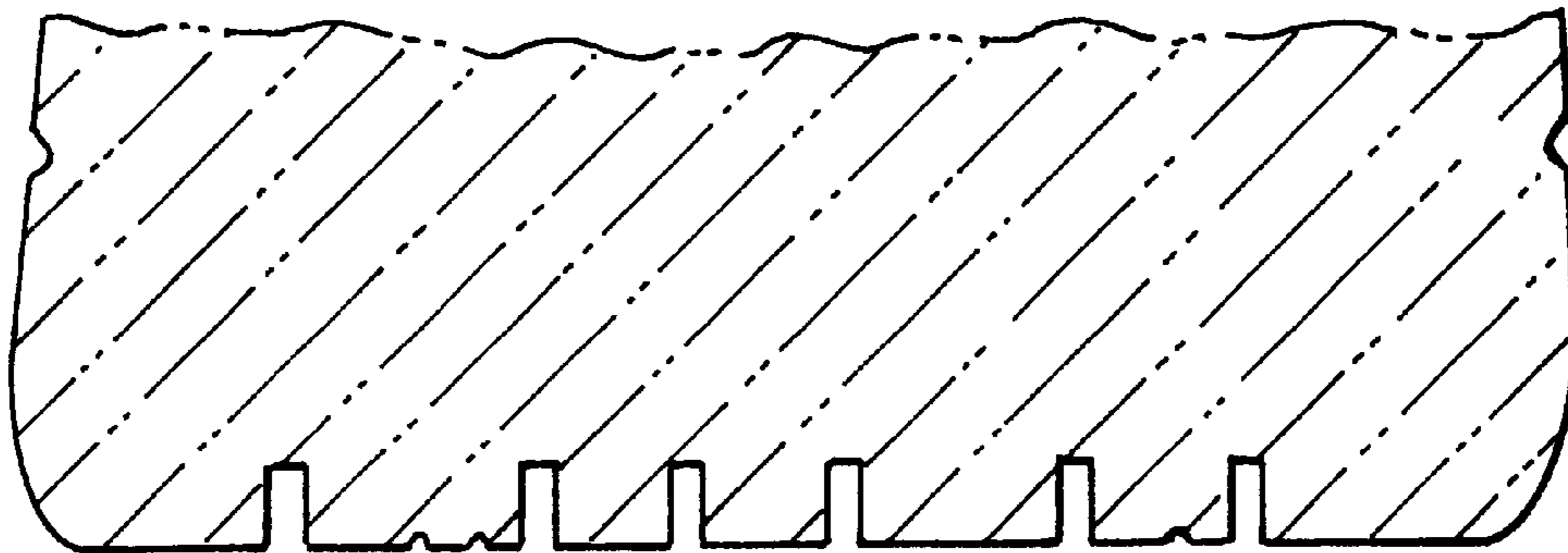


FIG. 7



FIG. 8