

US00D495855S1

(12) **United States Design Patent** (10) **Patent No.:** **US D495,855 S**
Comeau (45) **Date of Patent:** **** Sep. 14, 2004**

(54) **PAIR OF SANDALS**
(75) Inventor: **Dennis Comeau**, New York, NY (US)
(73) Assignee: **Bernardo Footwear, LLC**, Stafford, TX (US)
(**) Term: **14 Years**
(21) Appl. No.: **29/196,275**
(22) Filed: **Dec. 29, 2003**
(51) **LOC (7) Cl.** **02-04**
(52) **U.S. Cl.** **D2/917**
(58) **Field of Search** D2/916-918, 919-922, D2/969; 36/8.1, 11.5

D293,963 S 2/1988 Maciel
D338,320 S 8/1993 Haggar
D352,382 S 11/1994 Chuang D2/917
D404,894 S 2/1999 Kelley D2/917
D418,280 S 1/2000 Kieler D2/916
D419,283 S 1/2000 Coito D2/917
6,237,250 B1 5/2001 Aguerre 36/11.5
D448,146 S 9/2001 Jacobs 36/11.5
D448,542 S 10/2001 Bryant D2/917
D449,918 S 11/2001 Boncutter D2/917
D456,123 S 4/2002 Powell D2/917
6,508,016 B1 1/2003 Boncutter et al. 36/11.5
D470,648 S 2/2003 Jacobs D2/917
6,516,538 B2 2/2003 Kraft 36/11.5

FOREIGN PATENT DOCUMENTS

EP 0367565 5/1990 A43B/3/12
JP 07039403 2/1995 A43B/3/12

OTHER PUBLICATIONS

Shoes, A Lexicon of Style by Valerie Steele; Rizzoli, New York, 1999; p. 93; Sergio Rossi sling back thong (bottom).*

* cited by examiner

Primary Examiner—Dominic Simone
(74) *Attorney, Agent, or Firm*—Lieberman & Brandsdorfer, LLC

(57) **CLAIM**

The ornamental design for the pair of sandals, as shown and described.

DESCRIPTION

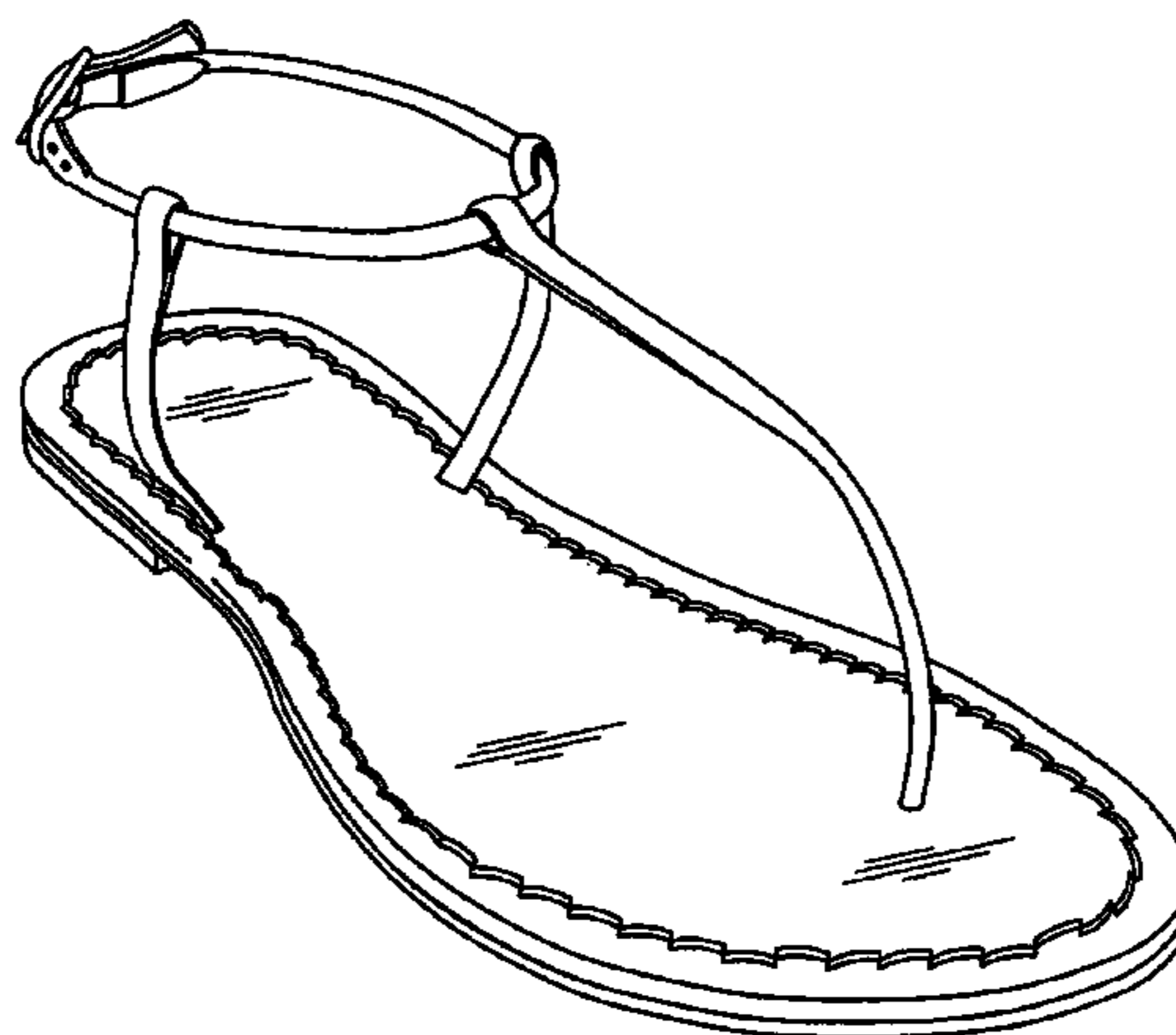
FIG. 1 is a top perspective view of a right sandal of the pair of sandals, showing the new design; FIG. 2 is a front elevational view taken from FIG. 1; FIG. 3 is a rear elevational view taken from FIG. 1; FIG. 4 is a right side elevational view taken from FIG. 1; FIG. 5 is a left side elevational view taken from FIG. 1; FIG. 6 is a top plan view taken from FIG. 1; and, FIG. 7 is a bottom plan taken from FIG. 1. The sandals for the left foot is the mirror image of the sandal depicted in FIGS. 1 through 7.

1 Claim, 6 Drawing Sheets

(56) **References Cited**

U.S. PATENT DOCUMENTS

736,194 A * 8/1903 Bassett 36/11.5
1,068,382 A 7/1913 Blanchard 36/11.5
D92,201 S 5/1934 Perugia D2/917
1,964,705 A 6/1934 Pellkofer 36/11.5
D137,764 S 4/1944 Goldstein D2/918
D147,308 S 8/1947 Steel D2/917
D149,179 S 4/1948 Gregg D2/916
D166,025 S 2/1952 Braun D2/916
D166,122 S 3/1952 Pastine D2/917
D166,123 S 3/1952 Pastine D2/917
D169,015 S 3/1953 Sbicca D2/917
D170,768 S 11/1953 Preti D2/922
D181,542 S 11/1957 Miyachi et al. D2/917
D187,781 S 5/1960 Hayakawa D2/917
2,947,095 A 8/1960 Miyachi 36/11.5
D195,163 S 5/1963 Sandler D2/916
3,336,683 A 8/1967 Schellkopf 36/11.5
D215,401 S 9/1969 Cordoba de Balseiro
3,739,501 A 6/1973 Barrett, Jr. 36/11.5
3,928,927 A 12/1975 Brown et al. 36/11.5
3,978,596 A 9/1976 Brown et al. 36/11.5
4,051,610 A 10/1977 Shigeji 36/11.5
D254,521 S 3/1980 Katz
4,471,539 A 9/1984 Mann 36/11.5
D279,326 S 6/1985 Foldes
4,530,171 A 7/1985 Zabala 36/11.5
4,584,782 A 4/1986 Thatcher 36/11.5



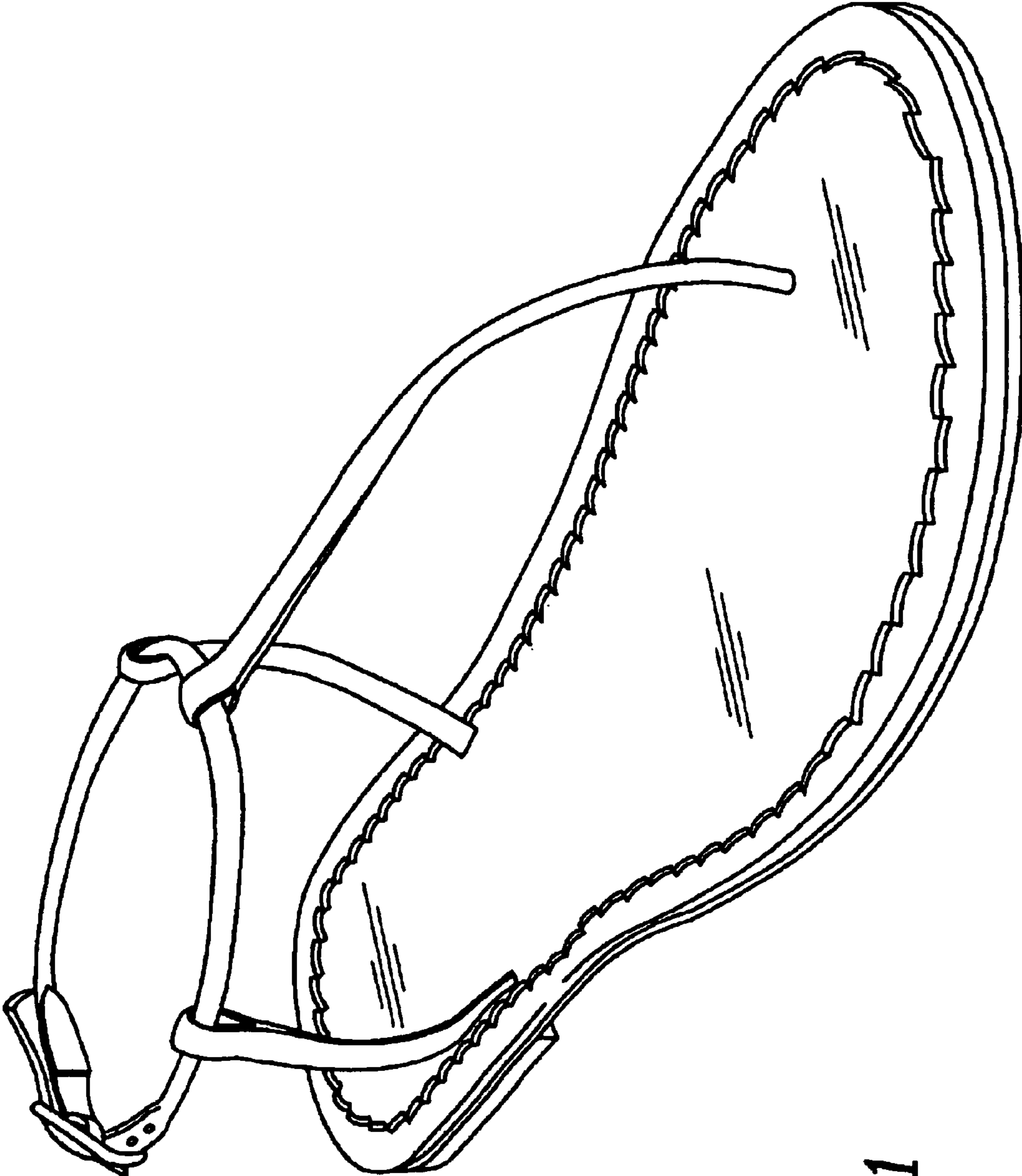


FIG. 1

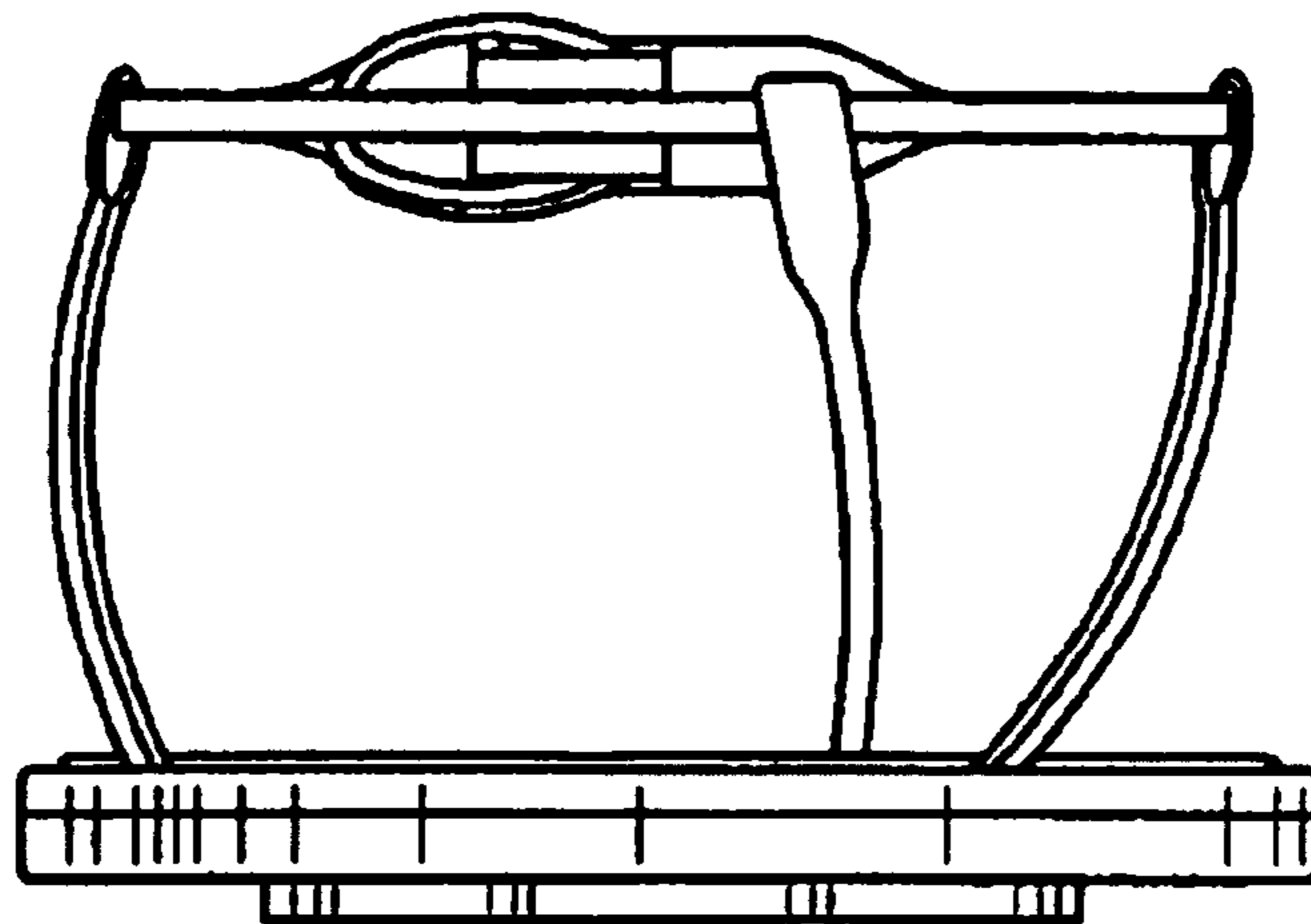


FIG. 2

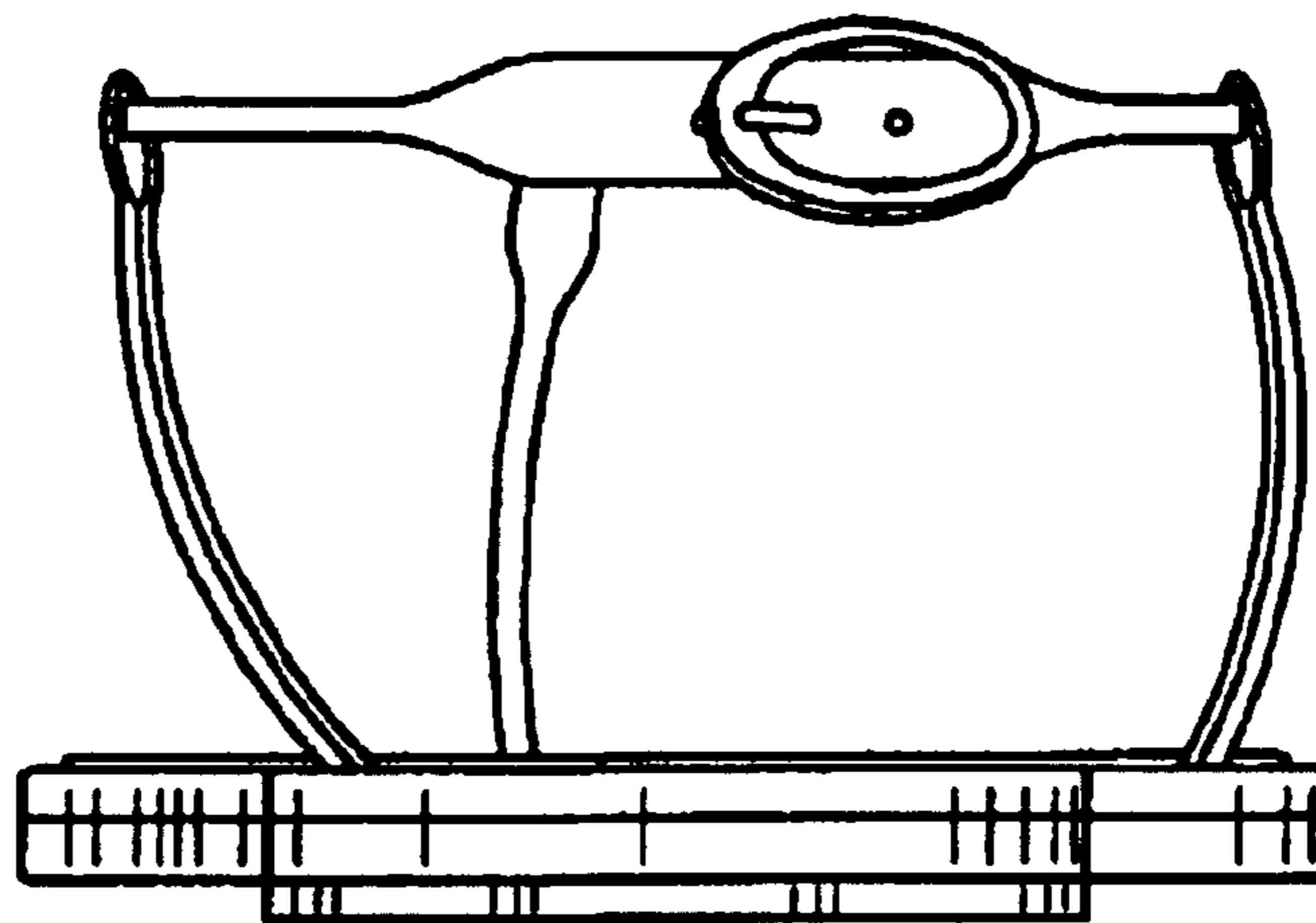


FIG. 3

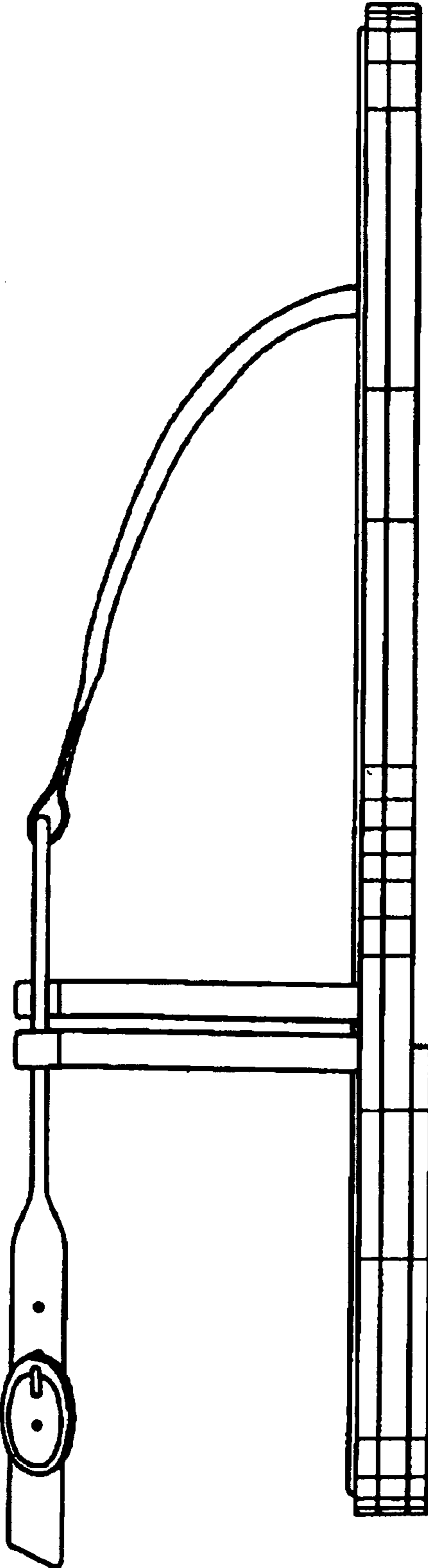


FIG. 4

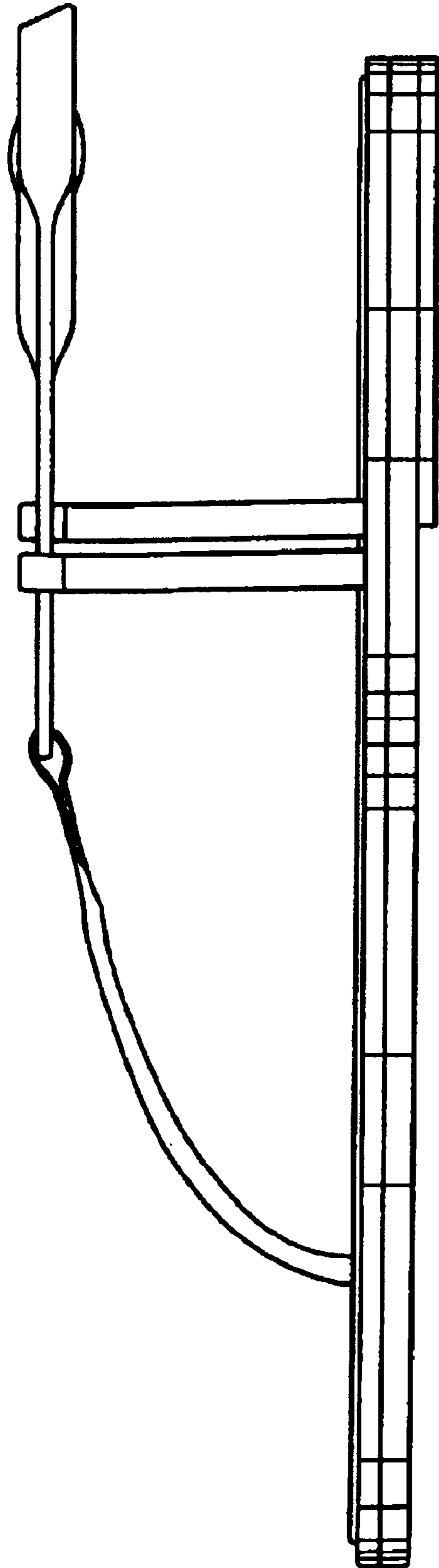


FIG. 5

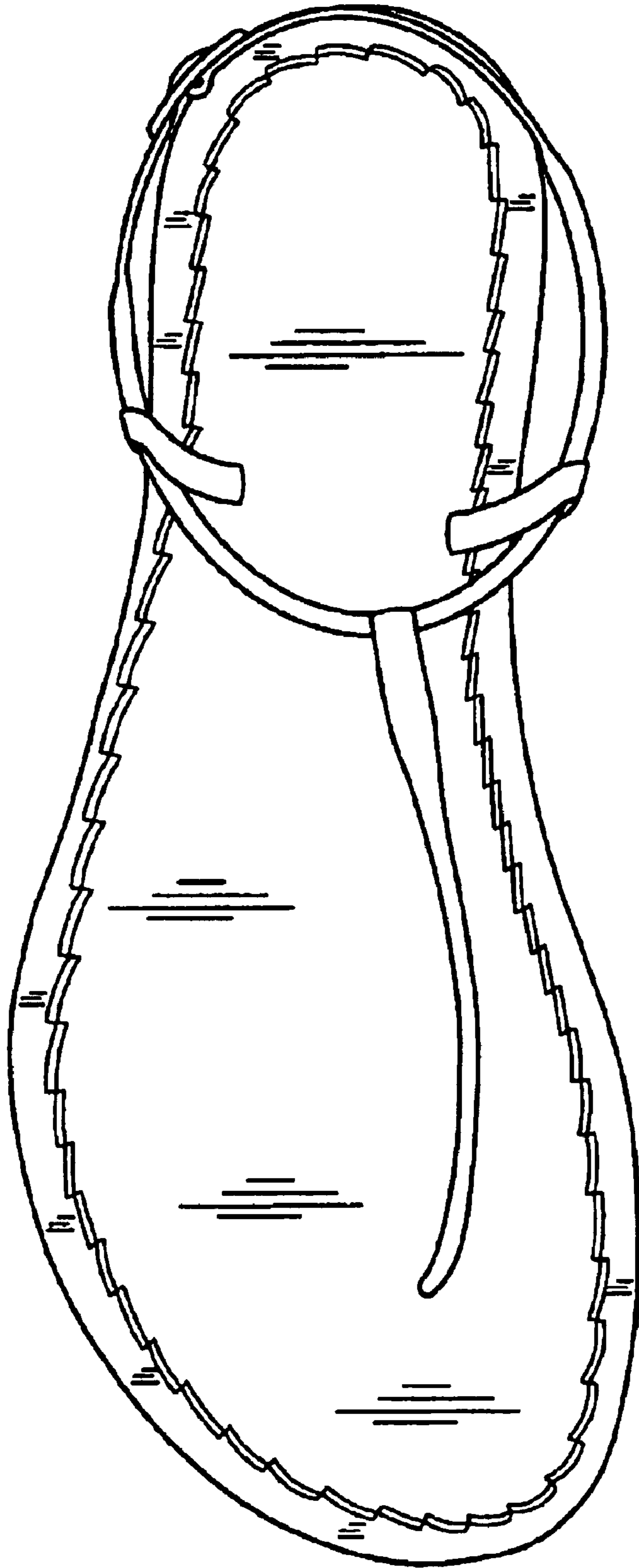


FIG. 6

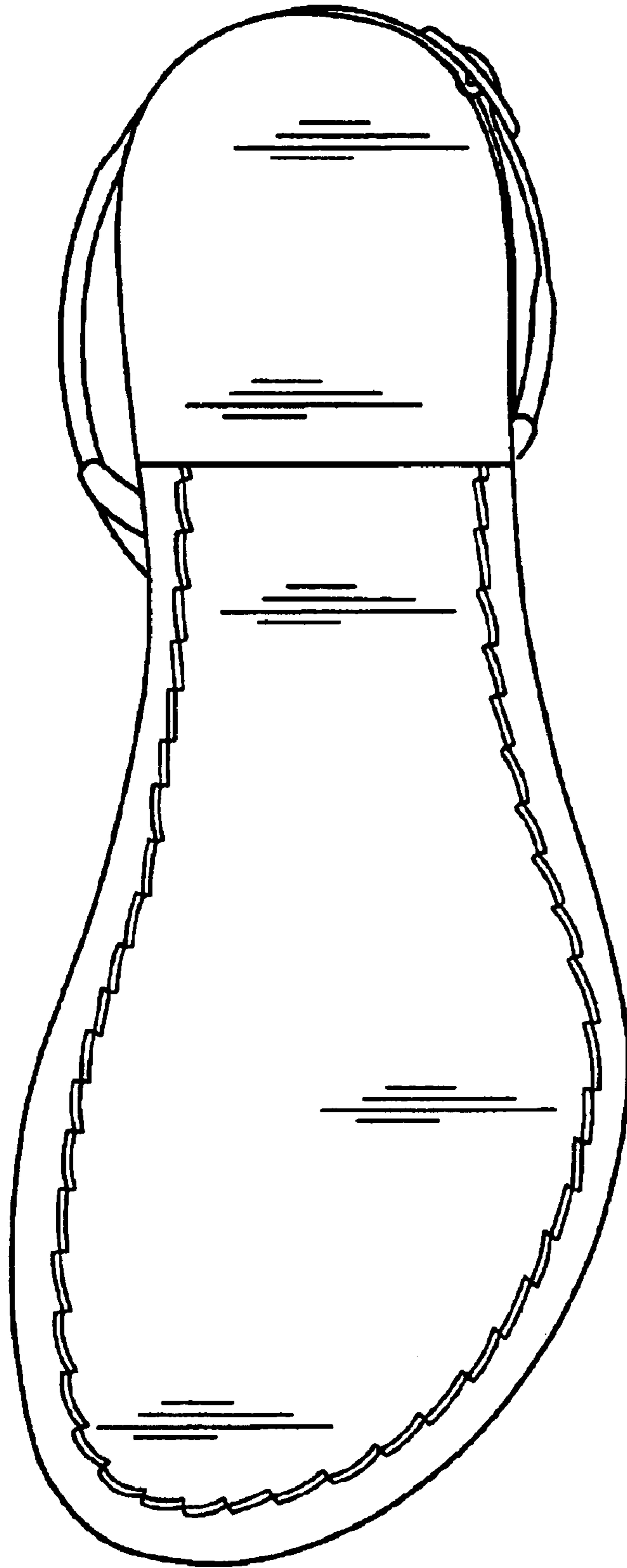


FIG. 7