



US00D495853S1

(12) **United States Design Patent**
Nelson

(10) **Patent No.:** **US D495,853 S**

(45) **Date of Patent:** **** Sep. 14, 2004**

(54) **TOOL BELT**

(76) **Inventor:** **Stephen Nelson**, 41450 50th St. West,
Quartz Hill, CA (US) 93536

(**) **Term:** **14 Years**

(21) **Appl. No.:** **29/190,432**

(22) **Filed:** **Sep. 22, 2003**

(51) **LOC (7) Cl.** **02-07**

(52) **U.S. Cl.** **D2/627**

(58) **Field of Search** D2/627, 624, 629,
D2/639; 2/300, 305, 311, 312, 321, 338;
D29/100, 101.1; 280/801.1; D3/215

(56) **References Cited**

U.S. PATENT DOCUMENTS

D322,160 S * 12/1991 Dauterive D2/627
5,081,719 A * 1/1992 Donnelly 2/311
D348,565 S * 7/1994 Cummins D3/215

D353,932 S * 1/1995 New D2/627
5,806,087 A * 9/1998 Grotefend 2/1
D410,958 S * 6/1999 Curran et al. D2/639
D457,688 S * 5/2002 Cordero D29/100

* cited by examiner

Primary Examiner—Paula A. Greene

(74) *Attorney, Agent, or Firm*—Edward A. Sokolski

(57) **CLAIM**

The ornamental design for a tool belt, as shown and described.

DESCRIPTION

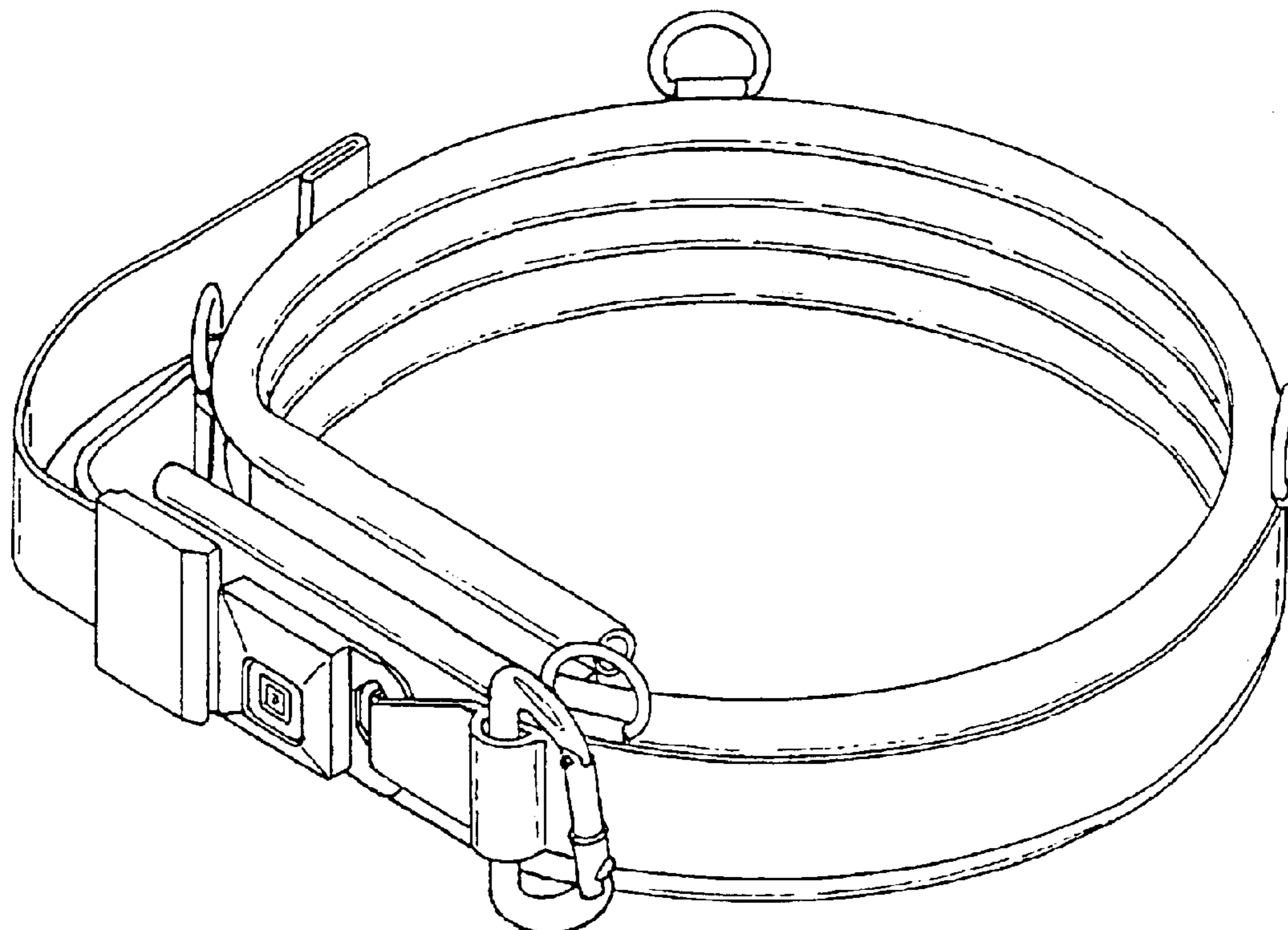
FIG. 1 is a Top Perspective View of the tool belt showing my new design;

FIG. 2 is a Top Plan View thereof;

FIG. 3 is a Front Elevational View thereof; and,

FIG. 4 is a Rear Elevational View thereof.

1 Claim, 1 Drawing Sheet



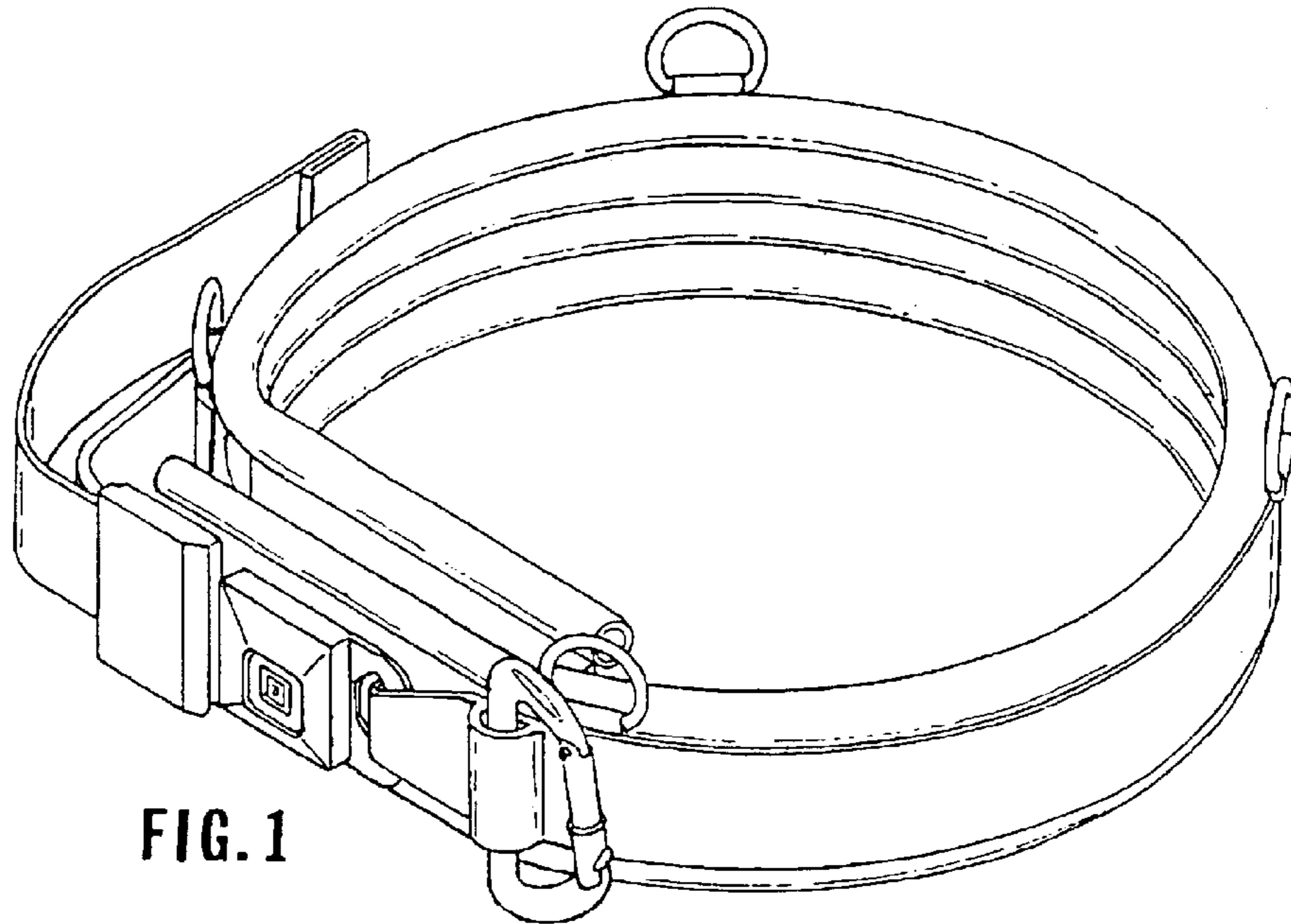


FIG. 1

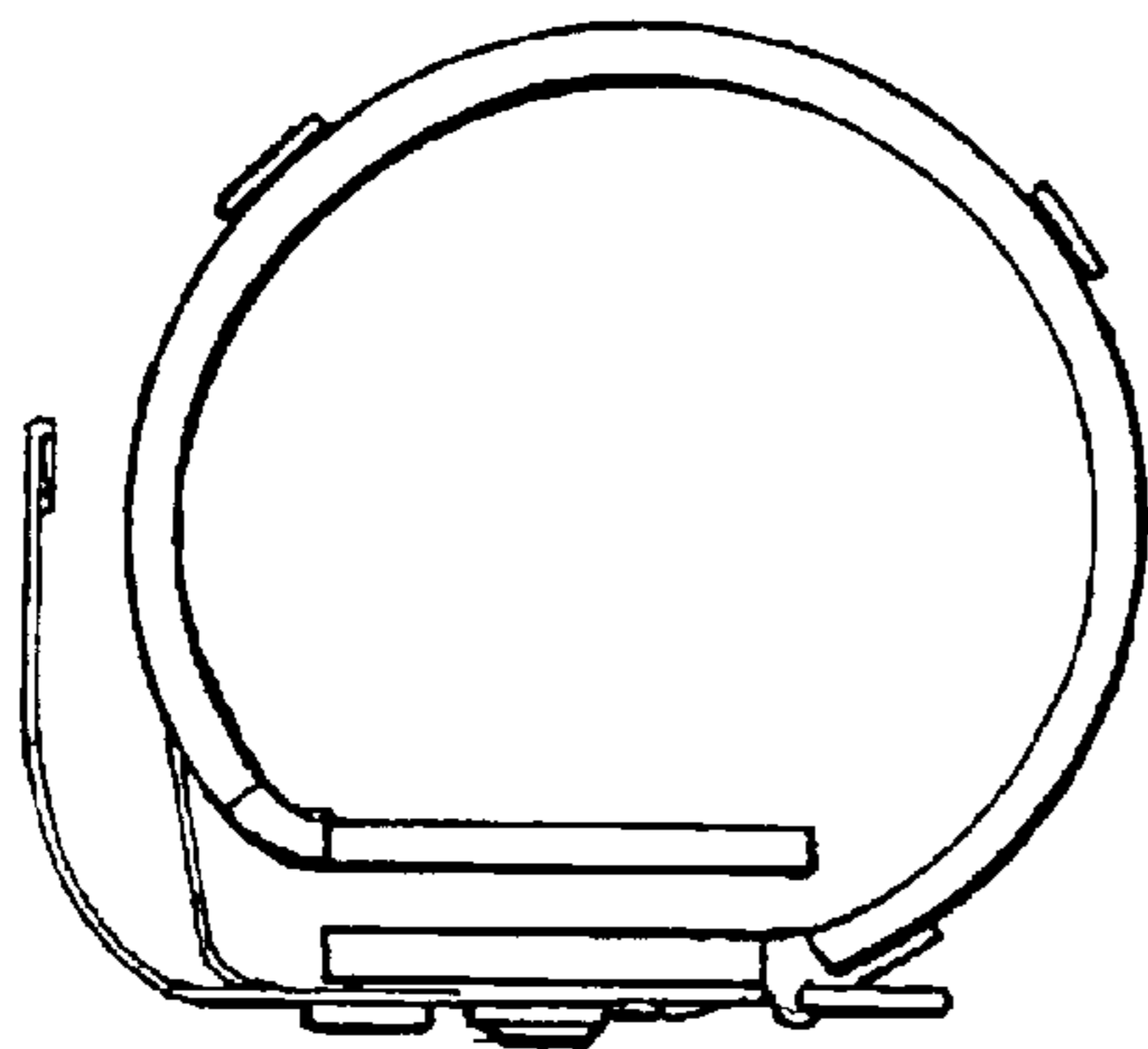


FIG. 2

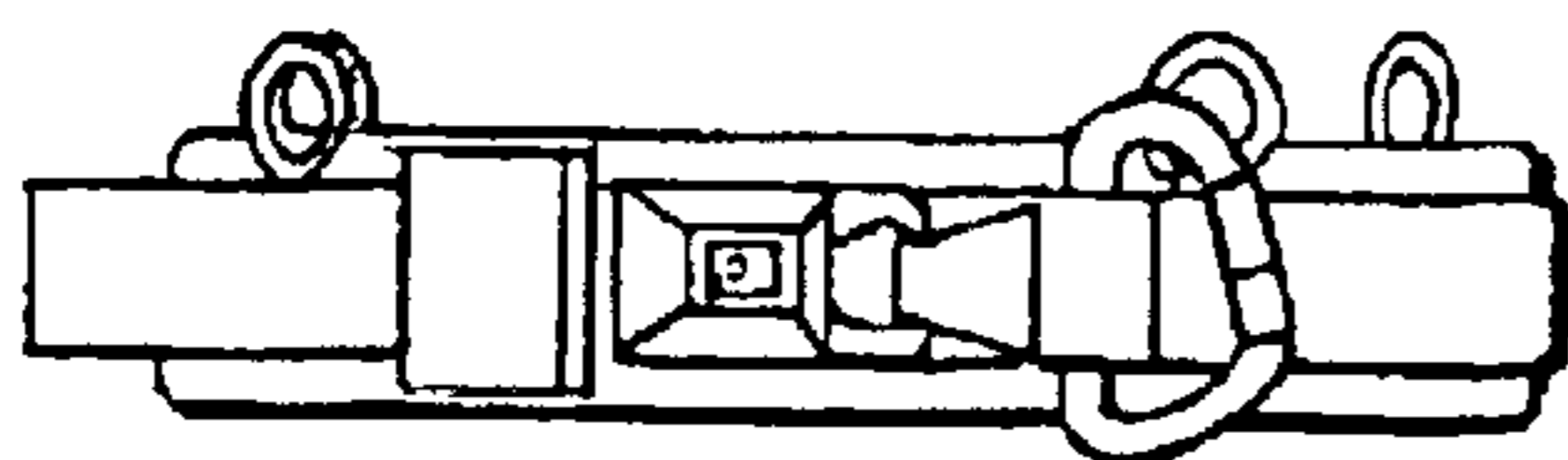


FIG. 3

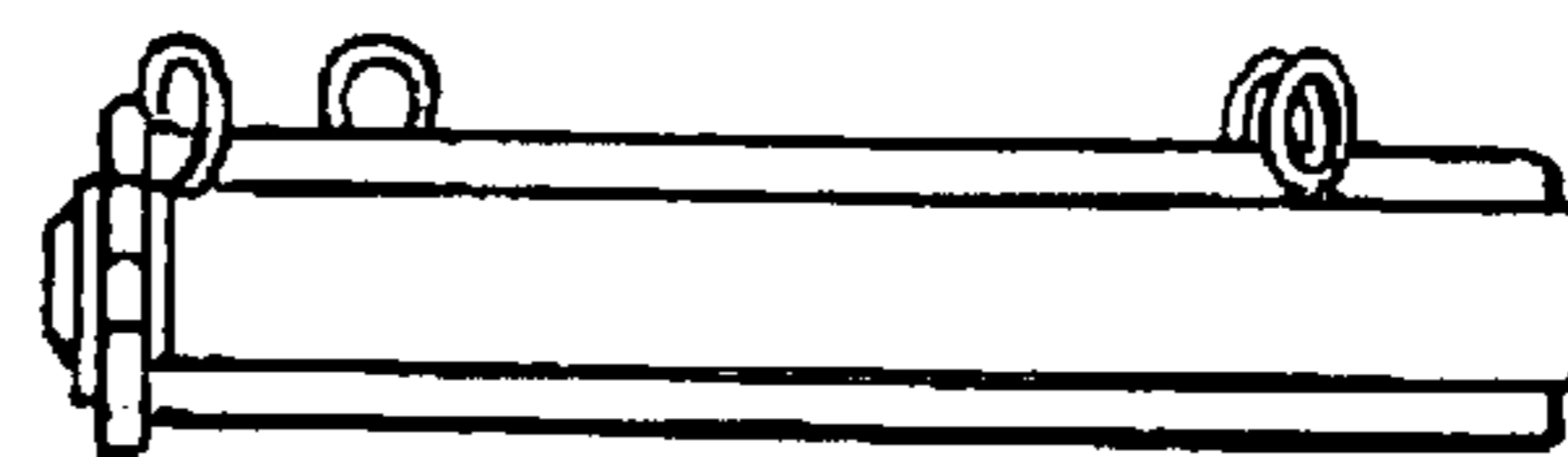


FIG. 4