

US00D495841S1

(12) **United States Design Patent** (10) **Patent No.:** **US D495,841 S**
Smith et al. (45) **Date of Patent:** **** Sep. 7, 2004**

(54) **DRAIN PLUNGER**

6,192,525 B1 * 2/2001 Tash 4/255.11
 D456,574 S * 4/2002 Chen D32/35
 6,719,134 B2 * 4/2004 Phillips et al. 206/349

(75) Inventors: **Bret William Smith**, Kings Mills, OH (US); **Brian Lloyd Swon**, Loveland, OH (US); **William J. Kraimer**, Mason, OH (US)

* cited by examiner

Primary Examiner—Cynthia E. Ramirez

(73) Assignees: **J. Kirk Leaphart, Jr.**, Simpsonville, SC (US); **C. Mark Leaphart**, Simpsonville, SC (US)

(74) *Attorney, Agent, or Firm*—Joseph T. Guy; Nexsen Pruet, LLC

(**) Term: **14 Years**

(57) **CLAIM**

The ornamental design for a drain plunger, as shown and described.

(21) Appl. No.: **29/181,583**

DESCRIPTION

(22) Filed: **May 13, 2003**

(51) **LOC (7) Cl.** **08-99**

(52) **U.S. Cl.** **D32/35**

(58) **Field of Search** D32/35; 15/406;
 4/255.01, 255.02, 255.03, 255.04, 255.05,
 255.06, 255.07, 255.08, 255.09, 255.11,
 255.12

FIG. 1 is a front side view of a drain plunger of the present invention in the extended configuration wherein the view is identical with each 180° rotation;

FIG. 2 is a side view of the drain plunger of FIG. 1 wherein the view is identical with each 180° rotation;

FIG. 3 is a top view of the drain plunger of FIG. 1;

FIG. 4 is a bottom view of a drain plunger of FIG. 1;

FIG. 5 is a perspective view of the drain plunger of FIG. 1;

FIG. 6 is a front side view of the drain plunger of FIG. 1 in the compressed configuration wherein the view is identical with each 180° rotation;

FIG. 7 is a side view of the drain plunger of FIG. 6 wherein the view is identical with each 180° rotation; and,

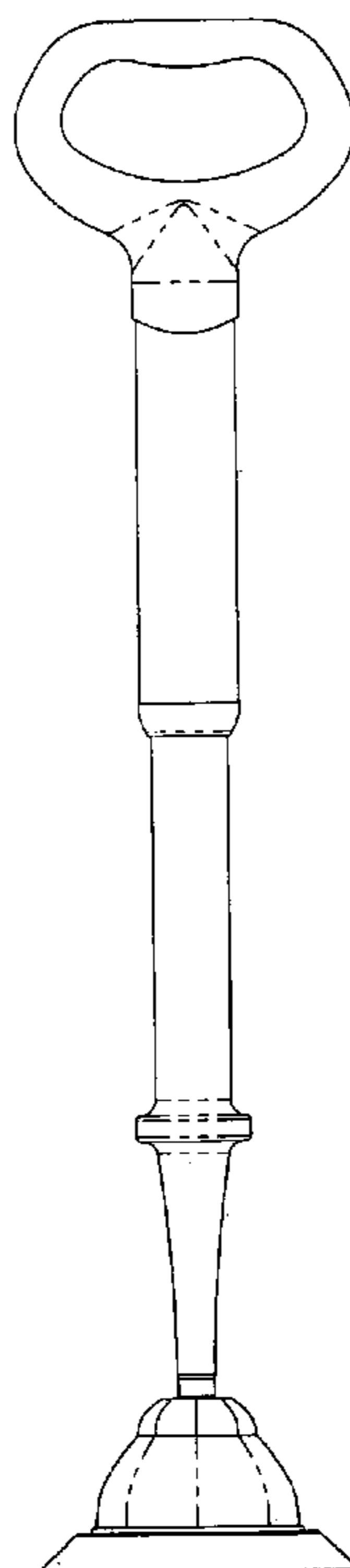
FIG. 8 is a perspective view of the drain plunger of FIG. 6. The broken line showing in the figures is for illustrative purposes only and forms no part of the claimed design.

(56) **References Cited**

U.S. PATENT DOCUMENTS

1,040,276 A * 10/1912 Coleman 4/255.02
 D46,996 S * 2/1915 Howell D32/35
 D202,979 S * 11/1965 Krusche D32/35
 4,445,236 A * 5/1984 Nadolny et al. 4/255.01
 4,847,923 A * 7/1989 Huang 4/255.03
 D387,524 S * 12/1997 Allen et al. D32/35
 6,067,668 A * 5/2000 Rudd 4/255.11

1 Claim, 8 Drawing Sheets



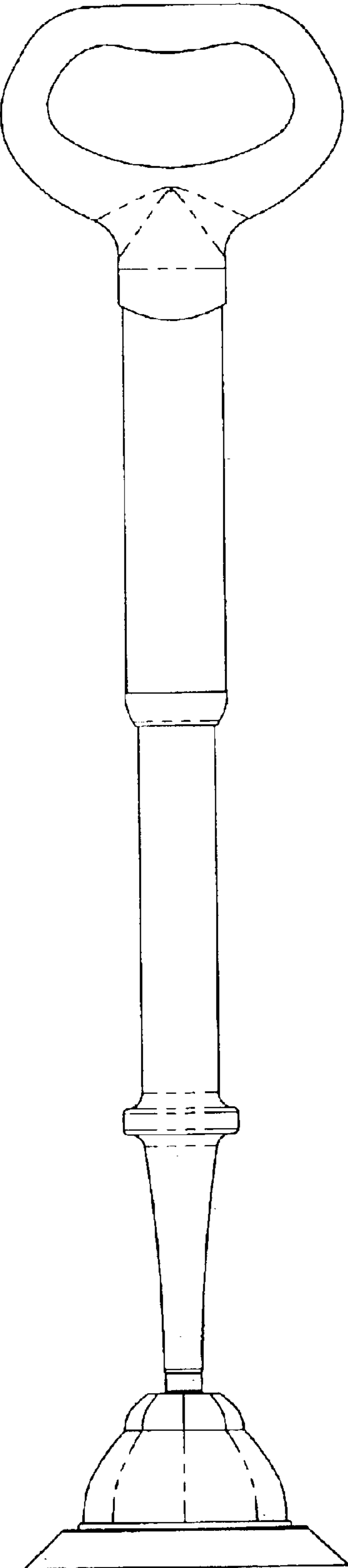


FIG. 1

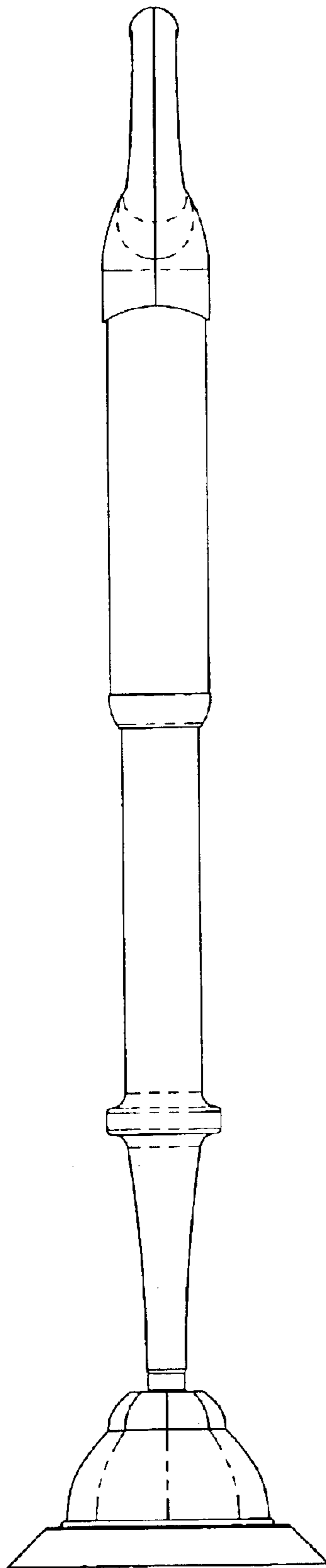


FIG. 2

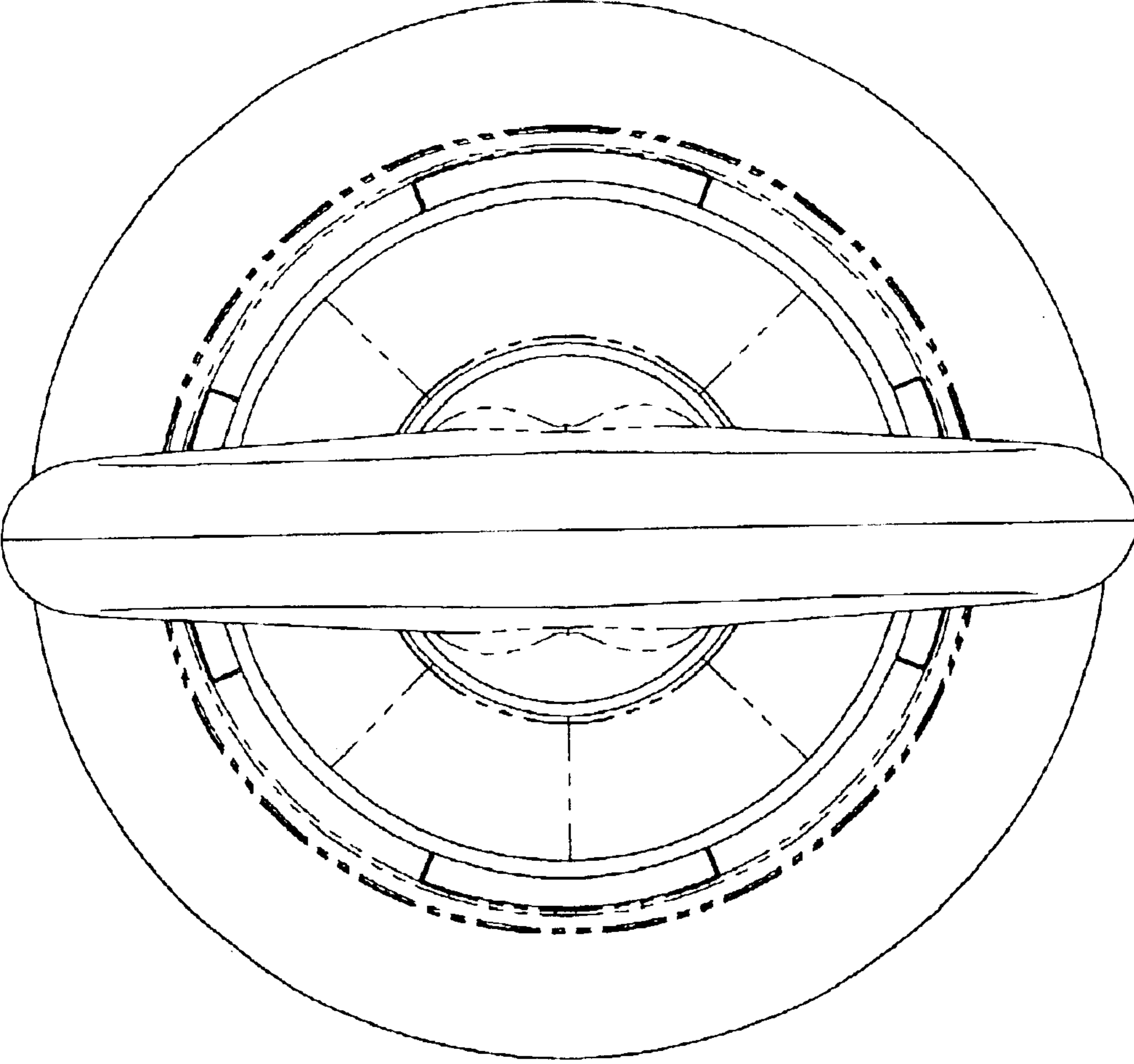


FIG. 3

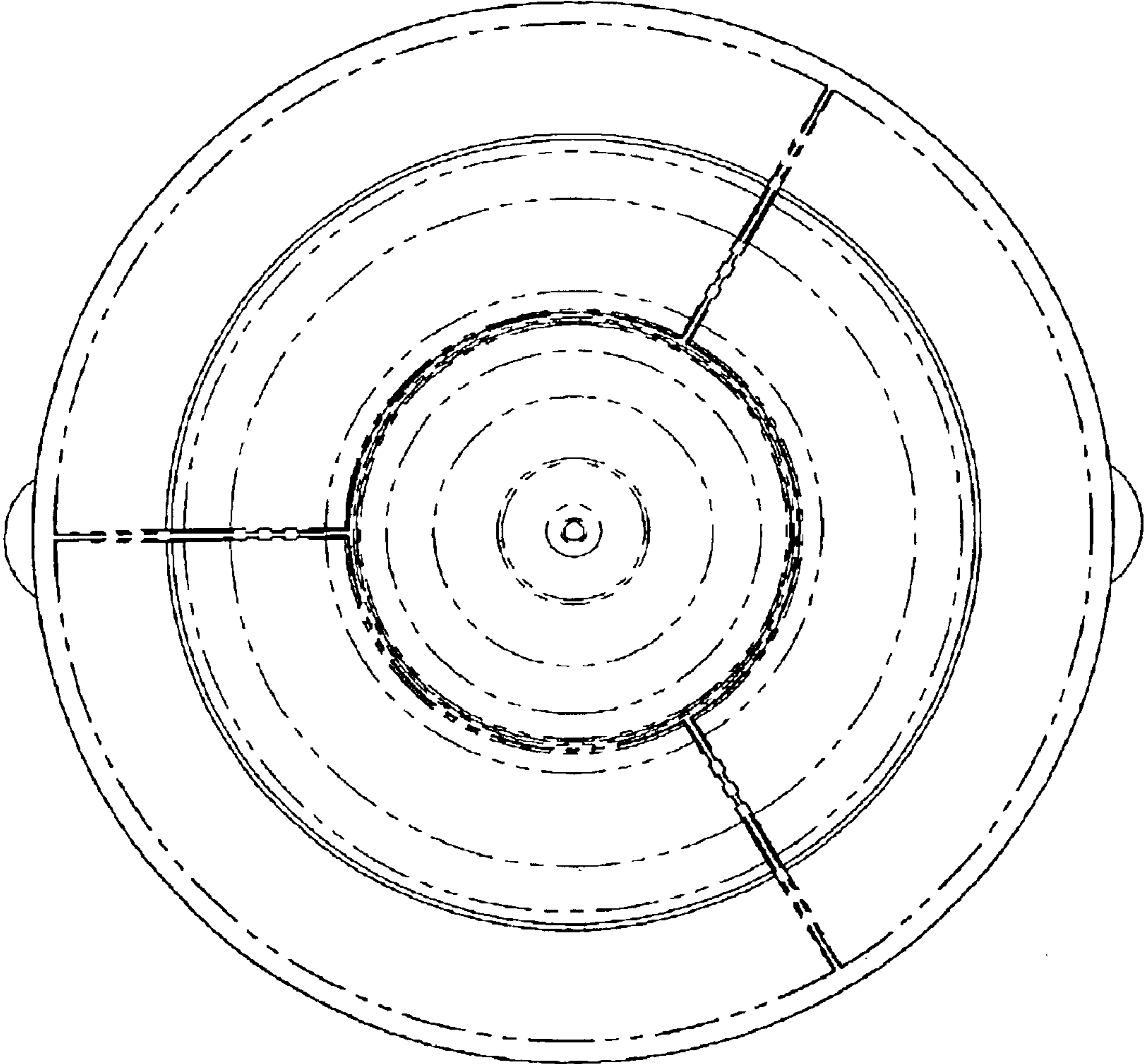


FIG. 4

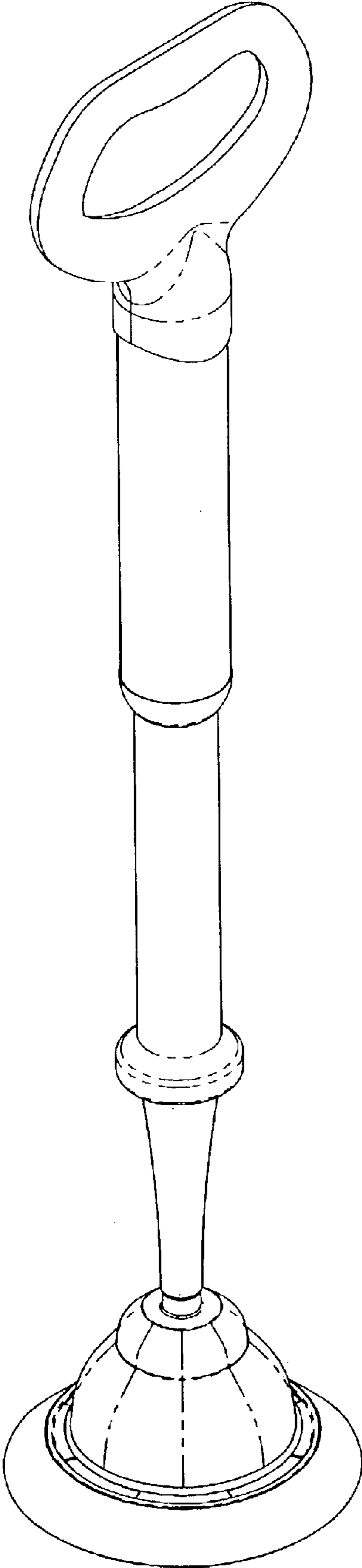


FIG. 5

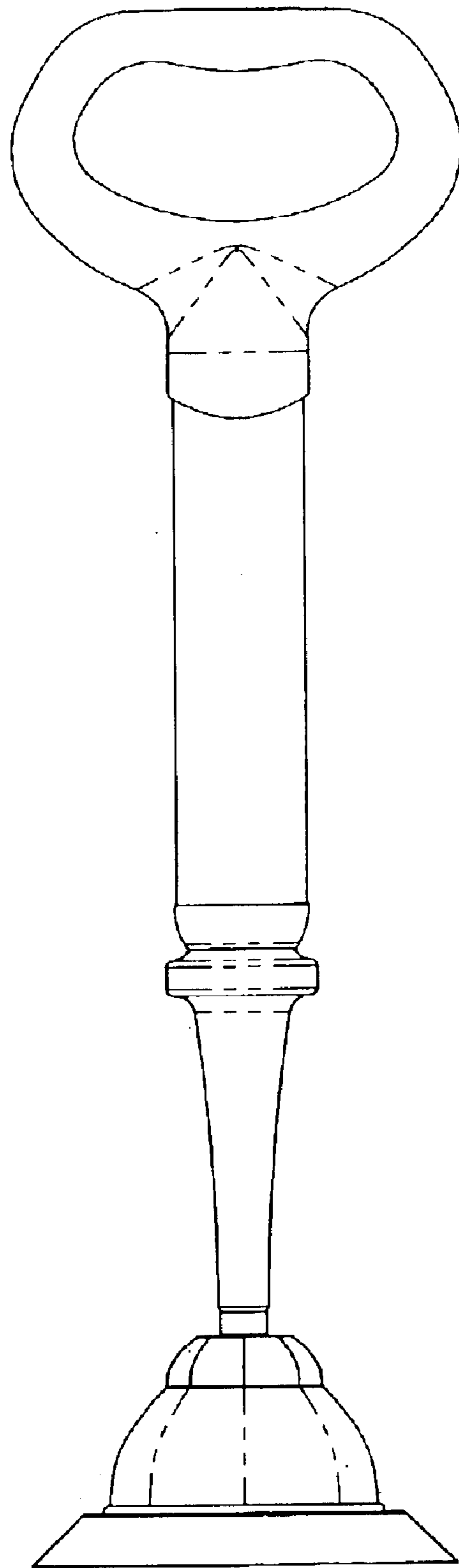


FIG. 6

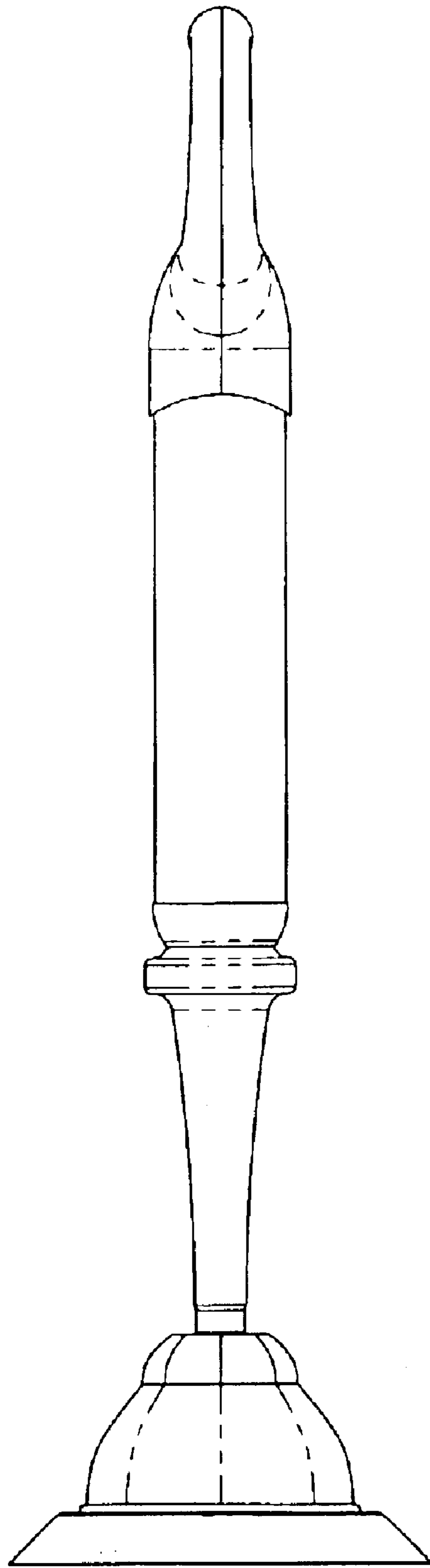


FIG. 7

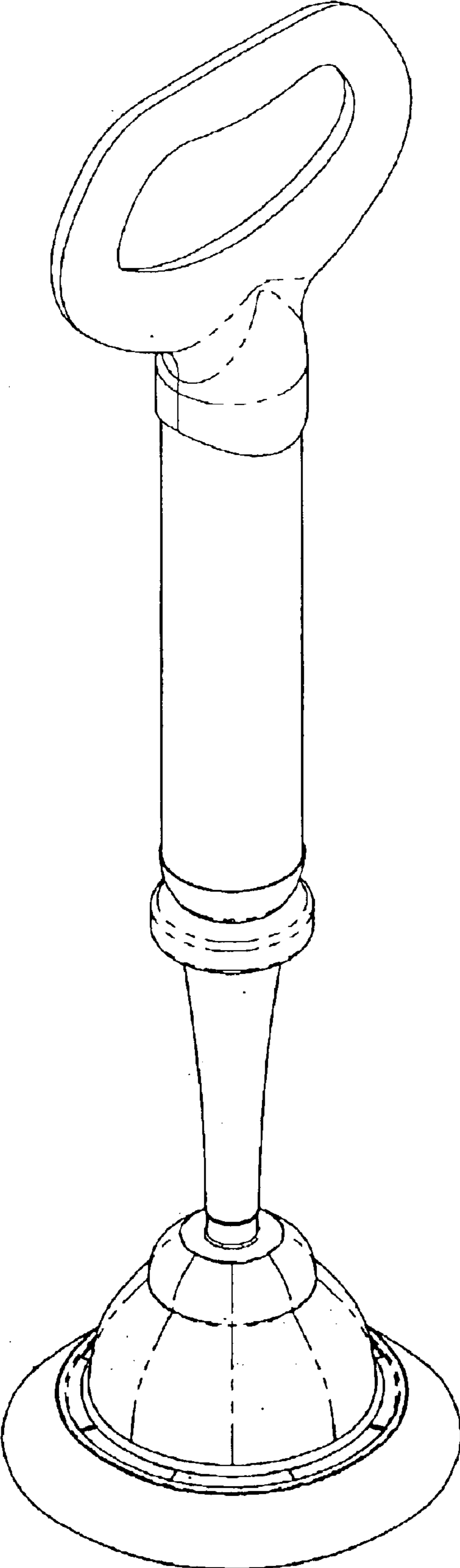


FIG. 8