



US00D495827S1

(12) **United States Design Patent**
Branden

(10) **Patent No.:** **US D495,827 S**
(45) **Date of Patent:** **** Sep. 7, 2004**

(54) **BLADE**

6,519,856 B1 * 2/2003 Dischler 30/48

(76) **Inventor:** **Christopher Richard Branden**, 4 Silk
Oaks Dr., Ormond Beach, FL (US)
32176

* cited by examiner

Primary Examiner—Jennifer Rivard

(**) **Term:** **14 Years**

(57) **CLAIM**

The ornamental design for a blade, as shown and described.

(21) **Appl. No.:** **29/196,512**

(22) **Filed:** **Dec. 30, 2003**

(51) **LOC (7) Cl.** **28-03**

(52) **U.S. Cl.** **D28/47**

(58) **Field of Search** D28/44-48; 30/48,
30/50, 346.5, 346.51, 346.53, 346.55, 346.57,
346.58, 346.59, 346.6

DESCRIPTION

FIG. 1 is a perspective view of a blade showing my new design;

FIG. 2 is a front view of the blade design shown in FIG. 1;

FIG. 3 is a back view of the blade design shown in FIG. 1;

FIG. 4 is a left side view of the blade design shown in FIG. 1;

FIG. 5 is a right side view of the blade design shown in FIG. 1; and,

FIG. 6 is a top view of the blade design shown in FIG. 1, the bottom view being a mirror image.

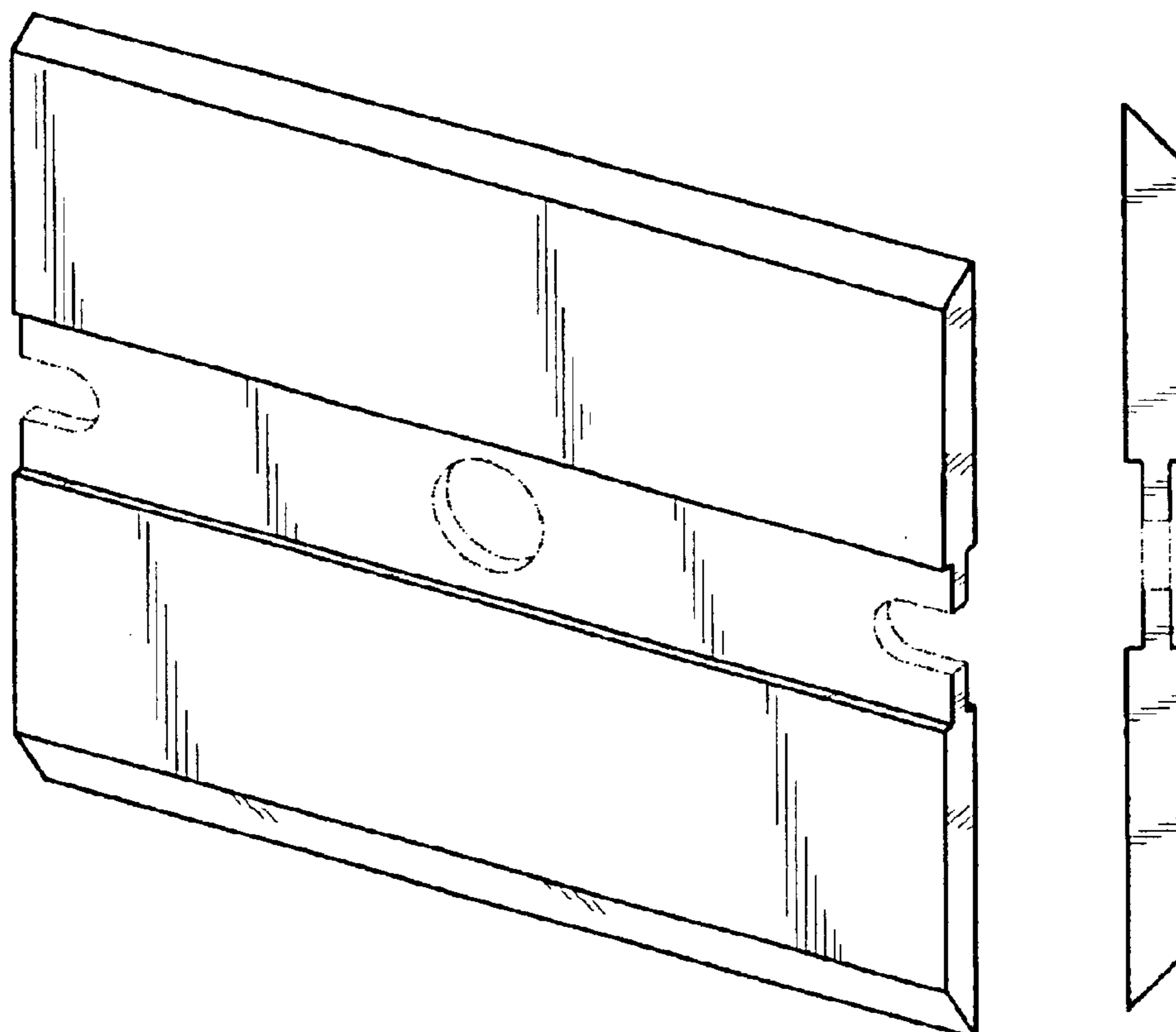
The broken line illustrations in the drawing figures of holes and cutouts are for illustrative purposes only and form no part of the claimed design.

(56) **References Cited**

U.S. PATENT DOCUMENTS

794,934 A	*	7/1905	Gaylor	30/48
2,408,790 A	*	10/1946	Mack	30/346.55
3,654,701 A		4/1972	Hastings, Sr.	26/21
4,860,452 A		8/1989	Guarnaccia et al.	30/346.6
5,771,589 A	*	6/1998	Kim	30/346.58
D449,709 S	*	10/2001	Arey	D28/45

1 Claim, 3 Drawing Sheets



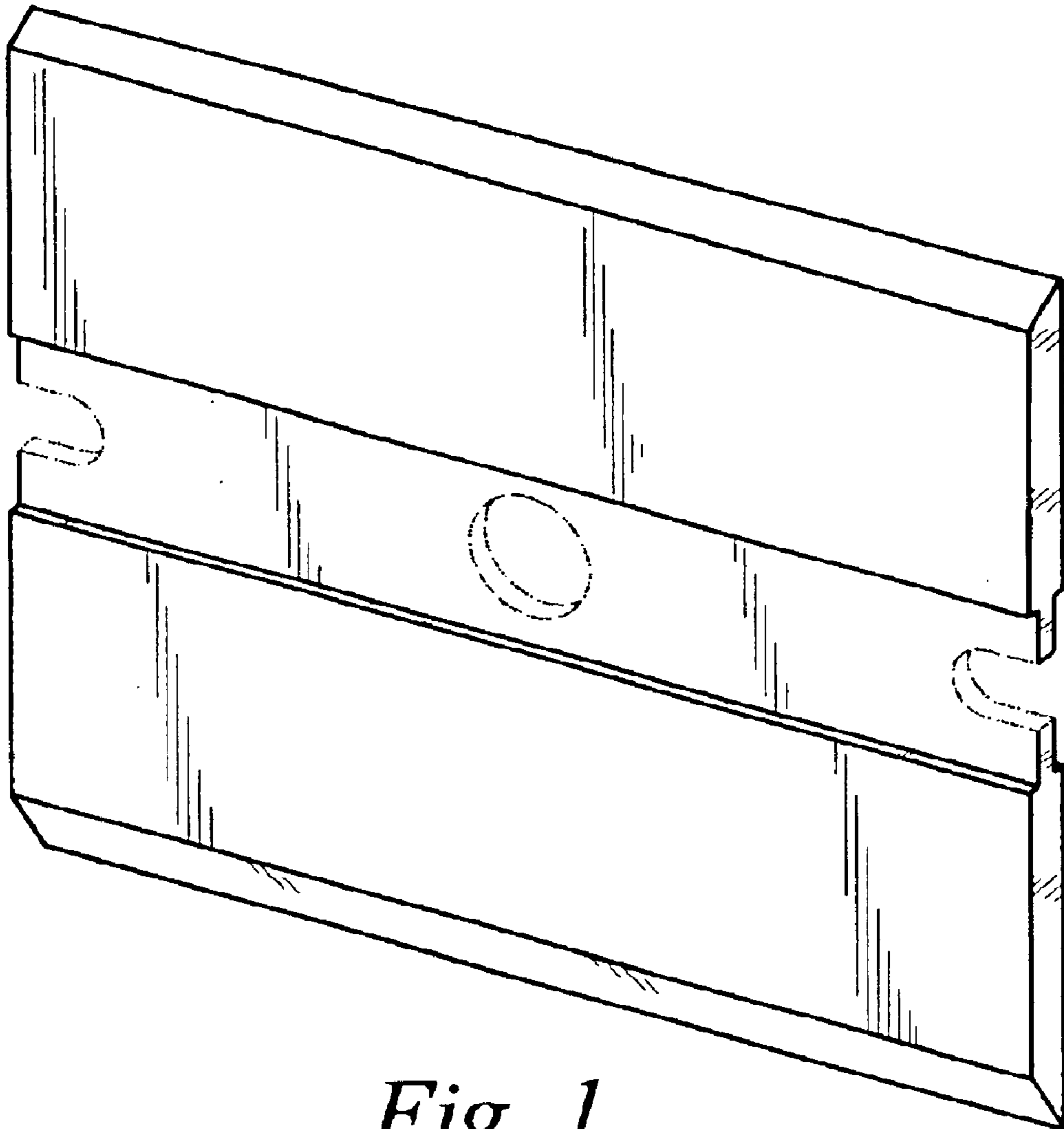


Fig. 1

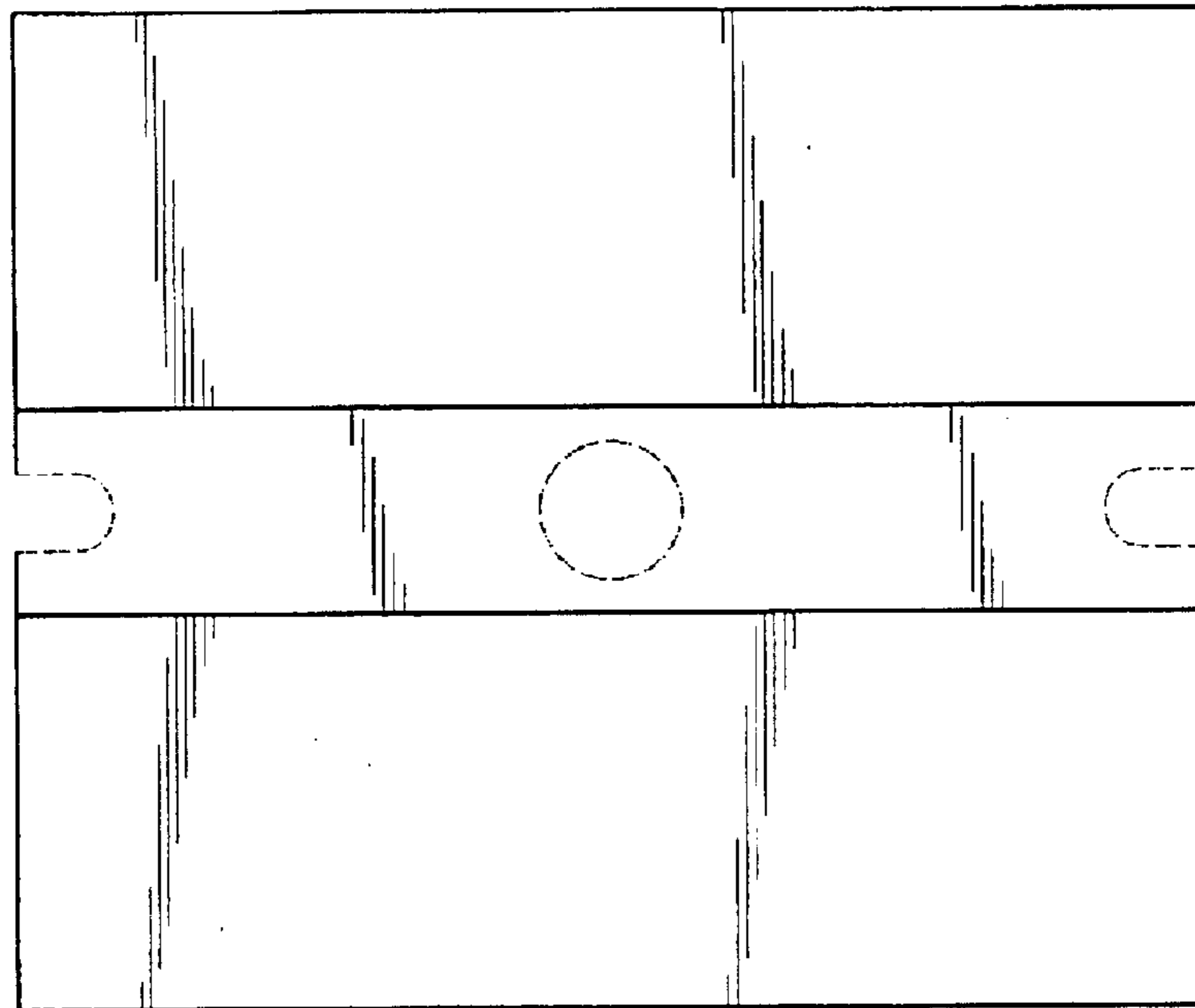


Fig. 2

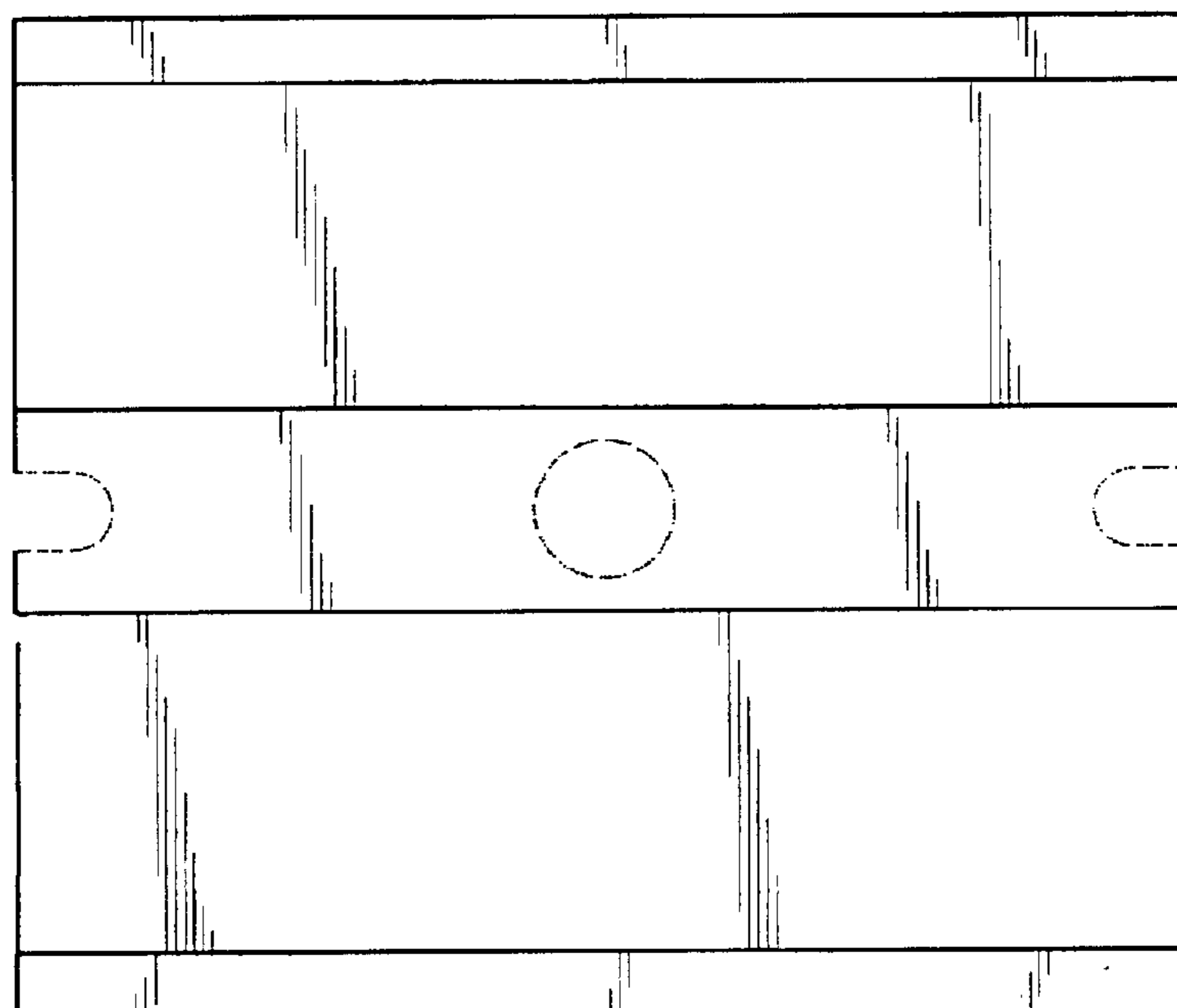


Fig. 3



Fig. 4

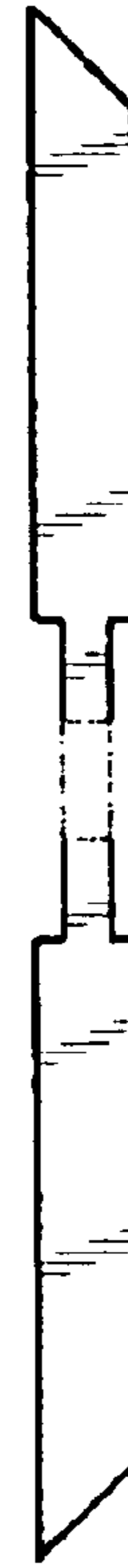


Fig. 5



Fig. 6