

US00D495818S1

(12) **United States Design Patent**
Shieh

(10) **Patent No.:** **US D495,818 S**

(45) **Date of Patent:** **** Sep. 7, 2004**

(54) **PENCIL MOTION LAMP**

(76) **Inventor:** **Whiter Shieh**, 6F, No. 245 Tun Hua
South Road, Sec. 1, Taipei (TW), 106

(**) **Term:** **14 Years**

(21) **Appl. No.:** **29/181,107**

(22) **Filed:** **May 6, 2003**

(51) **LOC (7) Cl.** **26-03**

(52) **U.S. Cl.** **D26/94**

(58) **Field of Search** D26/93-112; 362/101,
362/253, 410-414, 806; D11/157

(56) **References Cited**

U.S. PATENT DOCUMENTS

D383,241 S * 9/1997 Germany D26/94

* cited by examiner

Primary Examiner—Alan P. Douglas

Assistant Examiner—Linda Brooks

(74) *Attorney, Agent, or Firm*—Rosenberg, Klein & Lee

(57) **CLAIM**

The ornamental design for a pencil motion lamp, as shown and described.

DESCRIPTION

FIG. 1 is a perspective view of a pencil motion lamp showing my new design;

FIG. 2 is a front elevational view thereof;

FIG. 3 is a rear elevational view thereof;

FIG. 4 is a left side elevational view thereof;

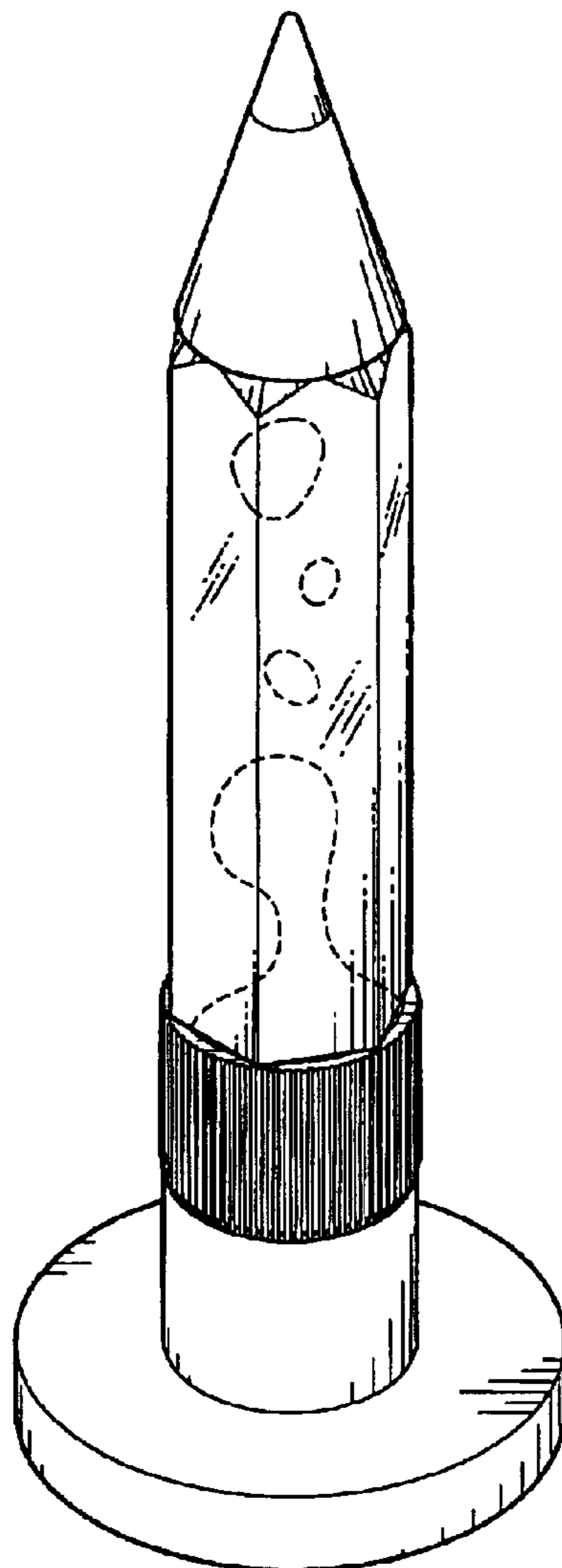
FIG. 5 is a right side elevational view thereof;

FIG. 6 is a top plan view thereof; and,

FIG. 7 is a bottom plan view thereof.

The broken lines shown are for illustrative purposes only and form no part of the claimed design.

1 Claim, 4 Drawing Sheets



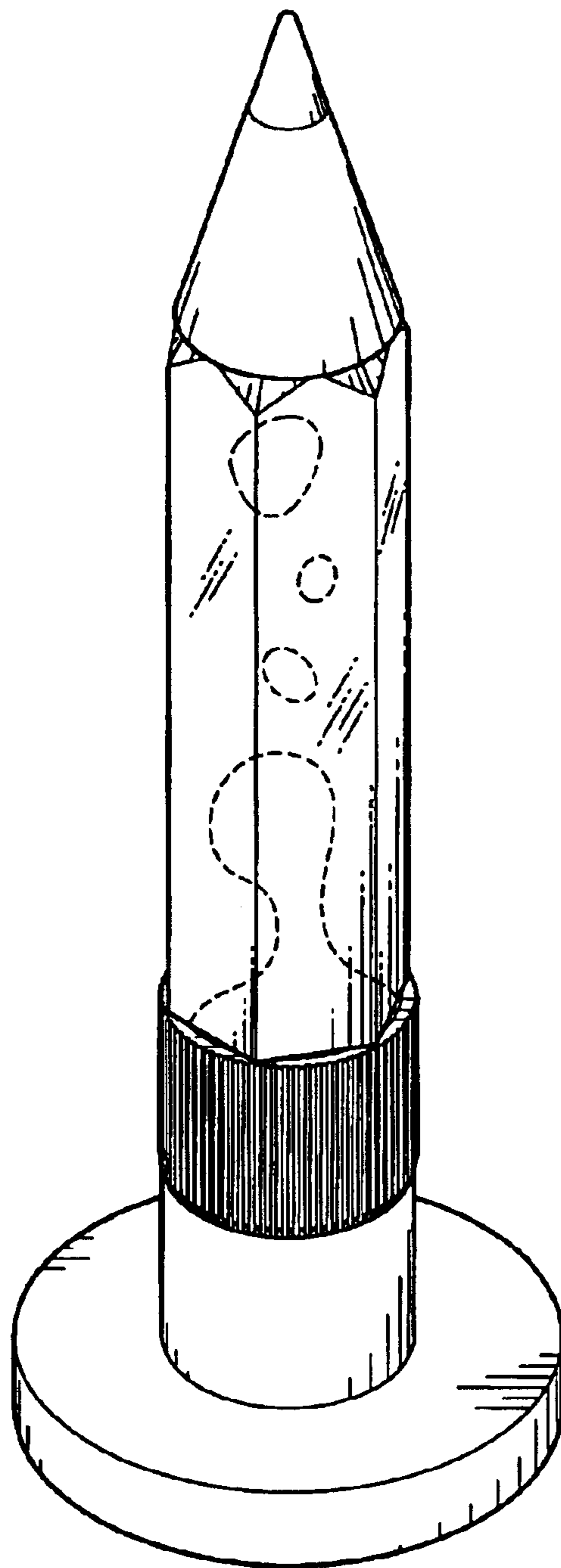


FIG. 1

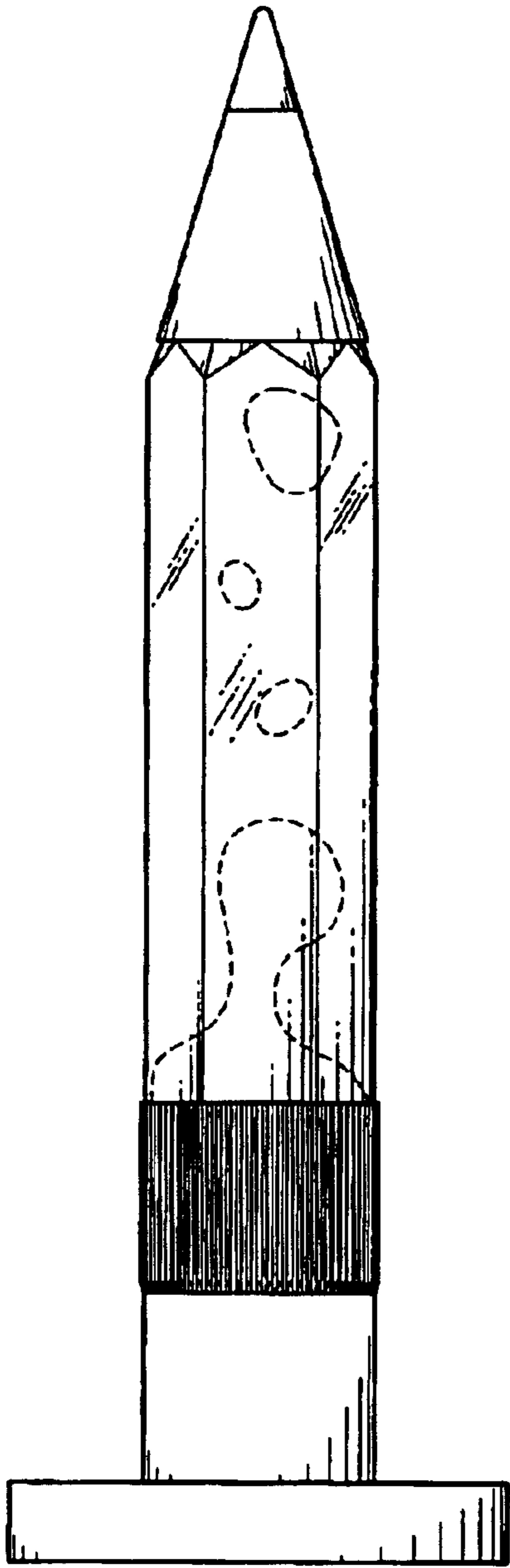


FIG. 3

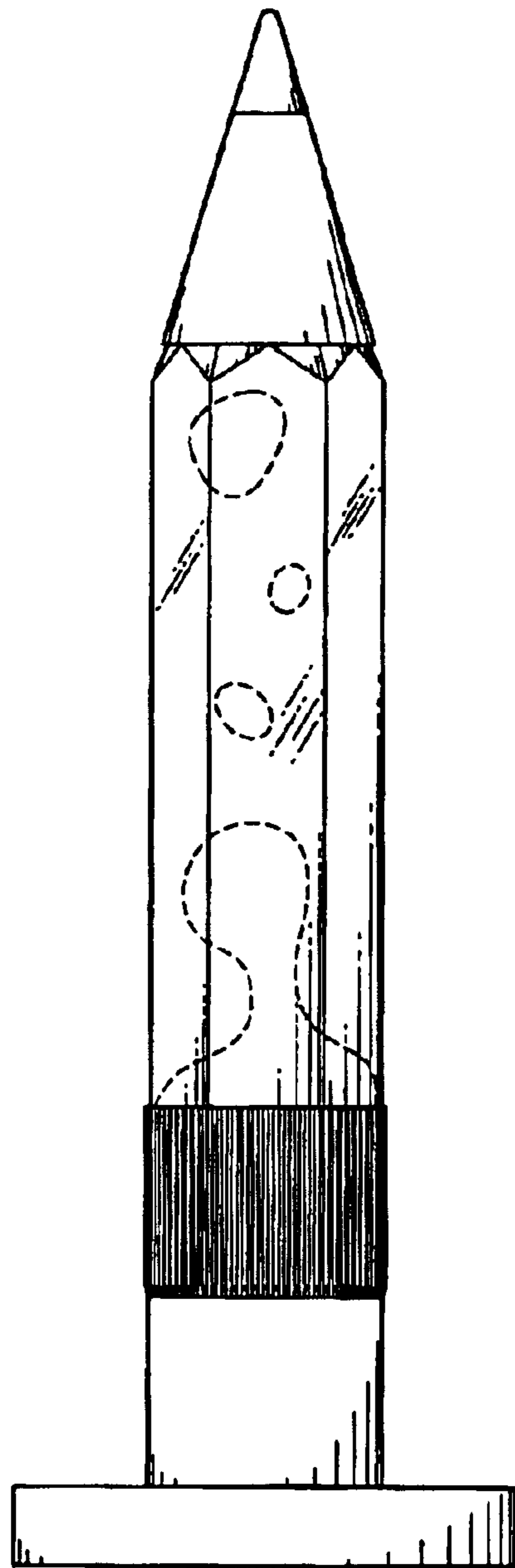


FIG. 2

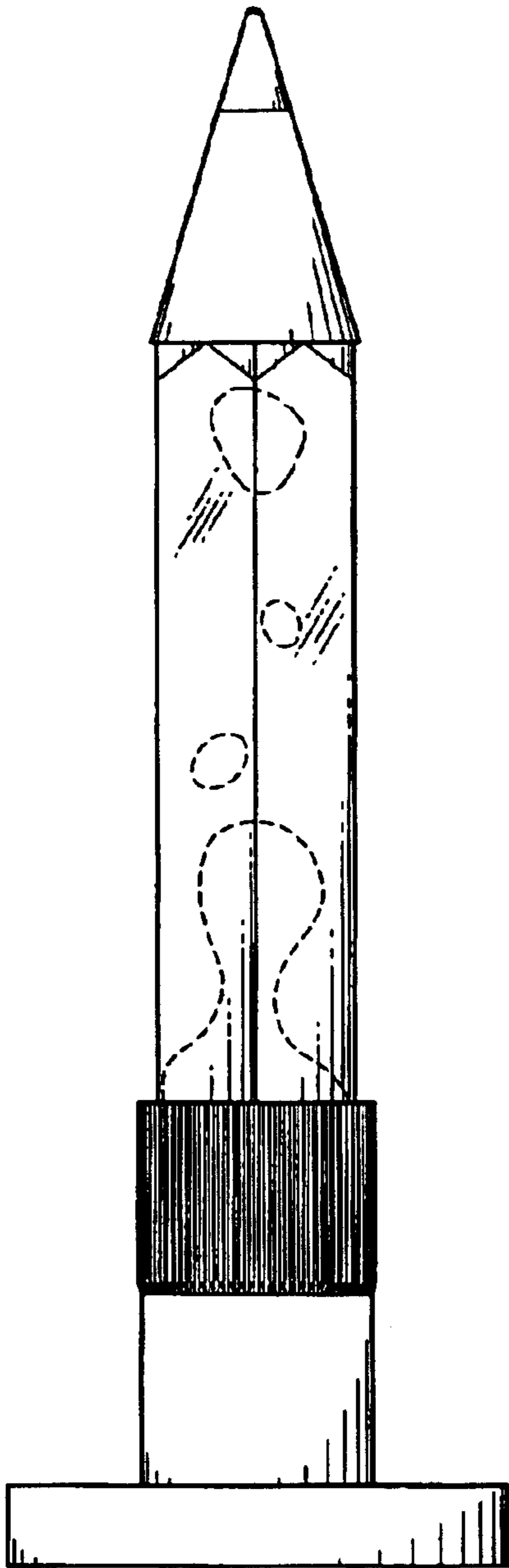


FIG. 5

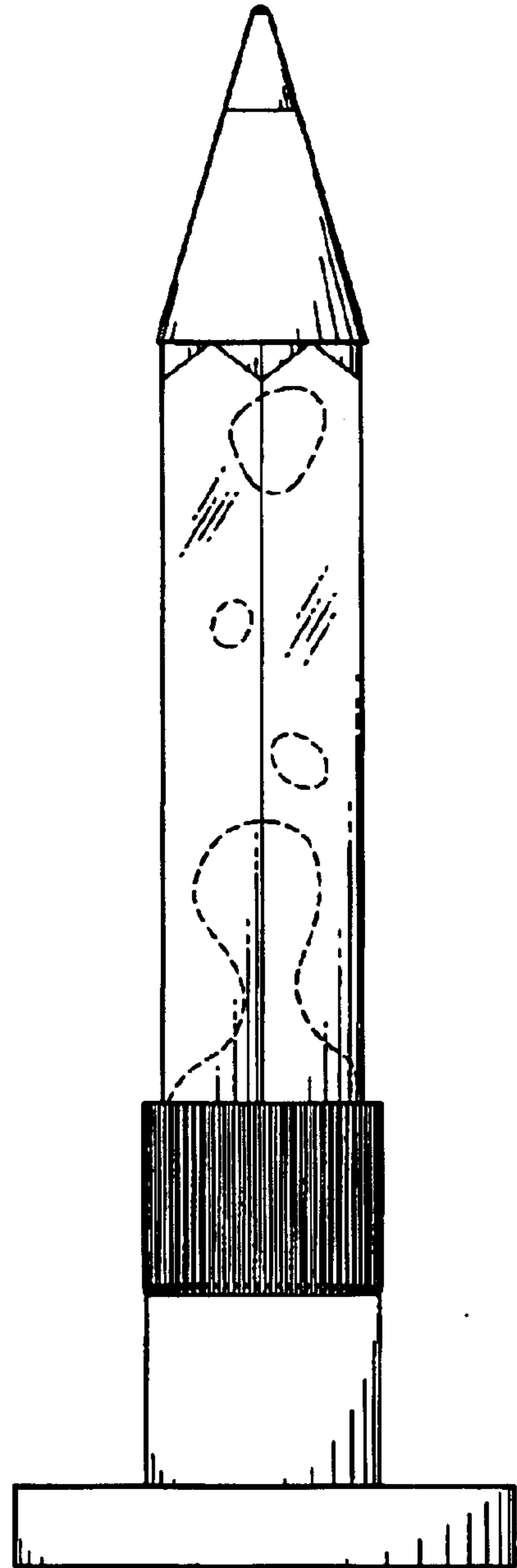


FIG. 4

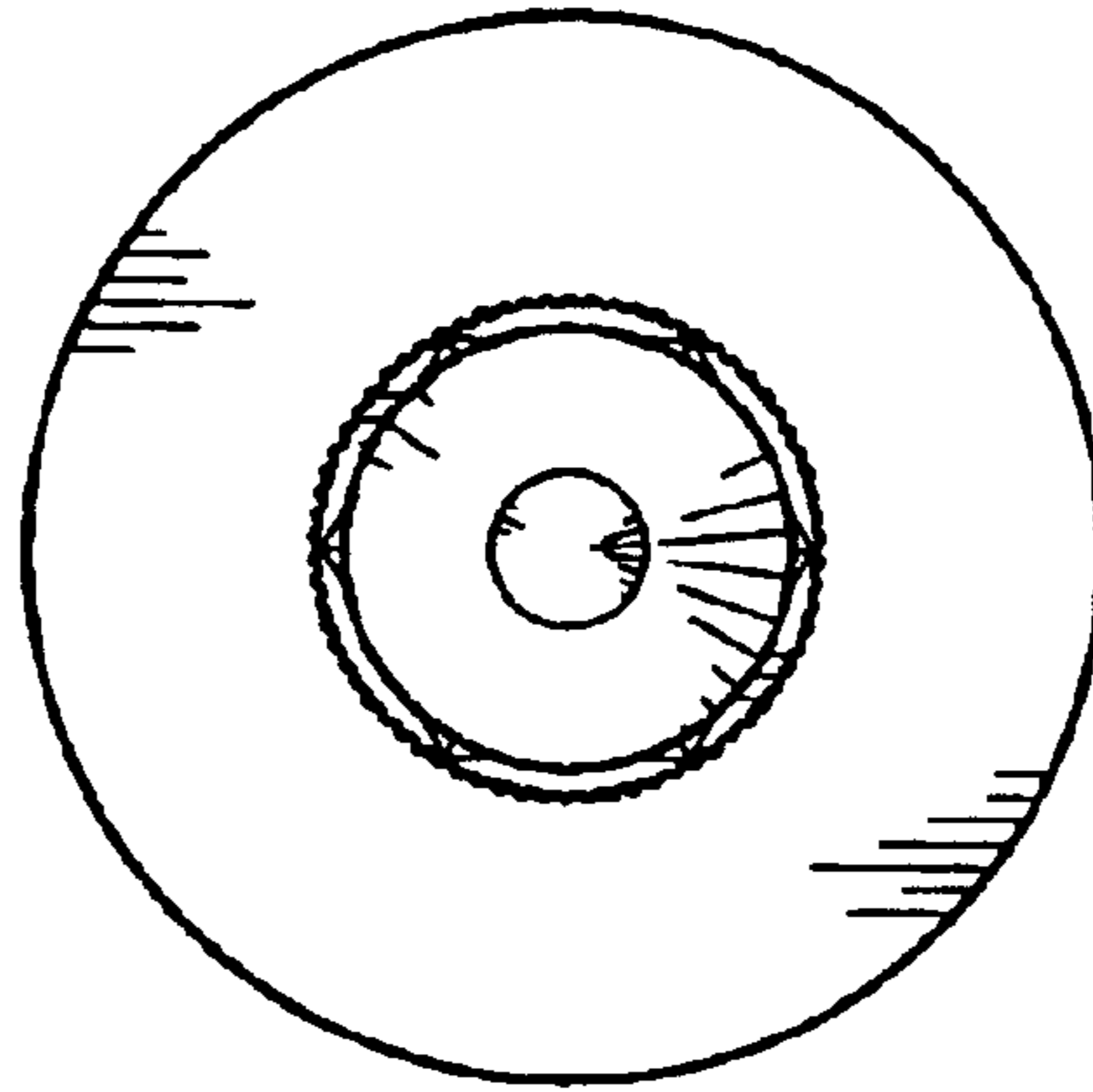


FIG. 6

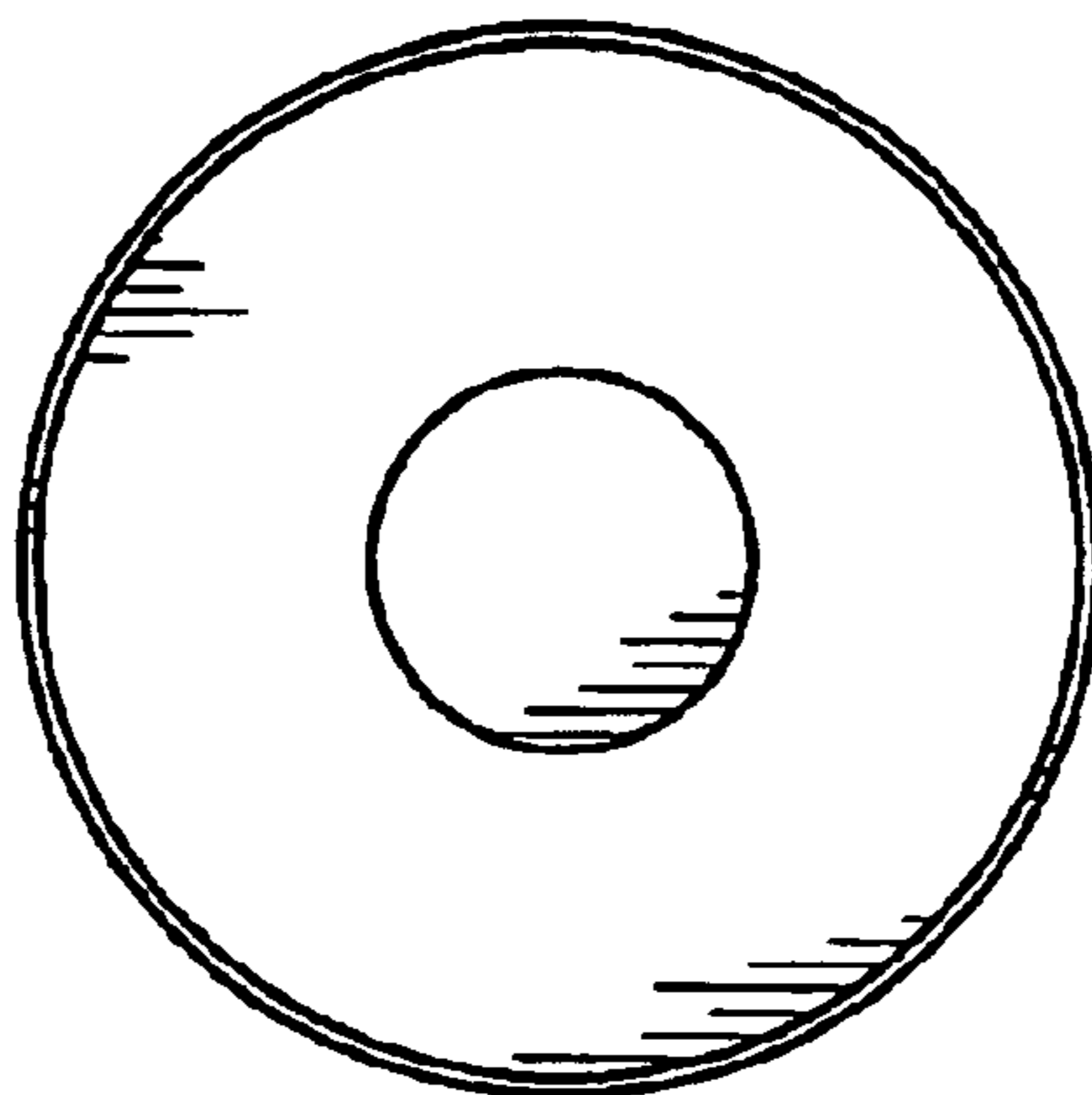


FIG. 7