

US00D495817S1

(12) **United States Design Patent** (10) **Patent No.:** **US D495,817 S**  
**Bucher et al.** (45) **Date of Patent:** **\*\* Sep. 7, 2004**

(54) **COMBINED SOLAR POWERED OUTDOOR LANTERN AND STAKE MOUNT**

(75) Inventors: **Charles E. Bucher**, Valrico, FL (US);  
**John C. Bucher**, Ft. Lauderdale, FL (US)

(73) Assignee: **King of Fans Inc.**, Fort Lauderdale, FL (US)

(\*\*) Term: **14 Years**

(21) Appl. No.: **29/183,997**

(22) Filed: **Jun. 19, 2003**

(51) **LOC (7) Cl.** ..... **26-05**

(52) **U.S. Cl.** ..... **D26/67**

(58) **Field of Search** ..... D26/24, 67-73,  
D26/80, 82, 84-92, 128; 362/145, 147,  
153, 153.1, 186, 257, 276, 312, 330, 351,  
354, 358, 361-363, 431-433, 806

(56) **References Cited**

**U.S. PATENT DOCUMENTS**

D360,048 S	*	7/1995	Messina, Jr.	.....	D26/67
D421,504 S		3/2000	Meck et al.	.....	D26/67
D421,814 S		3/2000	Meck et al.	.....	D26/67
D422,106 S		3/2000	Meck et al.	.....	D26/87
D427,352 S		6/2000	Miranda	.....	D26/72
6,305,826 B1	*	10/2001	Yang	.....	362/351
D458,702 S	*	6/2002	Ellis	.....	D26/68
D468,470 S	*	1/2003	Chen	.....	D26/67
D469,907 S	*	2/2003	Chen	.....	D26/67
D475,797 S		6/2003	Cheong	.....	D26/37
D478,684 S	*	8/2003	DiPasquale et al.	.....	D26/72

**OTHER PUBLICATIONS**

Design House Lighting Catalog; p. 116; item 6096VG/6099BZ.\*

Rockscapes, Inc. Landscape Illumination Catalog; p. 25; item H91-7-AZMW.\*

Seagull Lighting Products, Inc. Catalog 2001; p. 298; items 8207-17 and 8513-17.\*

Intermatic Incorporated, Intermatic website. Copyright 2000; Malibu lighting, 10 pages, Jun. 13, 2003.

Intermatic Home Page, Intermatic website. Copyright 2003; Malibu lighting, 34 pages, Jun. 13, 2003.

\* cited by examiner

*Primary Examiner*—Clare E Heflin

(74) *Attorney, Agent, or Firm*—Brian S. Steinberger; Law Office of Brian S. Steinberger, P.A.

(57) **CLAIM**

The ornamental design of a combined solar powered outdoor lantern and stake mount, as shown and described.

**DESCRIPTION**

FIG. 1 is a perspective view of a solar powered outdoor lantern with stake mount showing our new design.

FIG. 2 is a front view of the solar powered outdoor lantern with stake mount, and the stake is shown broken away for illustrative purposes.

FIG. 3 is a top view of the solar powered outdoor lantern with stake mount; and,

FIG. 4 is a bottom view of the housing portion of the solar powered outdoor lantern, shown separately for illustrative purposes.

**1 Claim, 4 Drawing Sheets**

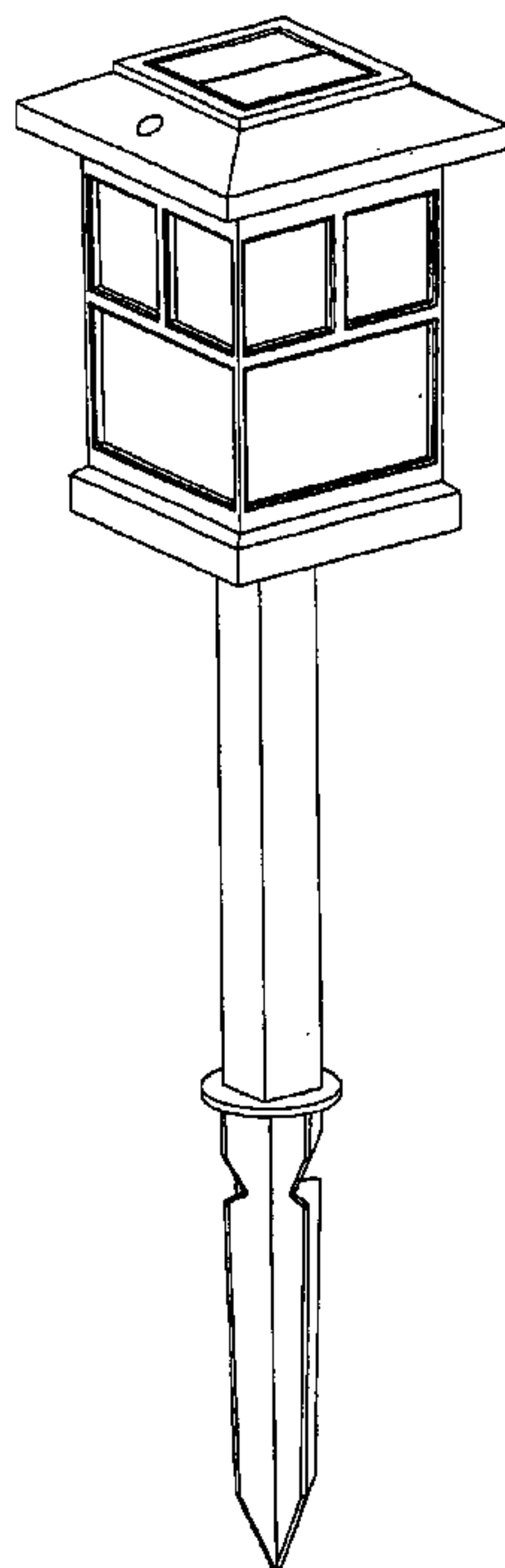


Fig. 1

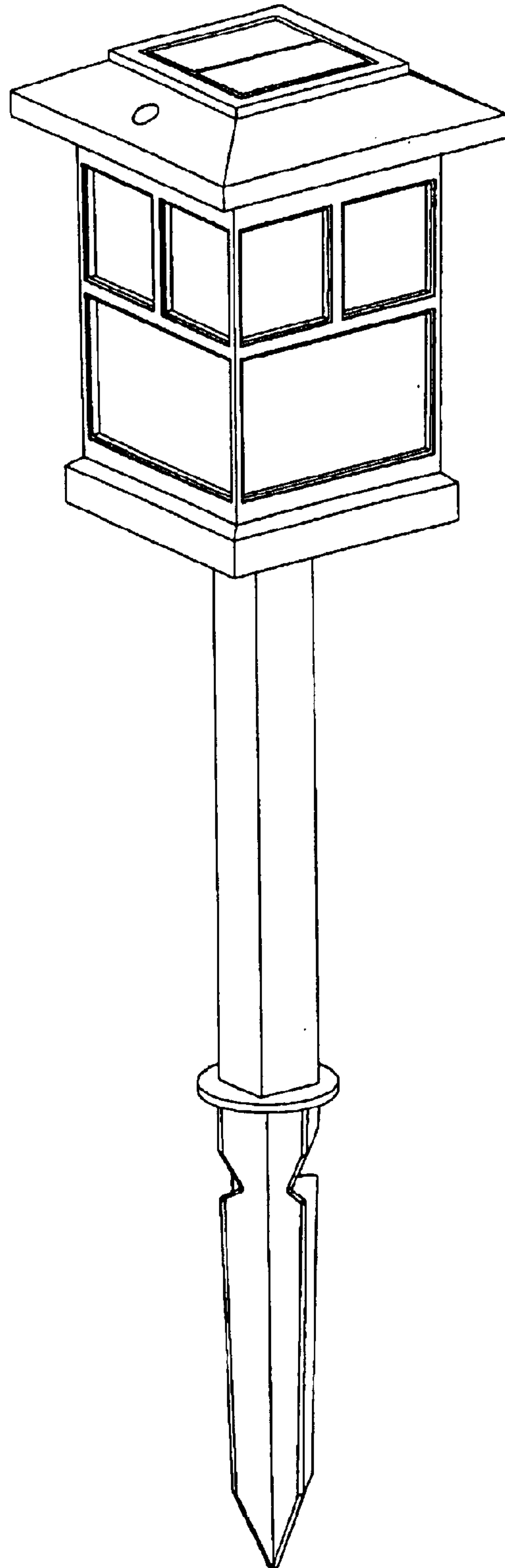


Fig.2

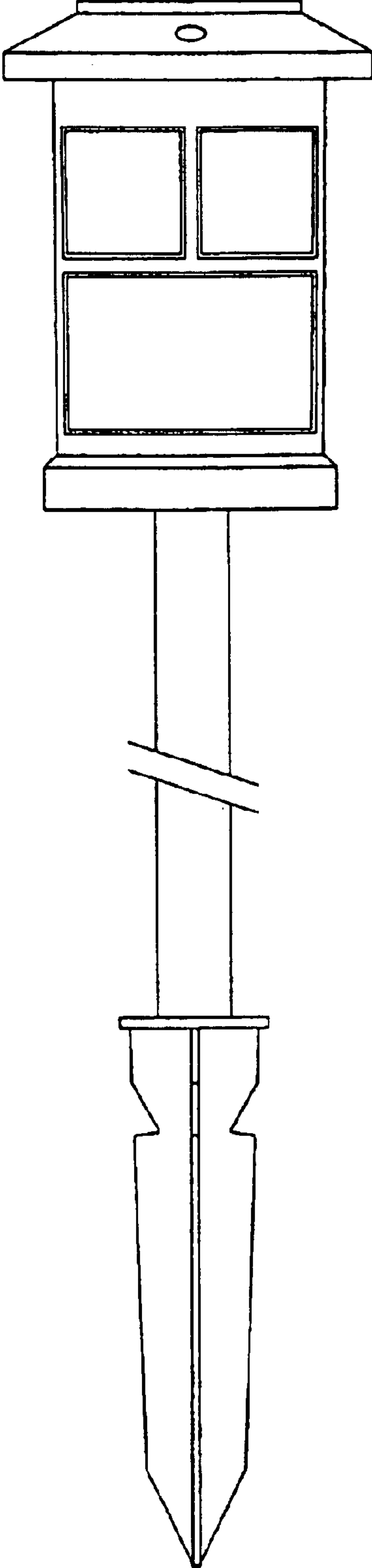


Fig.3

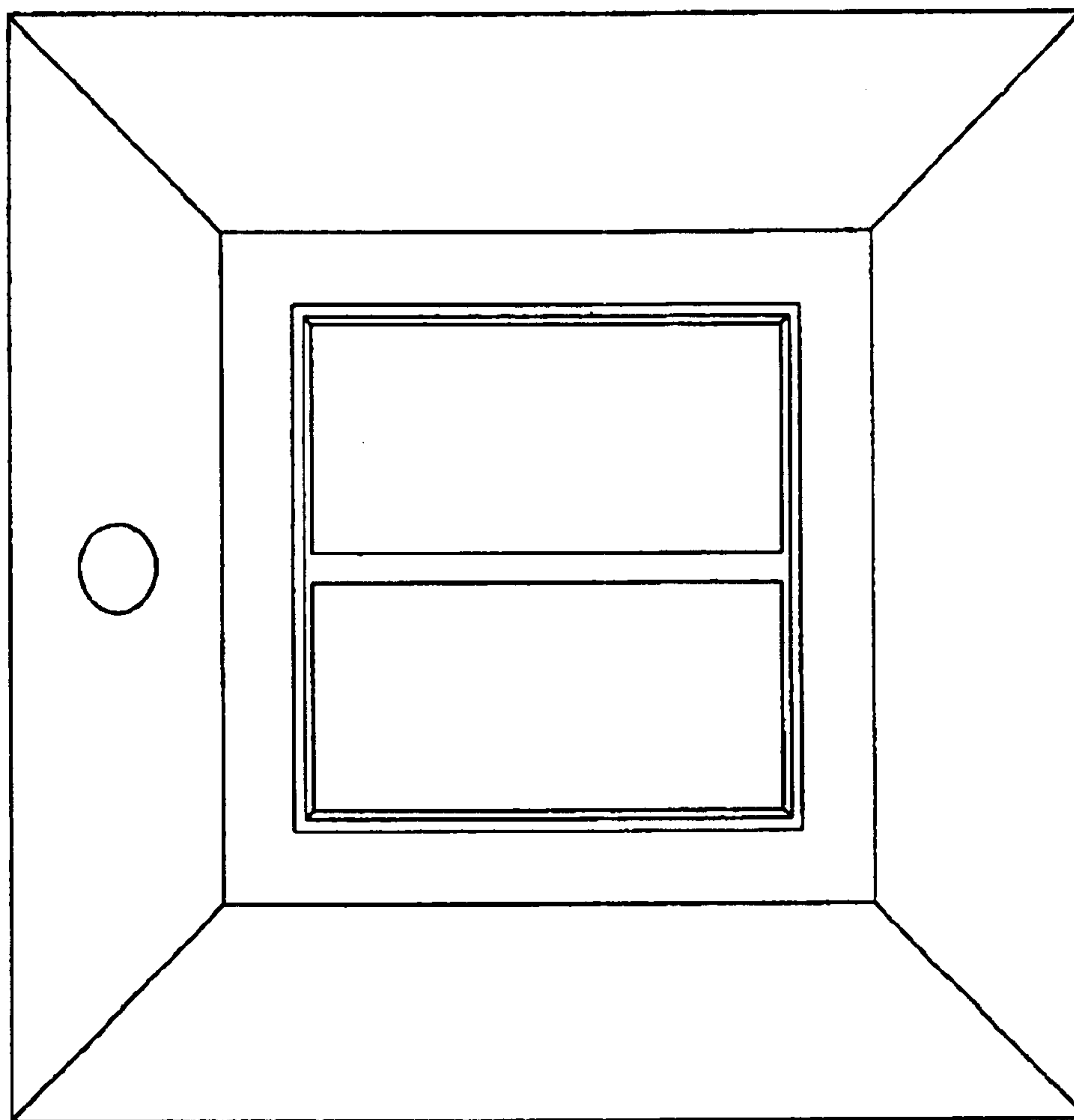


Fig.4

