

US00D495814S1

(12) **United States Design Patent**  
**James**

(10) **Patent No.:** **US D495,814 S**

(45) **Date of Patent:** **\*\* Sep. 7, 2004**

(54) **MOTORCYCLE HEADLIGHT**

D477,427 S \* 7/2003 Mazziotti ..... D26/28

(75) **Inventor:** **Jesse G. James**, Surfside, CA (US)

\* cited by examiner

(73) **Assignee:** **Honda Motor Co., Ltd.**, Tokyo (JP)

*Primary Examiner*—Marcus A. Jackson

(74) *Attorney, Agent, or Firm*—Plumsea Law Group, LLC

(\*\*) **Term:** **14 Years**

(57) **CLAIM**

(21) **Appl. No.:** **29/195,205**

The ornamental design for a motorcycle headlight, as shown and described.

(22) **Filed:** **Dec. 9, 2003**

**DESCRIPTION**

(51) **LOC (7) Cl.** ..... **26-06**

(52) **U.S. Cl.** ..... **D26/28**

(58) **Field of Search** ..... D26/28–36; 362/61,  
362/80, 81, 82, 83, 83.4, 330–340, 267,  
269, 275

FIG. 1 is a perspective view of a motorcycle headlight showing my new design;

FIG. 2 is a side elevational view thereof, the opposite side elevational view being a mirror image; and,

FIG. 3 is a front elevational view thereof.

The broken line showing of the circle on the top boss is for illustrative purposes only and forms no part of the claimed invention.

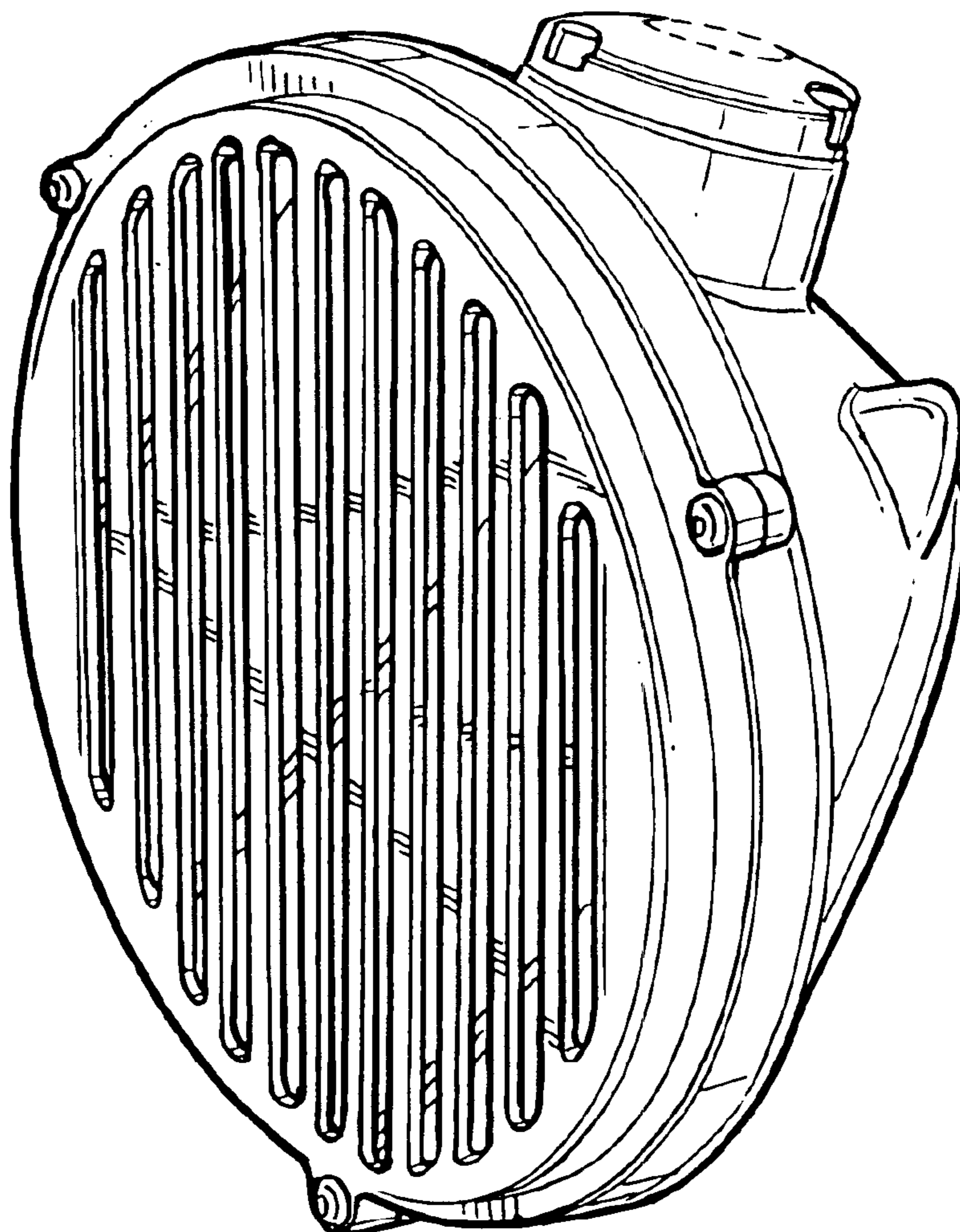
(56) **References Cited**

**U.S. PATENT DOCUMENTS**

D471,658 S \* 3/2003 Byggmatar ..... D26/28

D472,654 S \* 4/2003 Wiggerman ..... D26/28

**1 Claim, 2 Drawing Sheets**



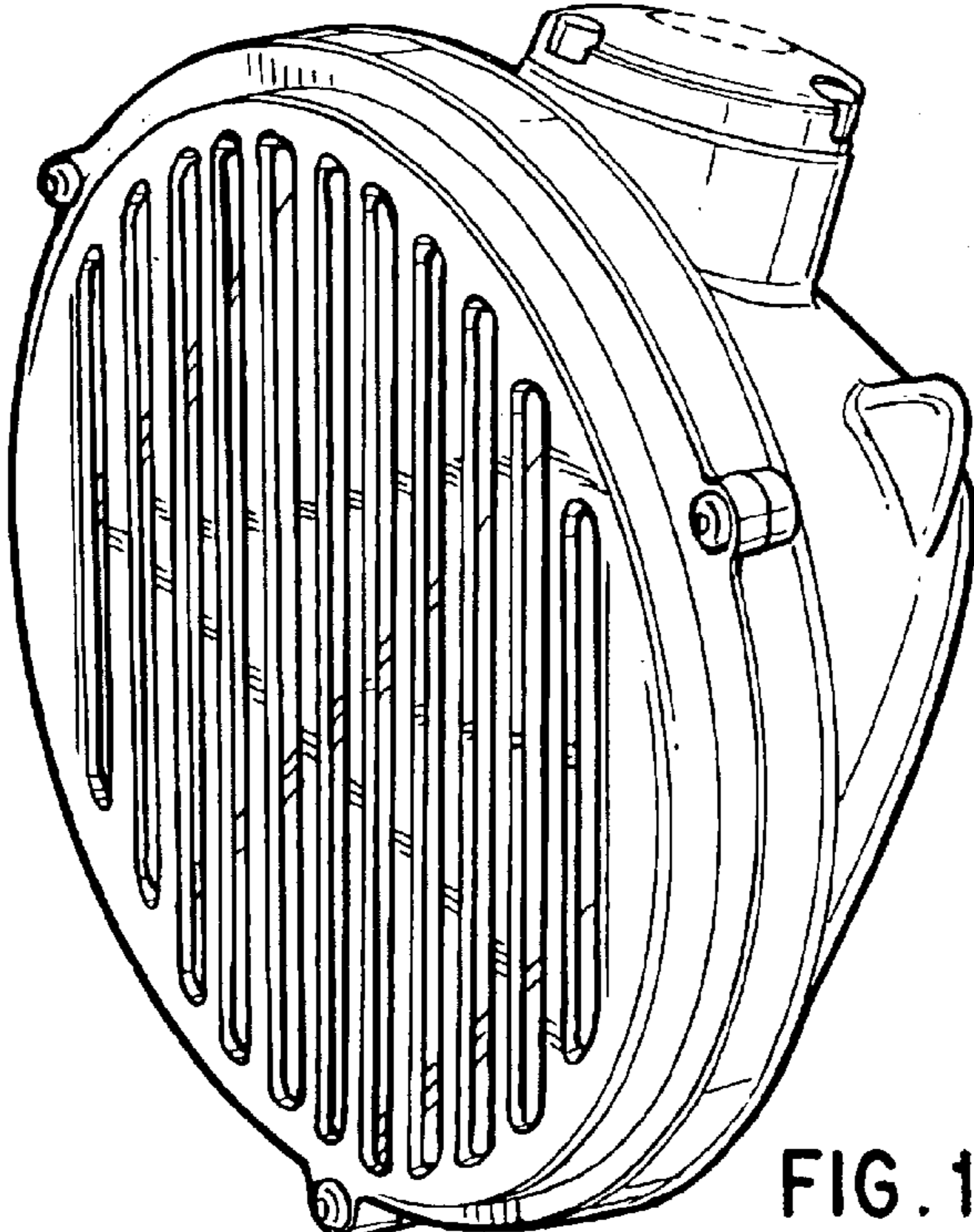


FIG. 1

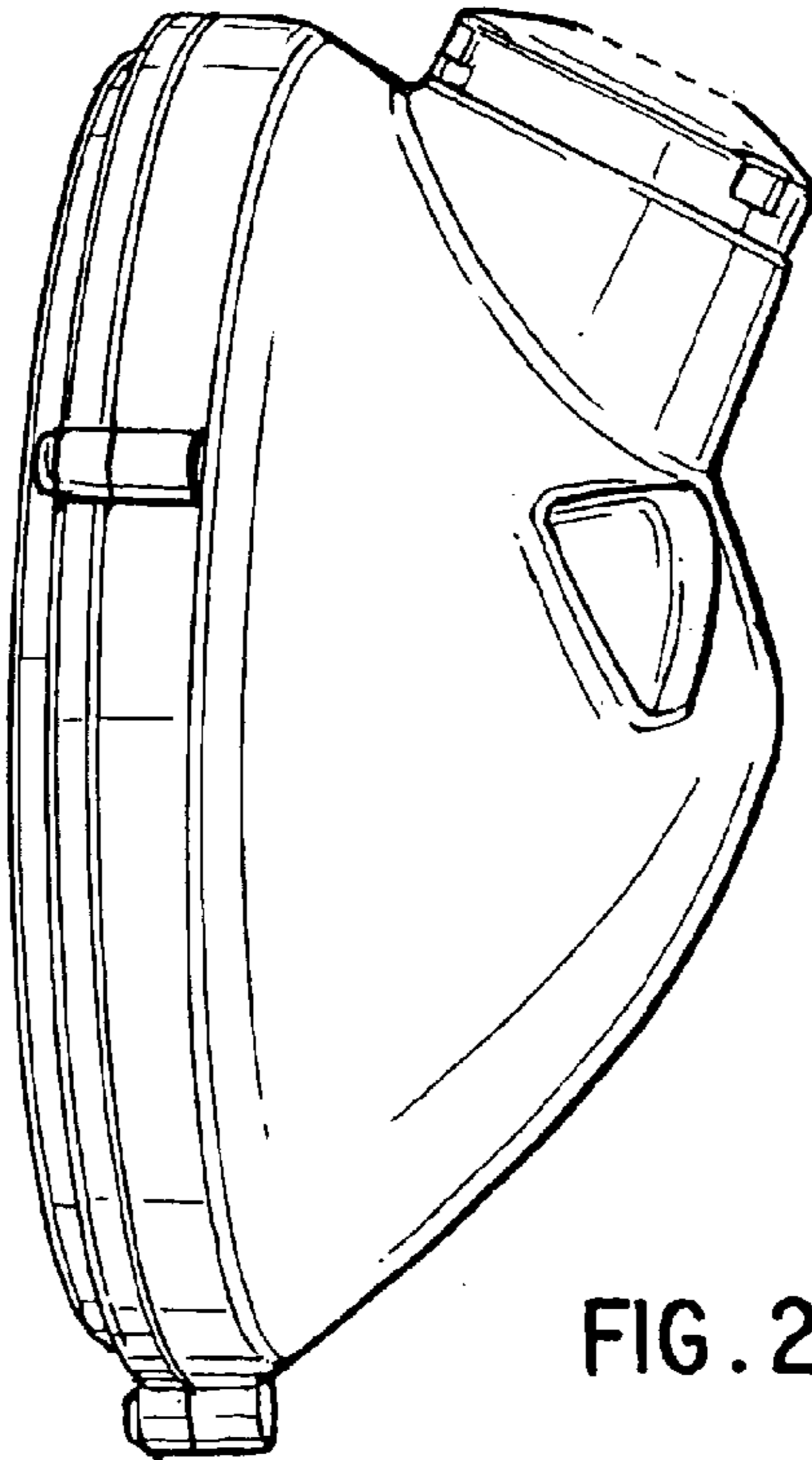


FIG. 2

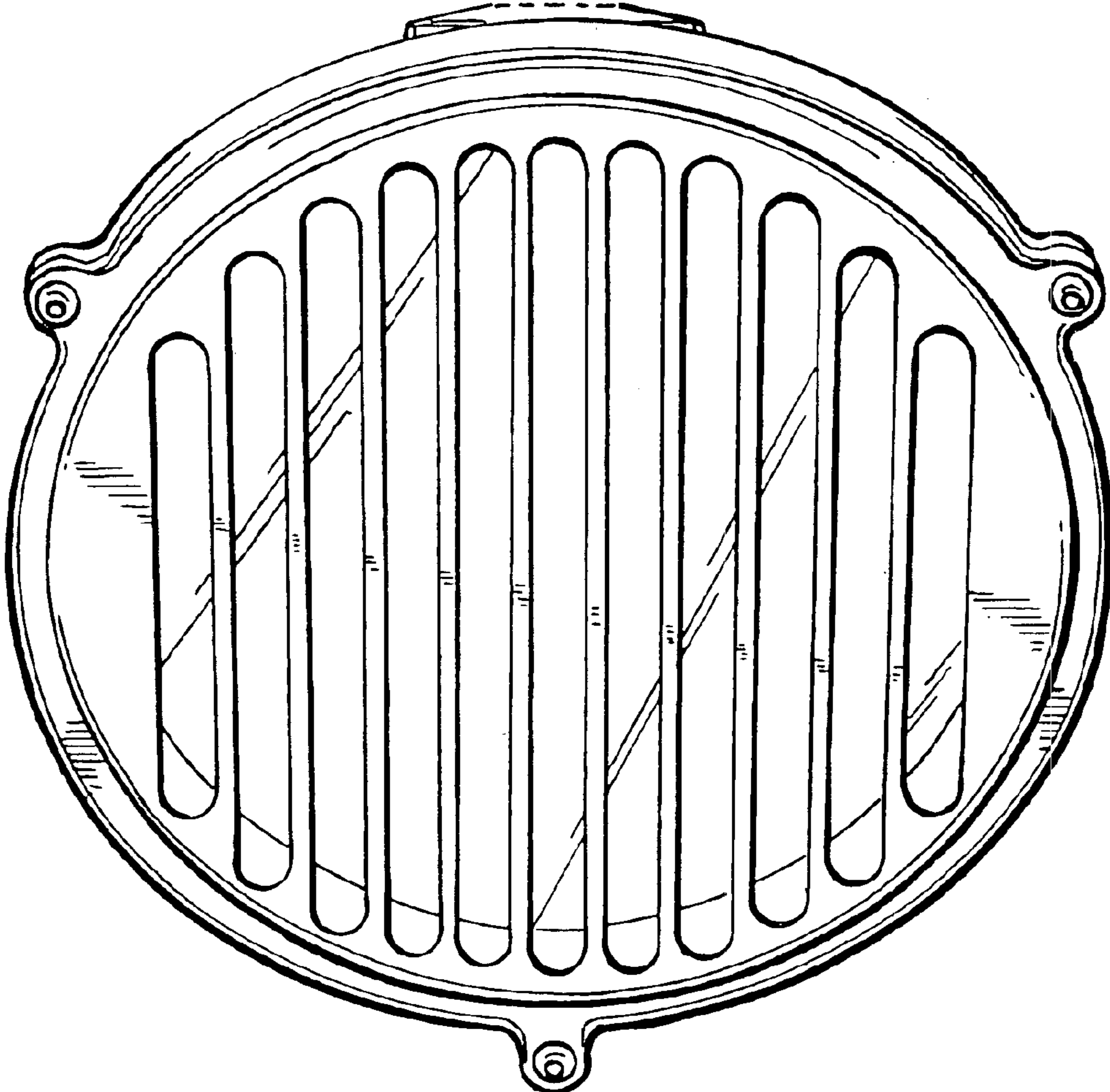


FIG. 3