



US00D495808S1

(12) **United States Design Patent**
Habeck et al.

(10) **Patent No.:** **US D495,808 S**

(45) **Date of Patent:** **** Sep. 7, 2004**

(54) **PICTURE WINDOW FLUSH FIN
REPLACEMENT FRAME SILL**

D317,513 S * 6/1991 Miller et al. D26/140
D384,169 S * 9/1997 Leonelli D25/119
D459,975 S * 7/2002 Dinh et al. D8/354
D481,468 S * 10/2003 Dallaire D25/119

(75) Inventors: **Jerome Carl Habeck**, Holt, MI (US);
Stanley Gursky, Yardley, PA (US);
Dennis C. Westphal, Parma, MI (US);
Edward M. McIntosh, West Chester,
PA (US)

* cited by examiner

(73) Assignee: **CertainTeed Corporation**, Valley
Forge, PA (US)

Primary Examiner—Robin V. Taylor

(74) *Attorney, Agent, or Firm*—Duane Morris LLP

(**) Term: **14 Years**

(57) **CLAIM**

The ornamental design for a picture window flush fin
replacement frame sill, as shown and described.

(21) Appl. No.: **29/178,749**

(22) Filed: **Mar. 31, 2003**

DESCRIPTION

(51) **LOC (7) Cl.** **25-01**

(52) **U.S. Cl.** **D25/119; D6/580**

(58) **Field of Search** **D6/580; D25/119;**
52/204.5; 160/38, 168.1 V, 178.1 R

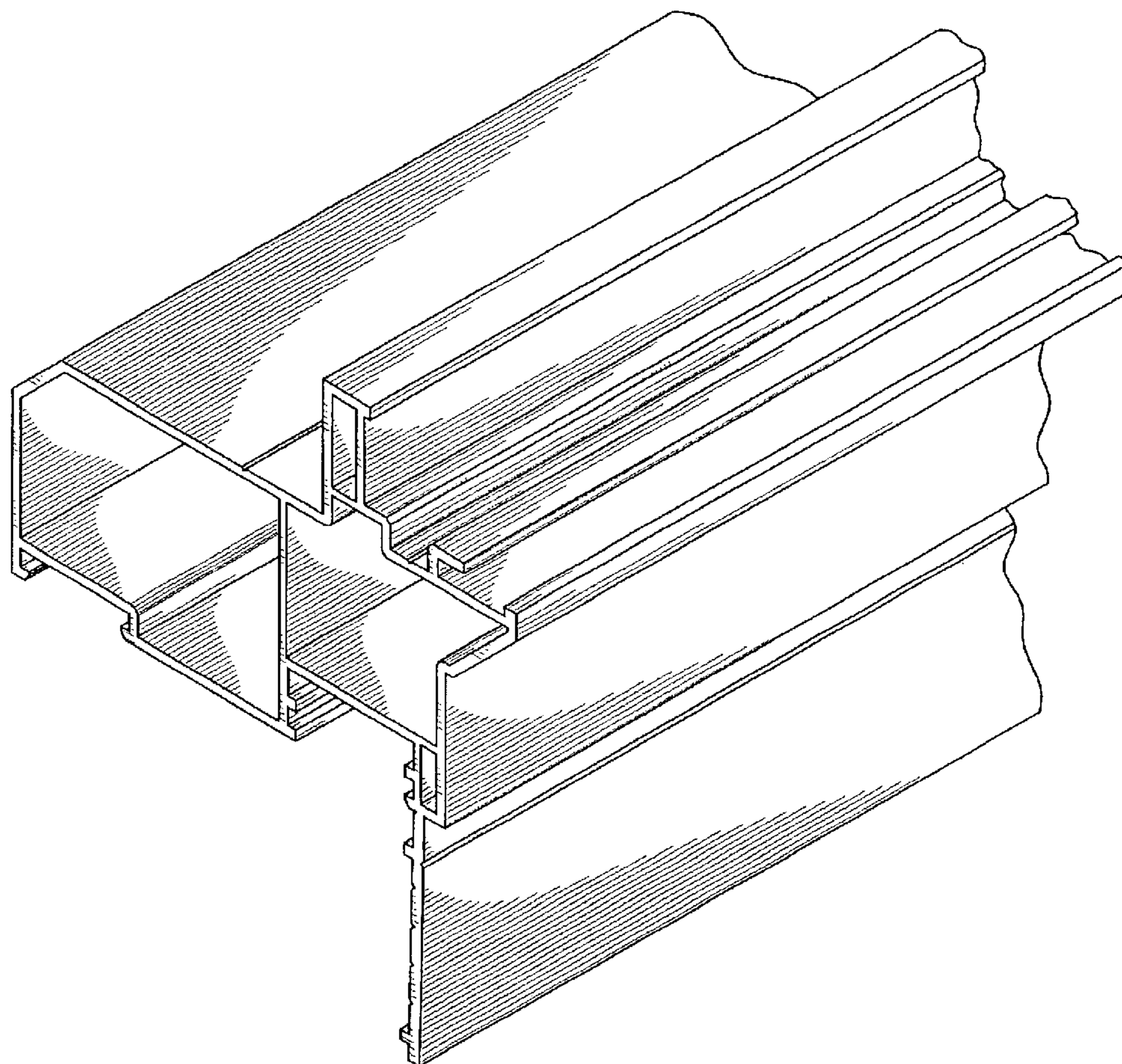
The FIGURE is a front perspective view of a picture window
flush fin replacement frame sill, showing our new design, the
rear perspective view being a mirror image, and which is
shown fragmented indicating indefinite length.

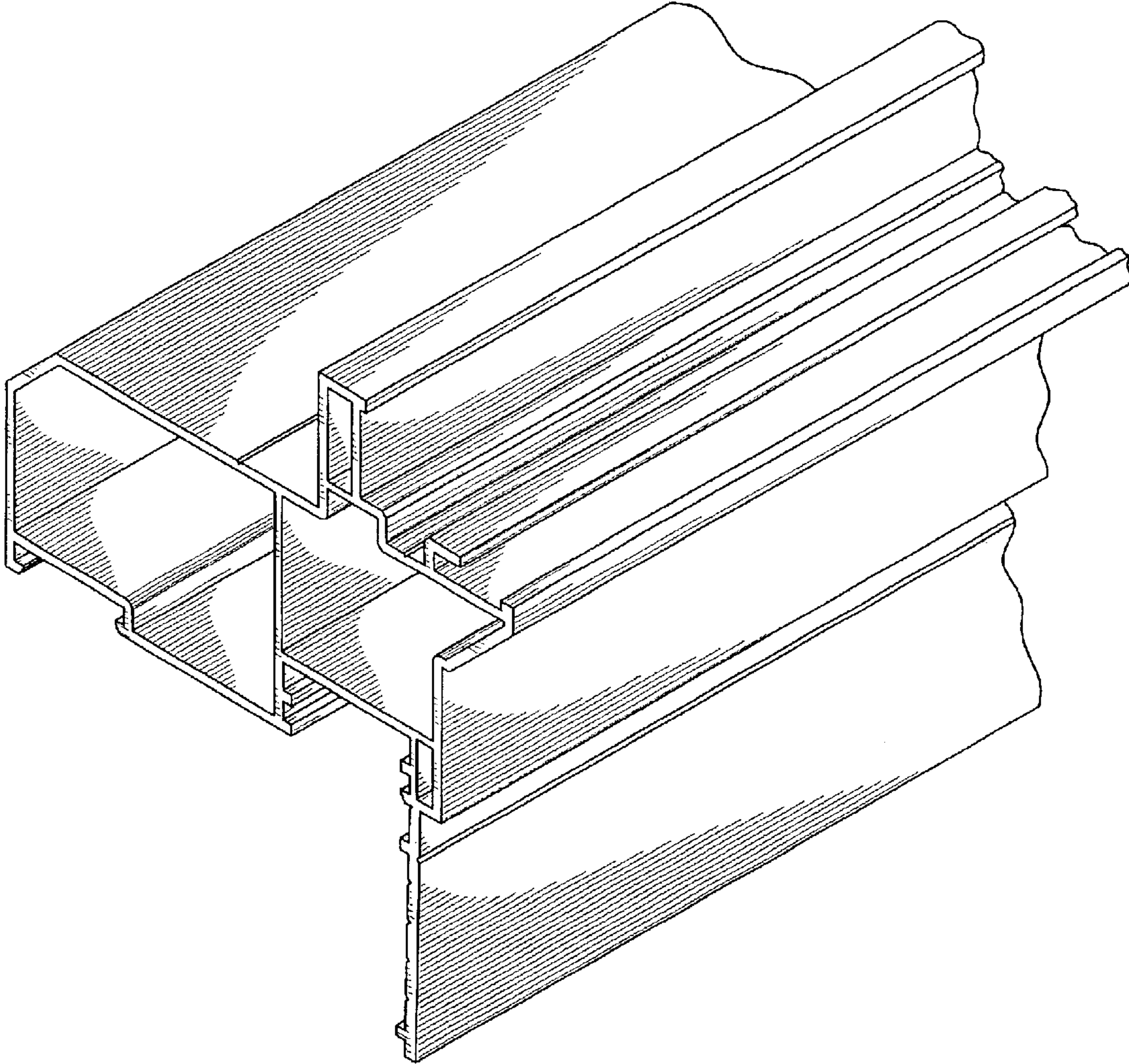
(56) **References Cited**

U.S. PATENT DOCUMENTS

D261,313 S * 10/1981 Schmidt D25/119

1 Claim, 1 Drawing Sheet





THE FIGURE