

US00D495805S1

(12) **United States Design Patent**  
**Lea et al.**

(10) **Patent No.: US D495,805 S**  
(45) **Date of Patent: \*\* \*Sep. 7, 2004**

(54) **ASSAY DEVICE**

(75) Inventors: **Peter Lea**, Toronto (CA); **Michelle Gal**, Toronto (CA); **Nicole Szabados Haynes**, Toronto (CA)

(73) Assignee: **Umedik, Inc.**, Toronto (CA)

(\*) Notice: This patent is subject to a terminal disclaimer.

(\*\*) Term: **14 Years**

(21) Appl. No.: **29/144,399**

(22) Filed: **Jul. 2, 2001**

**Related U.S. Application Data**

(63) Continuation-in-part of application No. 09/866,305, filed on May 25, 2001.

(51) **LOC (7) Cl.** ..... **24-04**

(52) **U.S. Cl.** ..... **D24/223; D24/216; D24/225**

(58) **Field of Search** ..... **D24/225, 224, D24/223, 220; 422/102, 104, 58, 56, 57, 61, 87; 436/518**

(56) **References Cited**

**U.S. PATENT DOCUMENTS**

D308,722 S \* 6/1990 Chang et al. .... D24/223

5,238,652 A \* 8/1993 Sun et al. .... 422/58  
5,260,221 A \* 11/1993 Ramel et al. .... 422/56  
5,597,532 A \* 1/1997 Connolly ..... 422/56  
D384,164 S \* 9/1997 Leiva et al. .... D24/223  
D405,539 S \* 2/1999 Poissant et al. .... D24/223  
D456,082 S \* 4/2002 Bouse et al. .... D24/223

\* cited by examiner

*Primary Examiner*—Ian Simmons

(74) *Attorney, Agent, or Firm*—Dimock Stratton Clarizio; Adrian M. Kaplan

(57) **CLAIM**

The ornamental design for an assay device, as shown and described.

**DESCRIPTION**

FIG. 1 is a perspective view of a first embodiment of an assay device, according to our design;  
FIG. 2 is a top view of the assay device of FIG. 1;  
FIG. 3 is a bottom view of the assay device of FIG. 1;  
FIG. 4 is a front side view of the assay device of FIG. 1;  
FIG. 5 is a right side view of the assay device of FIG. 1; and  
FIG. 6 is a left side view of the assay device of FIG. 1;  
FIG. 7 is a perspective view of the assay device of FIG. 1 with the cover removed; and,  
FIG. 8 is a perspective view of a second embodiment of the assay device showing our new design.

**1 Claim, 6 Drawing Sheets**

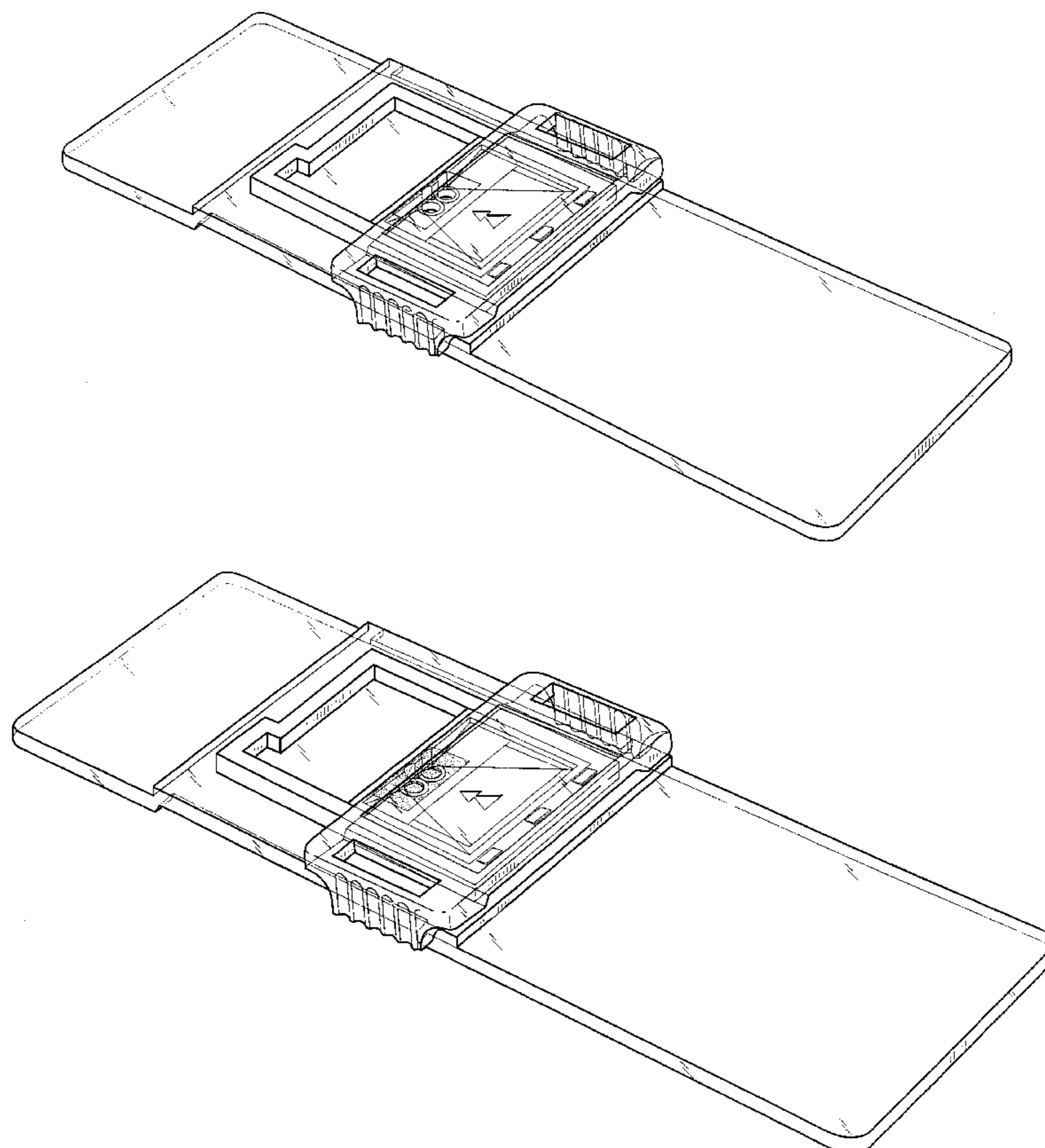


FIG. 1

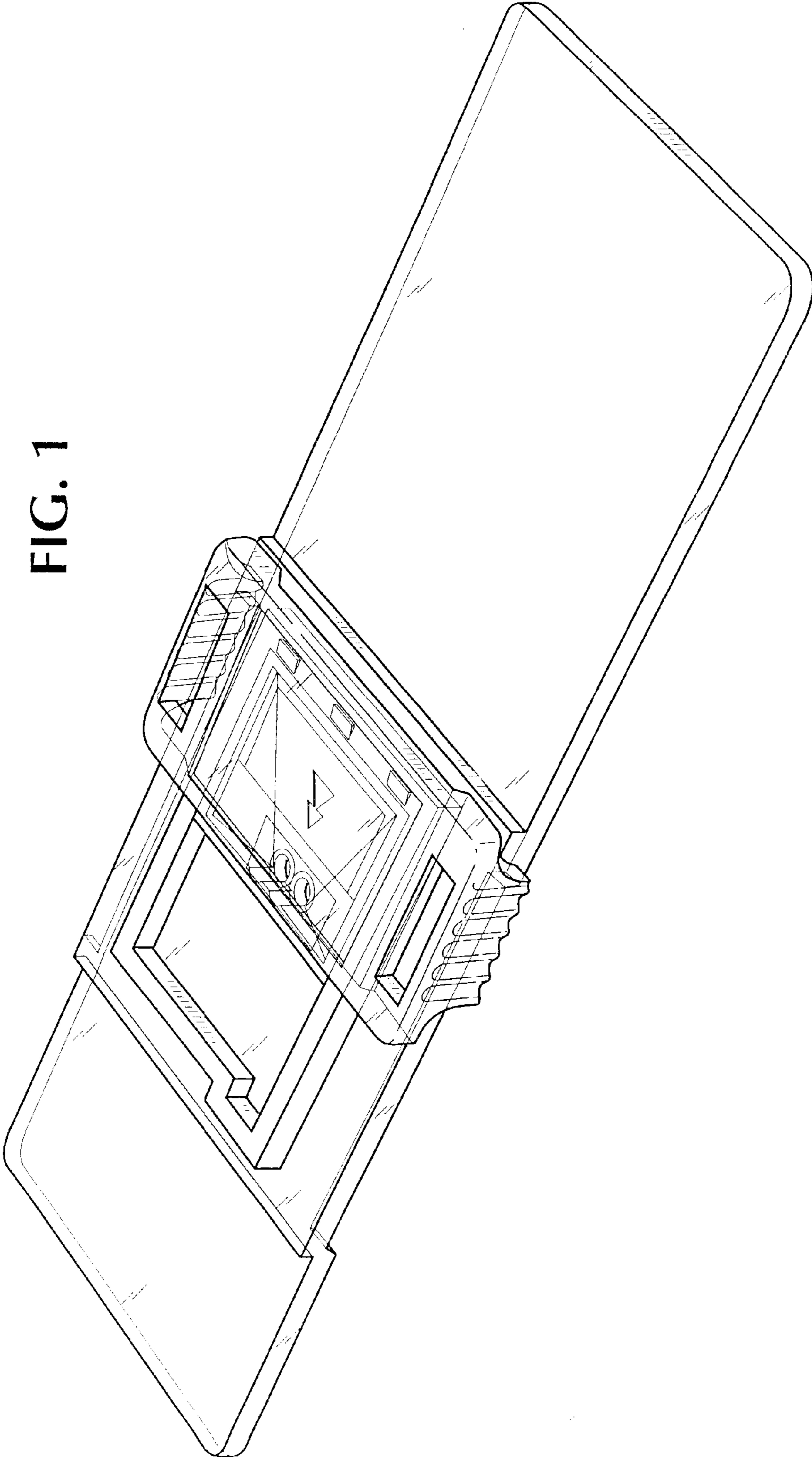


FIG. 2

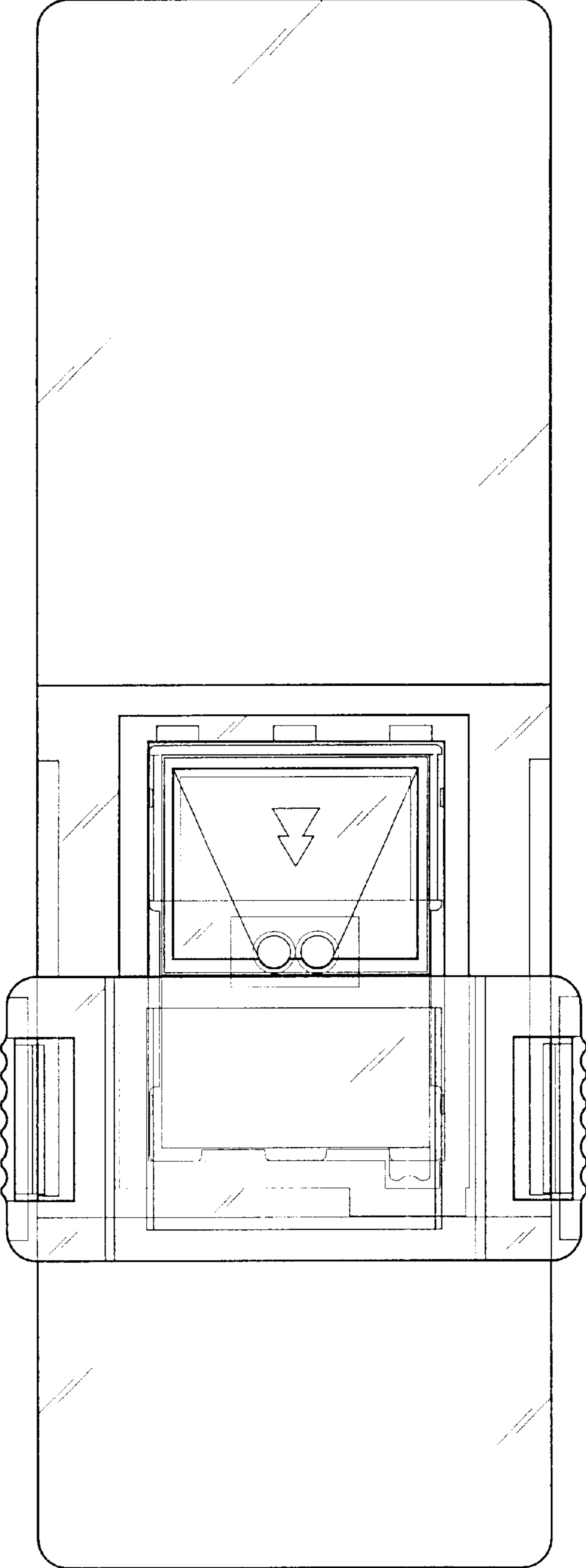


FIG. 3

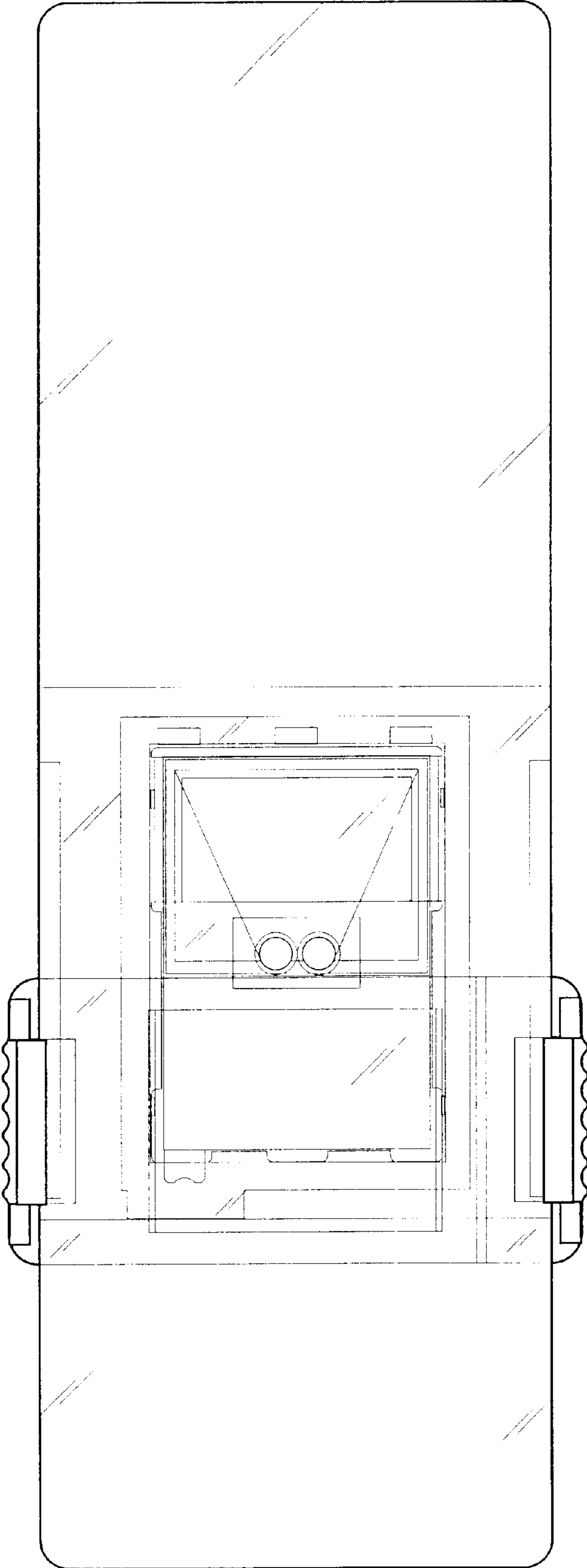


FIG. 4

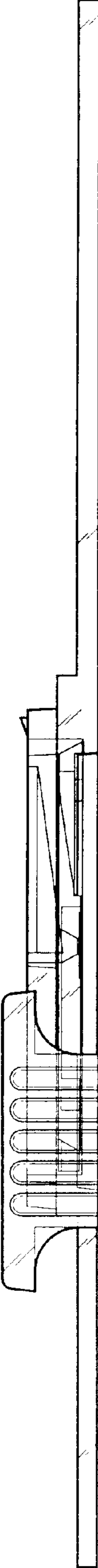


FIG. 6

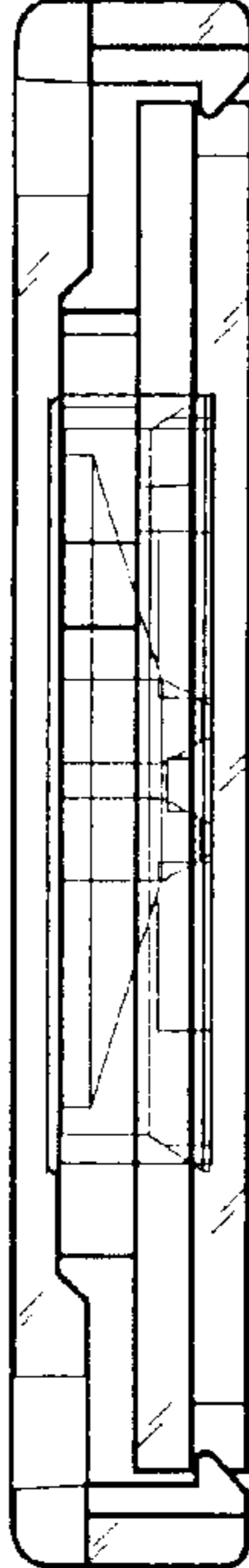


FIG. 5

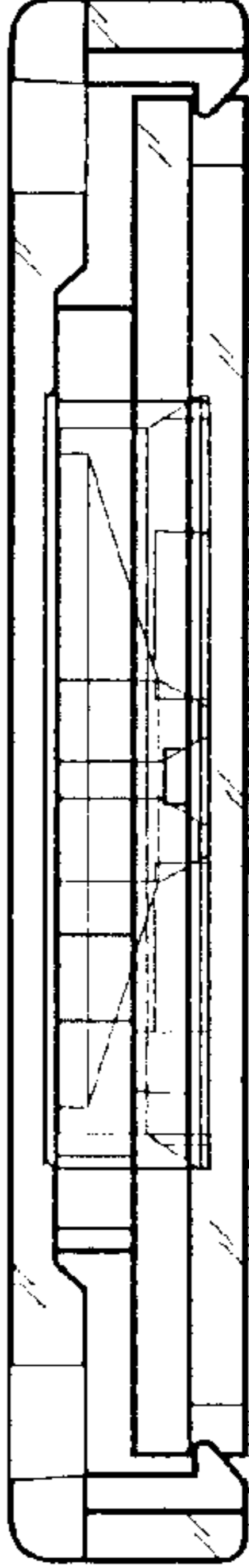


FIG. 7

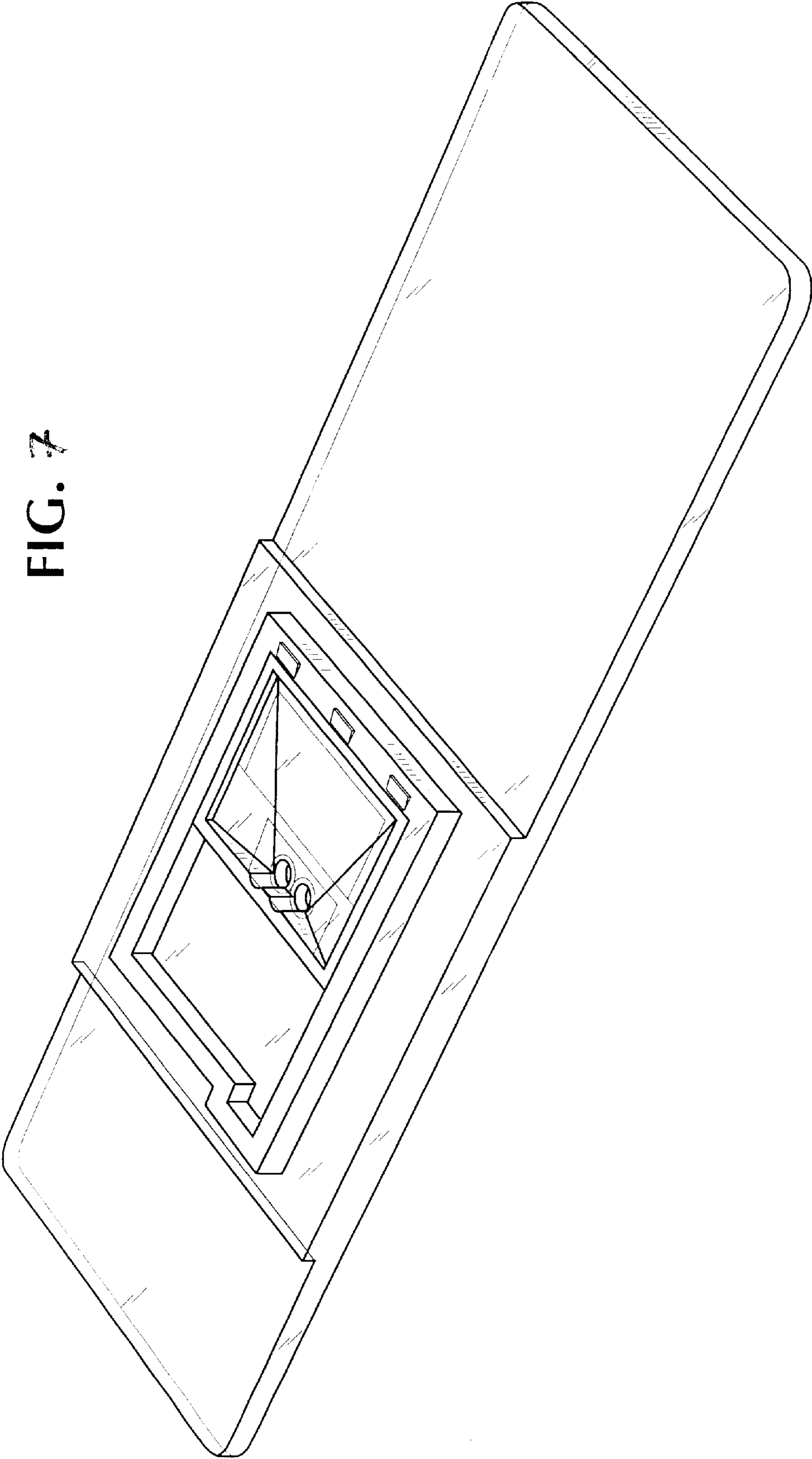


FIG. 8

