

US00D495799S1

(12) **United States Design Patent** (10) **Patent No.:** **US D495,799 S**
Hirsch et al. (45) **Date of Patent:** **** Sep. 7, 2004**

(54) **INTRAORAL DEVICE**

(75) Inventors: **James A. Hirsch**, Santa Barbara, CA (US); **Thomas R. Hirsch**, Malibu, CA (US)

(73) Assignee: **Innerlite, Inc.**, Santa Barbara, CA (US)

(**) Term: **14 Years**

(21) Appl. No.: **29/176,807**

(22) Filed: **Feb. 27, 2003**

(51) **LOC (7) Cl.** **24-02**

(52) **U.S. Cl.** **D24/152; D24/108; D24/112; D24/137**

(58) **Field of Search** **D24/152, 176, D24/108, 112, 137; 433/91, 93, 29, 140**

(56) **References Cited**

U.S. PATENT DOCUMENTS

1,122,086 A	12/1914	Dunlap	
3,049,806 A	* 8/1962	Cofresi	433/93
3,881,254 A	5/1975	Epsteen	
4,071,026 A	* 1/1978	Bevins	128/205.29
4,167,814 A	9/1979	Schubert	
4,259,067 A	3/1981	Nelson	
4,495,945 A	1/1985	Liegner	
4,592,344 A	6/1986	Scheer	
4,643,172 A	2/1987	Taff et al.	
4,802,851 A	2/1989	Rhoades	
4,865,545 A	9/1989	La Rocca	
4,975,057 A	12/1990	Dyfvermark	
4,992,046 A	2/1991	Sharp	
4,996,976 A	3/1991	Nakagawa	
5,009,595 A	4/1991	Osborn	

5,071,347 A	12/1991	McGuire	
5,078,602 A	1/1992	Honoshoesky	
5,152,686 A	10/1992	Duggan et al.	
5,232,362 A	8/1993	Kanas	
5,281,134 A	1/1994	Schultz	
5,462,435 A	10/1995	Young	
5,513,986 A	* 5/1996	Feltham et al.	433/91
5,588,836 A	12/1996	Landis et al.	
5,762,496 A	6/1998	Albertsson et al.	
5,769,635 A	6/1998	Eldreth	
5,873,718 A	2/1999	Sullivan	
6,022,214 A	2/2000	Hirsch et al.	
6,338,627 B2	* 1/2002	Hirsch et al.	433/93
2003/0143512 A1	* 7/2003	Hirsch et al.	433/93

* cited by examiner

Primary Examiner—Stella Reid

(74) *Attorney, Agent, or Firm*—Stephen C. Beuerle; Procopio Cory Hargreaves & Savitch LLP

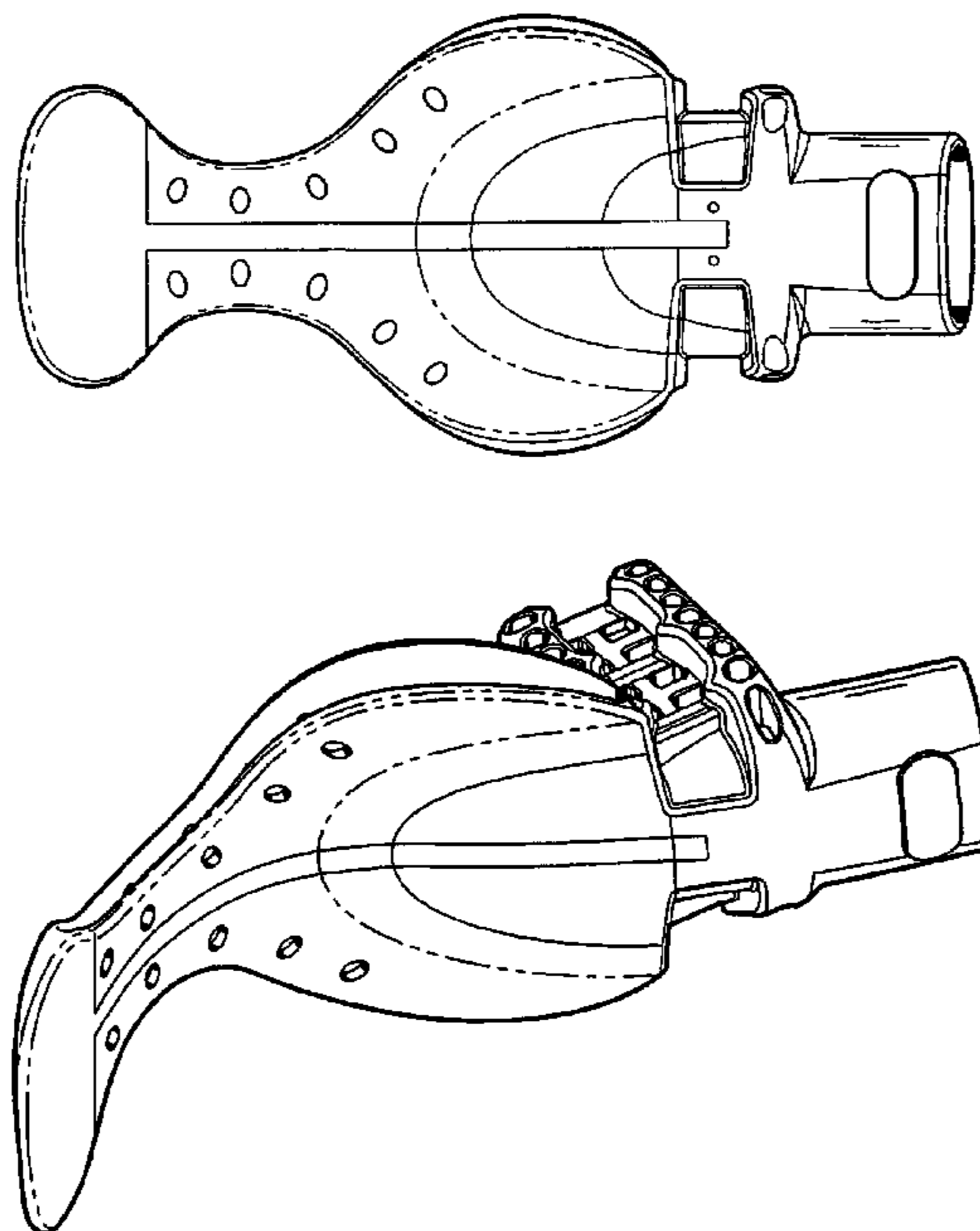
(57) **CLAIM**

The ornamental design for an intraoral device, as shown and described.

DESCRIPTION

FIG. 1 is a front elevational view of the intraoral device, showing our new design;
 FIG. 2 is a bottom plan view thereof with the top plan view being a mirror image thereof;
 FIG. 3 is a right side elevational view thereof;
 FIG. 4 is a left side elevational view thereof;
 FIG. 5 is a rear elevational view thereof;
 FIG. 6 is a front perspective view thereof; and,
 FIG. 7 is a rear perspective view thereof.

1 Claim, 3 Drawing Sheets



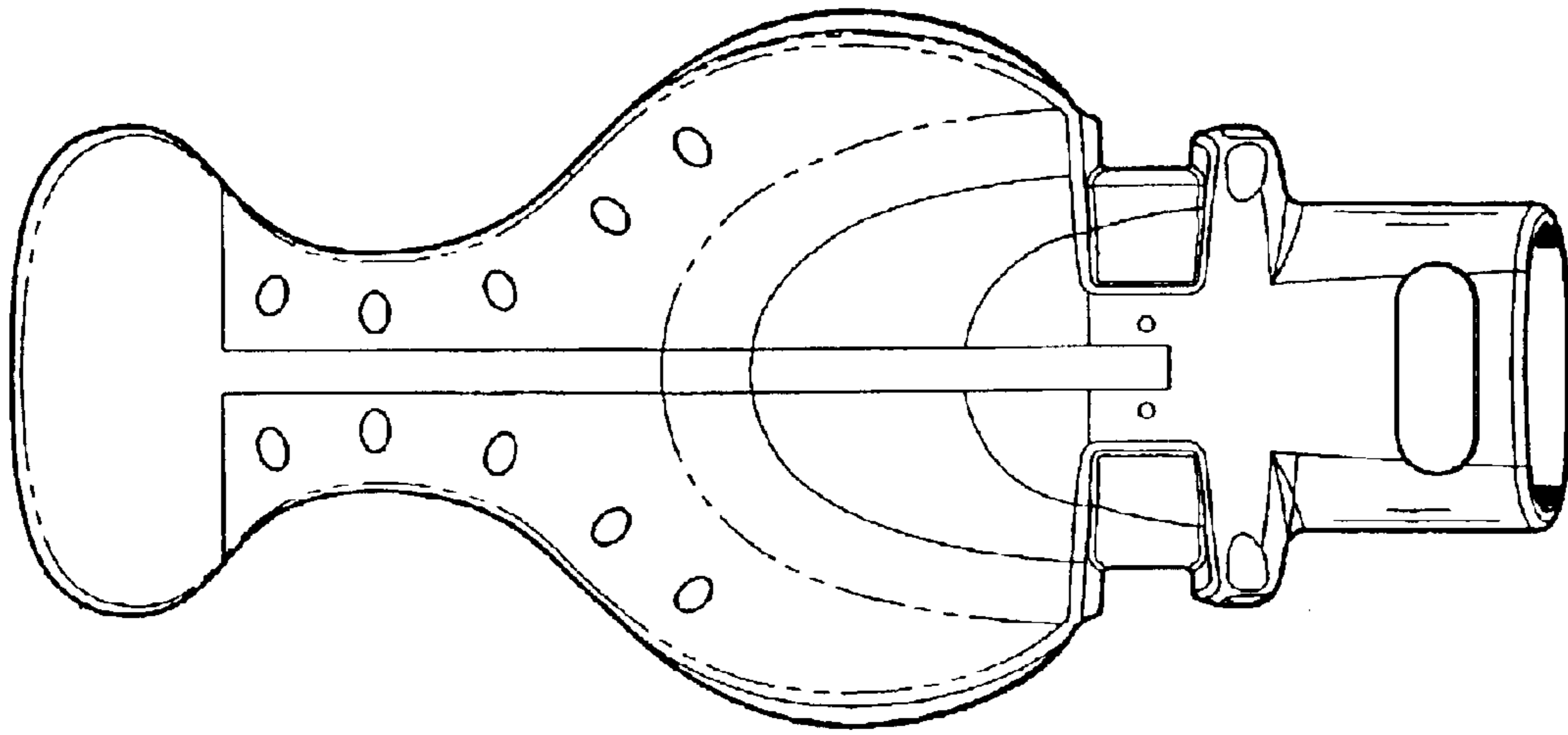


FIG. 1

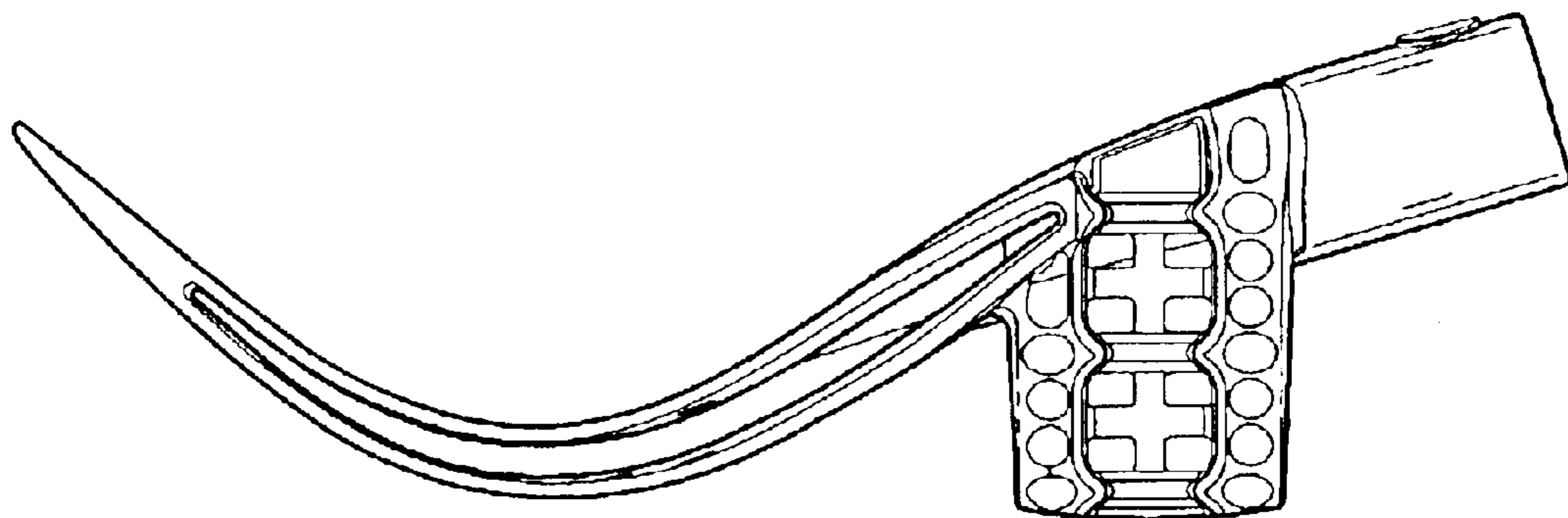


FIG. 2

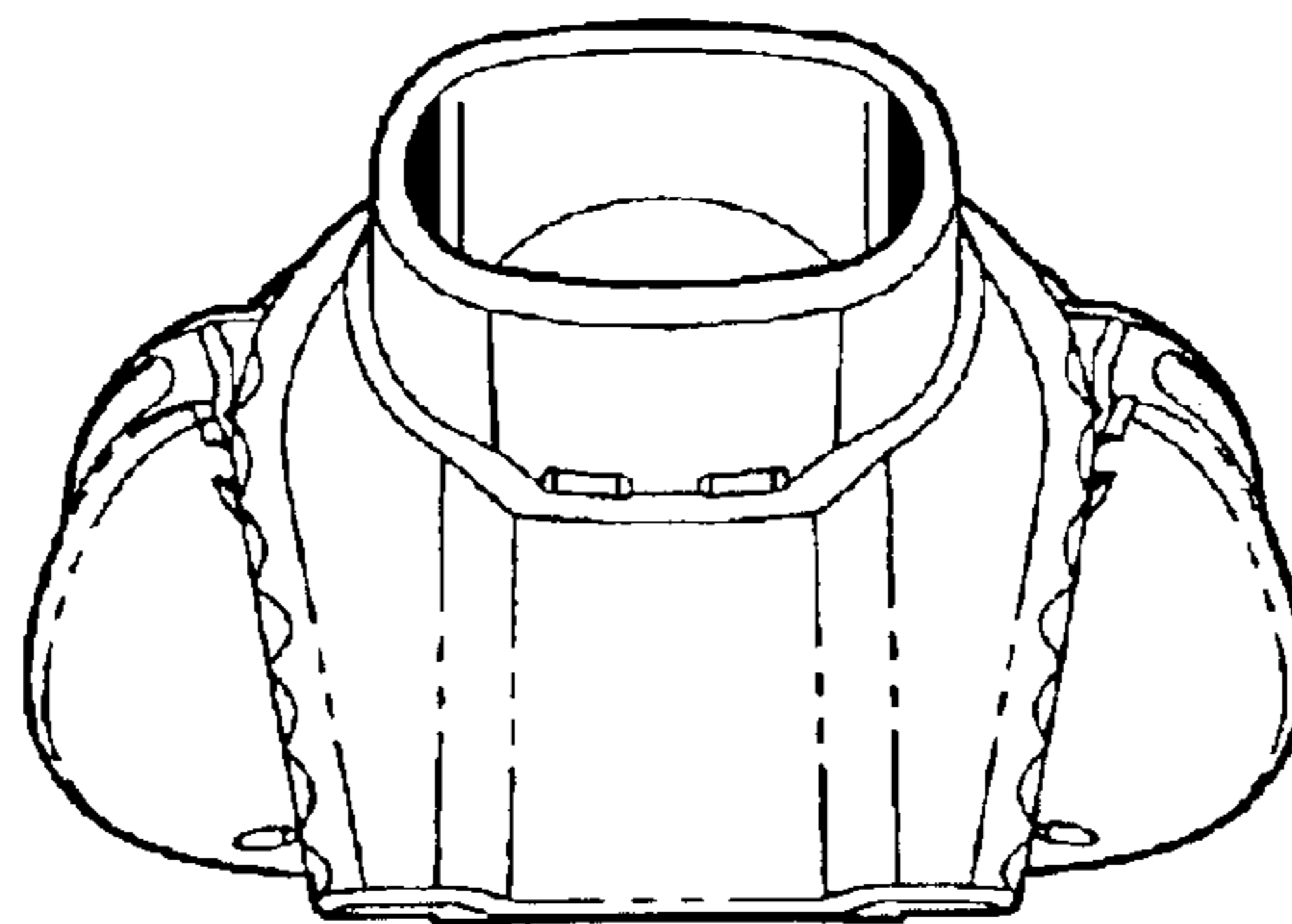


FIG. 3

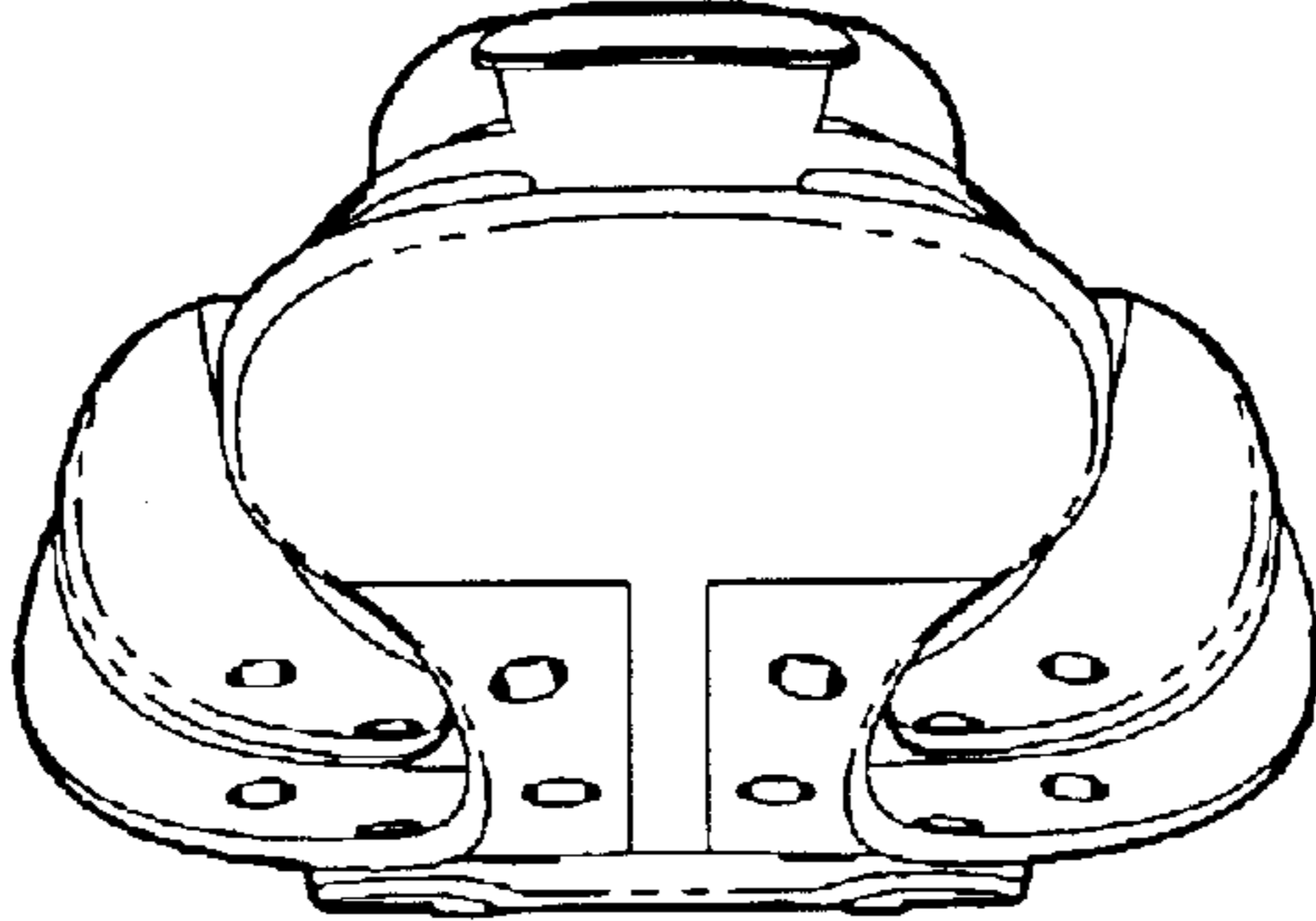


FIG. 4

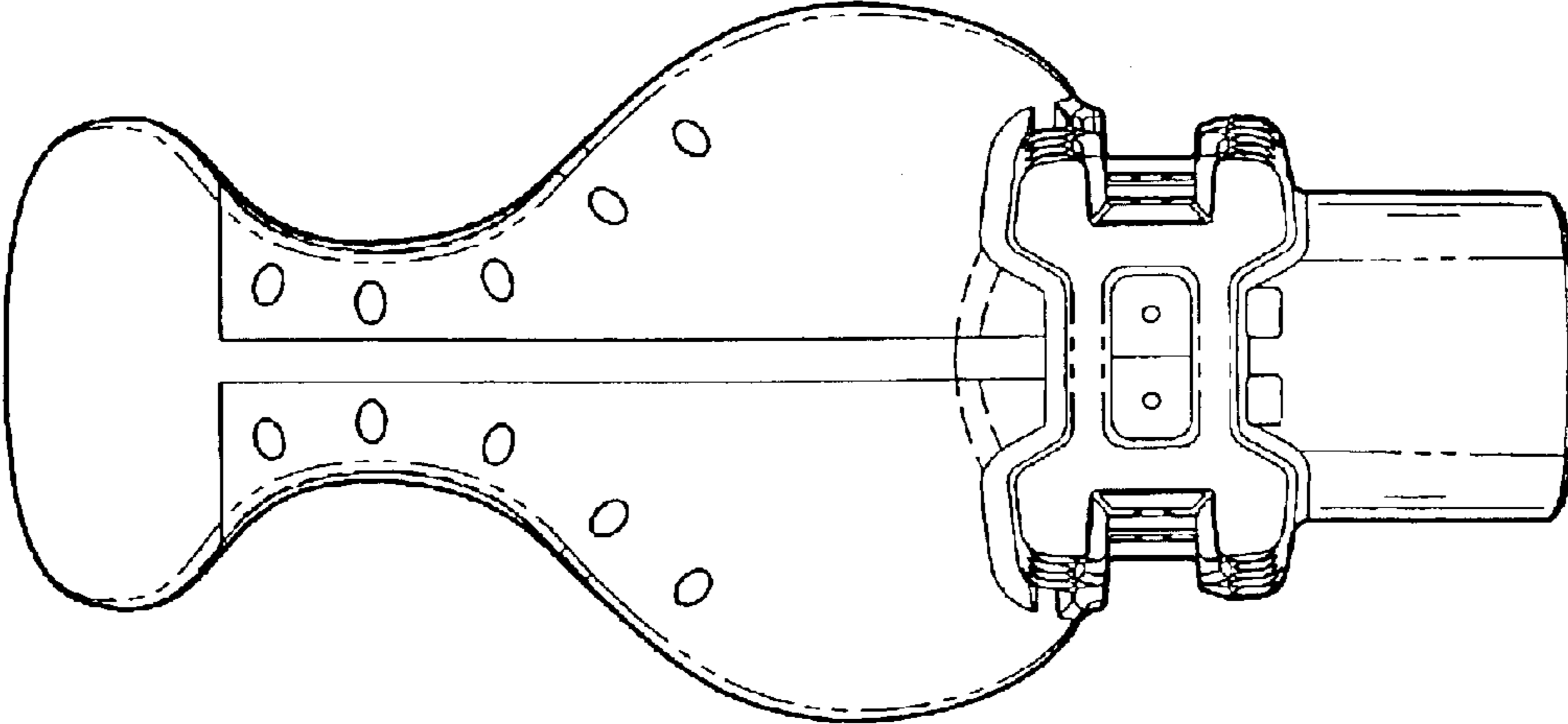


FIG. 5

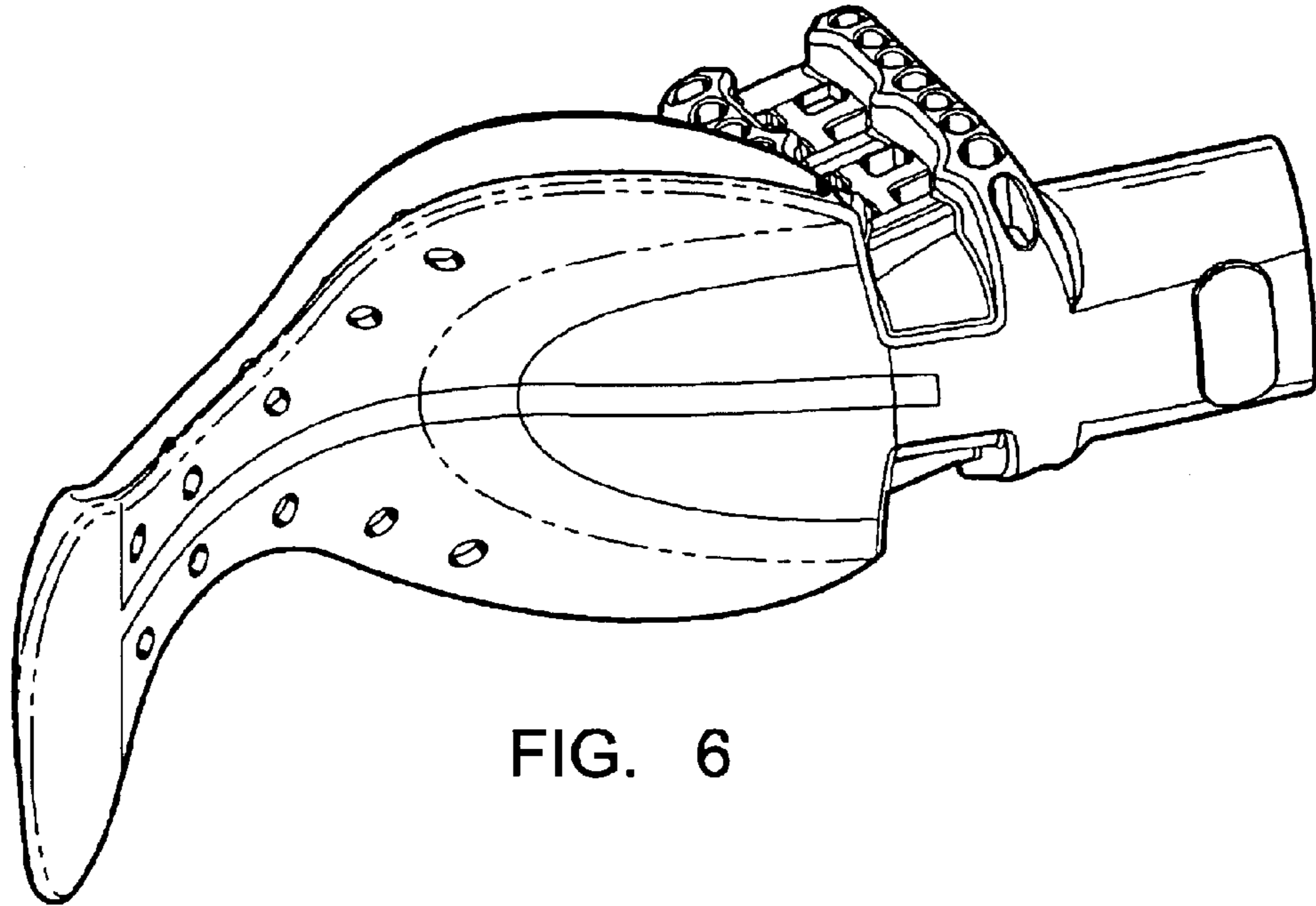


FIG. 6

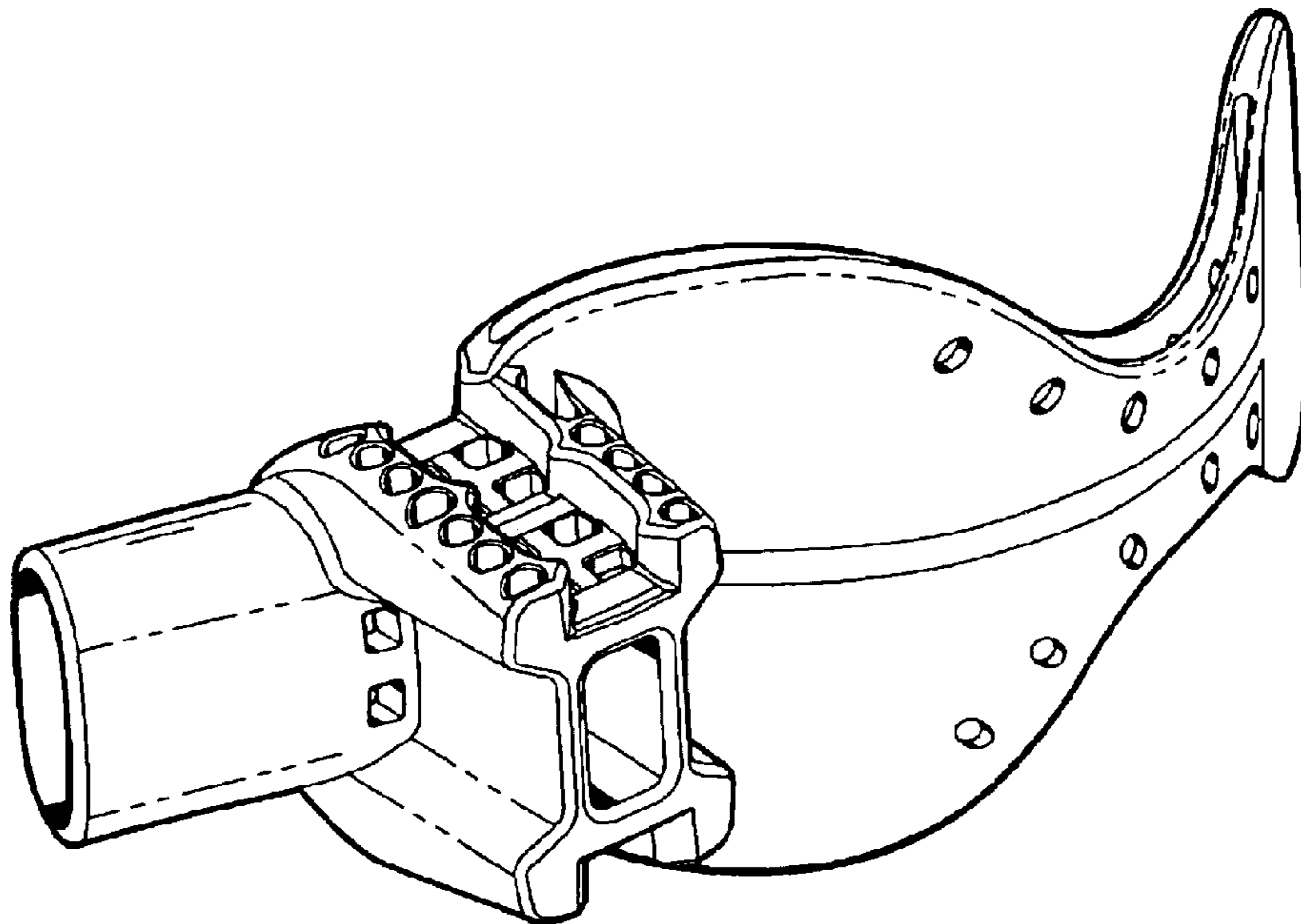


FIG. 7