

US00D495797S1

(12) **United States Design Patent**
Guney et al.

(10) **Patent No.:** **US D495,797 S**

(45) **Date of Patent:** **** Sep. 7, 2004**

(54) **BAFFLE PORTION FOR FRAME OF MASK ASSEMBLY**

(75) Inventors: **Memduh Guney**, Killara (AU); **Perry D. Lithgow**, Glenwood (AU); **Timothy Tsun-Fai Fu**, Carlingford (AU); **Jim Saada**, Kellyville (AU)

(73) Assignee: **ResMed Limited**, North Ryde (AU)

(**) Term: **14 Years**

(21) Appl. No.: **29/194,364**

(22) Filed: **Nov. 24, 2003**

Related U.S. Application Data

(62) Division of application No. 29/170,559, filed on Nov. 8, 2002, now Pat. No. Des. 486,907.

(51) **LOC (7) Cl.** **29-02**

(52) **U.S. Cl.** **D24/110.1; D24/110.5; D24/110.6**

(58) **Field of Search** **D24/110.1, 110.4, D24/110.5, 129, 110.6; 128/206.12, 205.25, 206.15, 206.17, 207.12, 207.16**

(56) **References Cited**

U.S. PATENT DOCUMENTS

3,521,630 A * 7/1970 Westberg et al. 128/206.15

5,062,421 A	*	11/1991	Burns et al.	128/206.17
D322,318 S		12/1991	Sullivan	
5,224,474 A	*	7/1993	Bloomfield	128/206.17
D378,610 S	*	3/1997	Reischel et al.	D24/110.1
D382,341 S	*	8/1997	Freund	D24/110.1
D443,355 S		6/2001	Gunaratnam et al.	
6,374,826 B1		4/2002	Gunaratnam et al.	
D457,622 S		5/2002	Kopacko et al.	
D459,800 S		7/2002	Smart	
D464,427 S		10/2002	Smart	
D468,421 S		1/2003	Smart	

* cited by examiner

Primary Examiner—Ian Simmons

(74) *Attorney, Agent, or Firm*—Nixon & Vanderhye P.C.

(57) **CLAIM**

The ornamental design for a baffle portion for frame of mask assembly, as shown and described.

DESCRIPTION

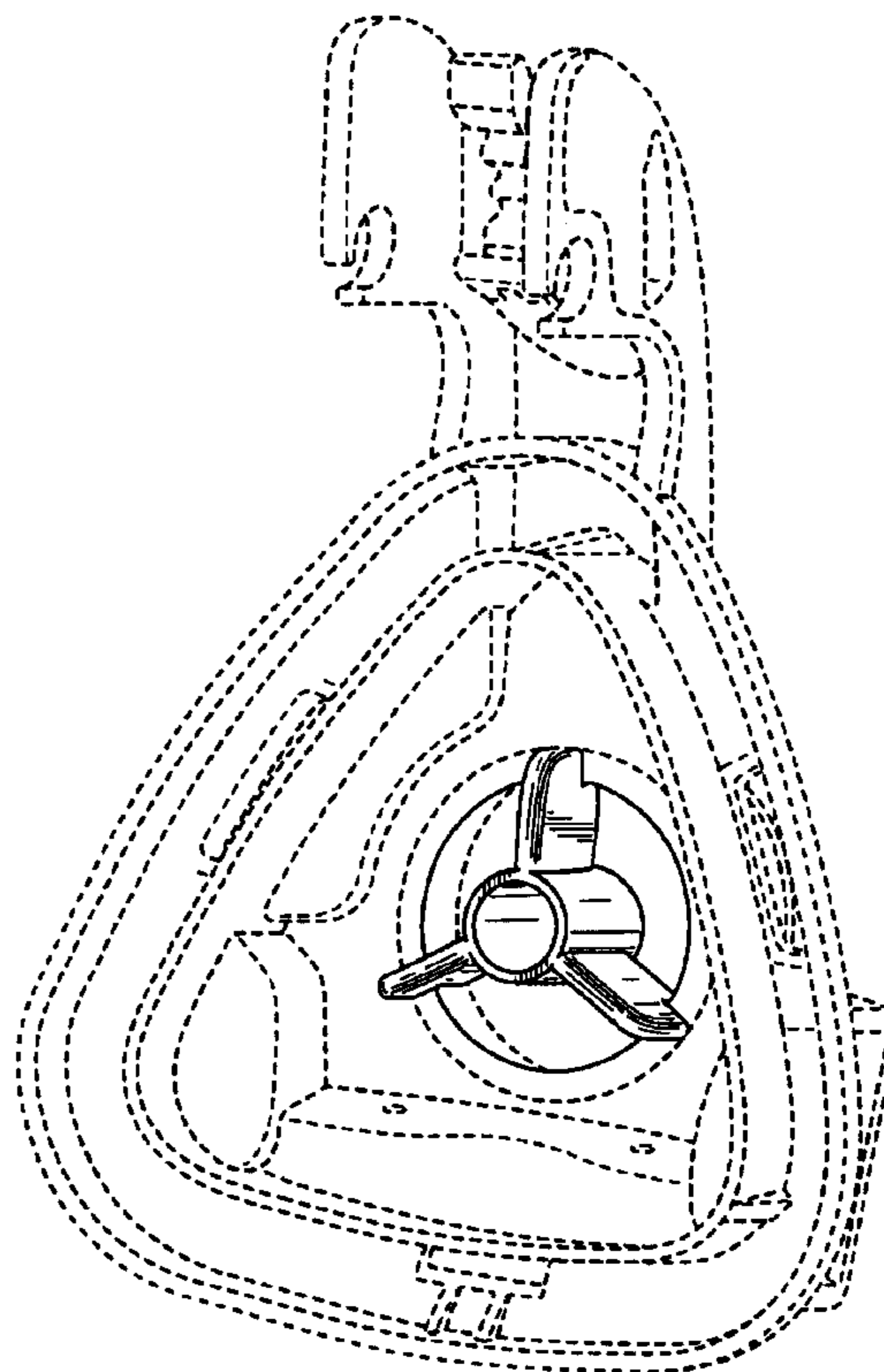
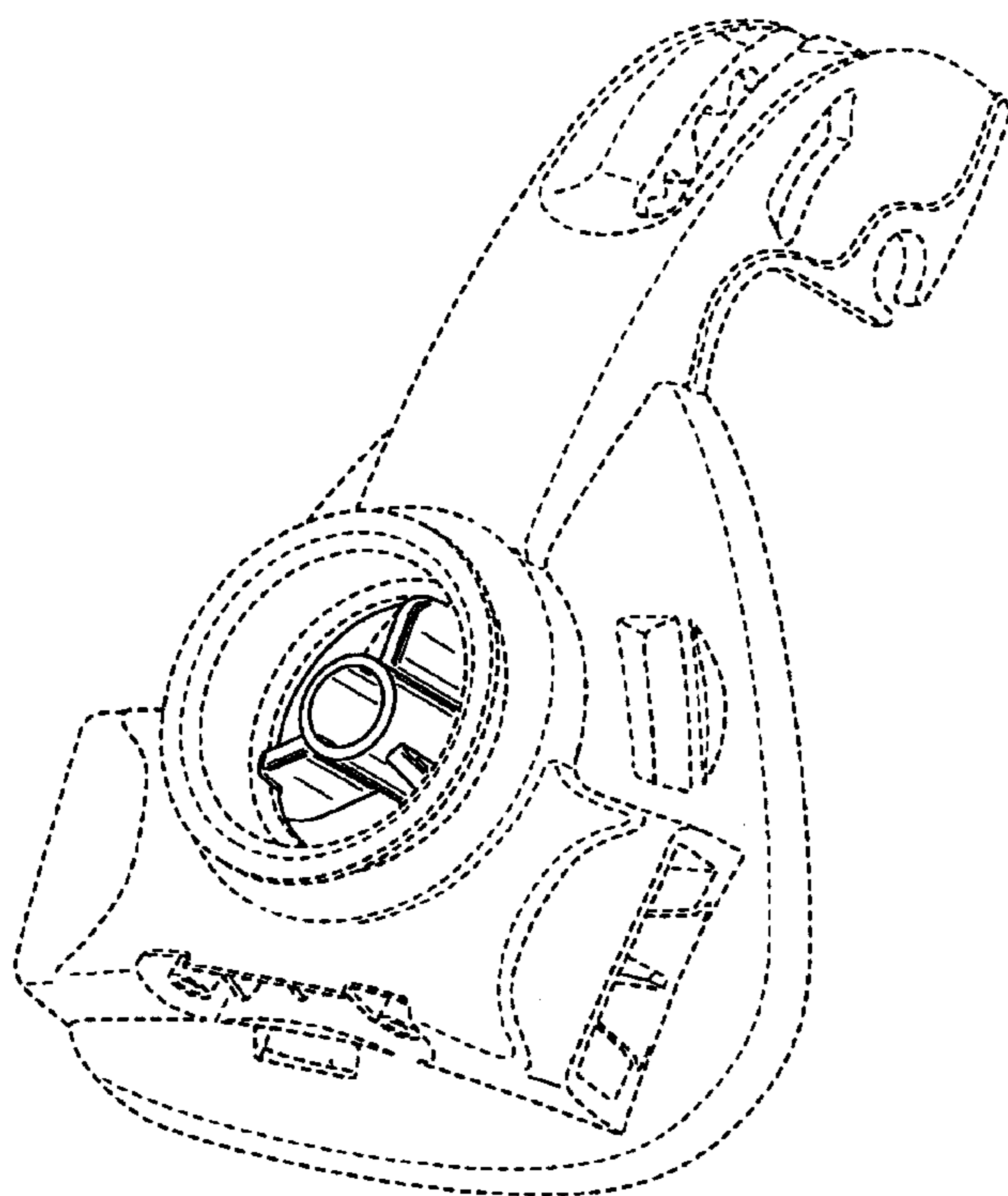
FIG. 1 is a front perspective view of a baffle portion for frame of mask assembly showing our new design. The broken line showing is for illustrative purposes only and forms no part of the claimed design.

FIG. 2 is a rear perspective view thereof;

FIG. 3 is a front elevational view thereof; and,

FIG. 4 is a rear elevational view thereof.

1 Claim, 4 Drawing Sheets



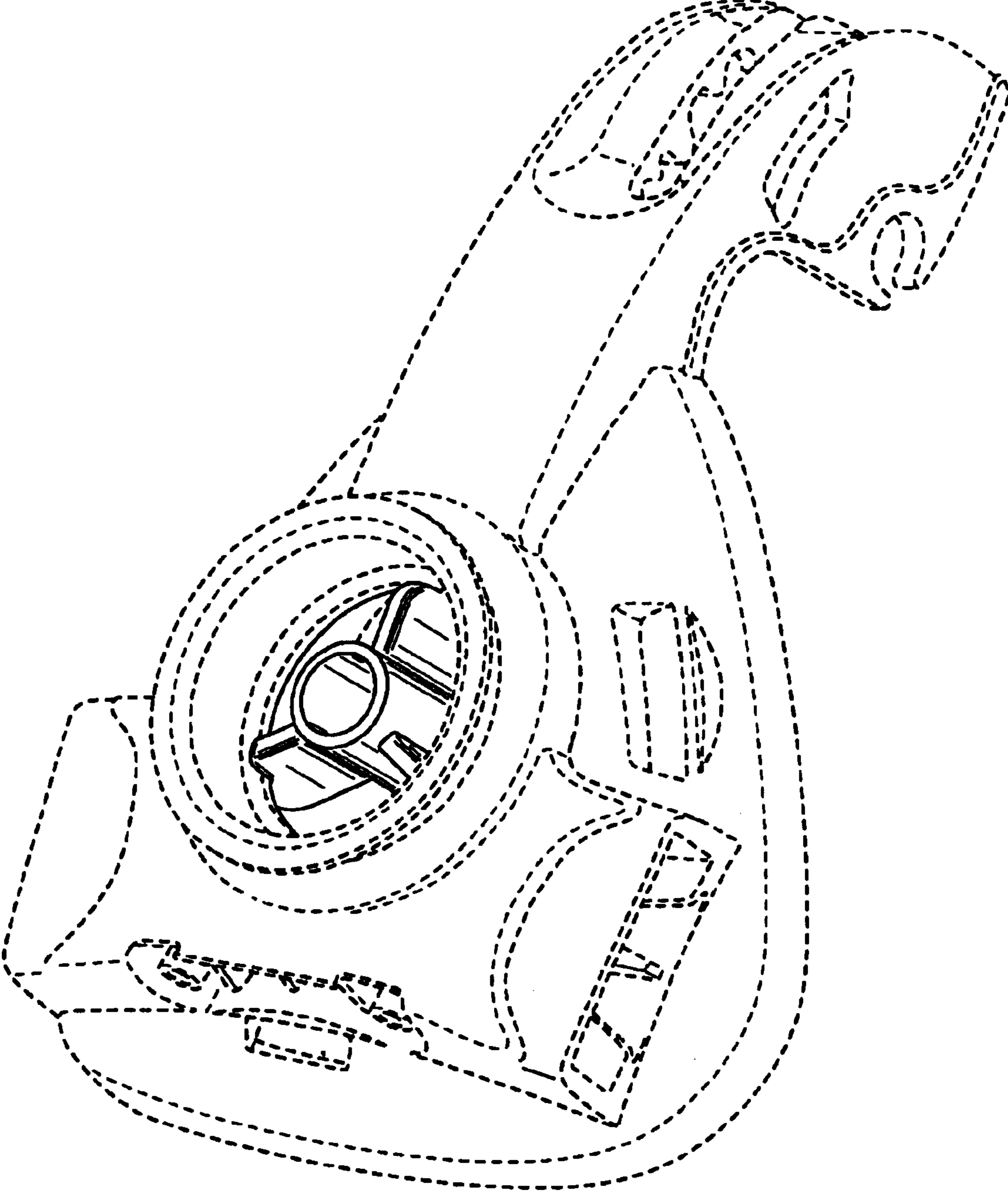


FIG. 1

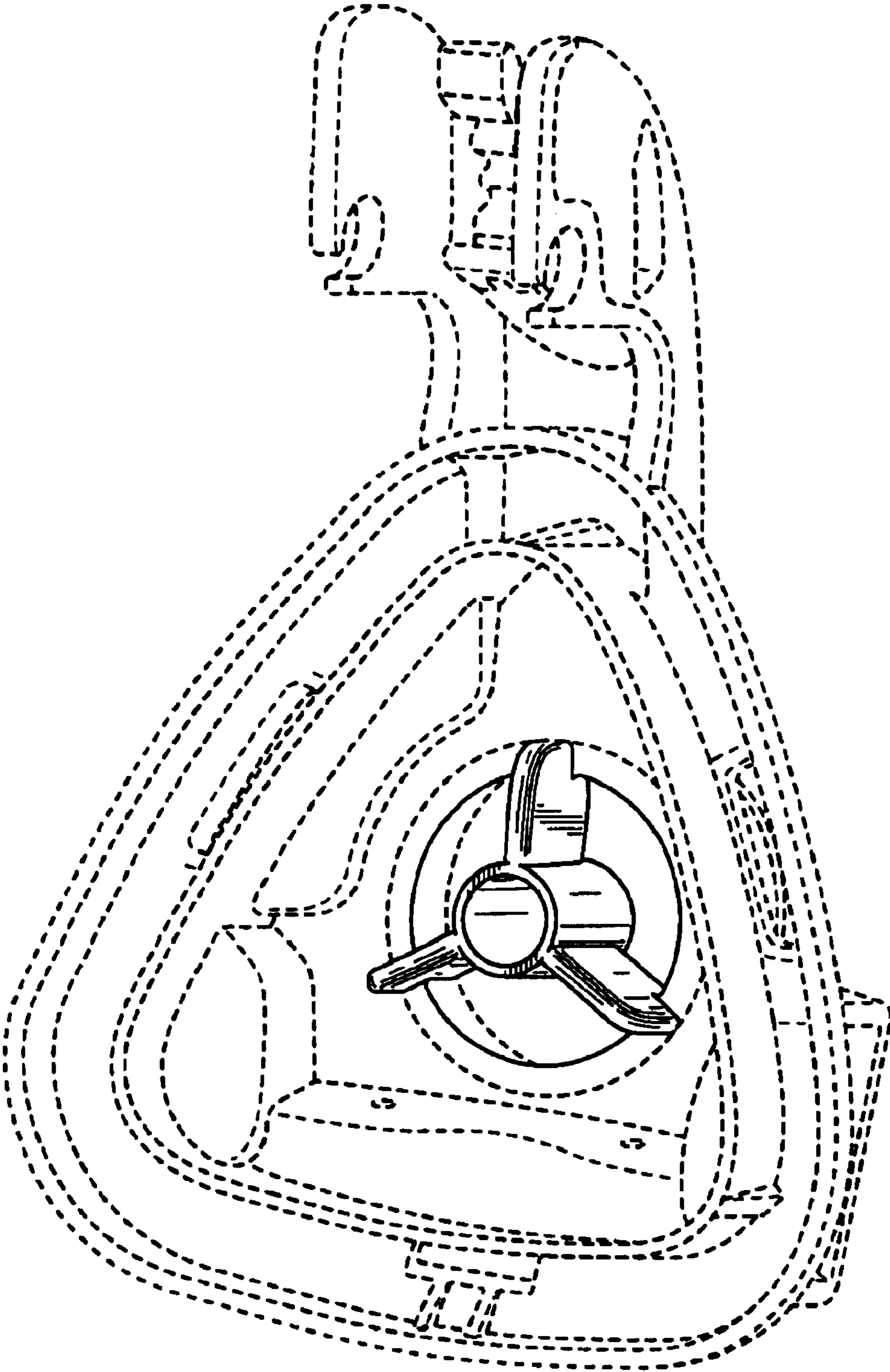


FIG. 2

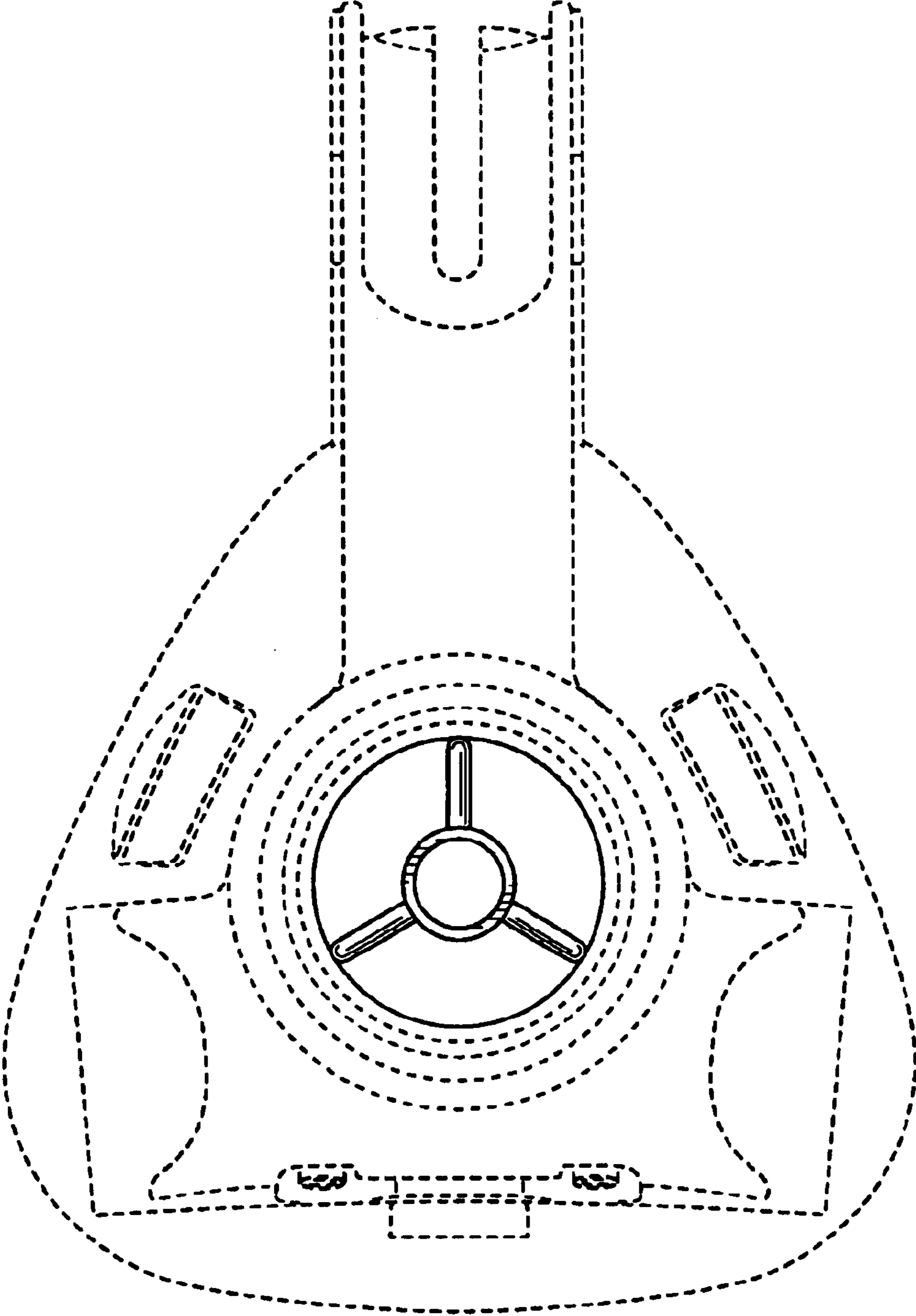


FIG. 3

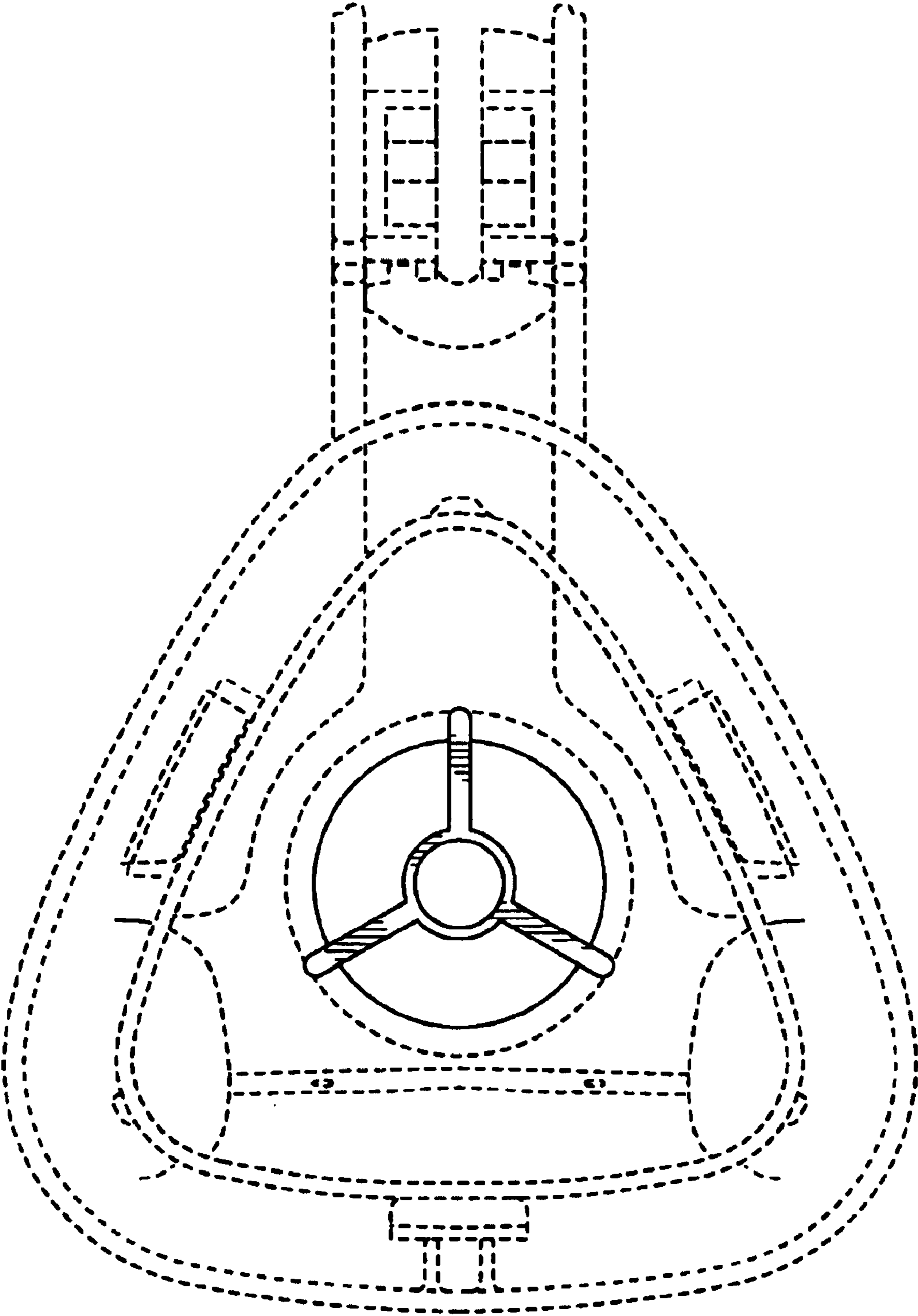


FIG. 4