

US00D495794S1

(12) **United States Design Patent**
Yamanaka et al.

(10) **Patent No.: US D495,794 S**
(45) **Date of Patent: ** Sep. 7, 2004**

(54) **BIDET TOILET SEAT UNIT**

JP D1128478 12/2001

(75) Inventors: **Takashi Yamanaka**, Chita (JP);
Hisaaki Minezawa, Nagoya (JP);
Hidehiro Nakashima, Tokoname (JP);
Takashi Honda, Nagoya (JP)

OTHER PUBLICATIONS

Toto bidet attachment seat item No. CS80B190 NG2, p. 102,
Sep. 1999.*

* cited by examiner

(73) Assignees: **Aisin Seiki Kabushiki Kaisha**, Kariya
(JP); **Inax Corporation**, Tokoname (JP)

Primary Examiner—Louis S. Zarfes

Assistant Examiner—Robert A Delehanty

(**) Term: **14 Years**

(74) *Attorney, Agent, or Firm*—Burns, Doane, Swecker &
Mathis, LLP

(21) Appl. No.: **29/181,746**

(22) Filed: **May 16, 2003**

(57) **CLAIM**

(30) **Foreign Application Priority Data**

The ornamental design for bidet toilet seat unit, as shown
and described.

Nov. 19, 2002 (JP) 2002-031904

DESCRIPTION

(51) **LOC (7) Cl.** **23-02**

(52) **U.S. Cl.** **D23/311**

(58) **Field of Search** D23/273-274,
D23/395-301, 303, 309, 311-312; 4/663-665,
300, 420, 443-446, 234, 237-239

FIG. 1 is a front view showing a bidet toilet seat unit
according to the present invention;

FIG. 2 is a rear view of the bidet toilet seat unit of FIG. 1;
FIG. 3 is a top plan view showing the bidet toilet seat unit
of FIG. 1;

(56) **References Cited**

U.S. PATENT DOCUMENTS

- 4,598,431 A * 7/1986 Nagai et al. 4/443
- 4,616,368 A * 10/1986 Nagai et al. 4/443
- 4,962,550 A * 10/1990 Ikenaga et al. 4/420
- 5,184,359 A * 2/1993 Tsukamura et al. 4/420
- 5,735,798 A * 4/1998 Shinohara et al. 4/420
- D422,063 S * 3/2000 Moon D23/295
- 6,105,178 A * 8/2000 Kurisaki et al. 4/443
- D463,853 S * 10/2002 Yamanaka et al. D23/311

FIG. 4 is a bottom plan view showing the bidet toilet seat
unit of FIG. 1;

FIG. 5 is a right side view showing the bidet toilet seat unit
of FIG. 1;

FIG. 6 is a left side view showing the bidet toilet seat unit
of FIG. 1;

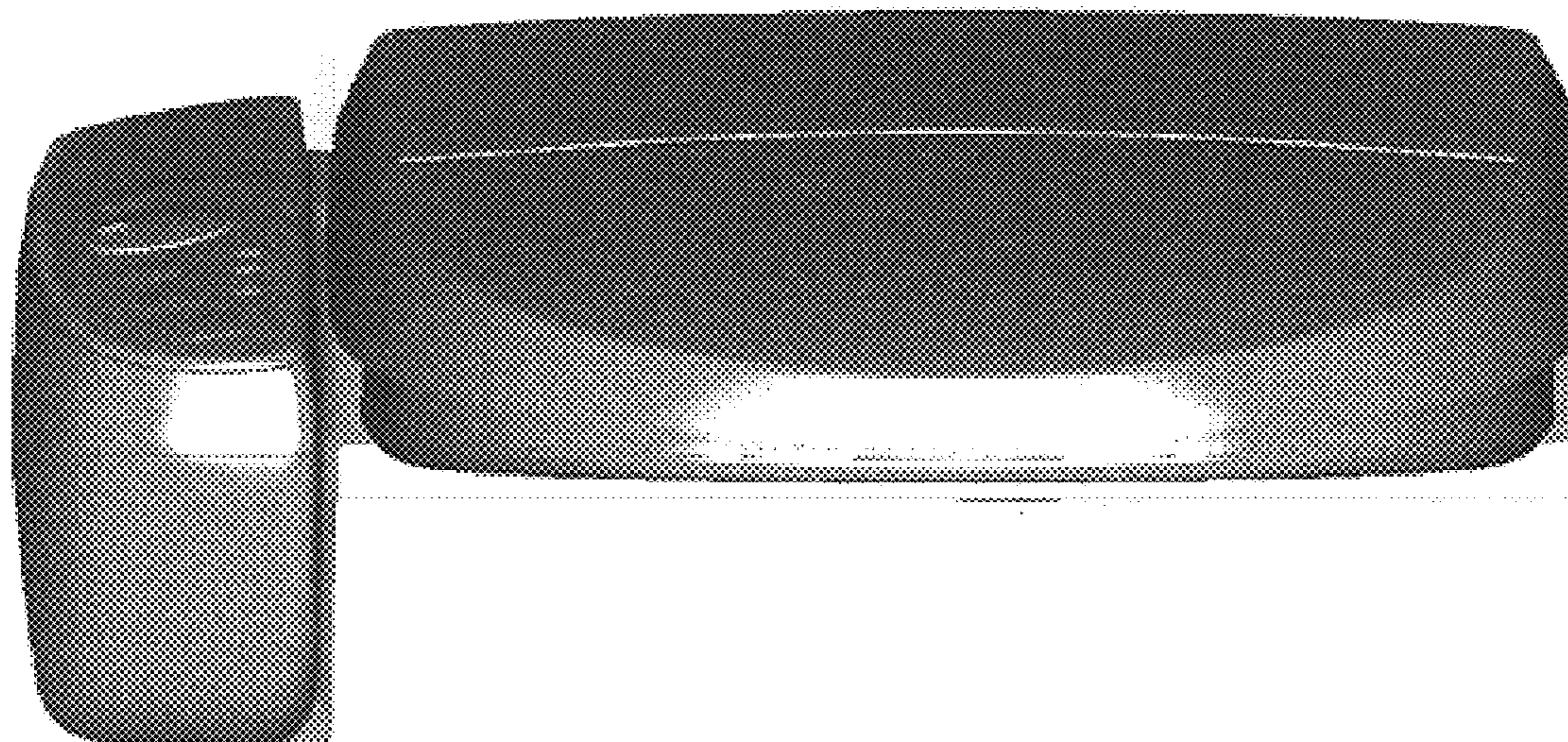
FOREIGN PATENT DOCUMENTS

JP 849263 2/1994

FIG. 7 is a perspective view showing the bidet toilet seat unit
of FIG. 1; and,

FIG. 8 is a perspective view showing the bidet toilet seat unit
of FIG. 1, in which the lid is open.

1 Claim, 6 Drawing Sheets



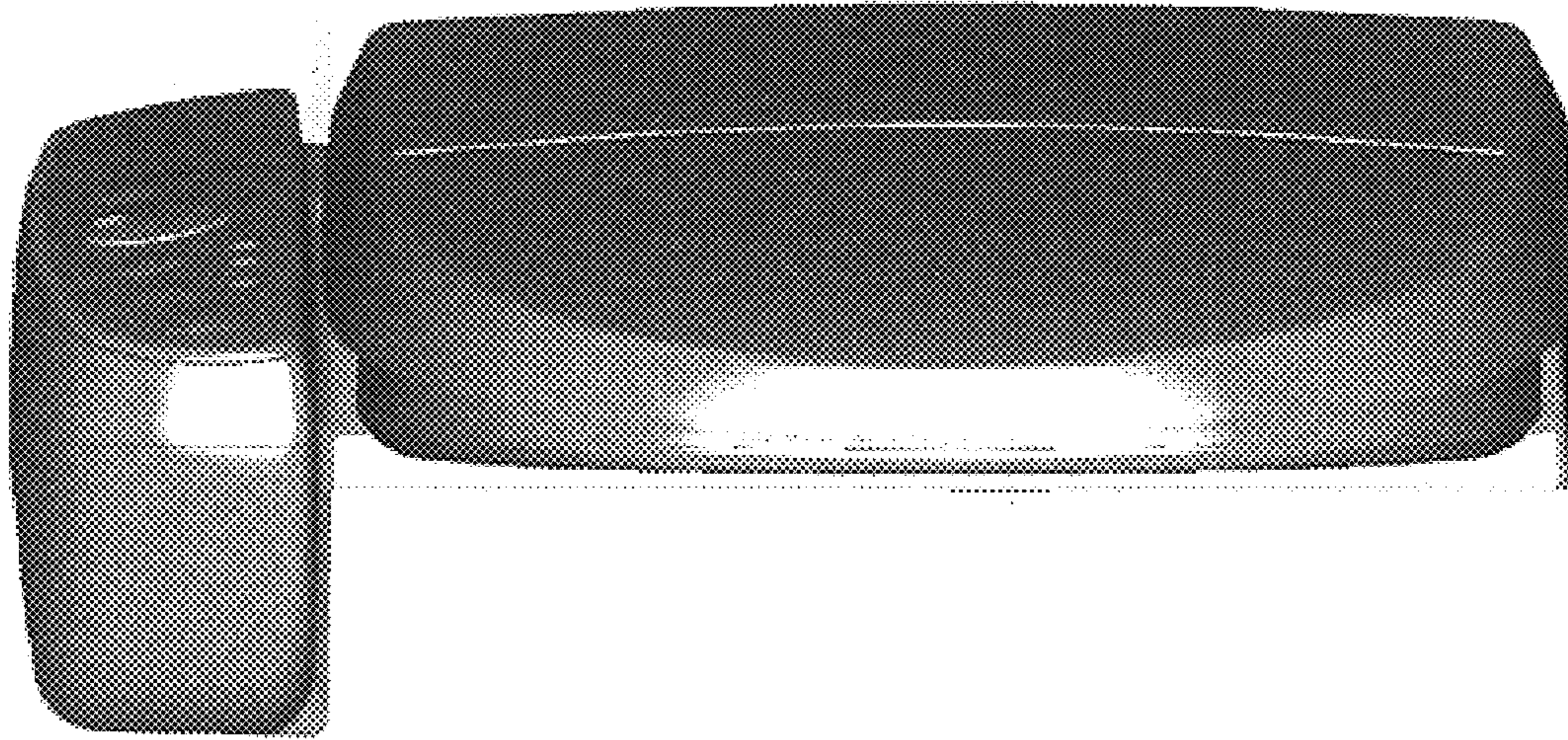


FIG. 1

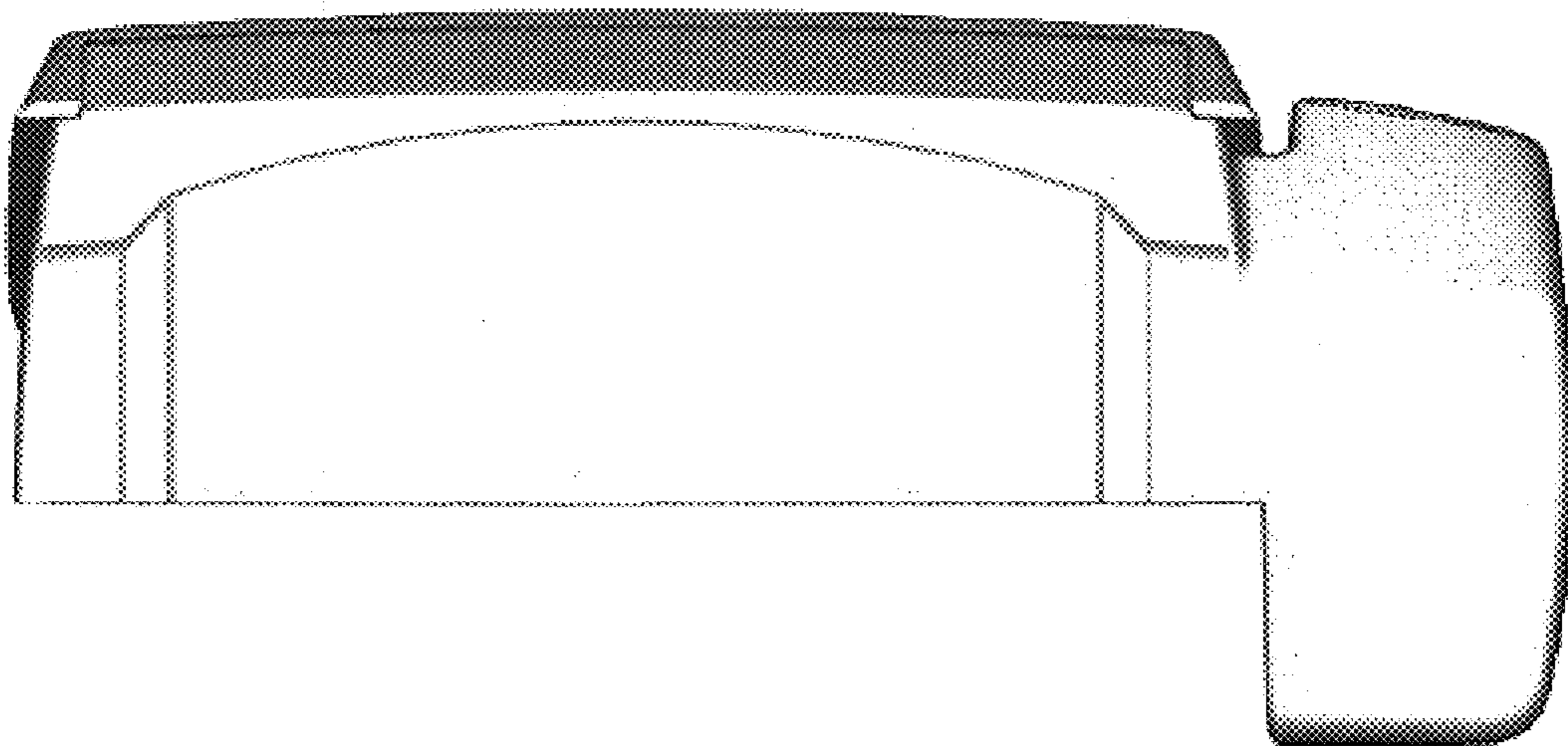
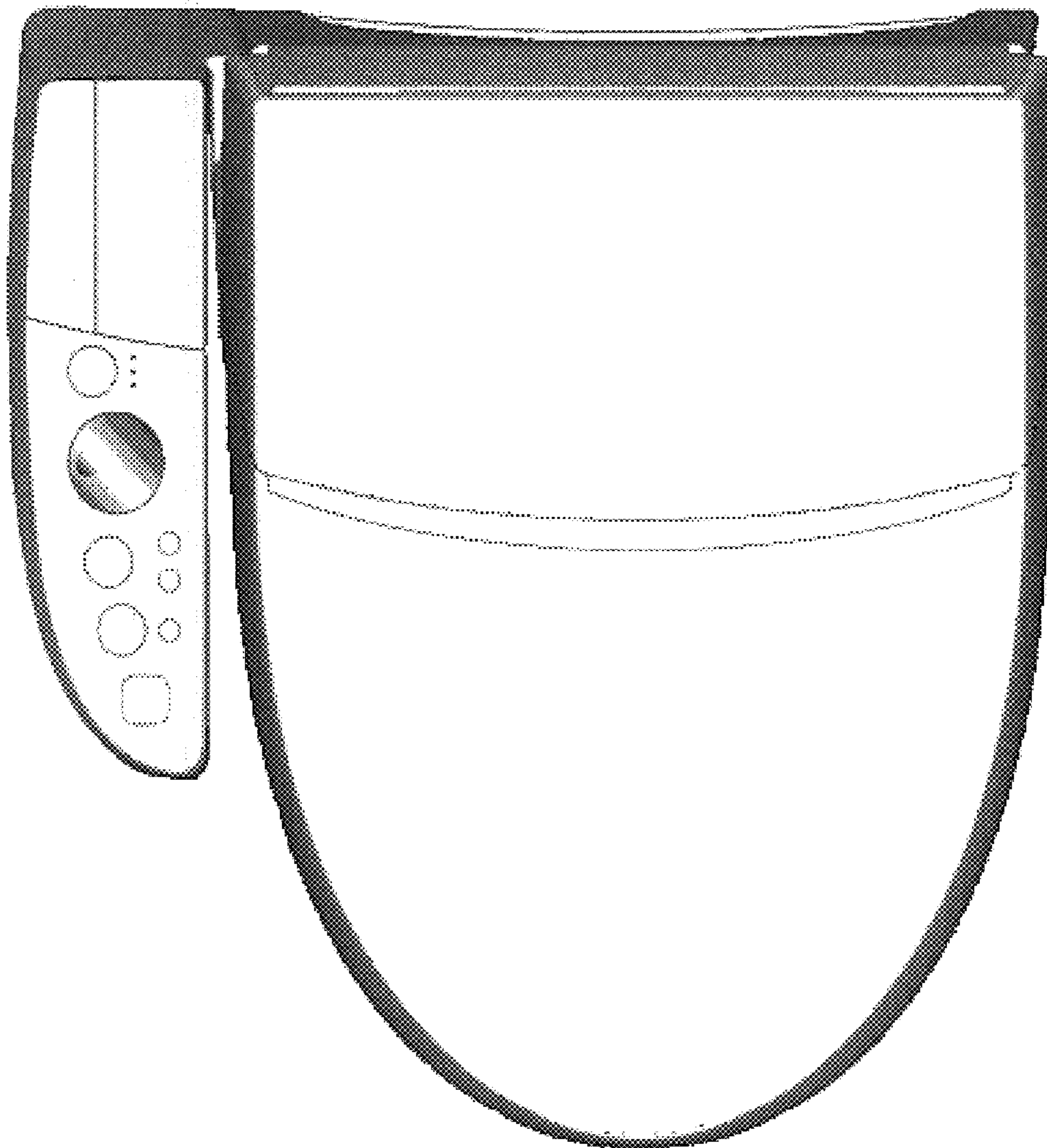


FIG. 2

FIG. 3



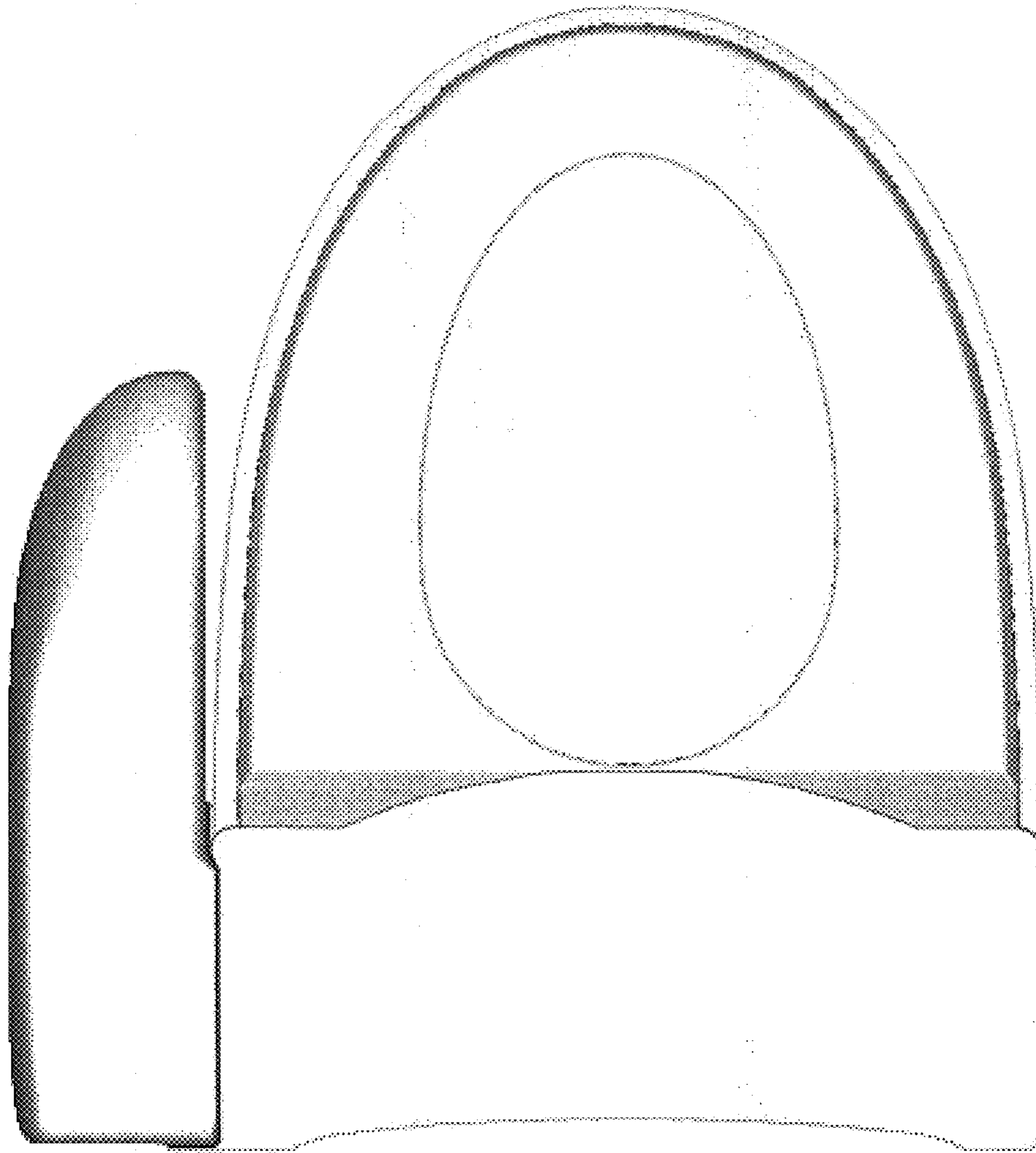


FIG. 4

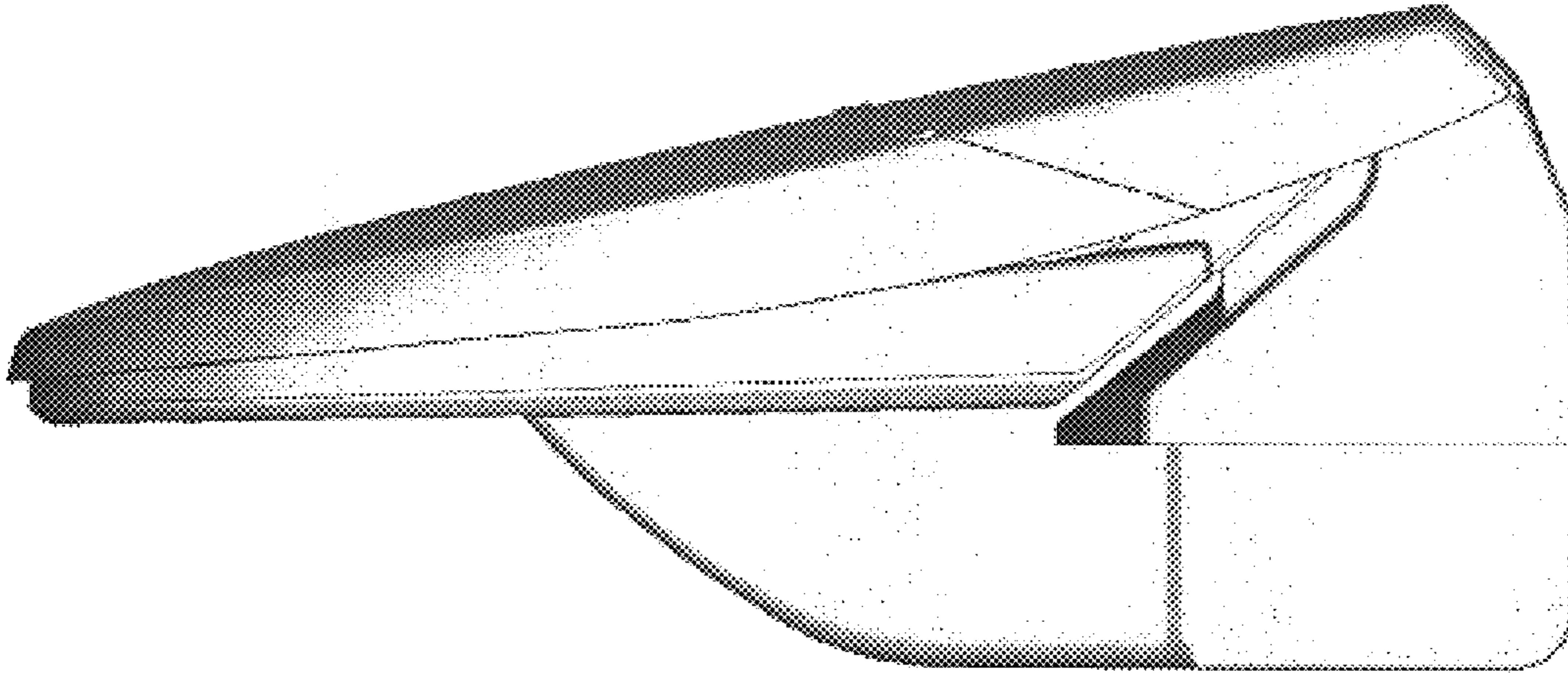


FIG. 5

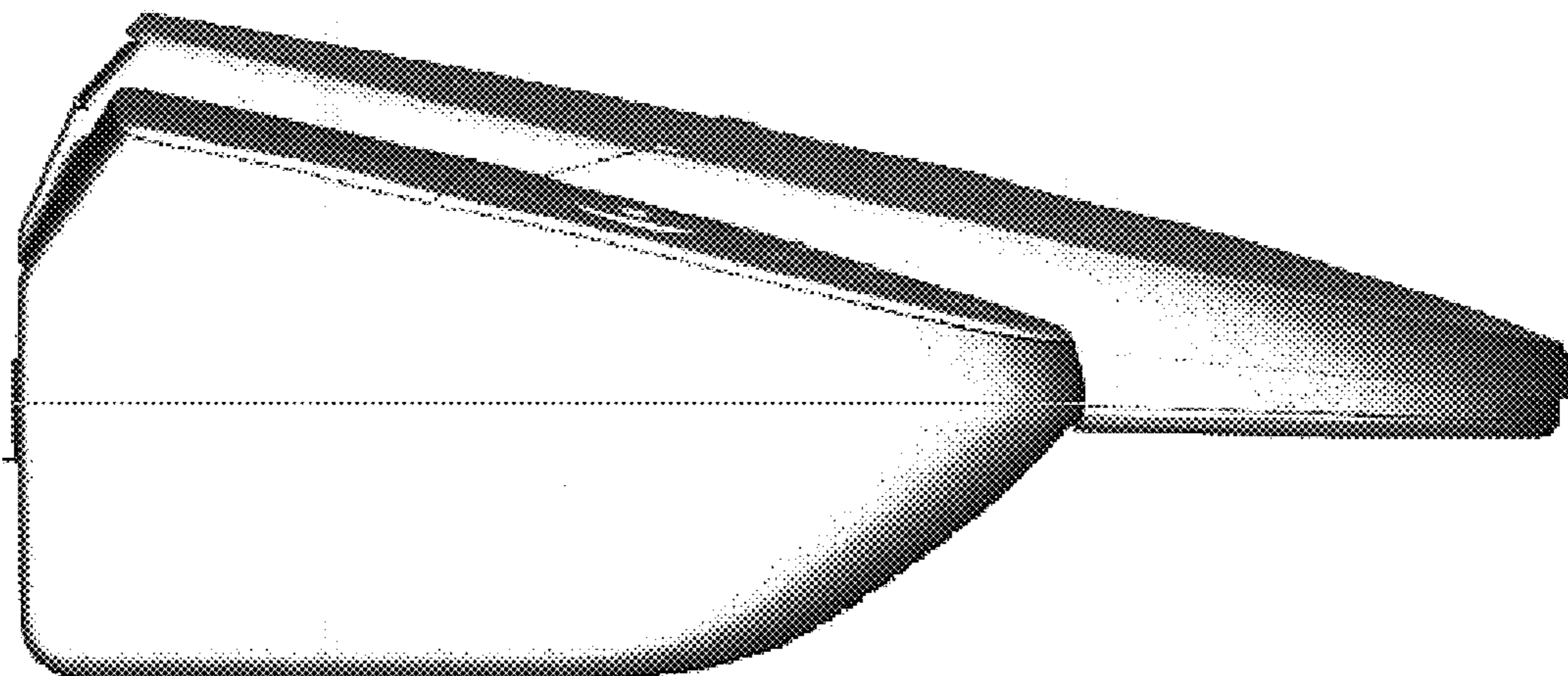


FIG. 6

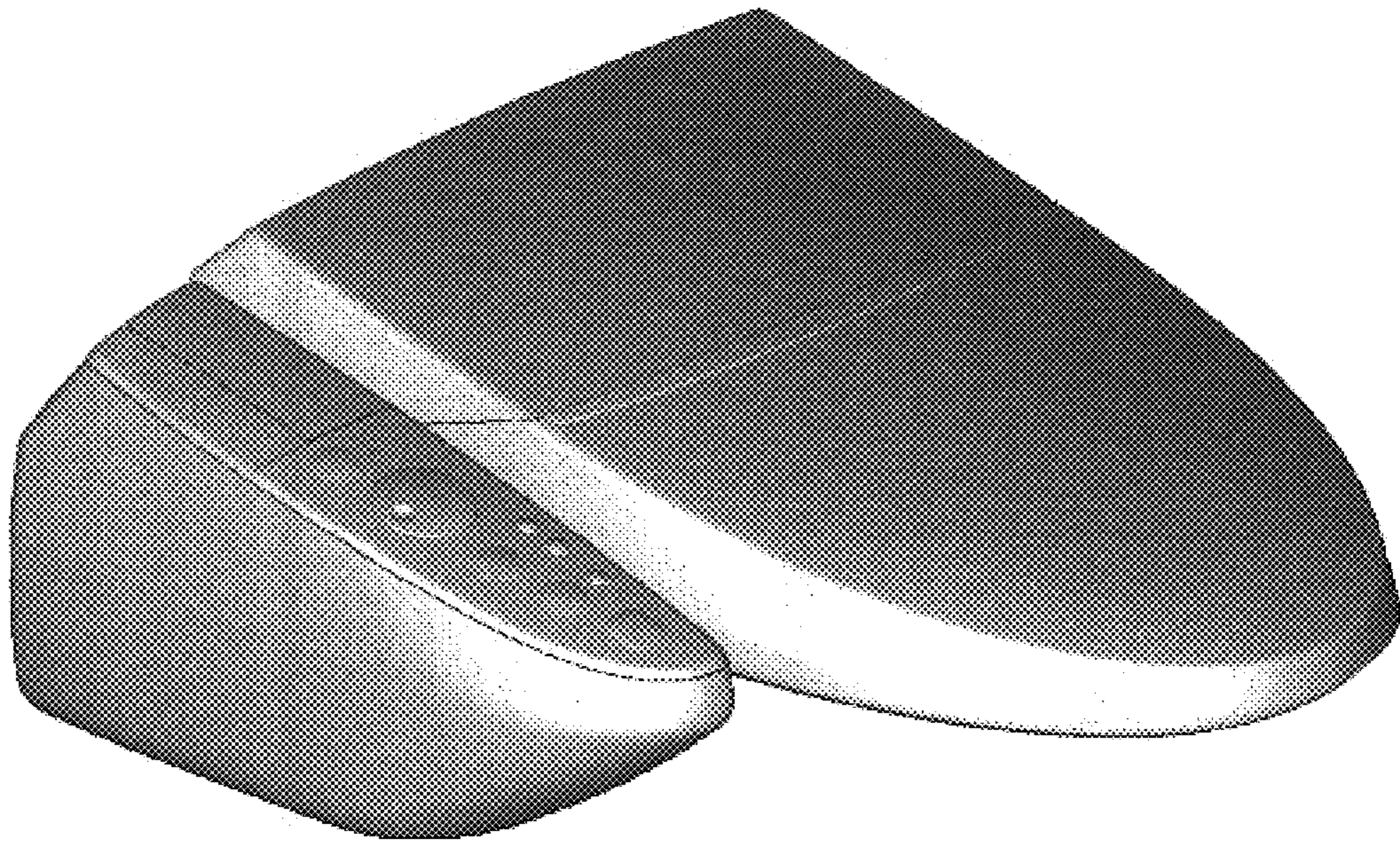


FIG. 7

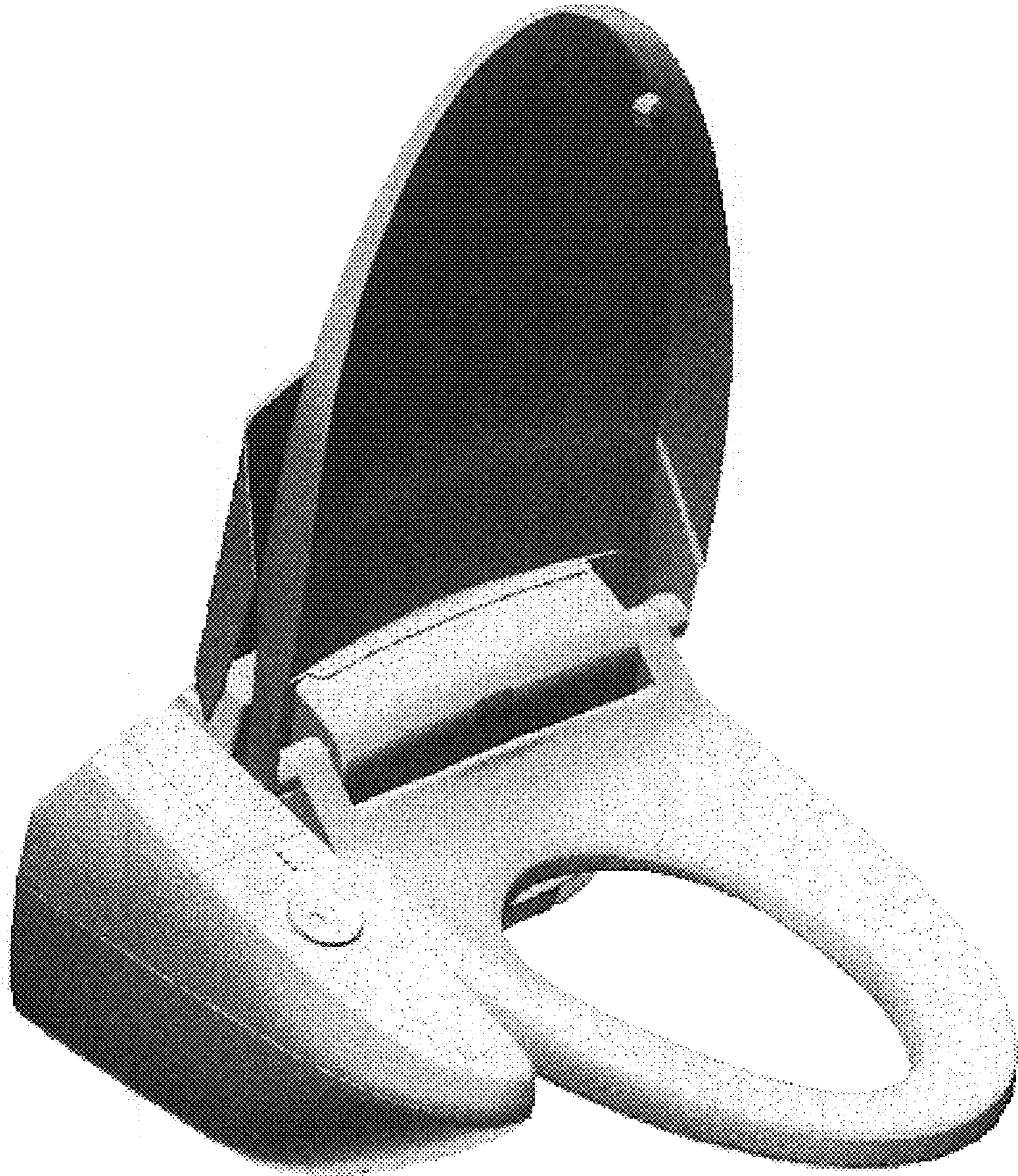


FIG. 8