



US00D495792S1

(12) **United States Design Patent**  
**Sutopo**

(10) **Patent No.:** **US D495,792 S**

(45) **Date of Patent:** **\*\* Sep. 7, 2004**

(54) **LAVATORY**

(75) **Inventor:** **Elise A. Sutopo**, Sheboygan, WI (US)

(73) **Assignee:** **Kohler Co.**, Kohler, WI (US)

(\*\*) **Term:** **14 Years**

(21) **Appl. No.:** **29/179,482**

(22) **Filed:** **Apr. 10, 2003**

(51) **LOC (7) Cl.** ..... **23-02**

(52) **U.S. Cl.** ..... **D23/293.1**

(58) **Field of Search** ..... D23/270–271,  
D23/273, 284–285, 290–292, 293.1, 303,  
308; 4/664–665, 619, 522, 623–624, 639–642,  
650–651, 660–661

(56) **References Cited**

**U.S. PATENT DOCUMENTS**

D202,411 S	*	9/1965	Niemann	.....	D23/293.1
D328,338 S		7/1992	Ragonot	.....	D23/284
D385,957 S		11/1997	Zaguera Garza	.....	D23/284
D394,308 S	*	5/1998	Bertoli	.....	D23/293.1
D434,124 S		11/2000	McKeone	.....	D23/284
D474,530 S	*	5/2003	Richardson	.....	D23/293.1

**OTHER PUBLICATIONS**

Undated catalog ad, supplier unknown, showing a drop-in lavatory, admitted prior art.

Undated Kohler catalog ad, p. 6.25, showing a “Folio” lavatory, admitted prior art.

\* cited by examiner

*Primary Examiner*—Louis S. Zarfes

*Assistant Examiner*—Robert A Delehanty

(74) *Attorney, Agent, or Firm*—Quarles & Brady LLP

(57) **CLAIM**

The ornamental design for a lavatory, as shown and described.

**DESCRIPTION**

In a preferred embodiment, the nature of this product is as a plumbing fixture in the form of a lavatory which is primarily useful for washing the body parts of humans.

FIG. 1 is a left, top, front perspective view of a lavatory embodying my new design;

FIG. 2 is a top plan view thereof;

FIG. 3 is a front elevational view thereof;

FIG. 4 is a left side elevational view thereof, the right side elevational view being a mirror image of the left side shown;

FIG. 5 is a rear elevational view thereof;

FIG. 6 is a bottom plan view thereof; and,

FIG. 7 is a cross-sectional view thereof taken along line 7—7 of FIG. 2.

The broken line representations of holes in FIGS. 1, 2, 6, and 7 are for the purpose of illustration only, and form no part of the claimed design.

**1 Claim, 3 Drawing Sheets**

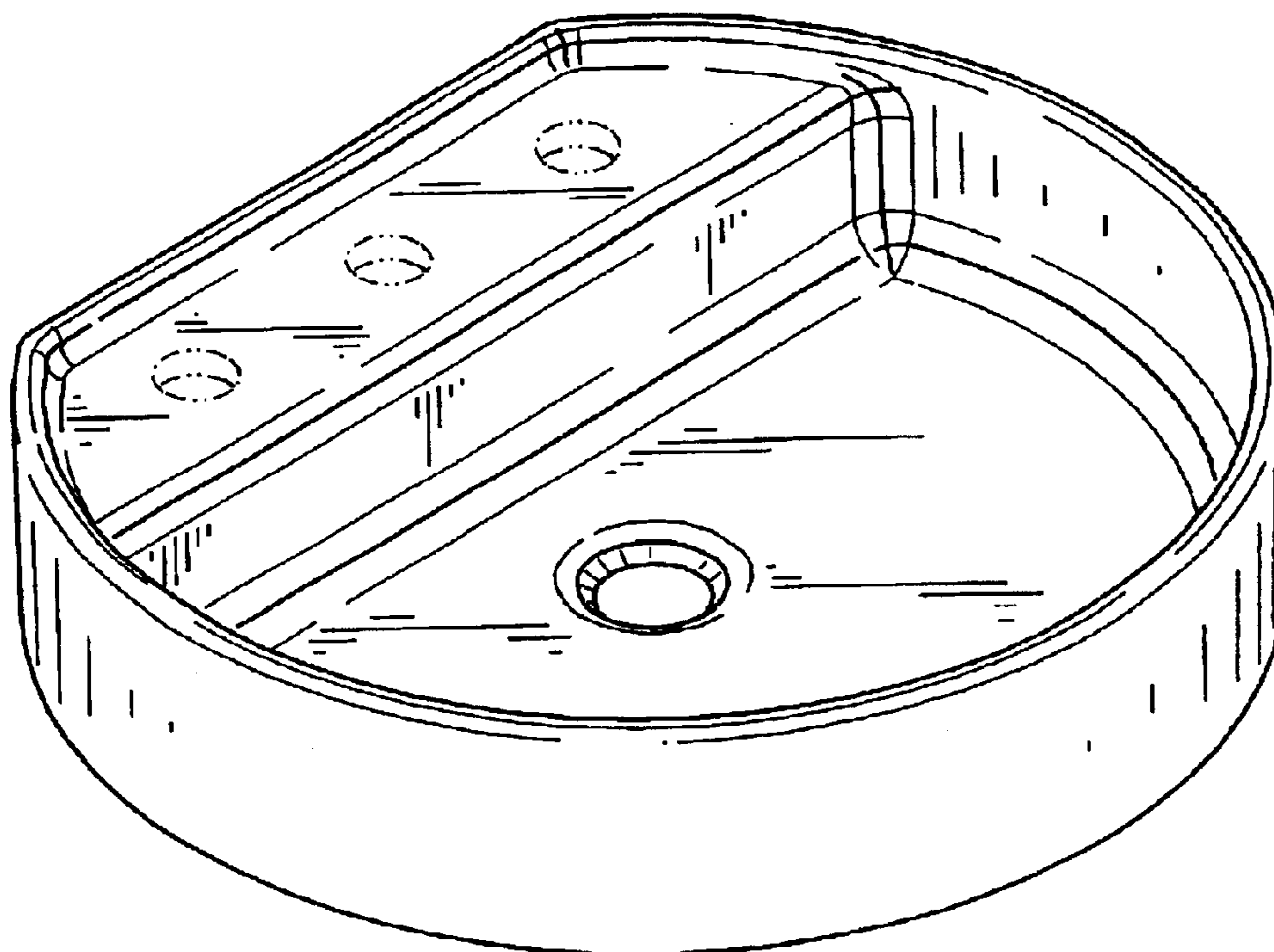


FIG. 1

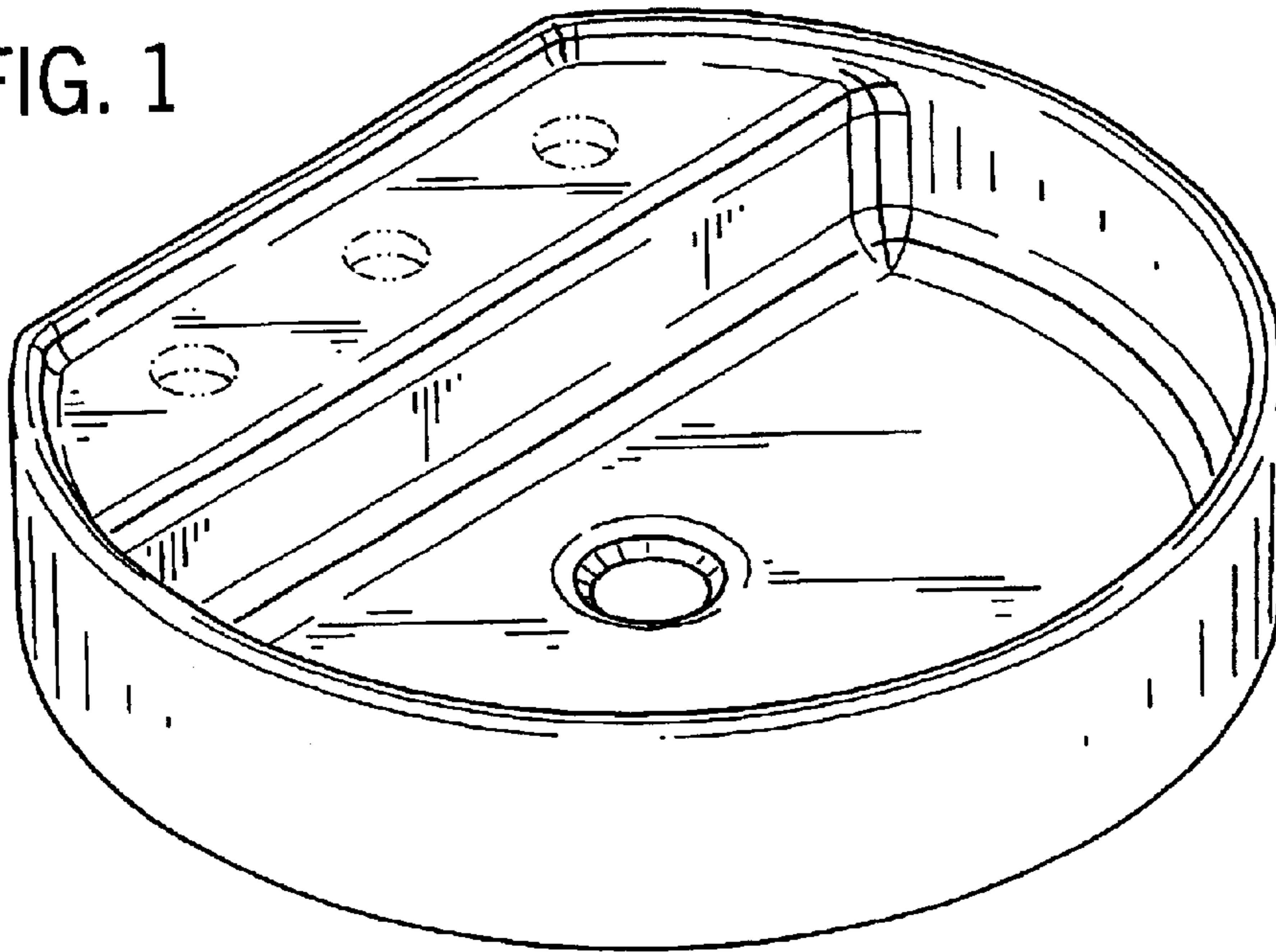


FIG. 2

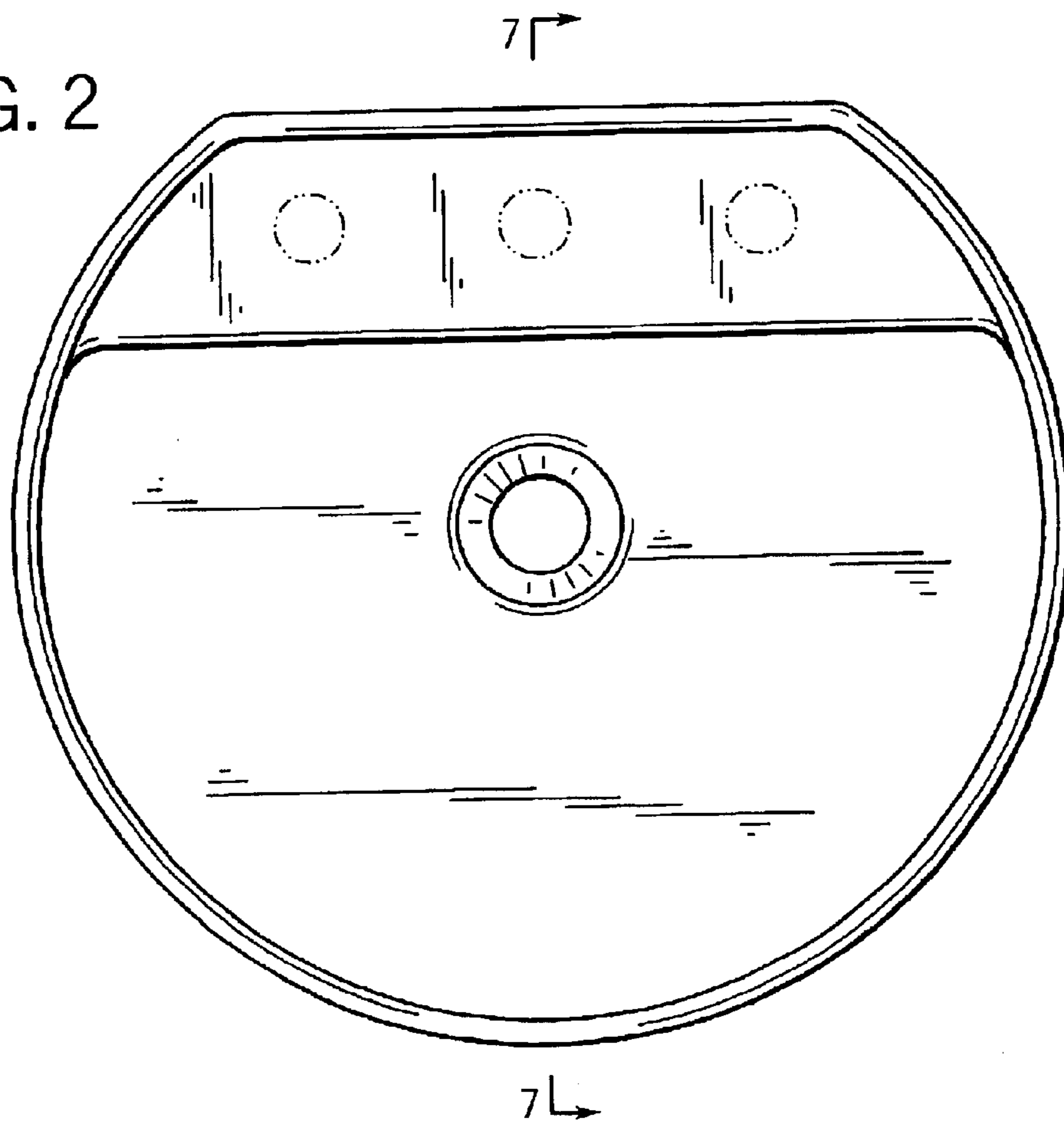


FIG. 3

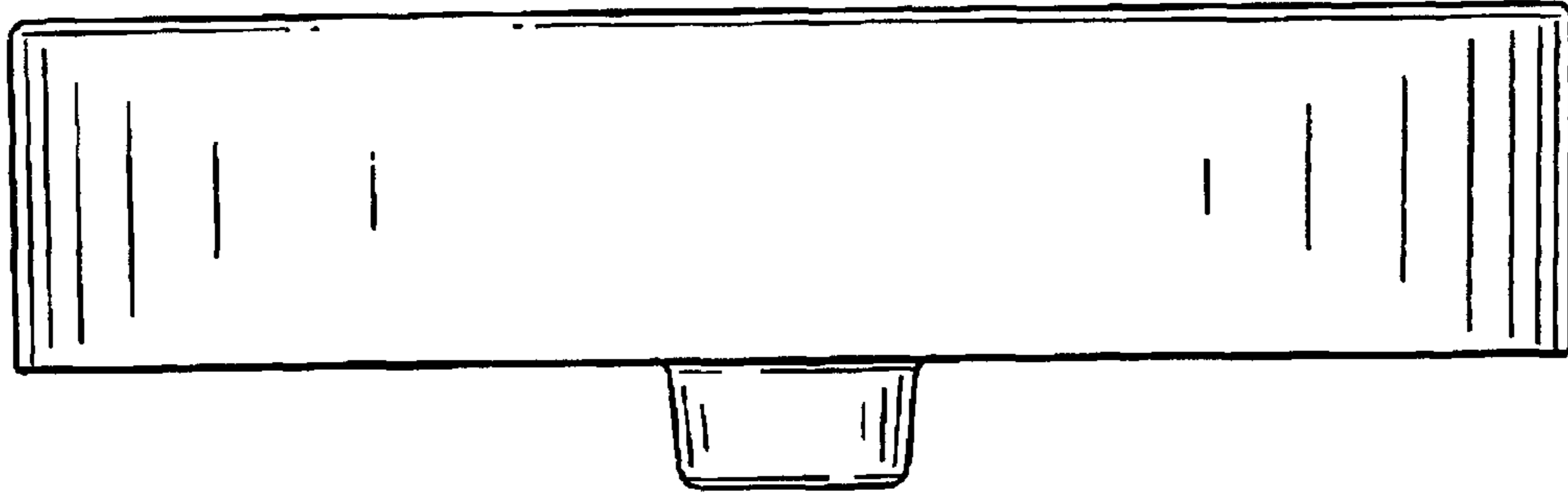


FIG. 4

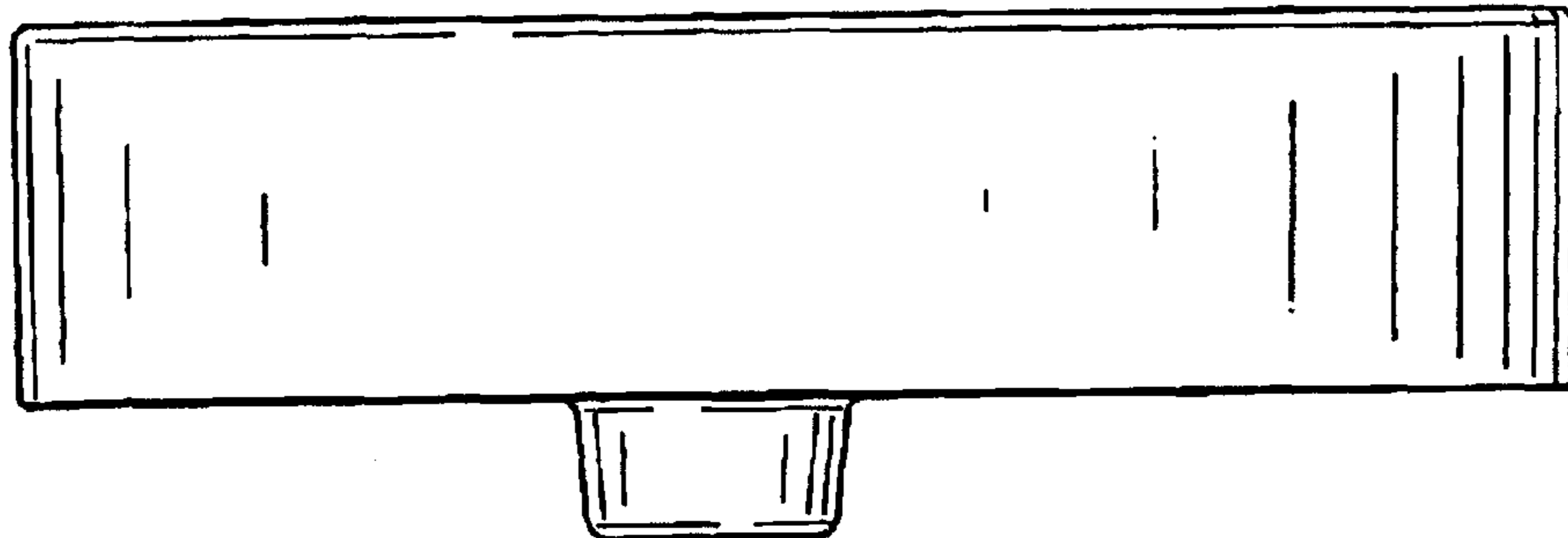


FIG. 5

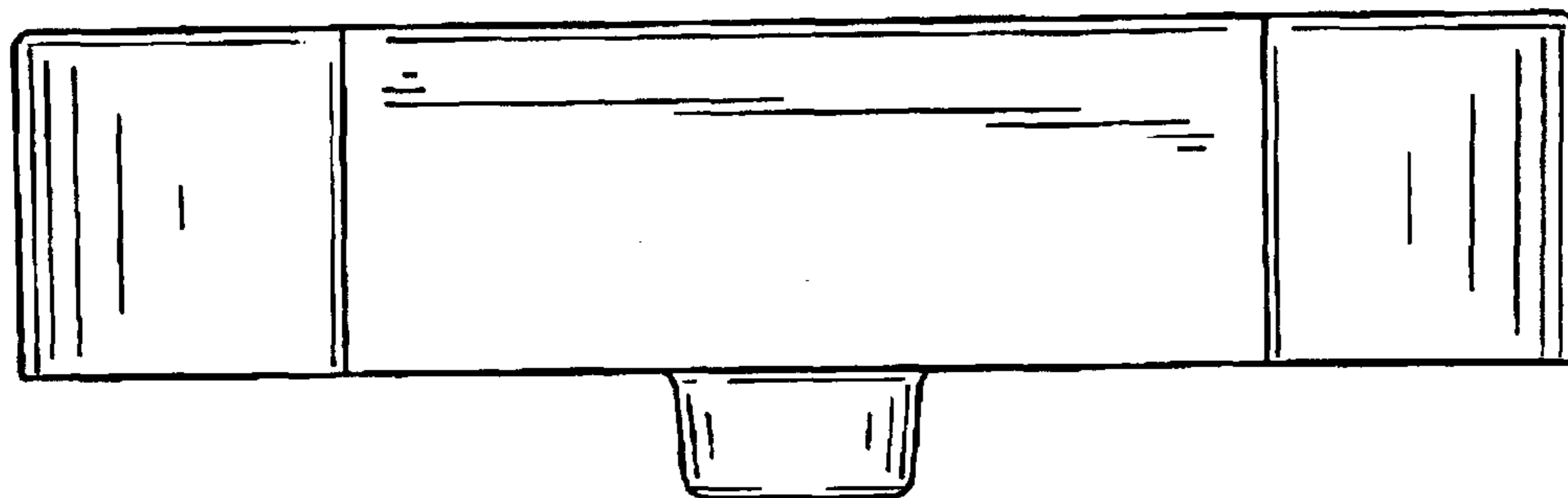


FIG. 6

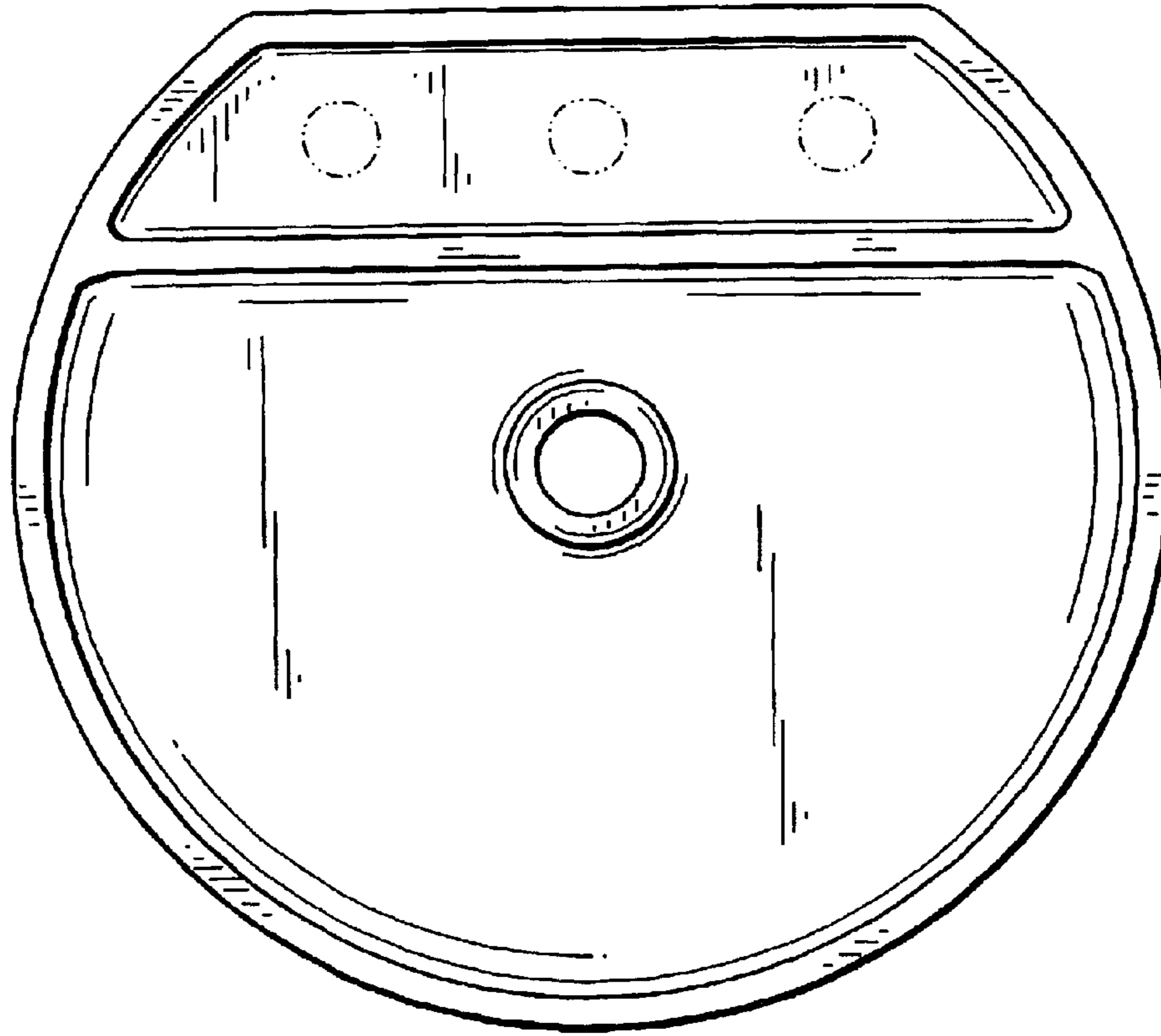


FIG. 7

