



US00D495791S1

(12) **United States Design Patent**
Bayer et al.

(10) **Patent No.:** **US D495,791 S**
(45) **Date of Patent:** **** Sep. 7, 2004**

(54) **SINK**

(75) Inventors: **Michelle E. Bayer**, Benton Harbor, MI (US); **Christopher M. De Cleene**, Sheboygan, WI (US)

(73) Assignee: **Kohler Co.**, Kohler, WI (US)

(**) Term: **14 Years**

(21) Appl. No.: **29/192,391**

(22) Filed: **Oct. 22, 2003**

(51) **LOC (7) Cl.** **23-02**

(52) **U.S. Cl.** **D23/290**

(58) **Field of Search** D23/271, 273, D23/284-287, 289-292, 293.1, 303, 308; 4/663-665, 619, 661, 630-636, 645-646, 648, 650-652, 638, 643

(56) **References Cited**

U.S. PATENT DOCUMENTS

2,262,093	A	11/1941	Burman	
2,529,568	A	11/1950	O'Hara	
4,336,620	A	6/1982	Gresh	
5,628,484	A	* 5/1997	Lechuga	4/645
D473,294	S	* 4/2003	Genslak et al.	D23/293.1

OTHER PUBLICATIONS

1993 Sterling catalog ad showing "Waterstone" kitchen sinks.
Undated Elkay catalog ad showing a double bowl sink.

Undated catalog ad, supplier unknown, showing an overflow plumbing fixture.

* cited by examiner

Primary Examiner—Robert A. Delehanty
(74) *Attorney, Agent, or Firm*—Quarles & Brady LLP

(57) **CLAIM**

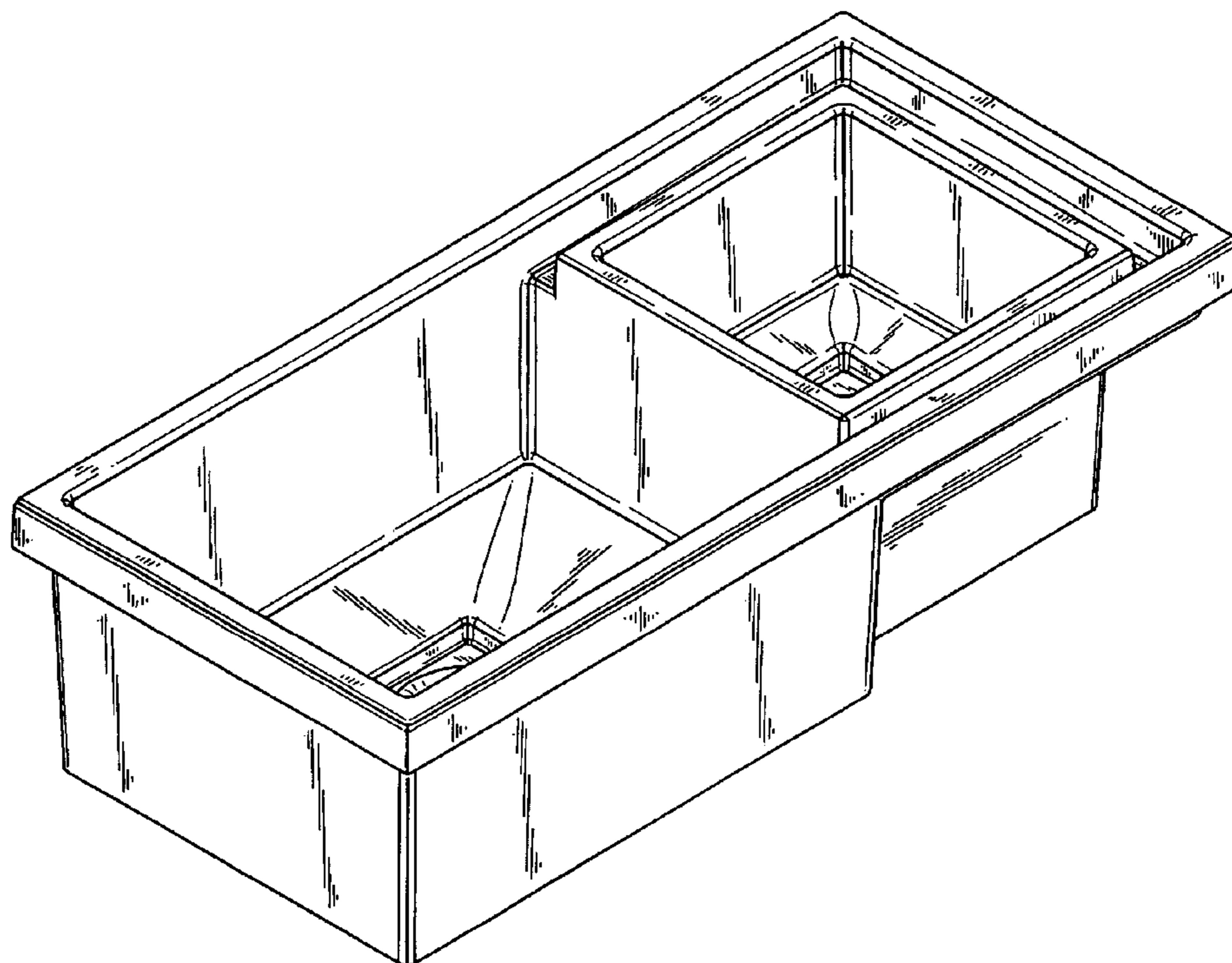
The ornamental design for a sink, as shown and described.

DESCRIPTION

FIG. 1 is a left, top, front perspective view of a sink embodying our new design;
FIG. 2 is a top plan view thereof;
FIG. 3 is a front elevational view thereof, the rear elevational view being a mirror image of the front elevational view shown;
FIG. 4 is a left side elevational view thereof;
FIG. 5 is a right side elevational view thereof;
FIG. 6 is a bottom plan view thereof; and,
FIG. 7 is a cross-sectional view thereof taken along line 7-7 of FIG. 2.

It should be understood that while FIGS. 1 and 3-5 are described in terms of front, rear, right, and left sides, the sink may be alternatively oriented in a mounting environment so that the front side becomes the rear side, the rear side becomes the front side, the right side becomes the left side, and the left side becomes the right side.

1 Claim, 5 Drawing Sheets



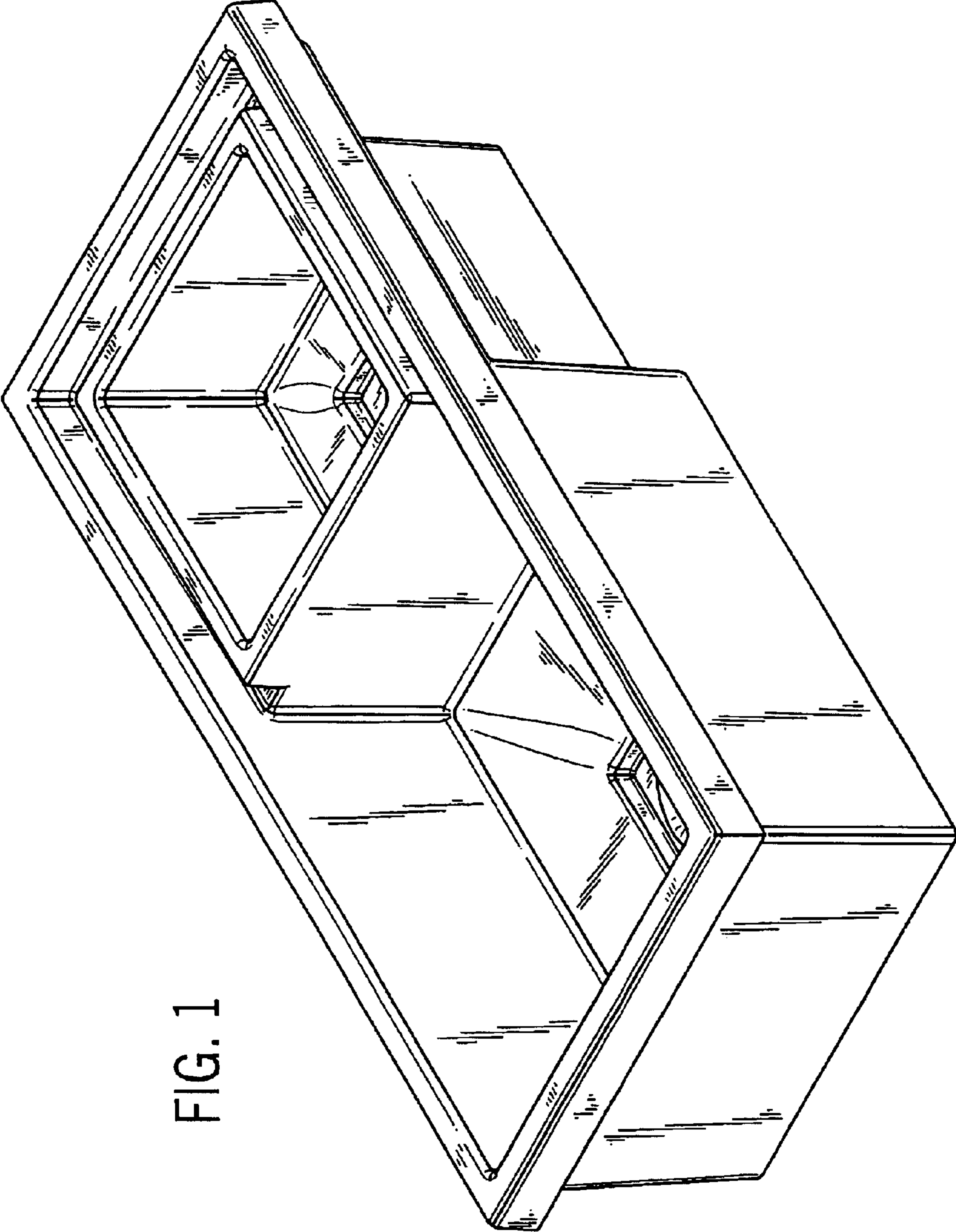


FIG. 1

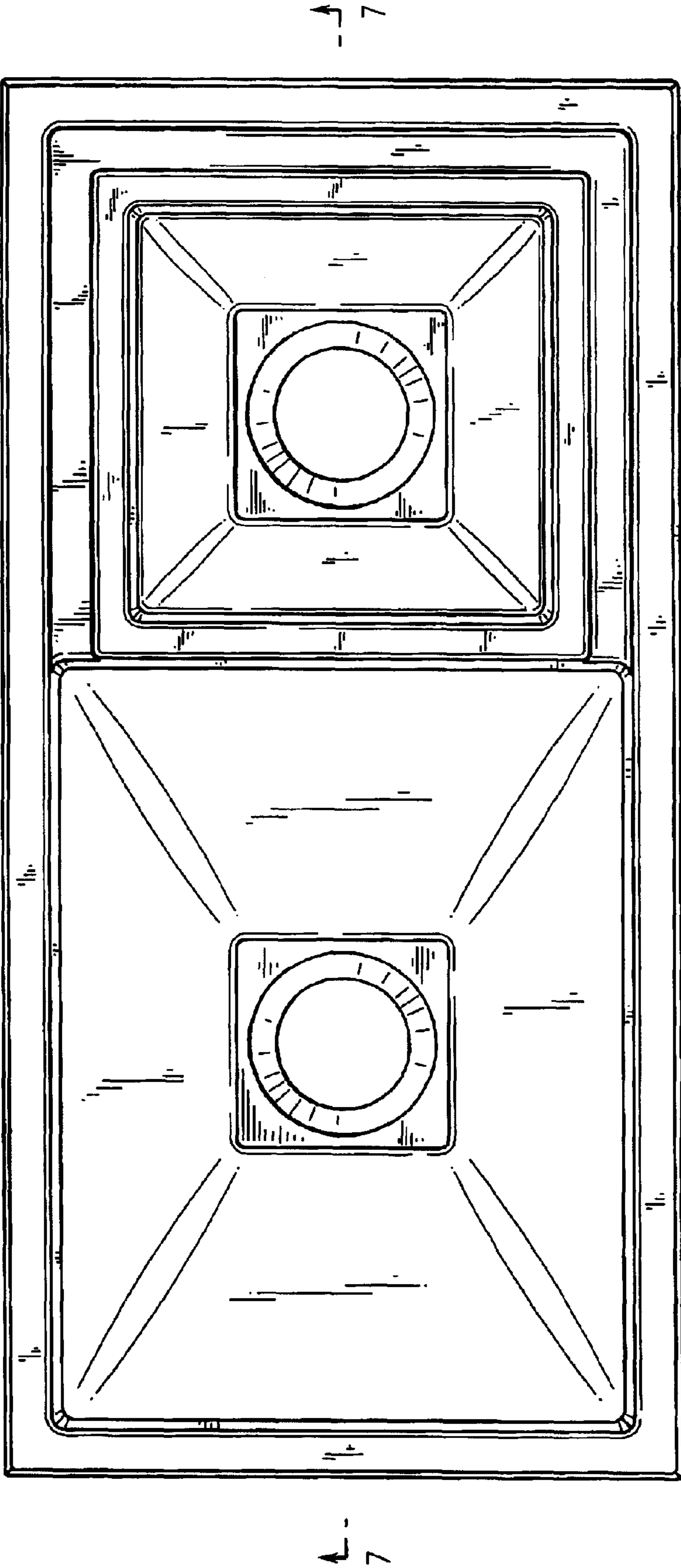


FIG. 2

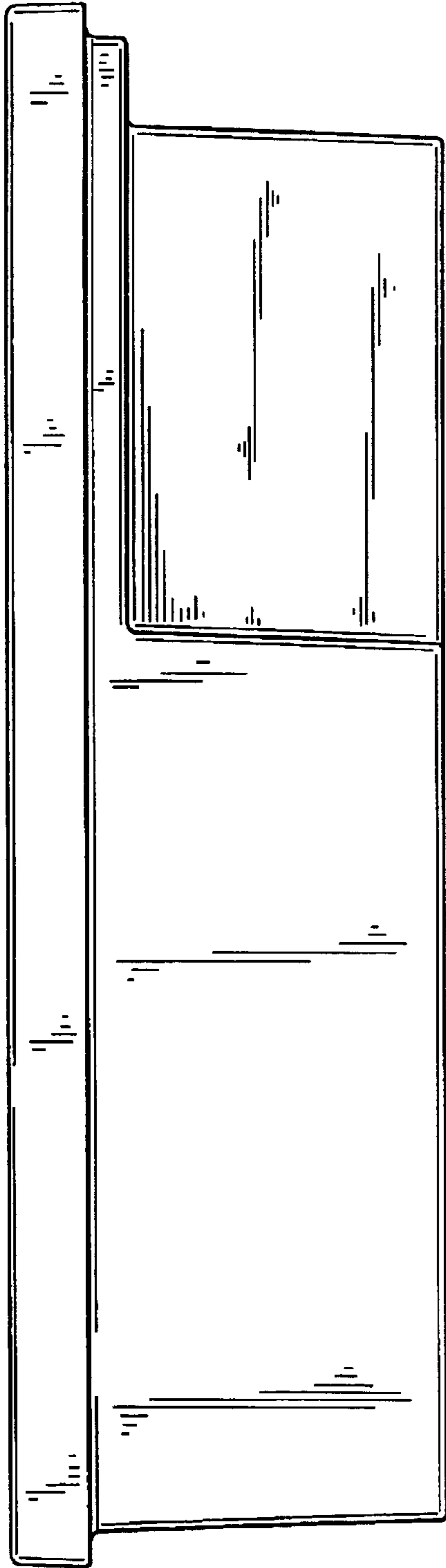


FIG. 3

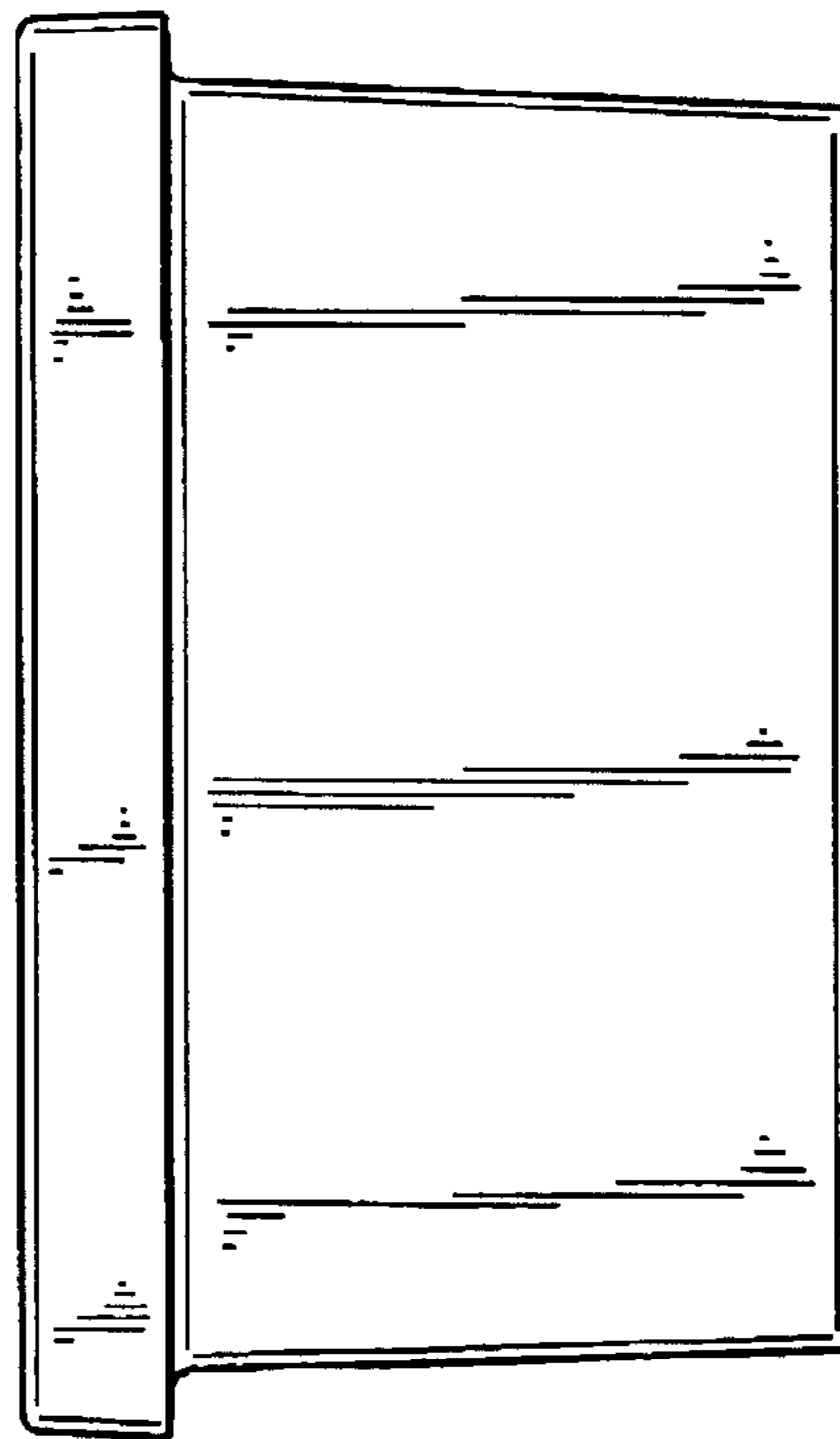


FIG. 4

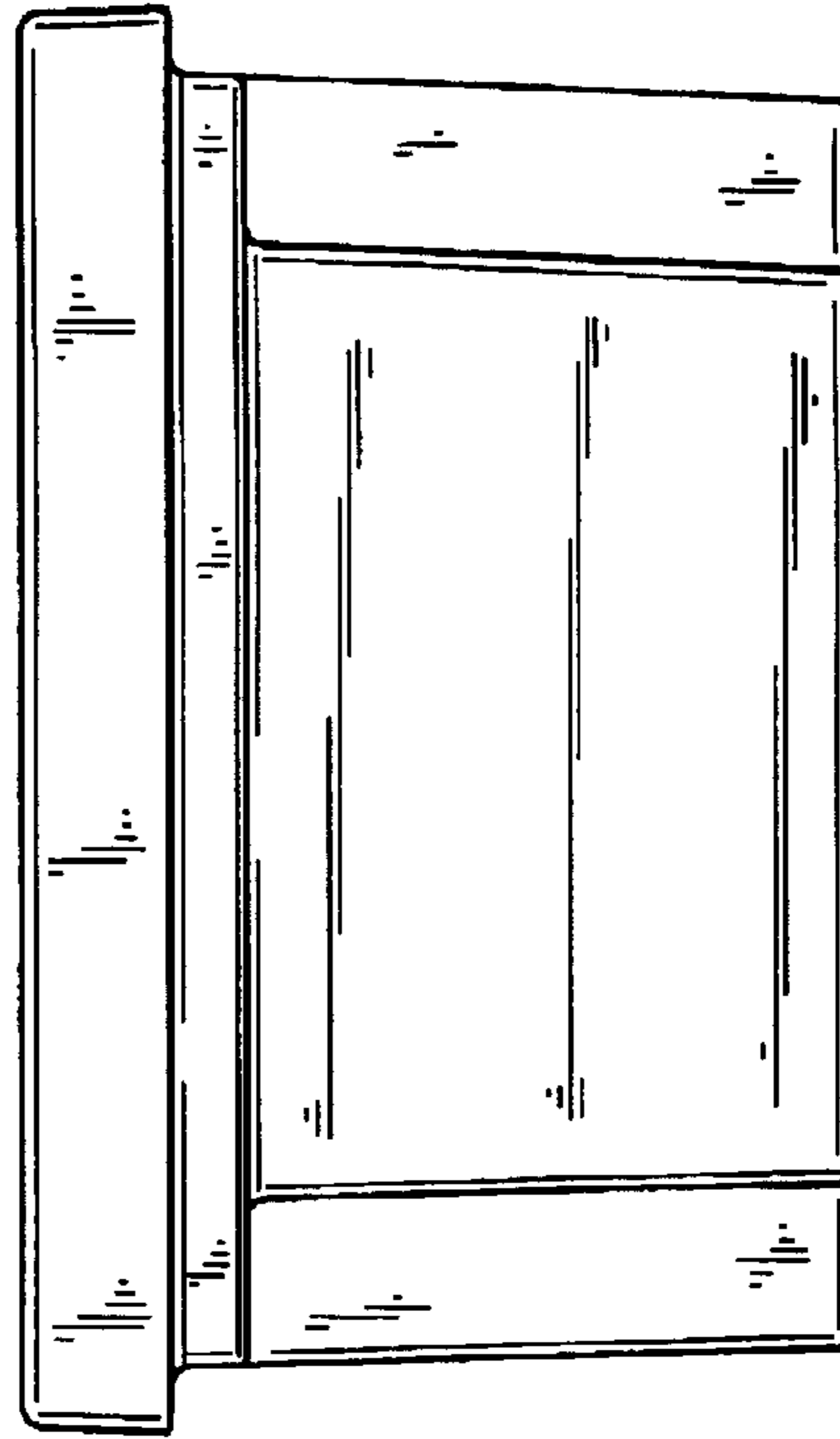


FIG. 5

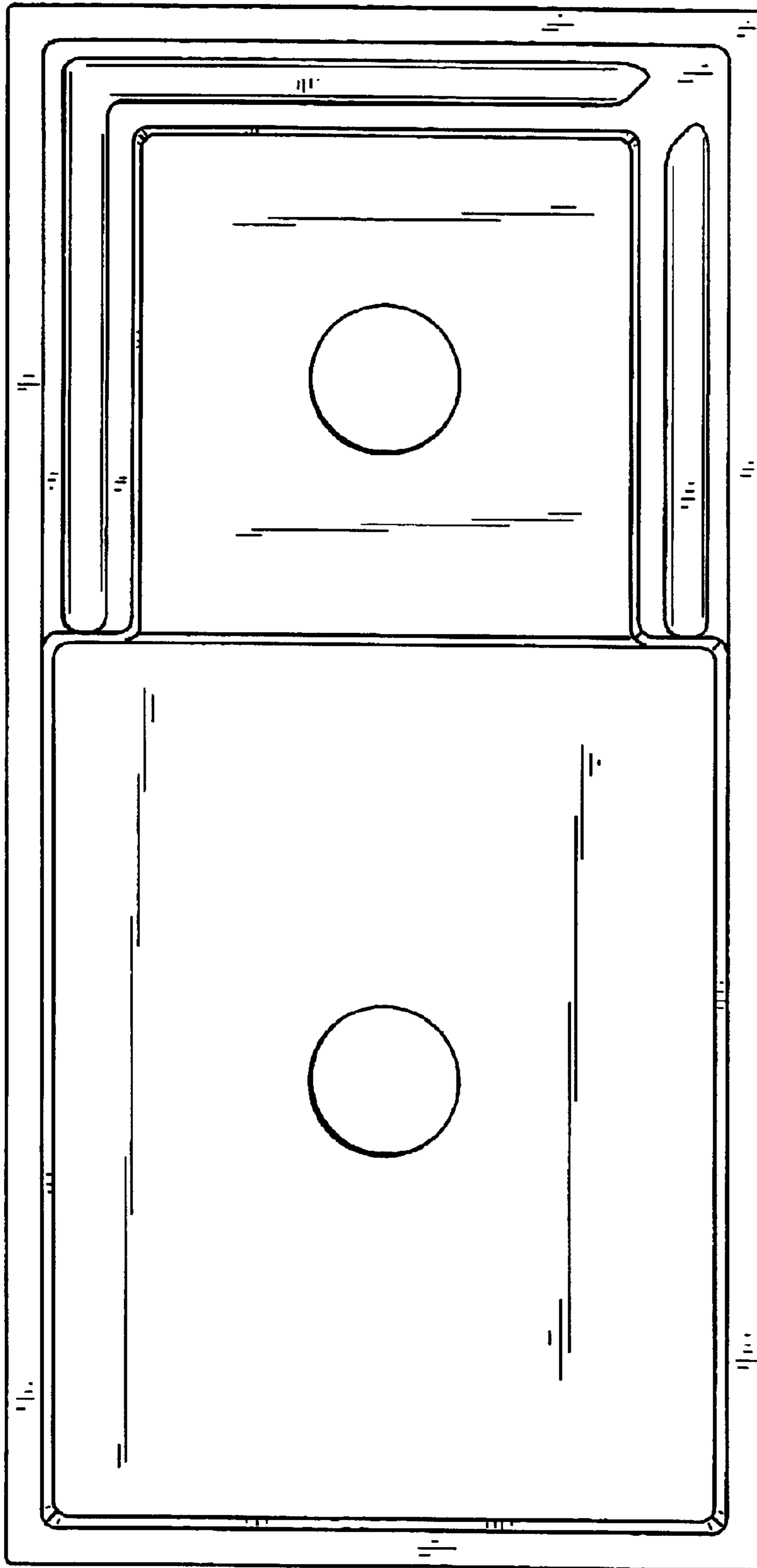


FIG. 6

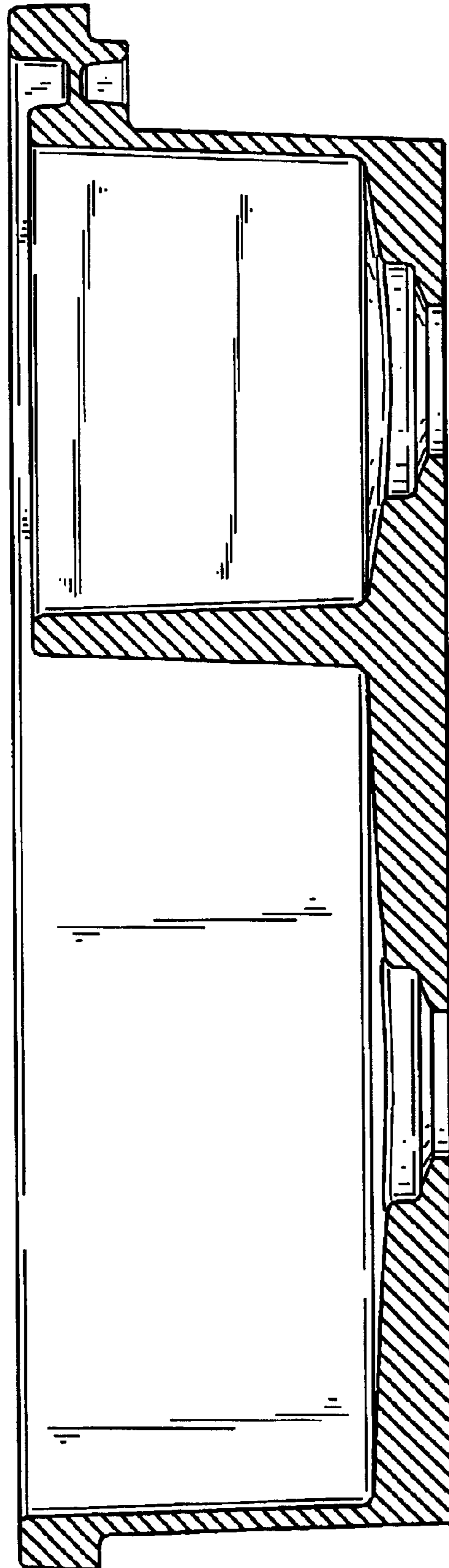


FIG. 7