

US00D495787S1

(12) **United States Design Patent**
Helmetsie et al.

(10) **Patent No.:** **US D495,787 S**

(45) **Date of Patent:** **** Sep. 7, 2004**

(54) **SHOWER BASE**

(75) Inventors: **Eugene A. Helmetsie**, Spencer, NY (US); **Harper F. Zarker, Jr.**, Lumberton, NJ (US); **Tomasz Pracel**, Spencer, NY (US)

(73) Assignee: **American Shower & Bath Corp.**, Moorestown, NJ (US)

(**) Term: **14 Years**

(21) Appl. No.: **29/187,681**

(22) Filed: **Aug. 5, 2003**

(51) **LOC (7) Cl.** **23-02**

(52) **U.S. Cl.** **D23/283**

(58) **Field of Search** D23/270, 275, D23/279, 283, 303, 304-307; 4/552, 596-598, 607-615, 555-558, 601, 604-605

(56) **References Cited**
PUBLICATIONS

Aqua Glass: La Voyage shower, p. 12, c.1990.*
Trayco: corner entry base, c. 1992.*

* cited by examiner

Primary Examiner—Robert A. Delehanty

(74) *Attorney, Agent, or Firm*—Edgar A. Zarins; Lloyd D. Doigan

(57) **CLAIM**

The ornamental design for a shower base, as shown and described.

DESCRIPTION

FIG. 1 is a perspective view of a shower base showing our new design;

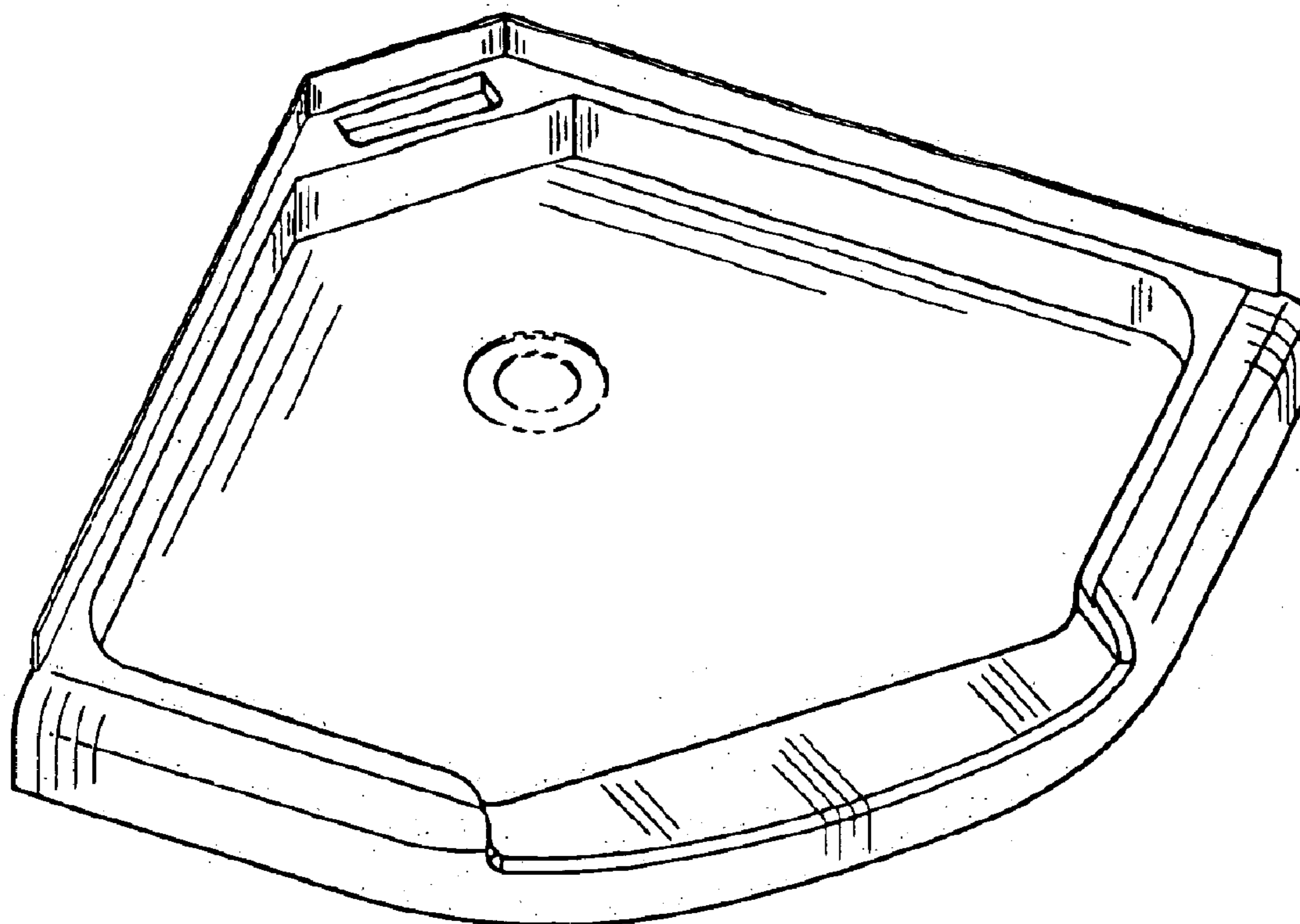
FIG. 2 is a top plan view thereof;

FIG. 3 is a side view thereof; and,

FIG. 4 is a front elevational view thereof.

The broken line showing of a plumbing drain is for illustrative purposes only and forms no part of the claimed design.

1 Claim, 1 Drawing Sheet



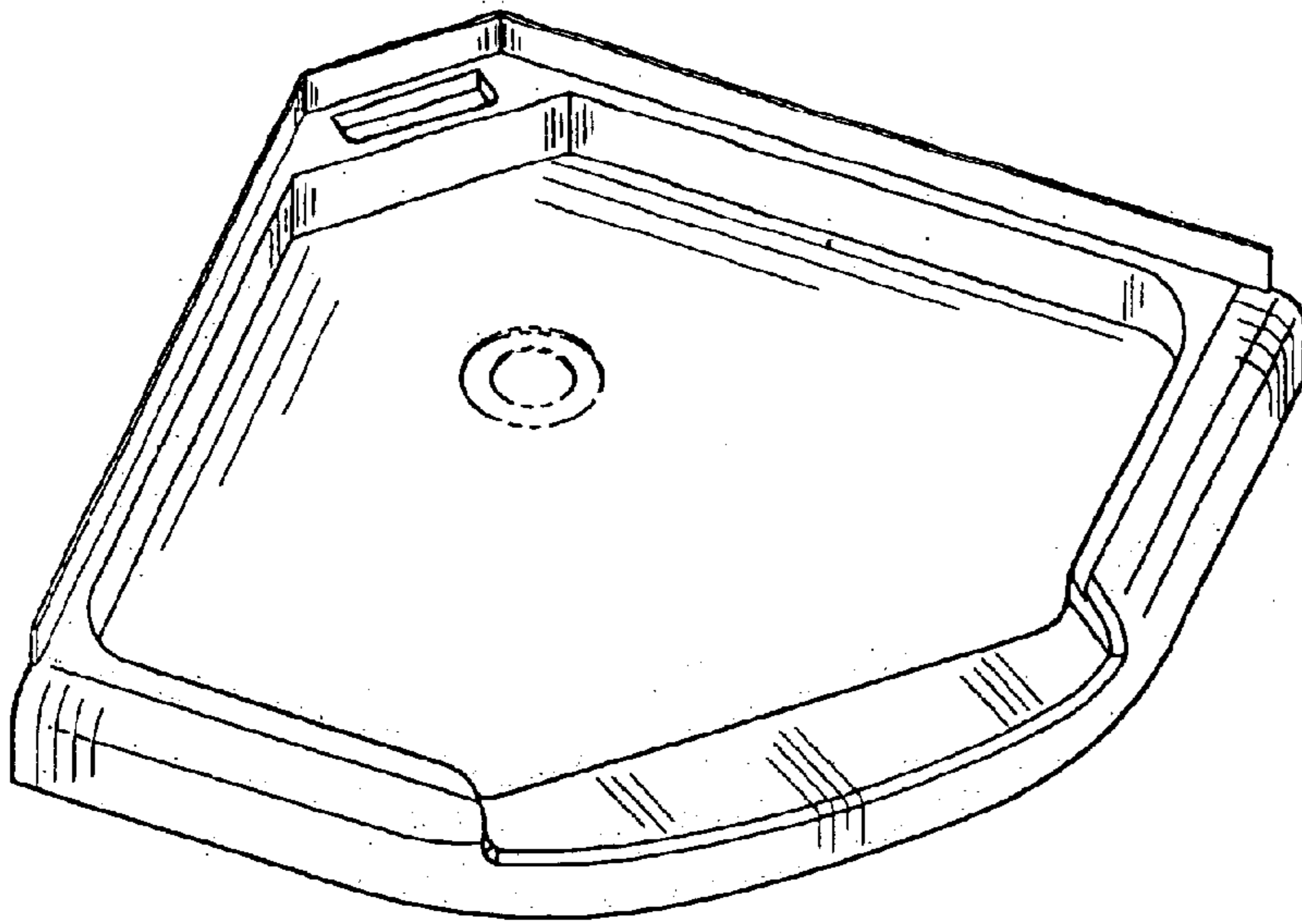


Fig-1

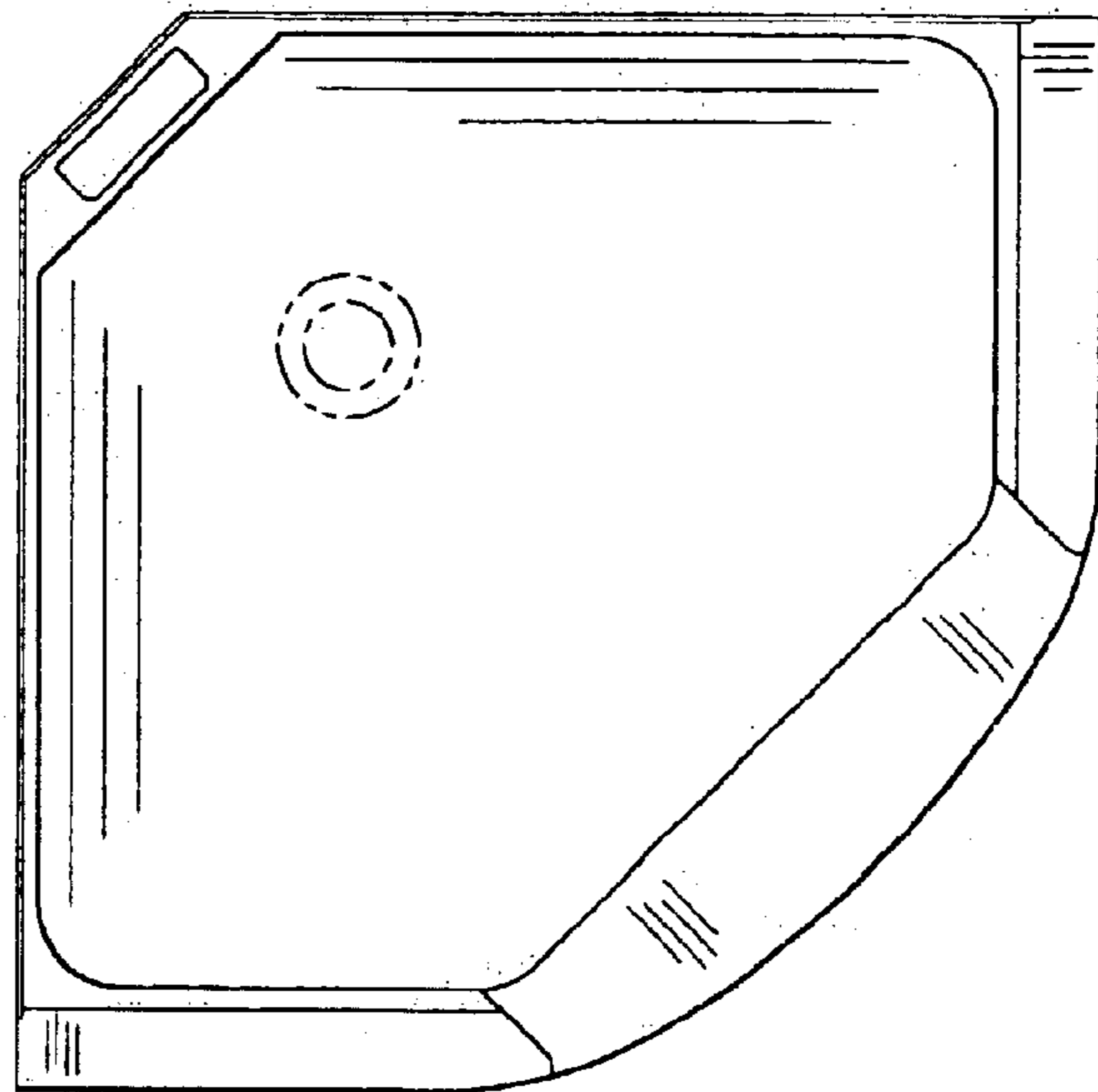


Fig-2

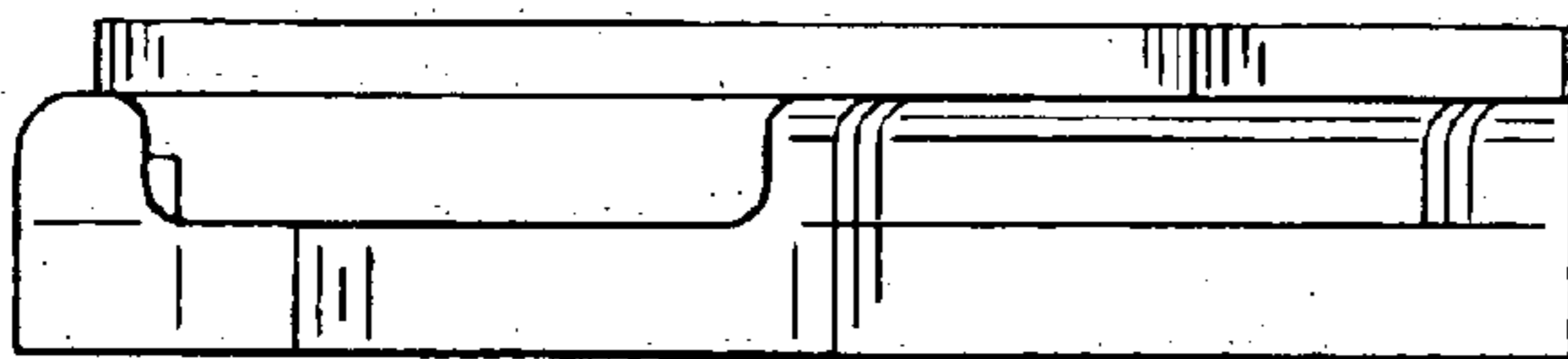


Fig-3

Fig-4

