

US00D495780S1

(12) **United States Design Patent**
Aubry et al.

(10) **Patent No.:** **US D495,780 S**
(45) **Date of Patent:** **** Sep. 7, 2004**

(54) **HANDLE**

(75) Inventors: **Clodagh Aubry**, New York, NY (US);
Kate Verner, New York, NY (US)

(73) Assignee: **Ann Sacks Tile and Stone, Inc.**,
Portland, OR (US)

(**) Term: **14 Years**

(21) Appl. No.: **29/179,542**

(22) Filed: **Apr. 10, 2003**

(51) **LOC (7) Cl.** **23-01**

(52) **U.S. Cl.** **D23/252; D23/254**

(58) **Field of Search** **D23/238-243,**
D23/245, 250-257; D8/300-322, 350-353,
DIG. 3; 16/110.1; 4/675-678; 137/801

(56) **References Cited**

U.S. PATENT DOCUMENTS

D265,229 S	*	6/1982	Paul	D23/242
D271,514 S	*	11/1983	Paul	D23/242
D303,830 S	*	10/1989	Ramsey et al.	D23/254
D313,065 S	*	12/1990	Strignano	D23/242
D472,611 S	*	4/2003	Piatt	D23/252

* cited by examiner

Primary Examiner—Louis S. Zarfes

Assistant Examiner—Gregory Andoll

(74) *Attorney, Agent, or Firm*—Quarles & Brady LLP

(57) **CLAIM**

The ornamental design for a handle, as shown and described.

DESCRIPTION

In a preferred embodiment, the nature of this product is as a plumbing handle which is primarily useful for controlling a rotatable valve stem.

FIG. 1 is a left, top, front perspective view of a handle embodying our new design;

FIG. 2 is a top plan view thereof;

FIG. 3 is a left side elevational view thereof, the right side elevational view thereof being a mirror image of the left side shown;

FIG. 4 is a front elevational view thereof;

FIG. 5 is a rear elevational view thereof;

FIG. 6 is a bottom plan view thereof;

FIG. 7 is a left, top, front perspective view of a second embodiment;

FIG. 8 is a top plan view thereof;

FIG. 9 is a left side elevational view thereof, the right side elevational view thereof being a mirror image of the left side shown;

FIG. 10 is a front elevational view thereof;

FIG. 11 is a rear elevational view thereof;

FIG. 12 is a bottom plan view thereof;

FIG. 13 is a left, top, front perspective view of a third embodiment;

FIG. 14 is a top plan view thereof;

FIG. 15 is a left side elevational view thereof, the right side elevational view thereof being a mirror image of the left side shown;

FIG. 16 is a front elevational view thereof;

FIG. 17 is a rear elevational view thereof; and,

FIG. 18 is a bottom plan view thereof.

The broken line representations of mounting structure in FIGS. 6, 12, and 18 are for the purpose of illustration only, and form no part of the claimed design.

1 Claim, 4 Drawing Sheets

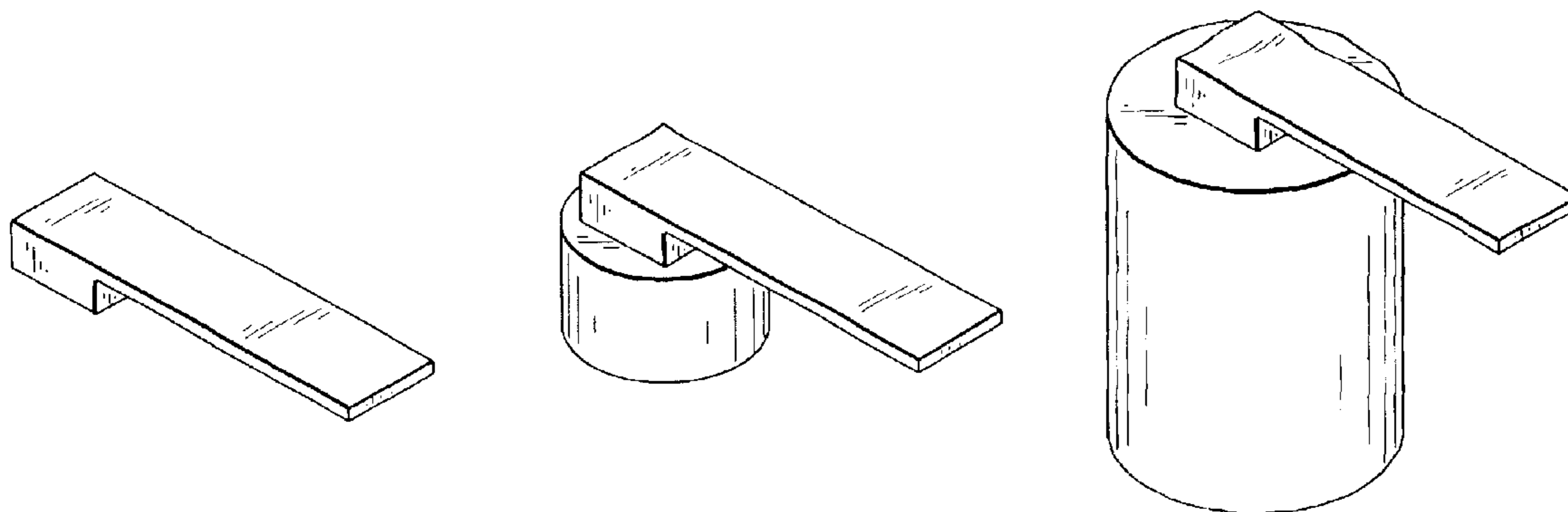


FIG. 1

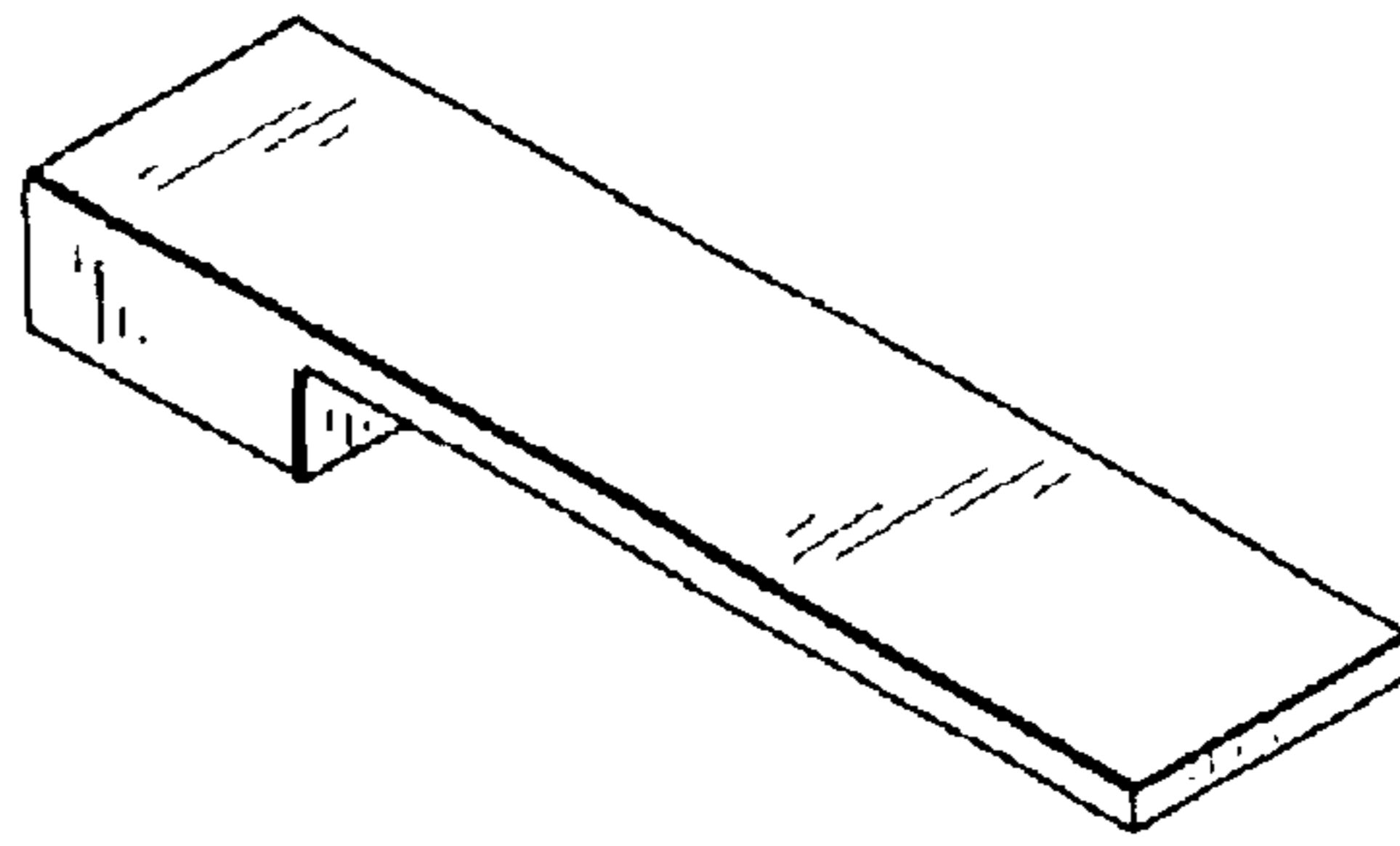


FIG. 2

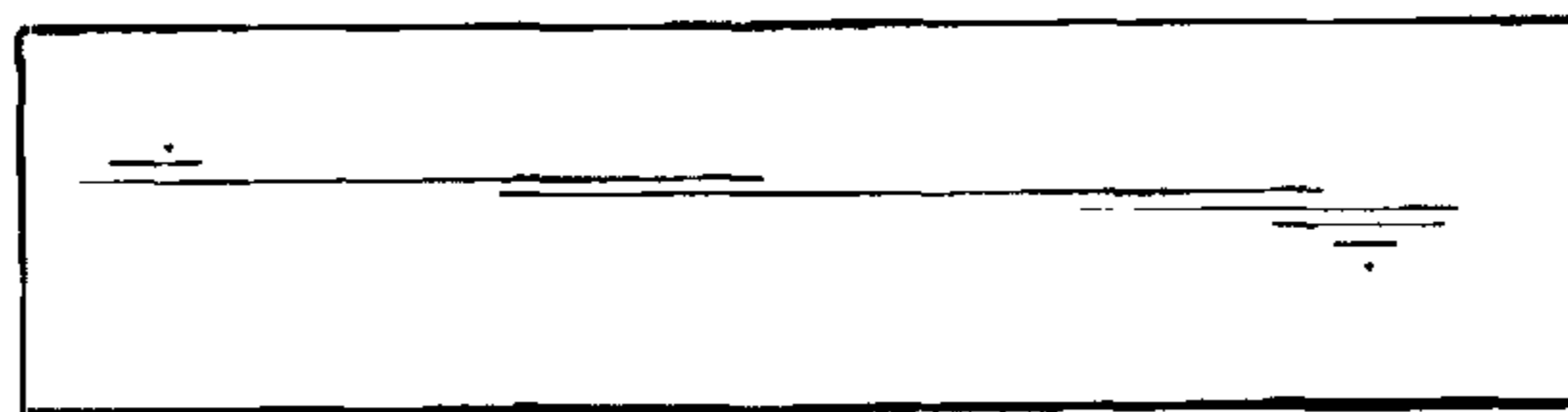


FIG. 3

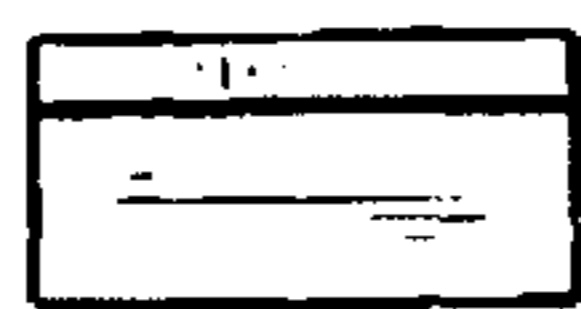
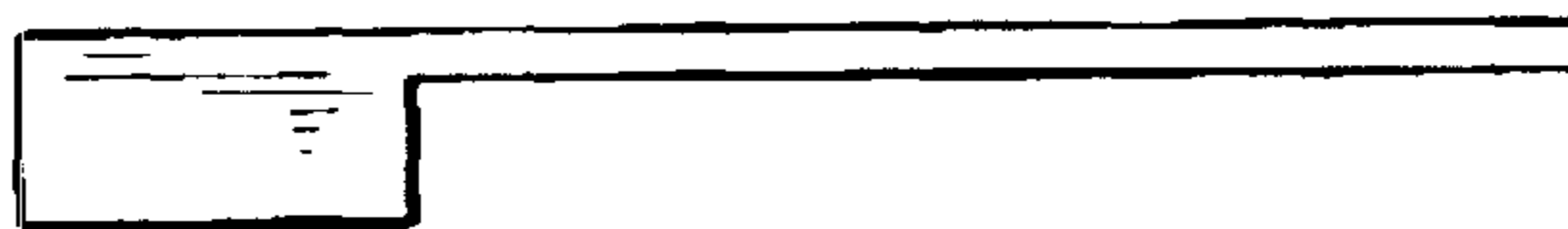


FIG. 4

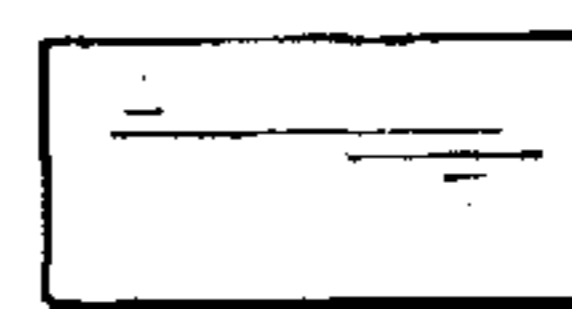


FIG. 5

FIG. 6

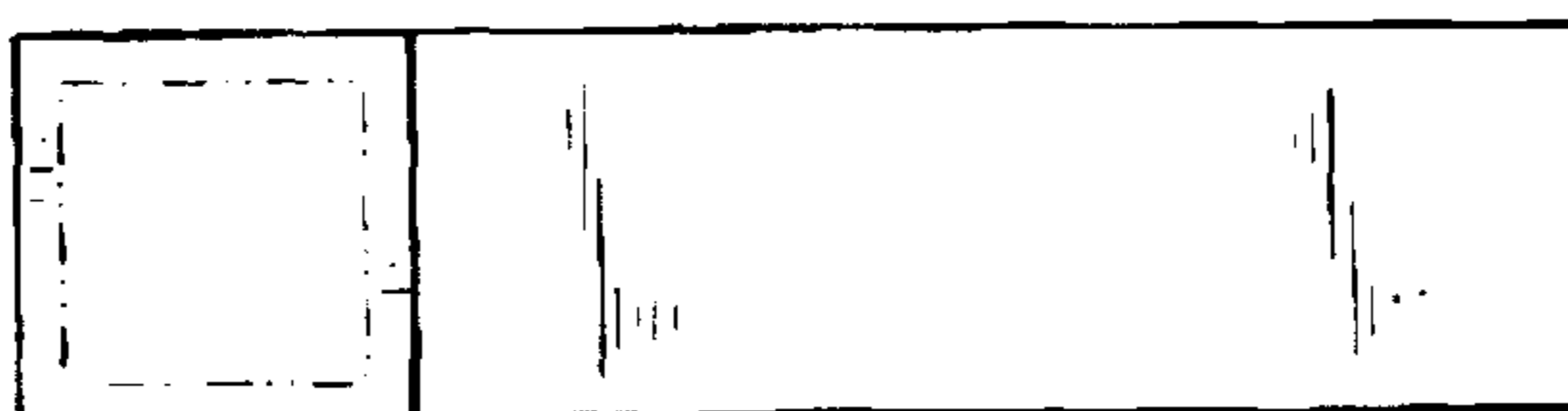


FIG. 7

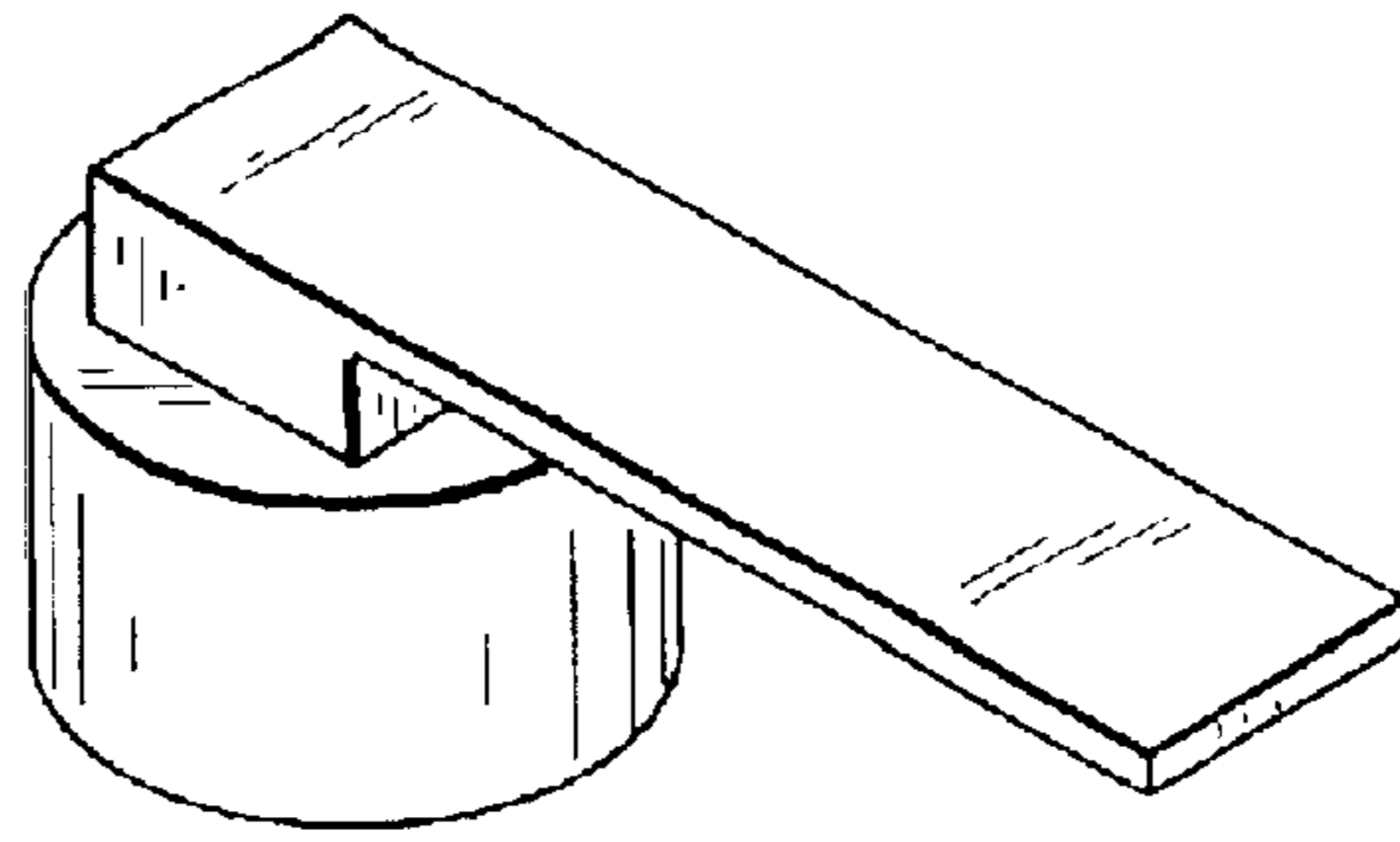


FIG. 8

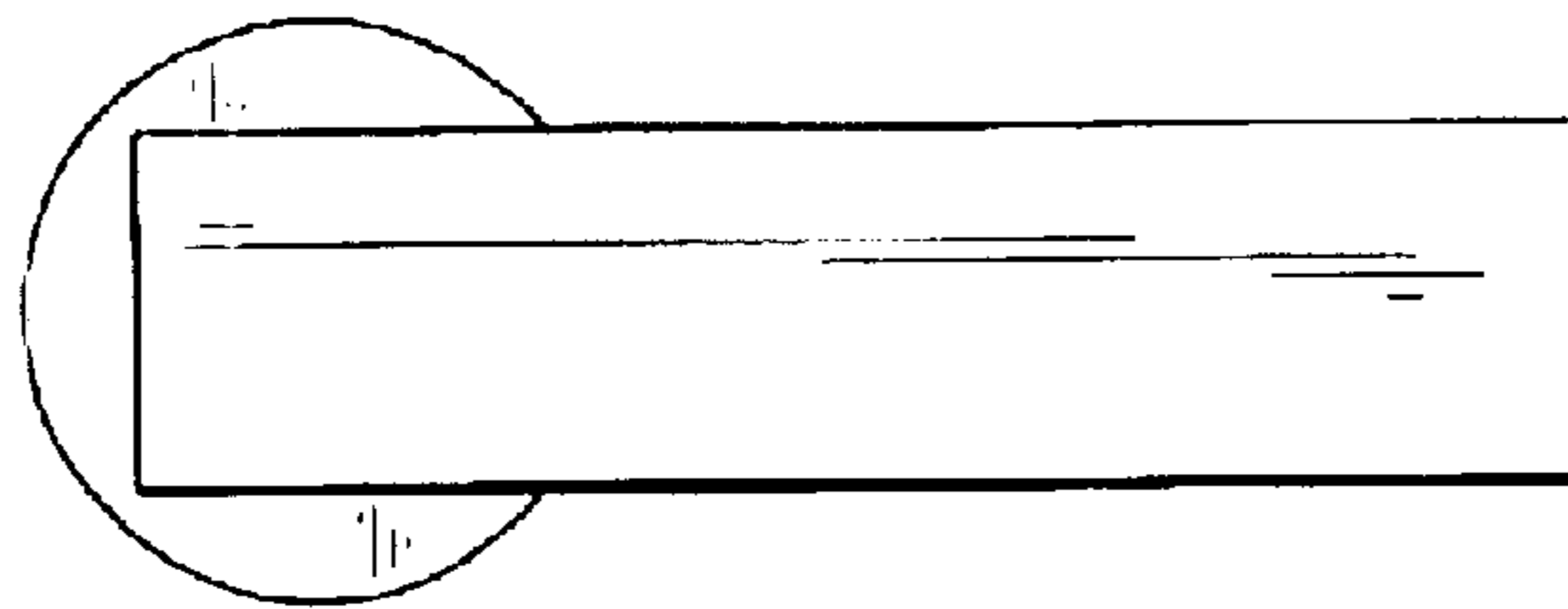


FIG. 9

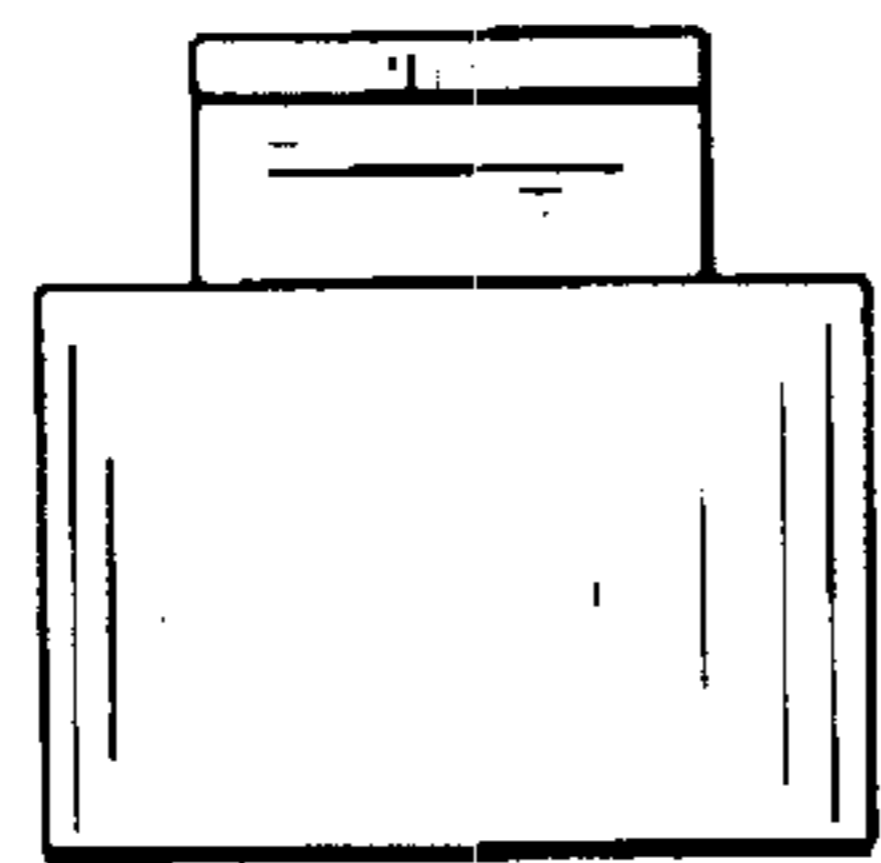
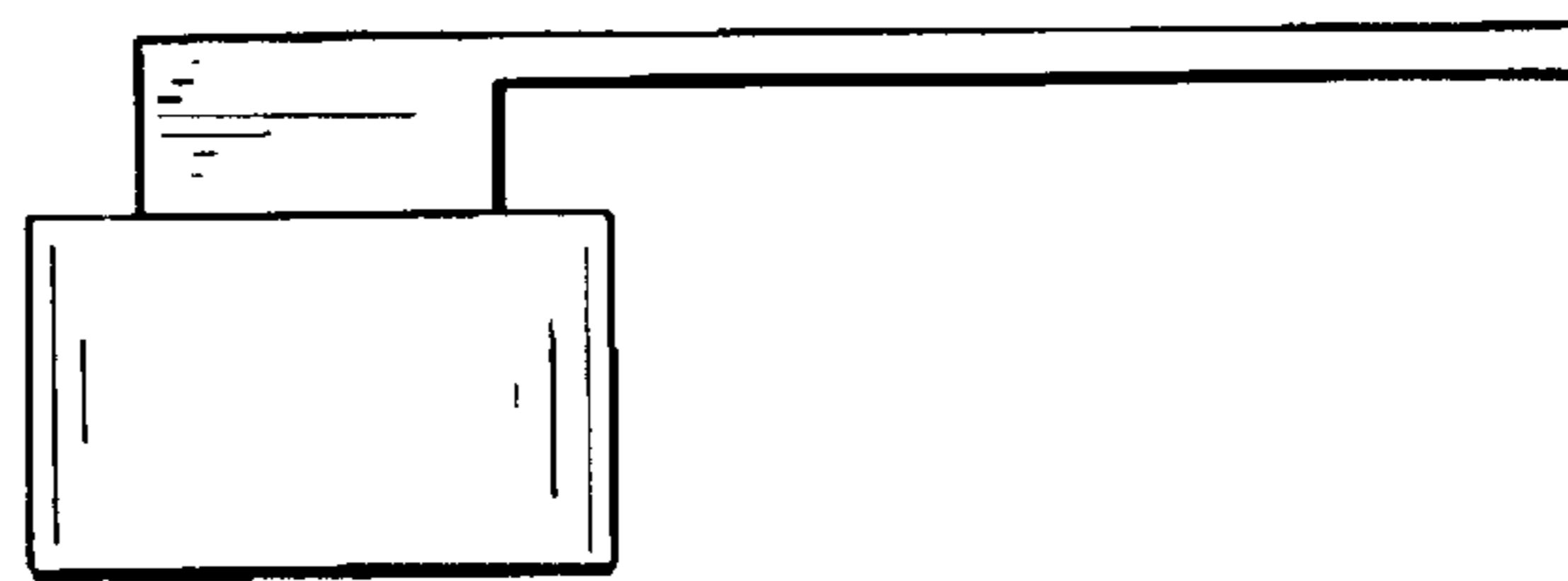


FIG. 10

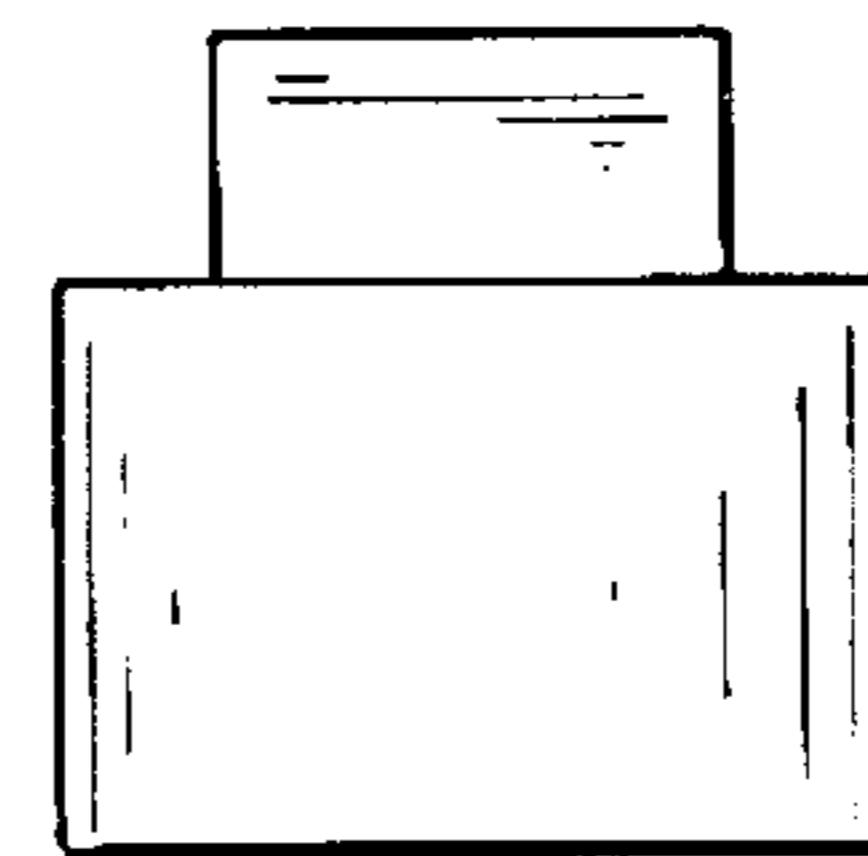
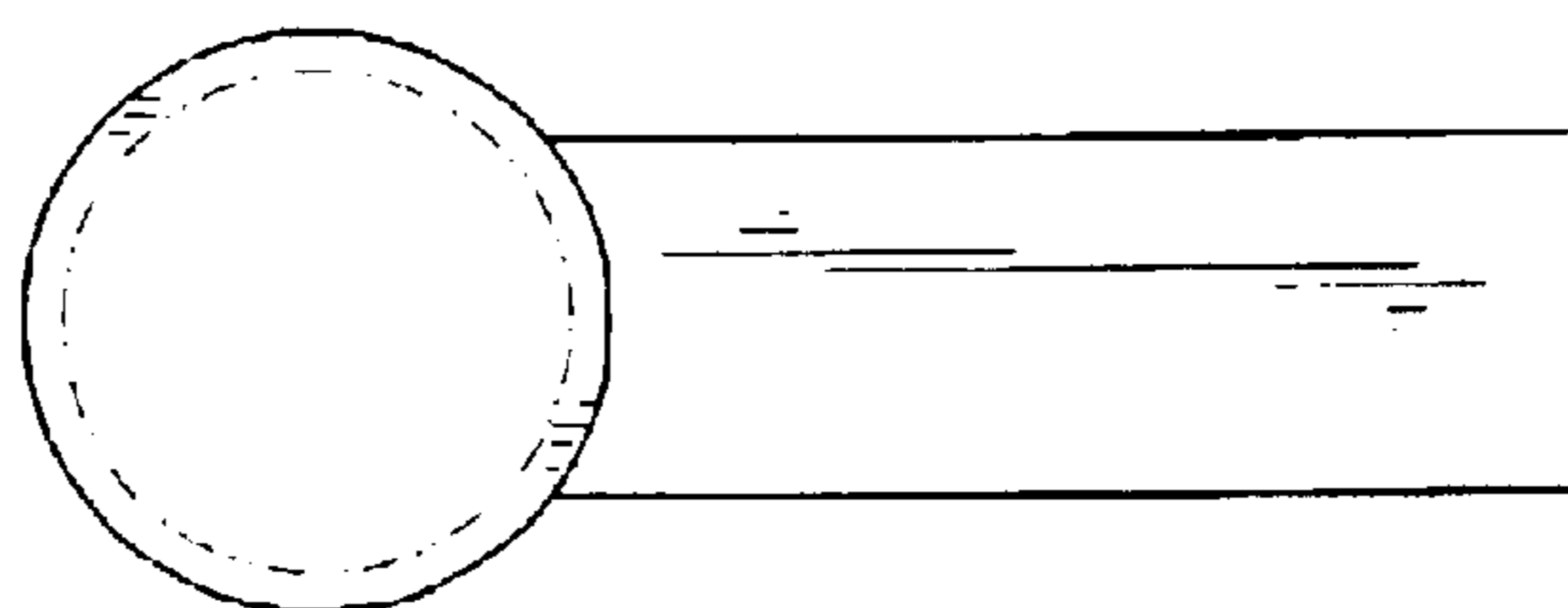


FIG. 11

FIG. 12



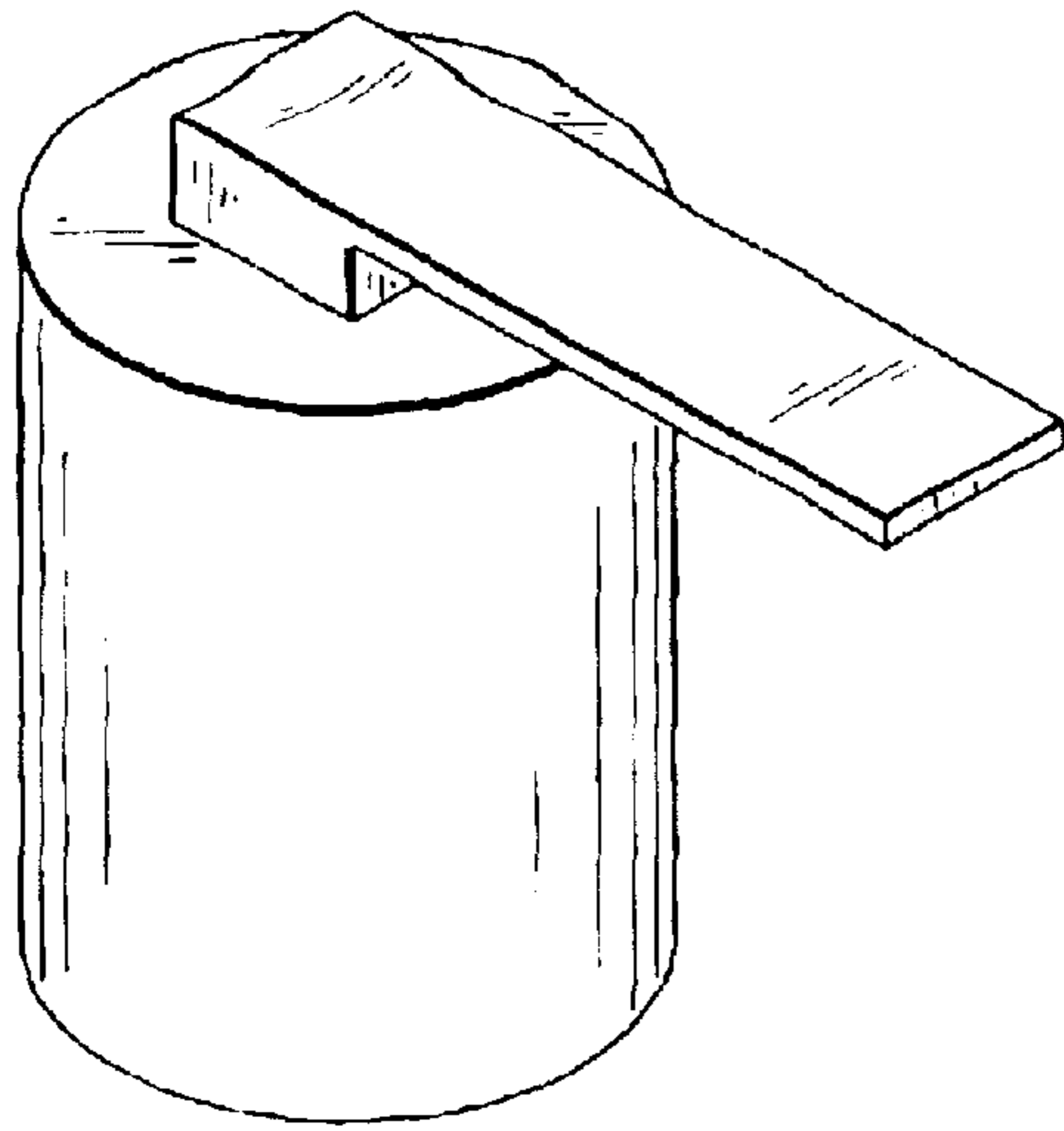


FIG. 13

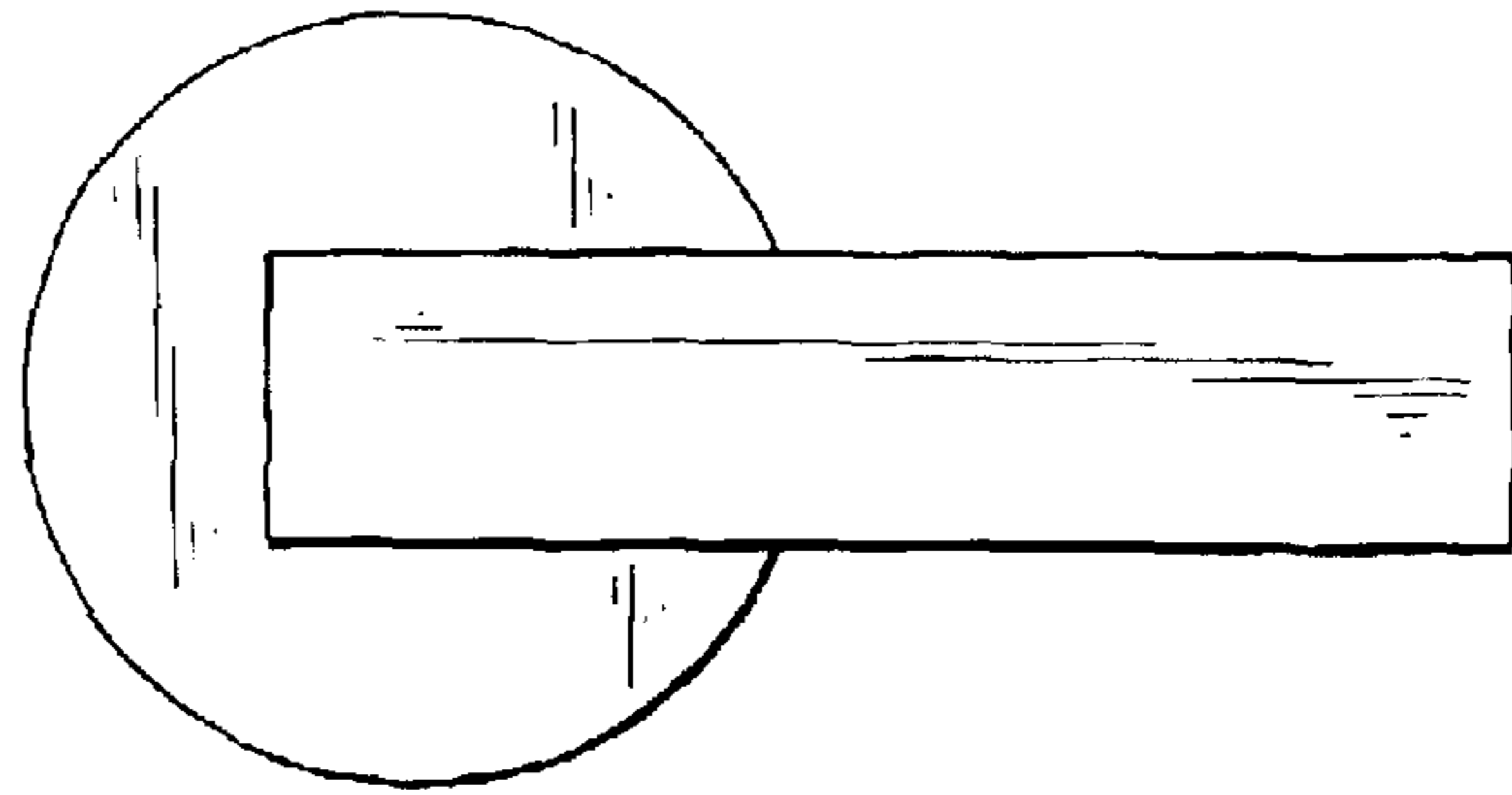


FIG. 14

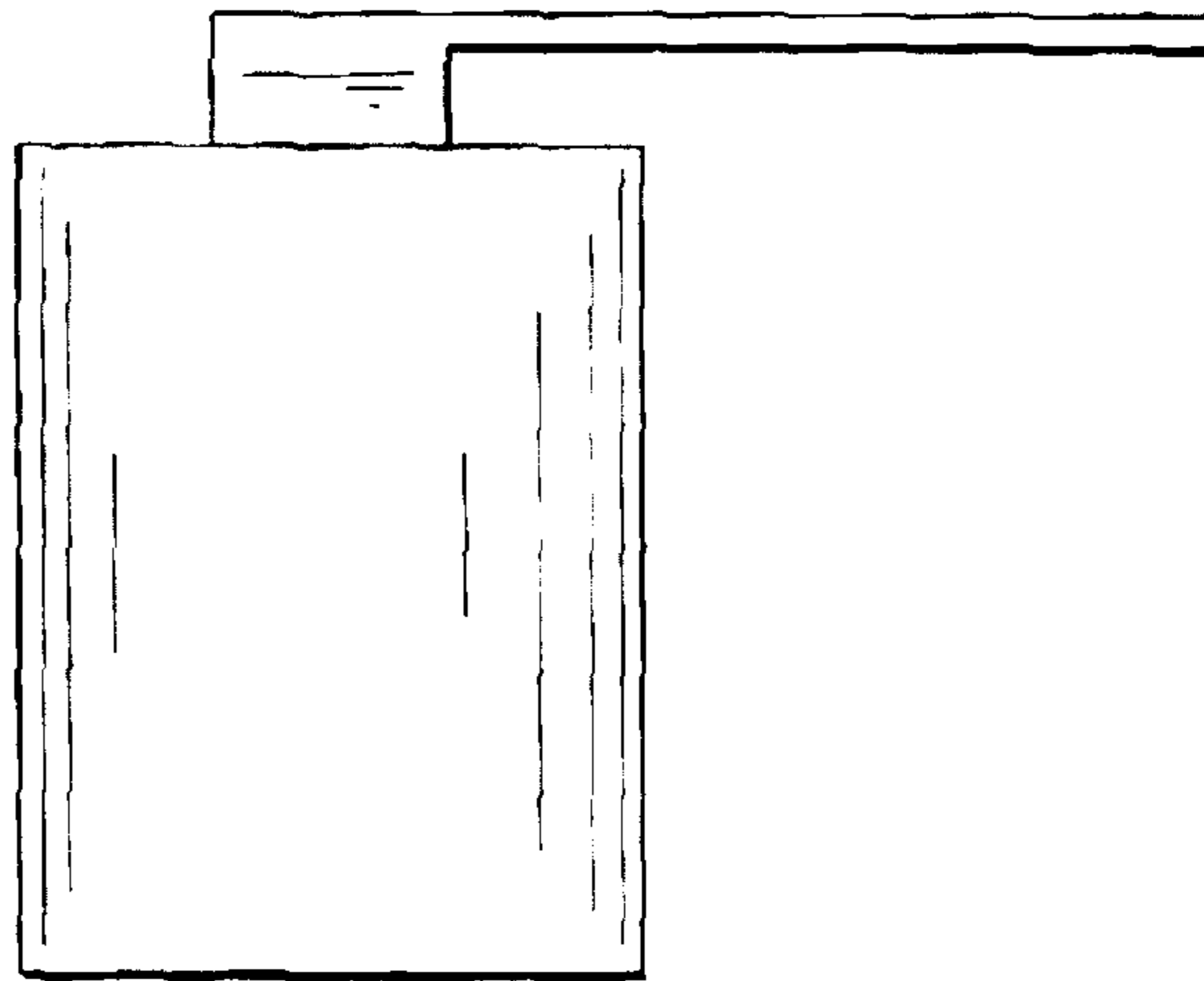


FIG. 15

FIG. 16

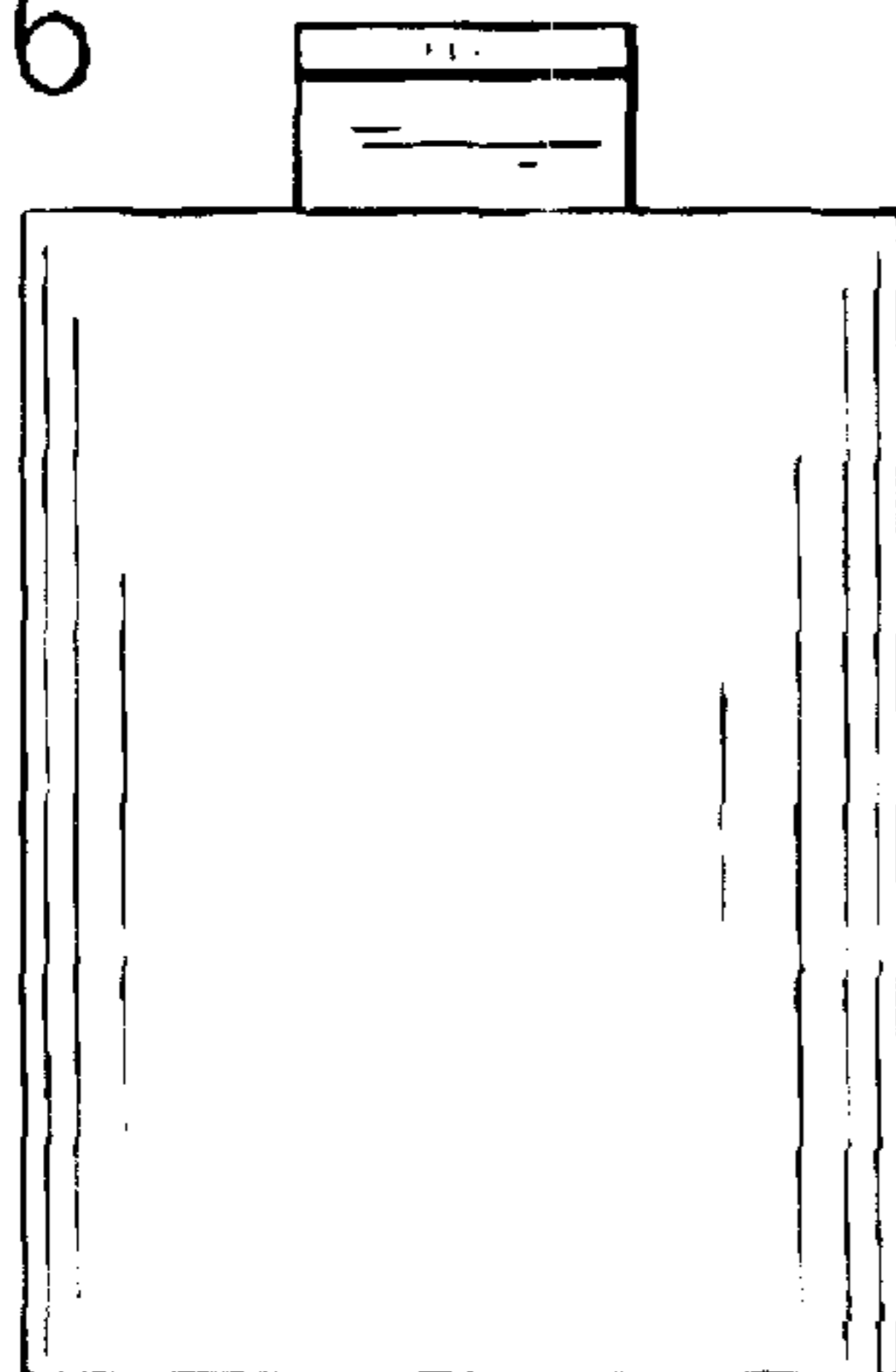


FIG. 17

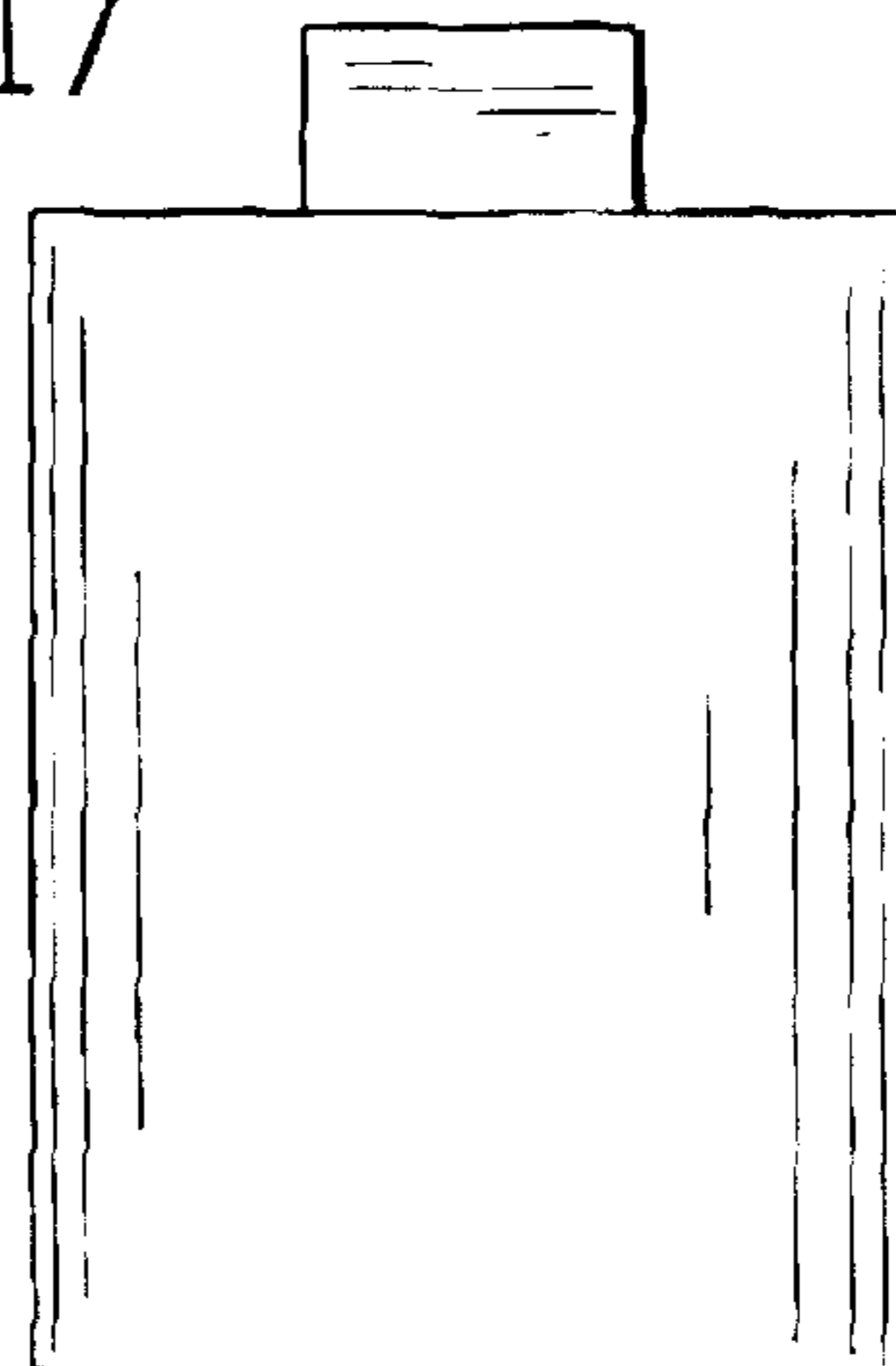


FIG. 18

