

US00D495778S1

(12) **United States Design Patent**  
**Jorgensen et al.**

(10) **Patent No.:** **US D495,778 S**

(45) **Date of Patent:** **\*\* Sep. 7, 2004**

(54) **SHOWER HEAD**

D468,800 S \* 1/2003 Tse ..... D23/213  
D471,953 S \* 3/2003 Colligan et al. .... D23/213

(75) Inventors: **Torben S. Jorgensen**, Copenhagen (DK); **Mikal Harrsen**, Copenhagen (DK)

\* cited by examiner

*Primary Examiner*—Robin V. Taylor

(73) Assignee: **Damixa A/S** (DK)

(74) *Attorney, Agent, or Firm*—Kwadjo Adusei-Poku; Lloyd D. Doigan

(\*\*) Term: **14 Years**

(57) **CLAIM**

(21) Appl. No.: **29/189,817**

The ornamental design for a shower head, as shown and described.

(22) Filed: **Sep. 11, 2003**

**DESCRIPTION**

(51) **LOC (7) Cl.** ..... **23-01**

(52) **U.S. Cl.** ..... **D23/213; D23/229**

(58) **Field of Search** ..... D23/213, 223, D23/229, 230; 239/282, 283, 556, 560

FIG. 1 is a front perspective view of a shower head showing our new design;

FIG. 2 is a front elevational view thereof;

FIG. 3 is right side elevational view thereof, the left side elevational view being a mirror image thereof;

FIG. 4 is a rear elevational view thereof; and,

FIG. 5 is a top plan view thereof.

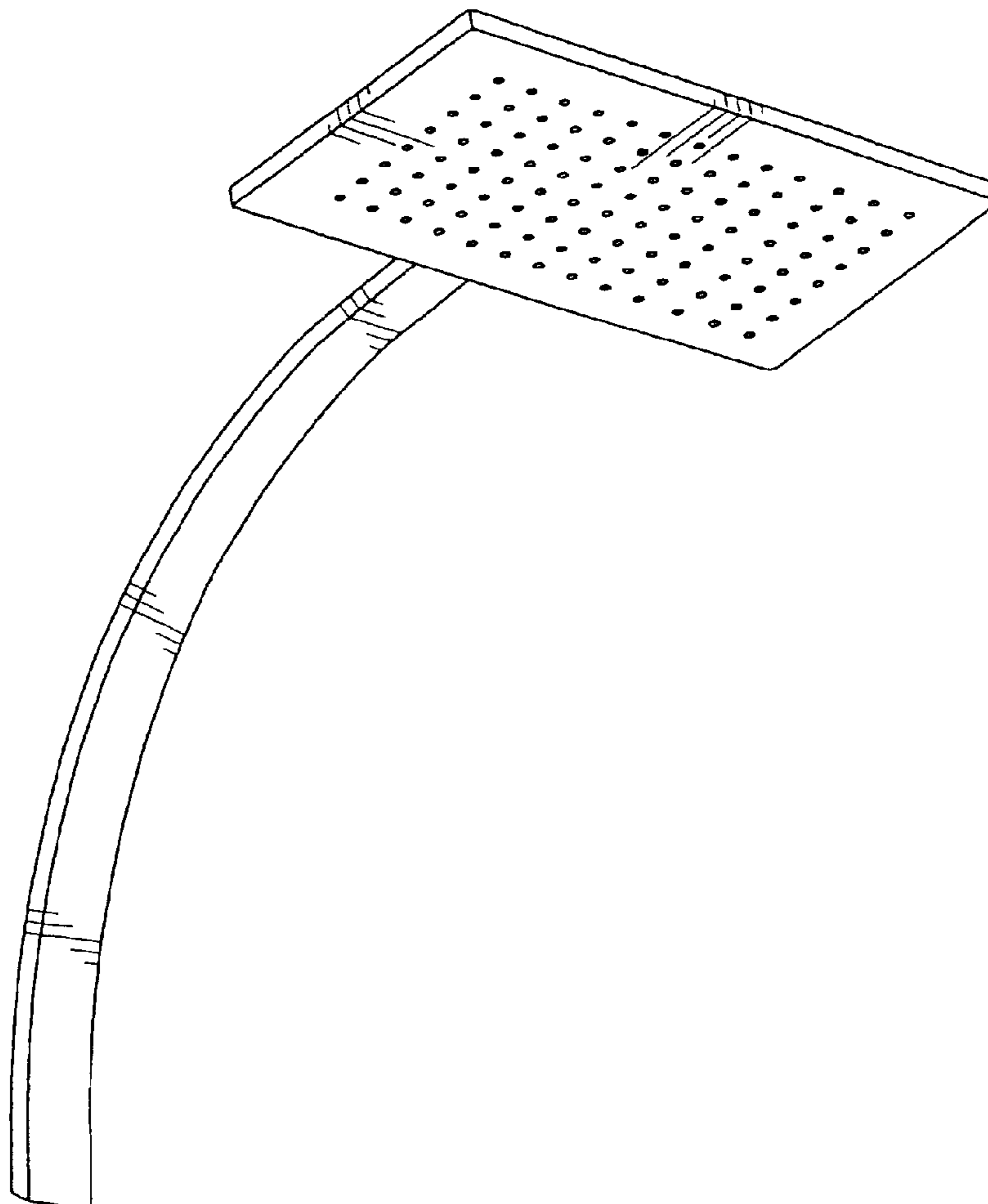
(56) **References Cited**

**U.S. PATENT DOCUMENTS**

D452,897 S \* 1/2002 Gillette et al. .... D23/223

D468,394 S \* 1/2003 Cummings ..... D23/213

**1 Claim, 2 Drawing Sheets**



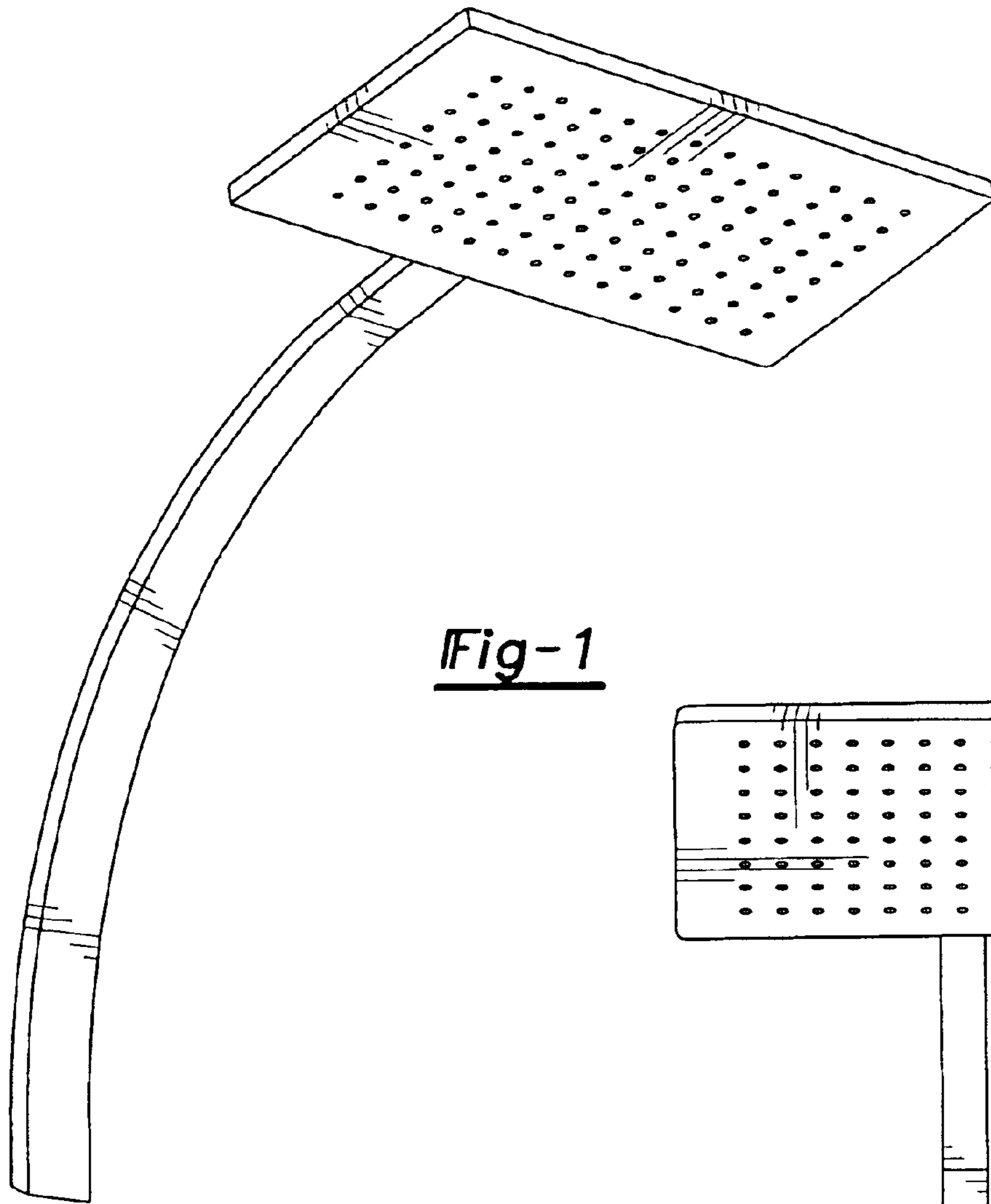


Fig-1

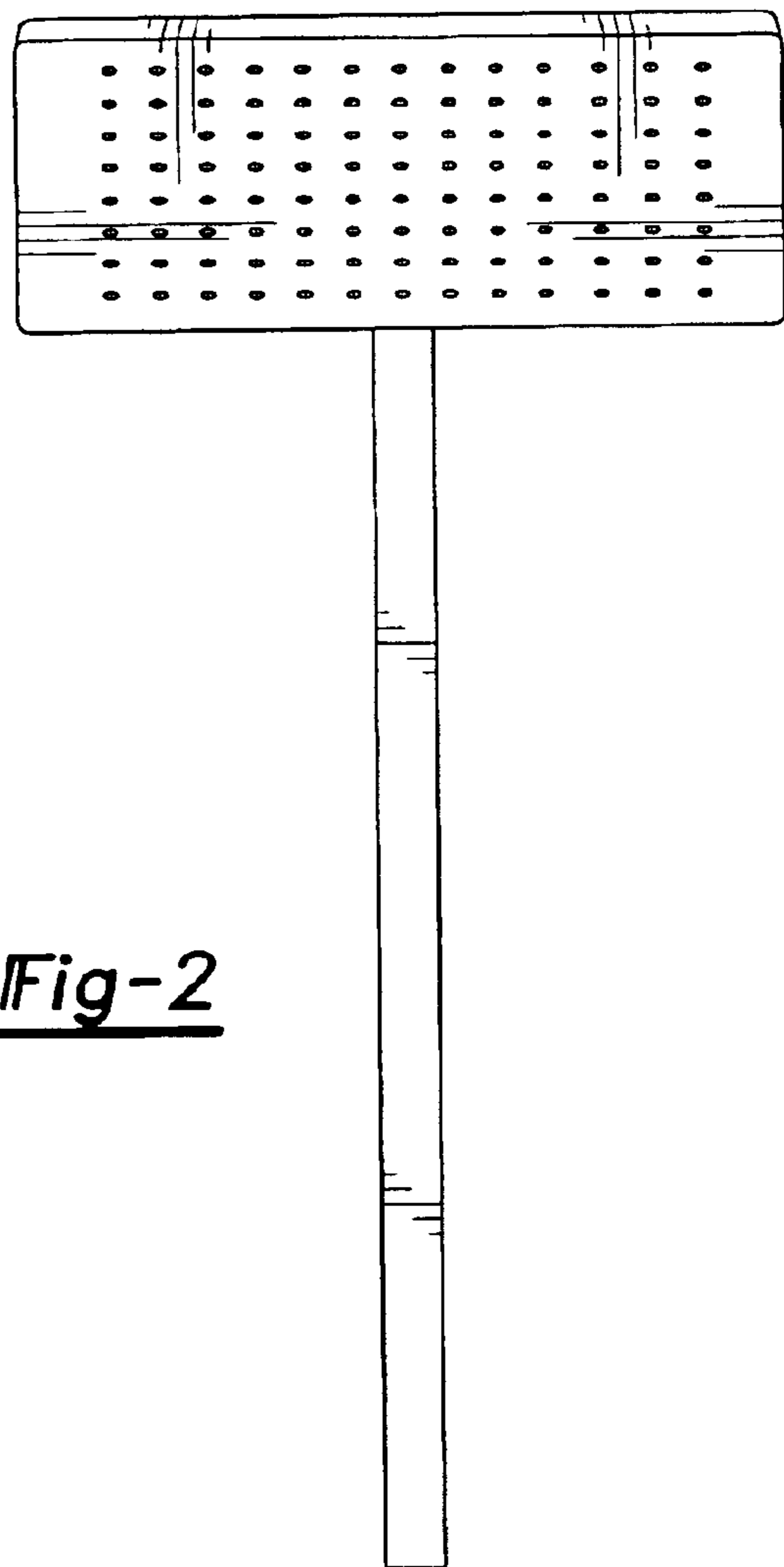


Fig-2

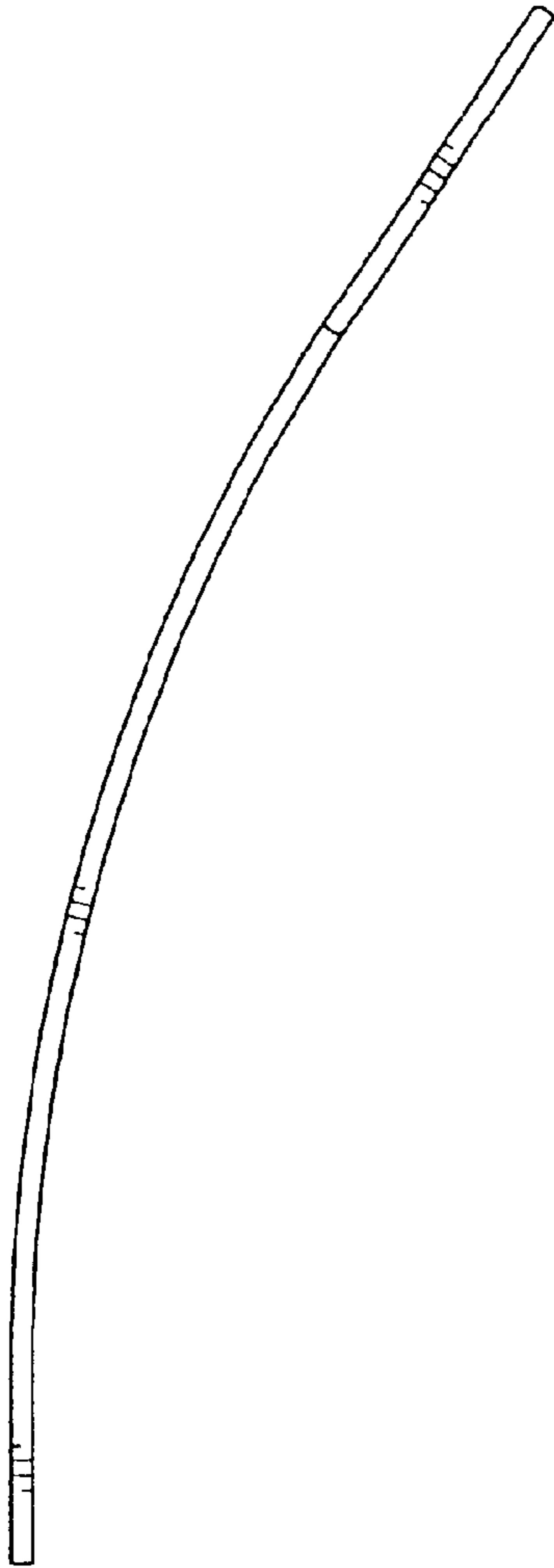


Fig-3

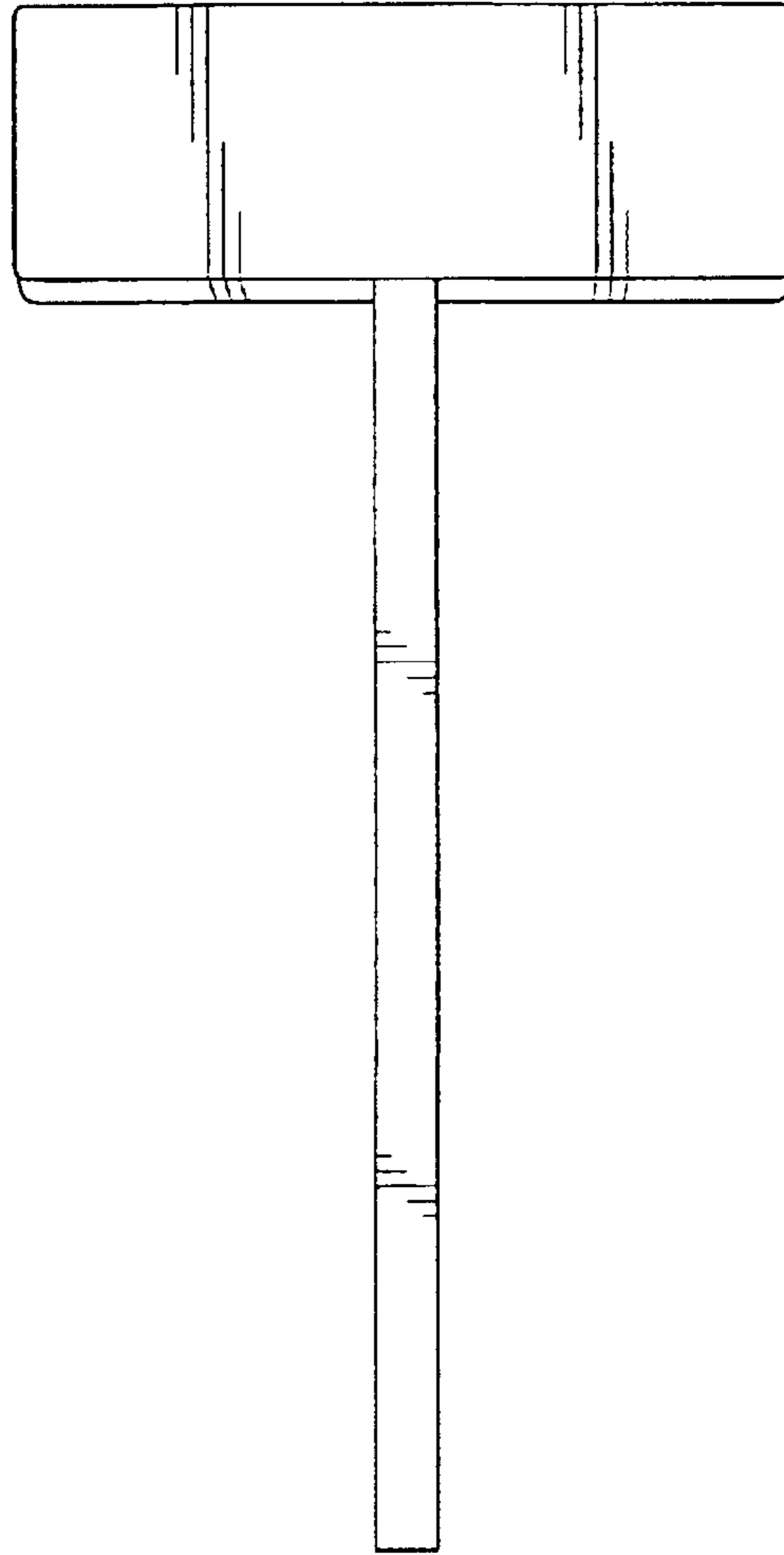


Fig-4

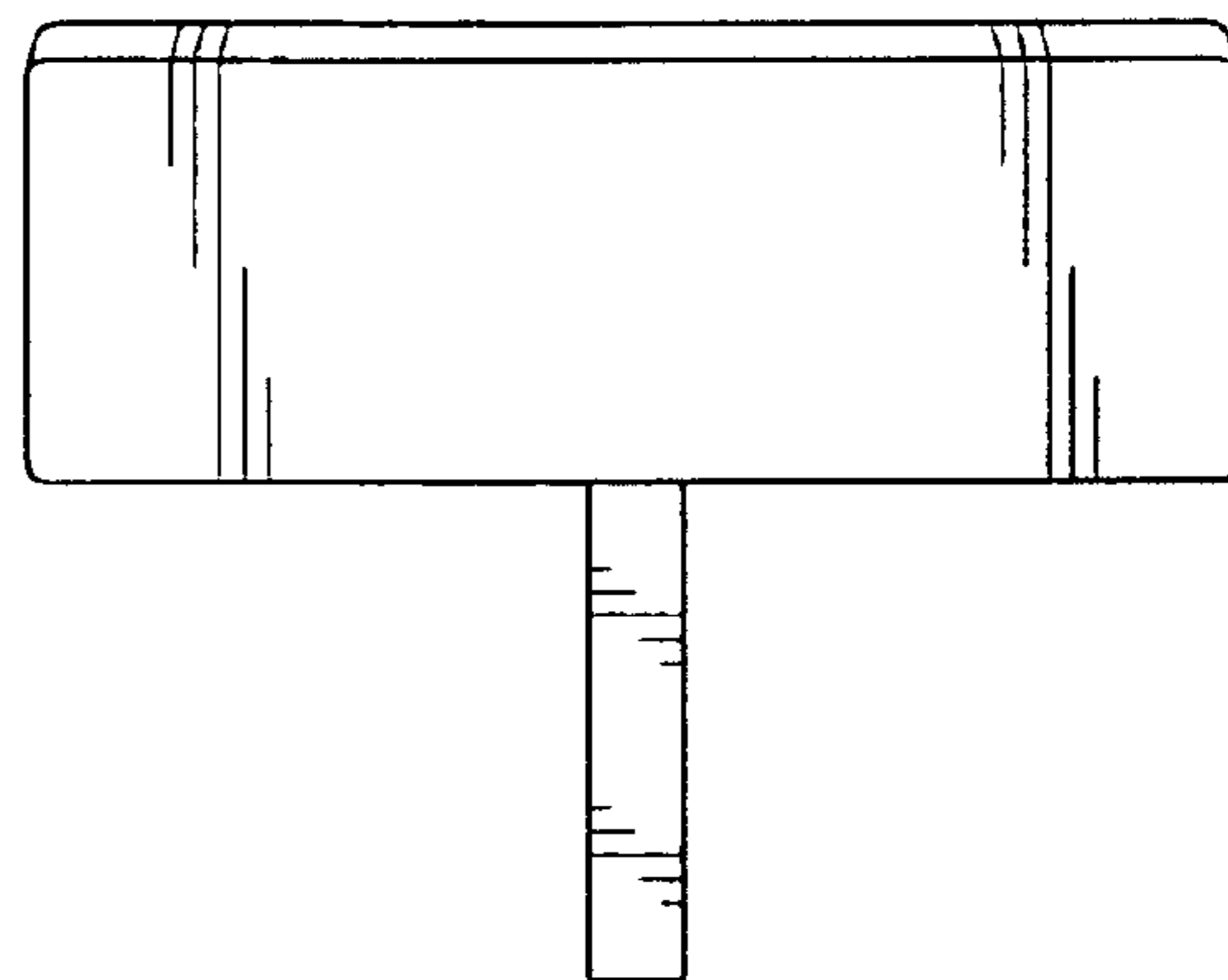


Fig-5