

US00D495777S1

(12) **United States Design Patent**
Aubry et al.

(10) **Patent No.:** **US D495,777 S**
(45) **Date of Patent:** **** Sep. 7, 2004**

(54) **SHOWERHEAD**

DESCRIPTION

- (75) Inventors: **Clodagh Aubry**, New York, NY (US);
Kate Verner, New York, NY (US)
- (73) Assignee: **Ann Sacks Tile and Stone, Inc.**,
Portland, OR (US)
- (**) Term: **14 Years**
- (21) Appl. No.: **29/179,524**
- (22) Filed: **Apr. 10, 2003**
- (51) **LOC (7) Cl.** **23-01**
- (52) **U.S. Cl.** **D23/213**
- (58) **Field of Search** D23/213, 229,
D23/230; 239/587.1, 282, 283; 4/615

In a preferred embodiment, the nature of this product is a rotatable showerhead primarily useful for enabling a water spray from a plumbing fitting.

FIG. 1 is a right, bottom, front perspective view of a showerhead embodying our new design;

FIG. 2 is a top plan view thereof;

FIG. 3 is a bottom plan view thereof;

FIG. 4 is a front elevational view thereof;

FIG. 5 is a right side elevational view thereof;

FIG. 6 is a left side elevational view thereof;

FIG. 7 is a left, bottom, front perspective view of a second embodiment, the top plan view thereof being a mirror image of that shown in FIG. 2, the bottom plan view thereof being a mirror image of that shown in FIG. 3, the front elevational view thereof being a mirror image of that shown in FIG. 4, the left side elevational view thereof being a mirror image of that shown in FIG. 5, and the right side elevational view thereof being a mirror image of that shown in FIG. 6; and, FIG. 8 is a right, bottom, front perspective view of the first embodiment showing the rotatable showerhead in a different position.

The broken line representation of an escutcheon in FIGS. 1-8 is for the purpose of illustration only; and forms no part of the claimed design.

(56) **References Cited**

U.S. PATENT DOCUMENTS

D215,288 S	*	9/1969	Theblay	D23/230
D243,609 S	*	3/1977	Mono et al.	D23/223
D484,569 S	*	12/2003	Douglas	D23/213
D488,207 S	*	4/2004	Marshall	D23/213

* cited by examiner

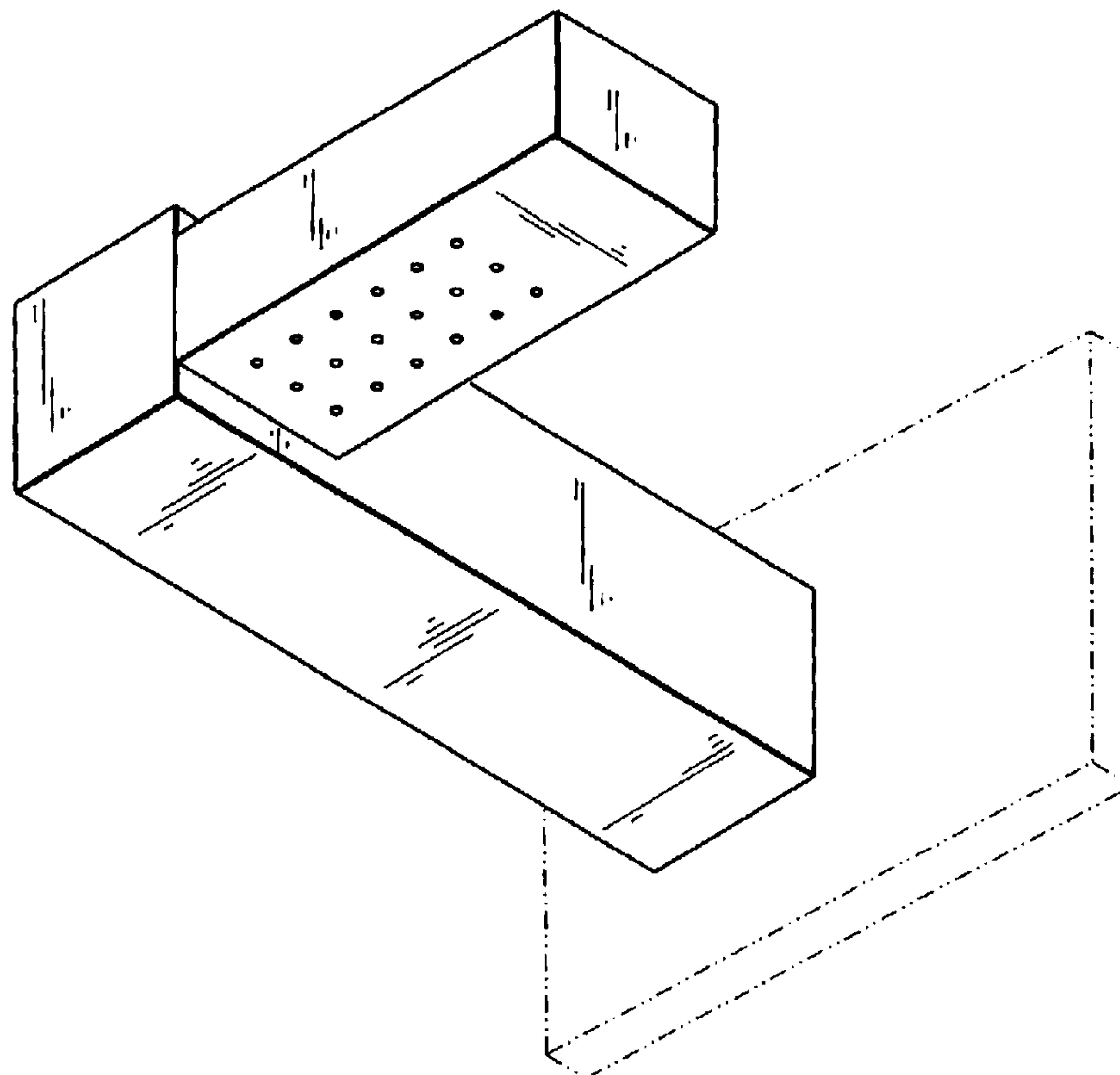
Primary Examiner—Robin V. Taylor

(74) *Attorney, Agent, or Firm*—Quarles & Brady LLP

(57) **CLAIM**

The ornamental design for a showerhead, as shown and described.

1 Claim, 3 Drawing Sheets



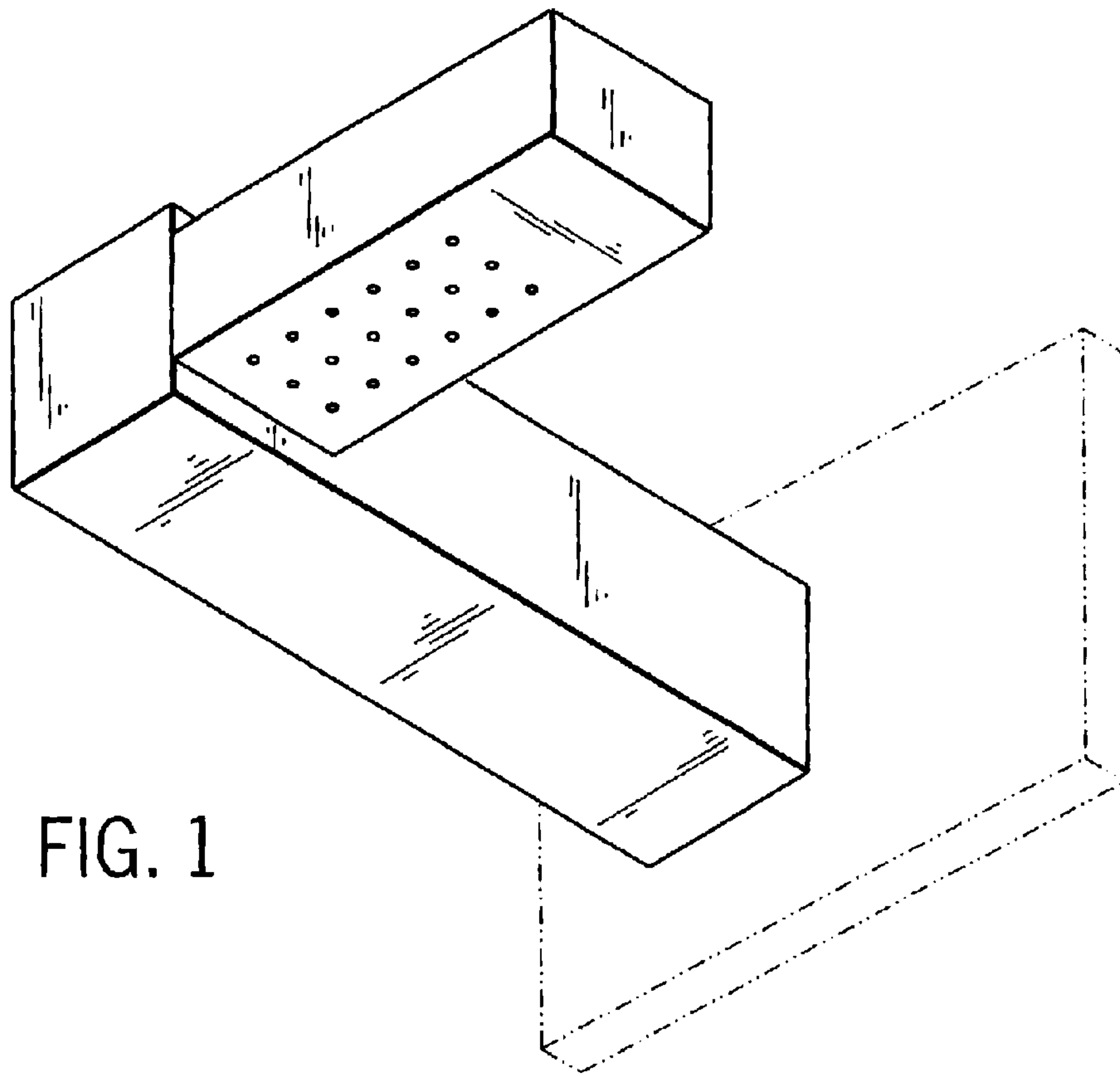


FIG. 1

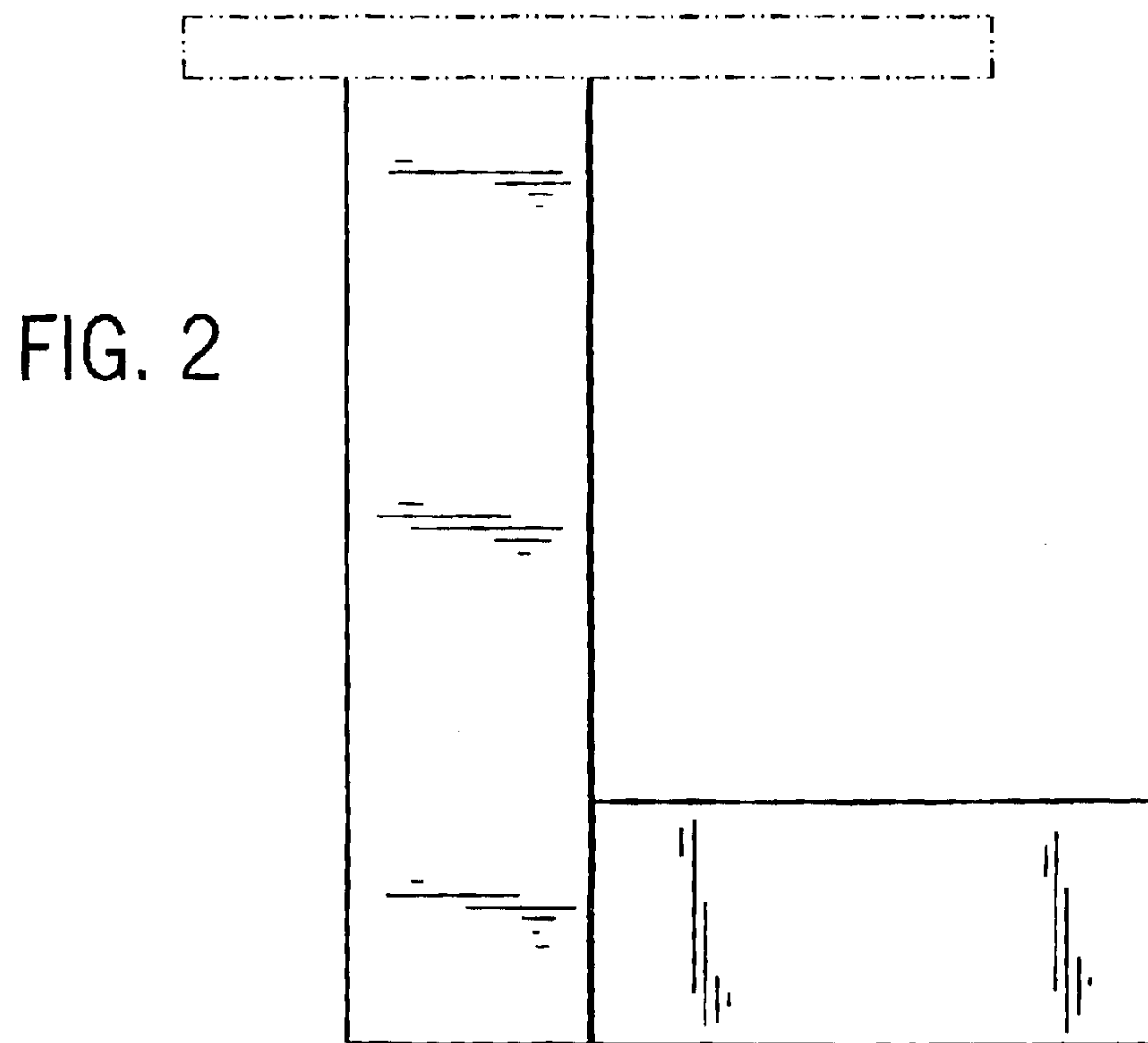


FIG. 2

FIG. 3

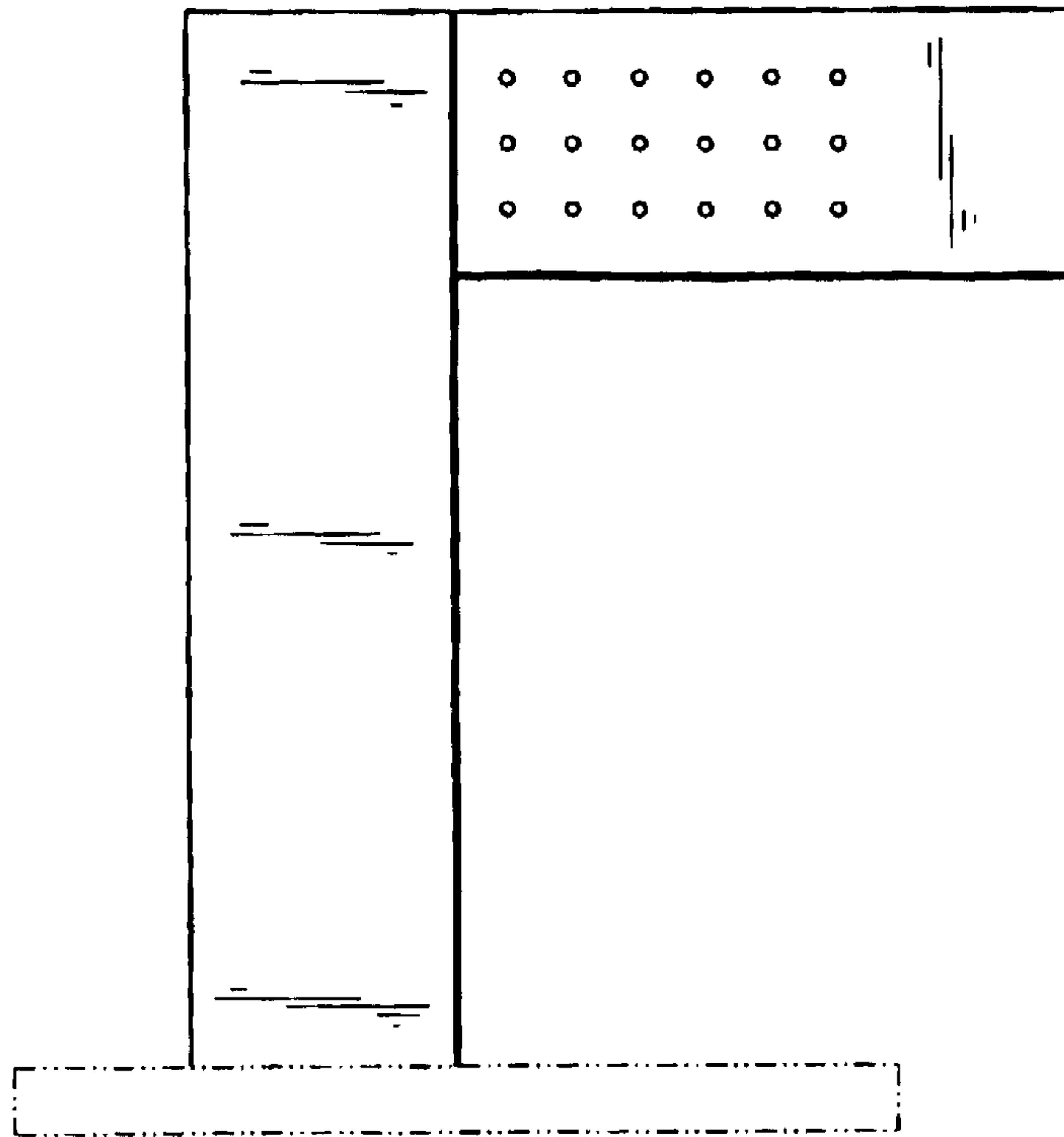


FIG. 4

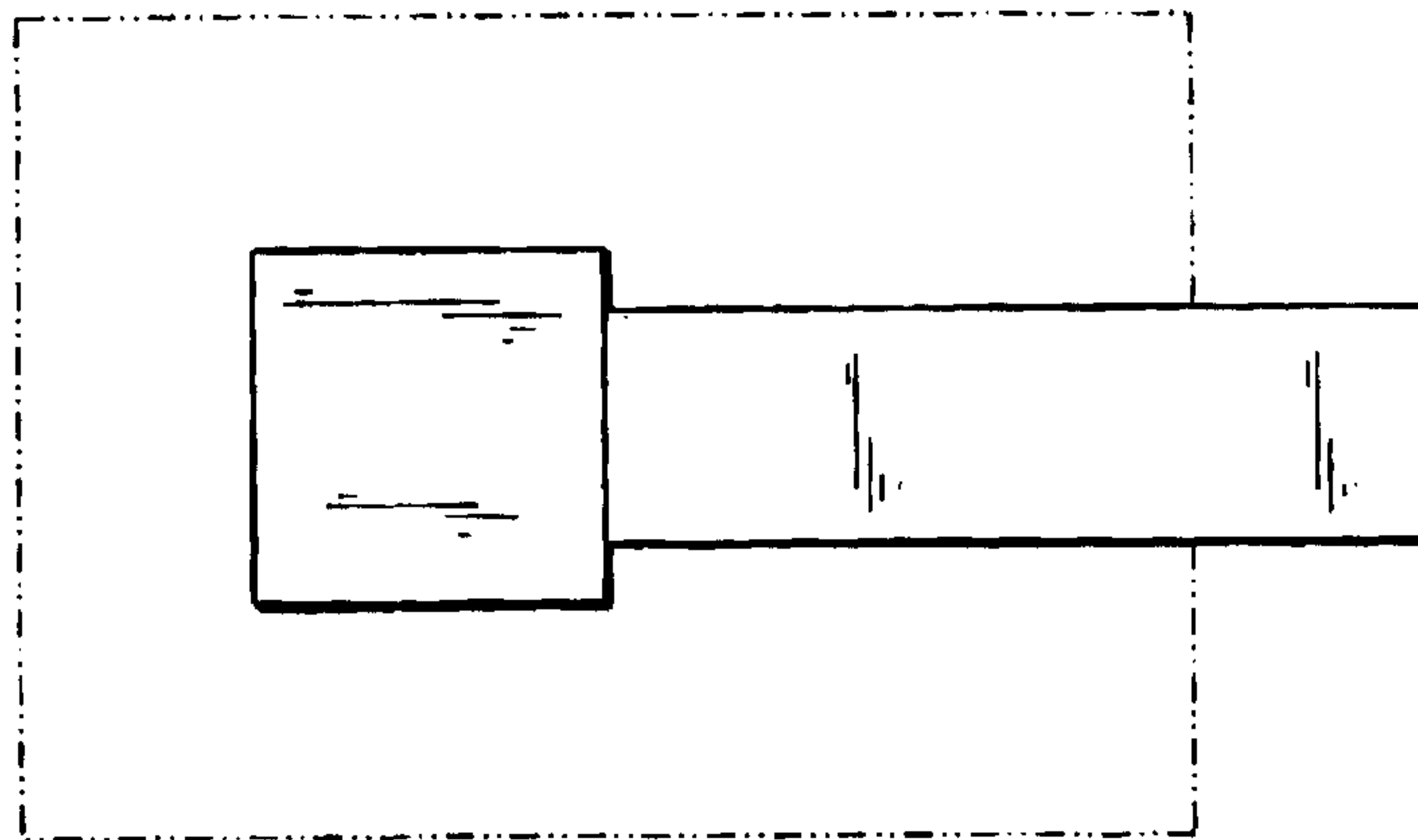
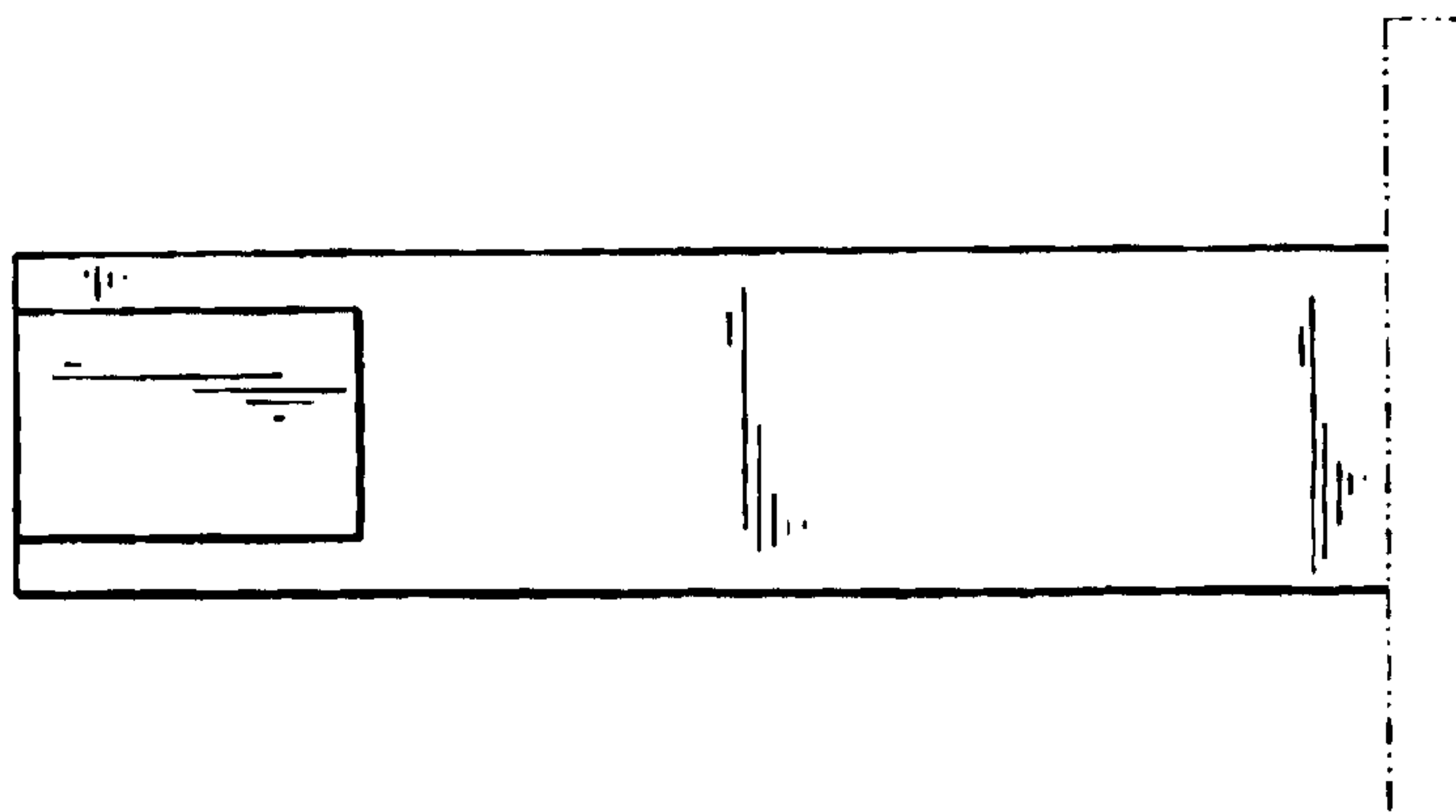


FIG. 5



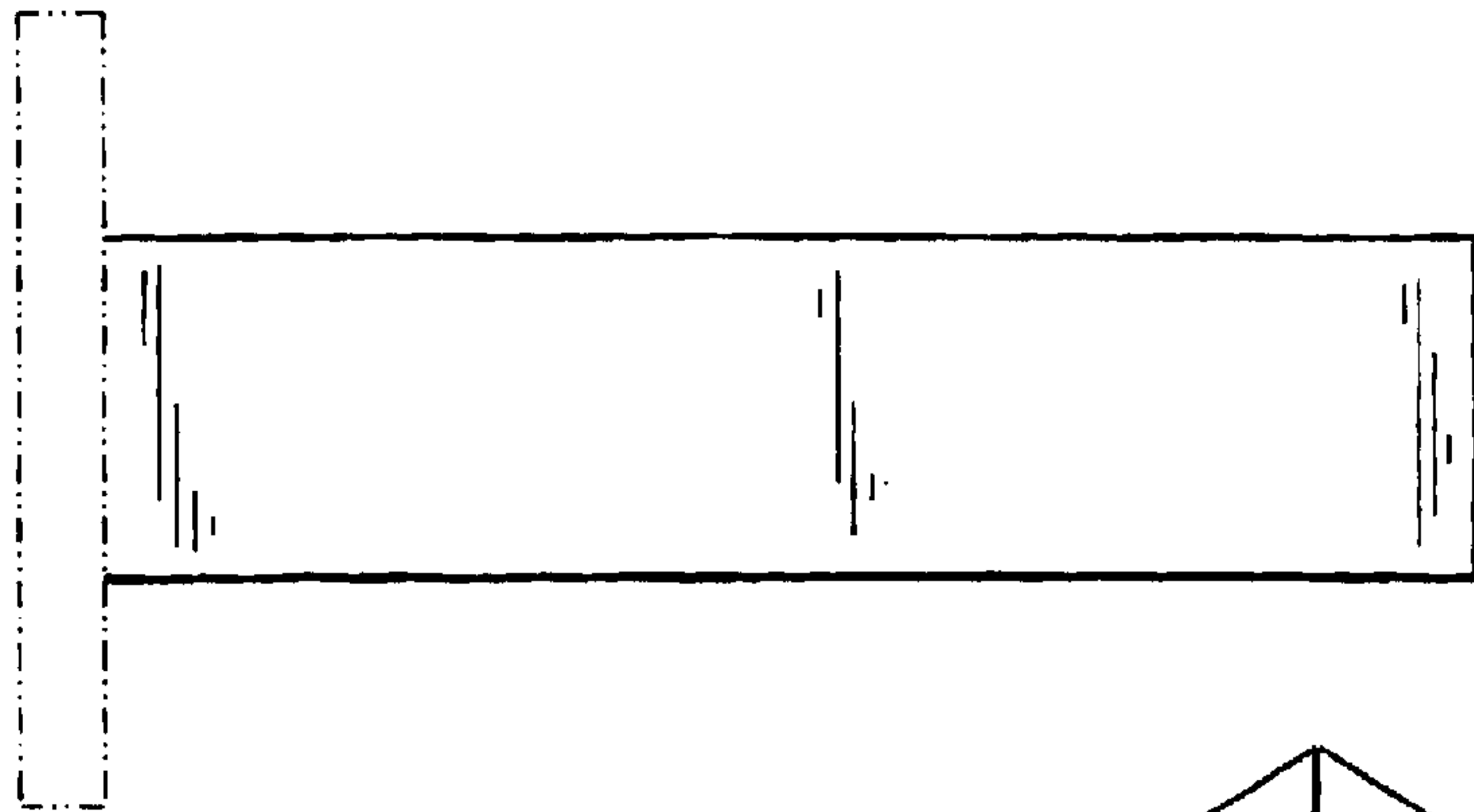


FIG. 6

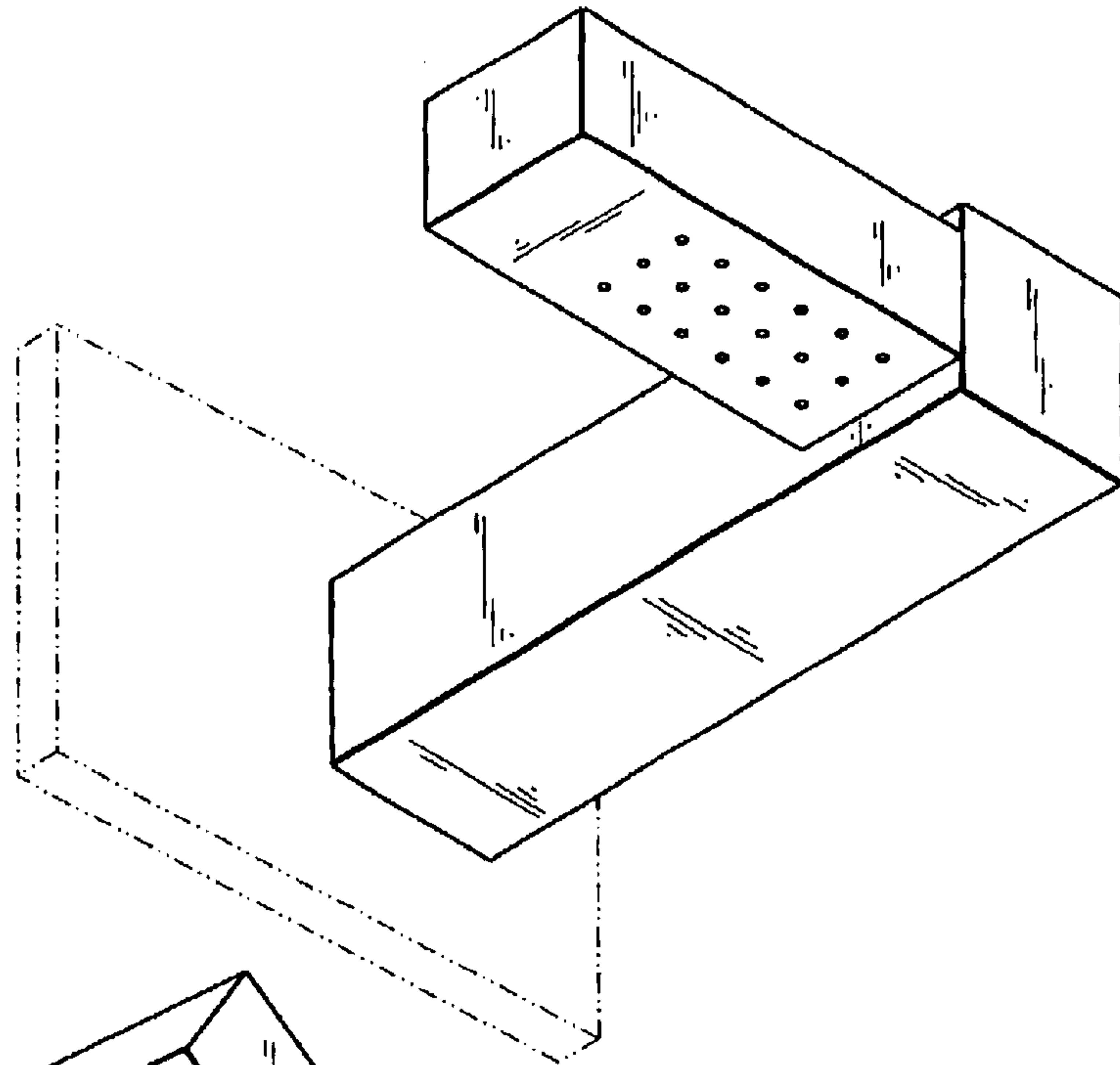


FIG. 7

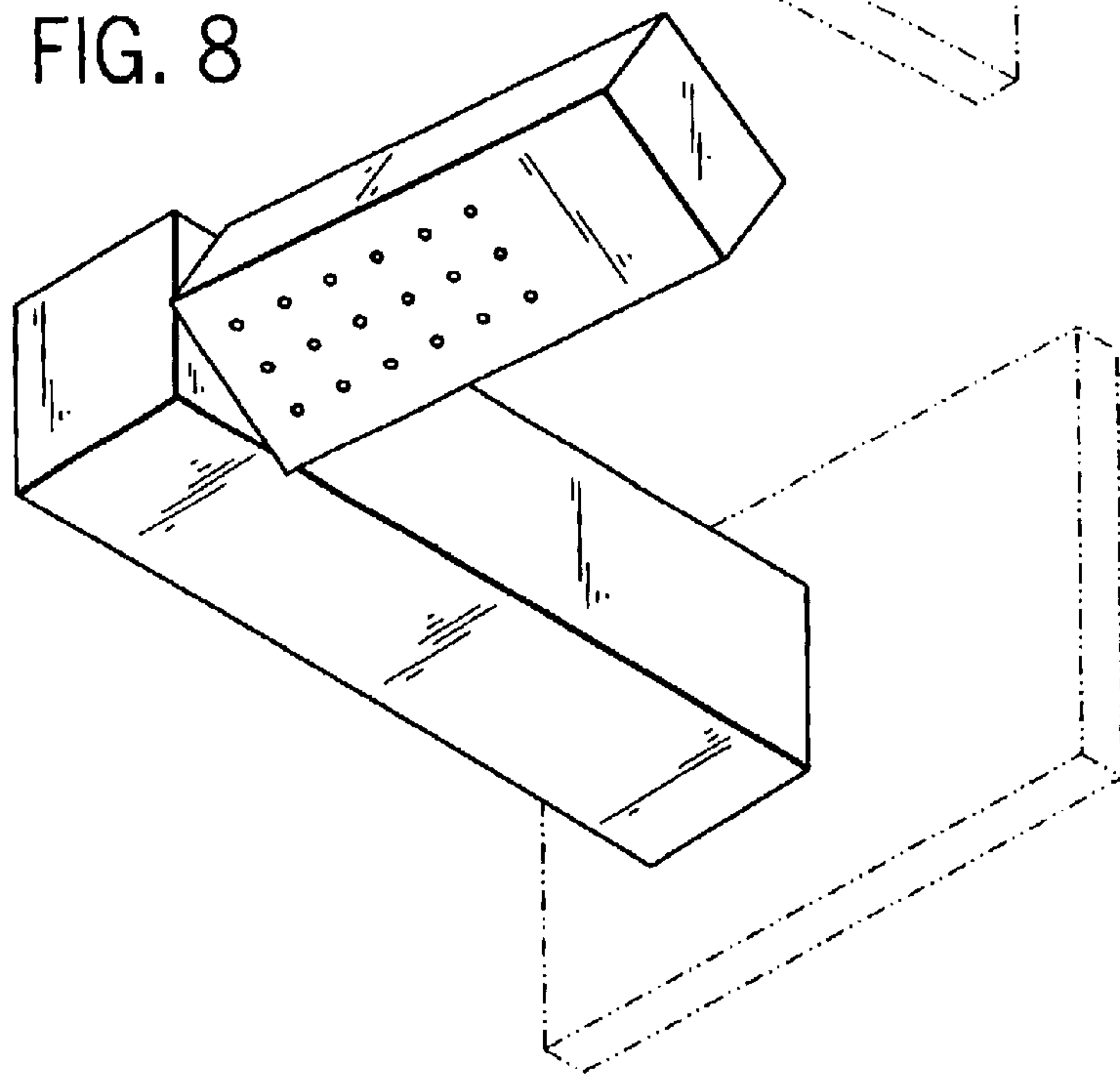


FIG. 8