

US00D495773S1

(12) **United States Design Patent** (10) **Patent No.:** **US D495,773 S**  
**Duston et al.** (45) **Date of Patent:** **\*\* Sep. 7, 2004**

(54) **OUTDOOR INSECT BAIT STATION**

(75) Inventors: **Tyler D. Duston**, Evanston, IL (US);  
**David O. Brower**, Racine, WI (US);  
**Scott W. Demarest**, Caledonia, WI  
(US); **Steven B. Mineau**, Waterford,  
WI (US)

(73) Assignee: **S. C. Johnson & Son, Inc.**, Racine, WI  
(US)

(\*\*) Term: **14 Years**

(21) Appl. No.: **29/190,285**

(22) Filed: **Sep. 19, 2003**

(51) **LOC (7) Cl.** ..... **22-06**

(52) **U.S. Cl.** ..... **D22/122**

(58) **Field of Search** ..... D22/119-125;  
43/1, 58, 60, 107, 131, 132.1, 112-113,  
124; 248/530, 156, 545

(56) **References Cited**

**U.S. PATENT DOCUMENTS**

2,837,861 A	6/1958	Graham, Sr. ....	43/131
4,277,907 A	7/1981	Ernest .....	43/131
4,485,582 A	12/1984	Morris .....	43/131
5,325,626 A	7/1994	Jackson .....	43/124
D349,746 S	* 8/1994	DeYoreo .....	D22/122
5,746,021 A	5/1998	Green .....	43/131
5,918,410 A	7/1999	Knuppel .....	43/131
6,164,010 A	12/2000	Snell et al. ....	43/121
6,219,960 B1	4/2001	Contadini et al. ....	43/121

6,298,597 B1	10/2001	Koehler et al. ....	43/131
D456,058 S	* 4/2002	Rollins .....	D22/122
6,401,384 B1	6/2002	Contadini et al. ....	43/132.1
6,467,216 B2	10/2002	McManus et al. ....	43/131
6,474,016 B2	11/2002	Snell et al. ....	43/131
D467,635 S	* 12/2002	Andrews et al. ....	D22/122
6,497,070 B1	12/2002	Snell et al. ....	43/131
6,606,816 B2	* 8/2003	Oi et al. ....	43/131
2002/0124458 A1	* 9/2002	Clark .....	43/124
2002/0157302 A1	10/2002	Oi et al. ....	43/131
2002/0194774 A1	12/2002	Lund et al. ....	43/131
2003/0029076 A1	2/2003	Snell et al. ....	43/131

\* cited by examiner

*Primary Examiner*—Catherine R. Oliver

(57) **CLAIM**

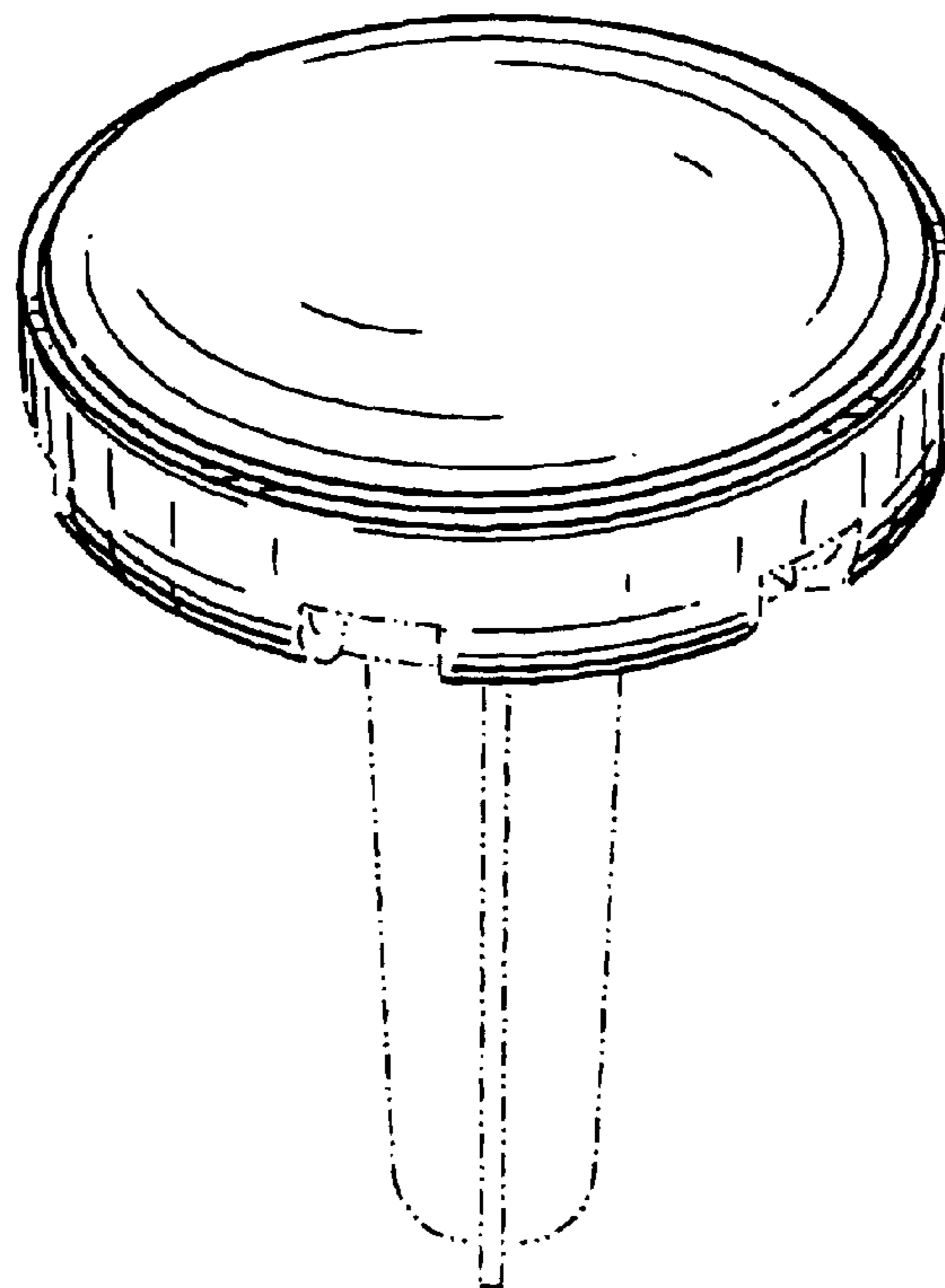
The ornamental design for an outdoor insect bait station, as shown and described.

**DESCRIPTION**

FIG. 1 is a perspective view from above of an outdoor insect bait station showing our new design; FIG. 2 is a perspective view from below thereof; FIG. 3 is a side elevational view thereof; FIG. 4 is a side elevational view thereof rotated 90° with respect to the view in FIG. 3; FIG. 5 is a top plan view thereof; and, FIG. 6 is a bottom plan view thereof.

The broken line showing of environment in the drawings is for illustrative purposes only and forms no part of the claimed design.

**1 Claim, 3 Drawing Sheets**



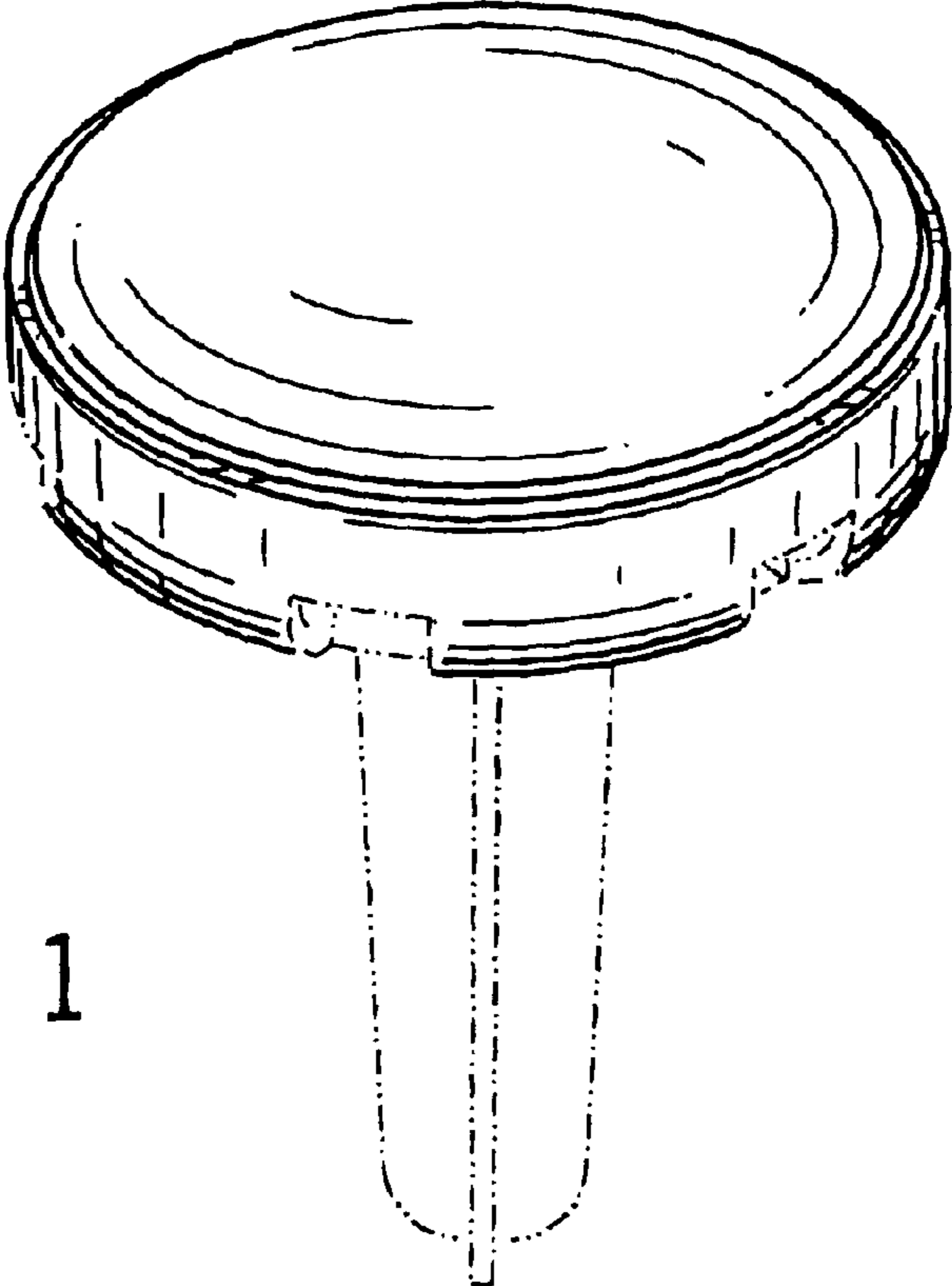


FIG. 1

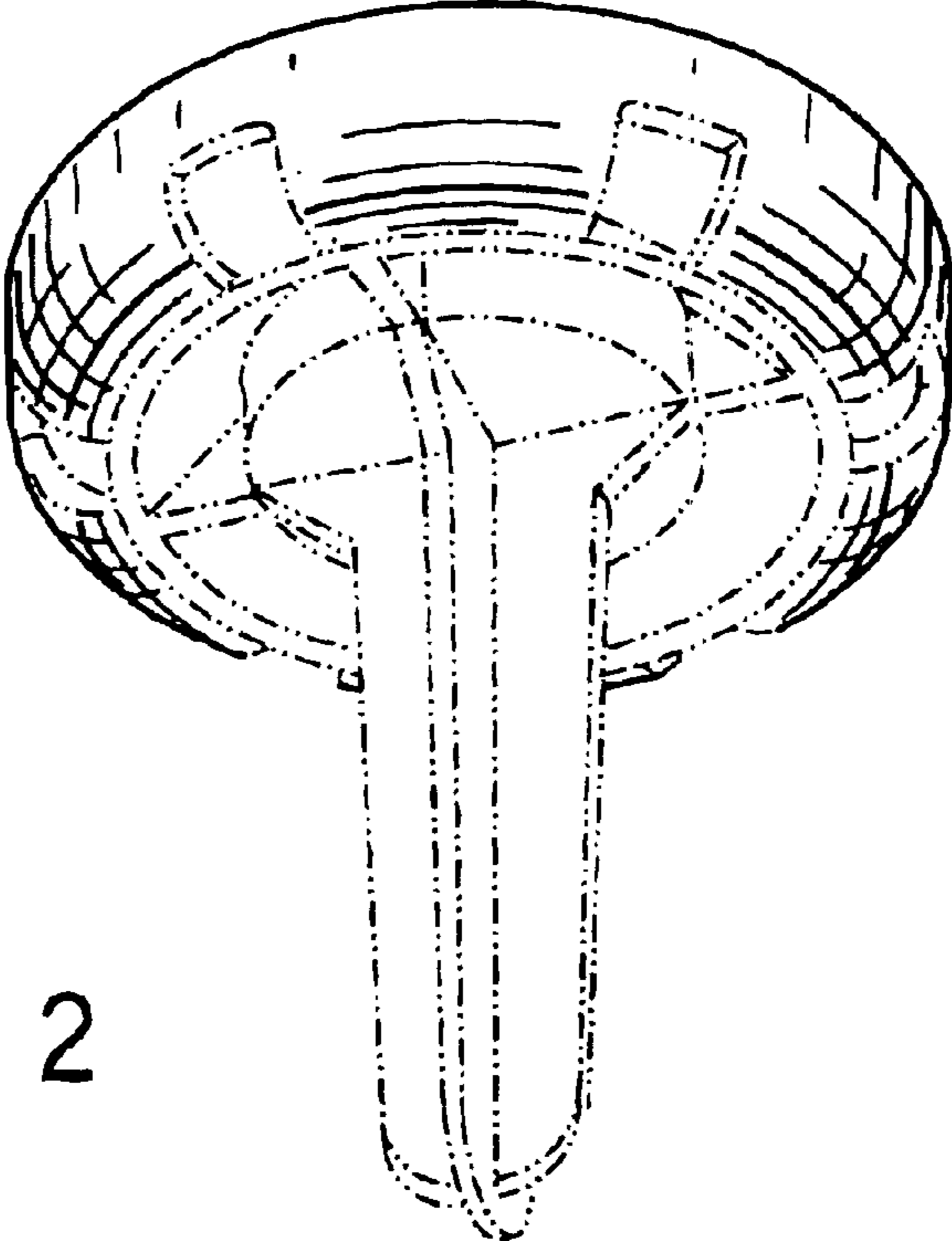


FIG. 2

FIG. 3

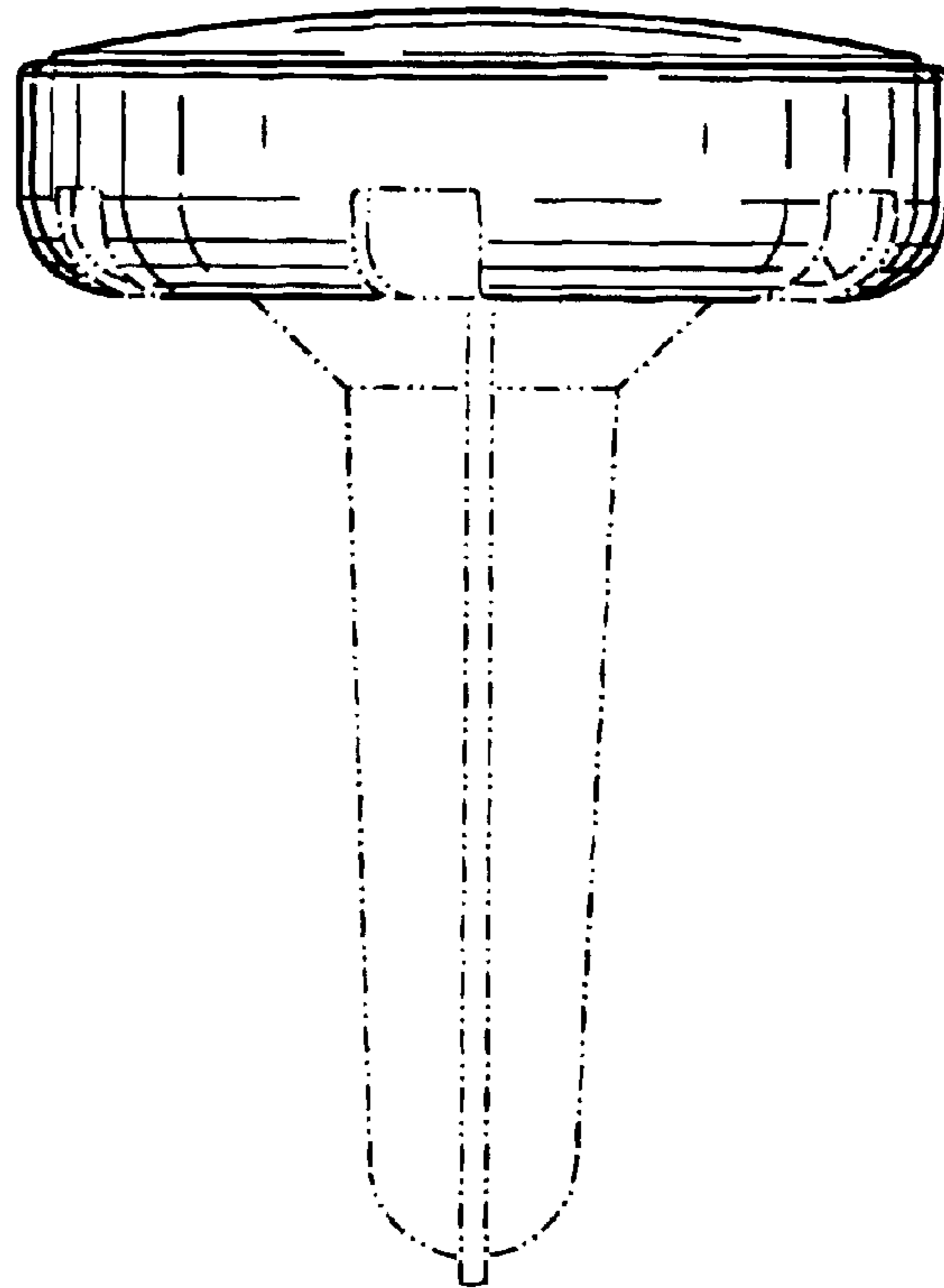
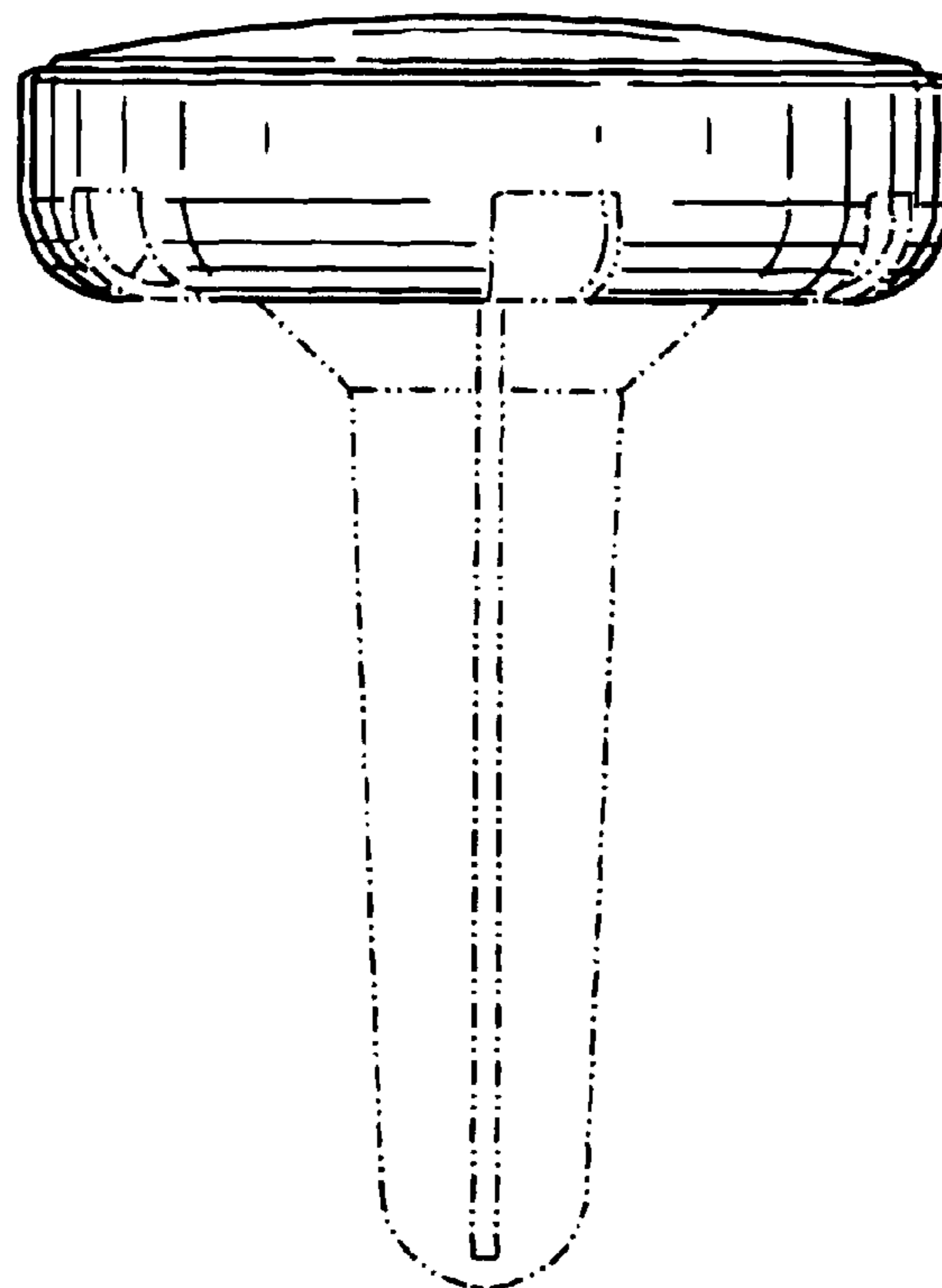


FIG. 4



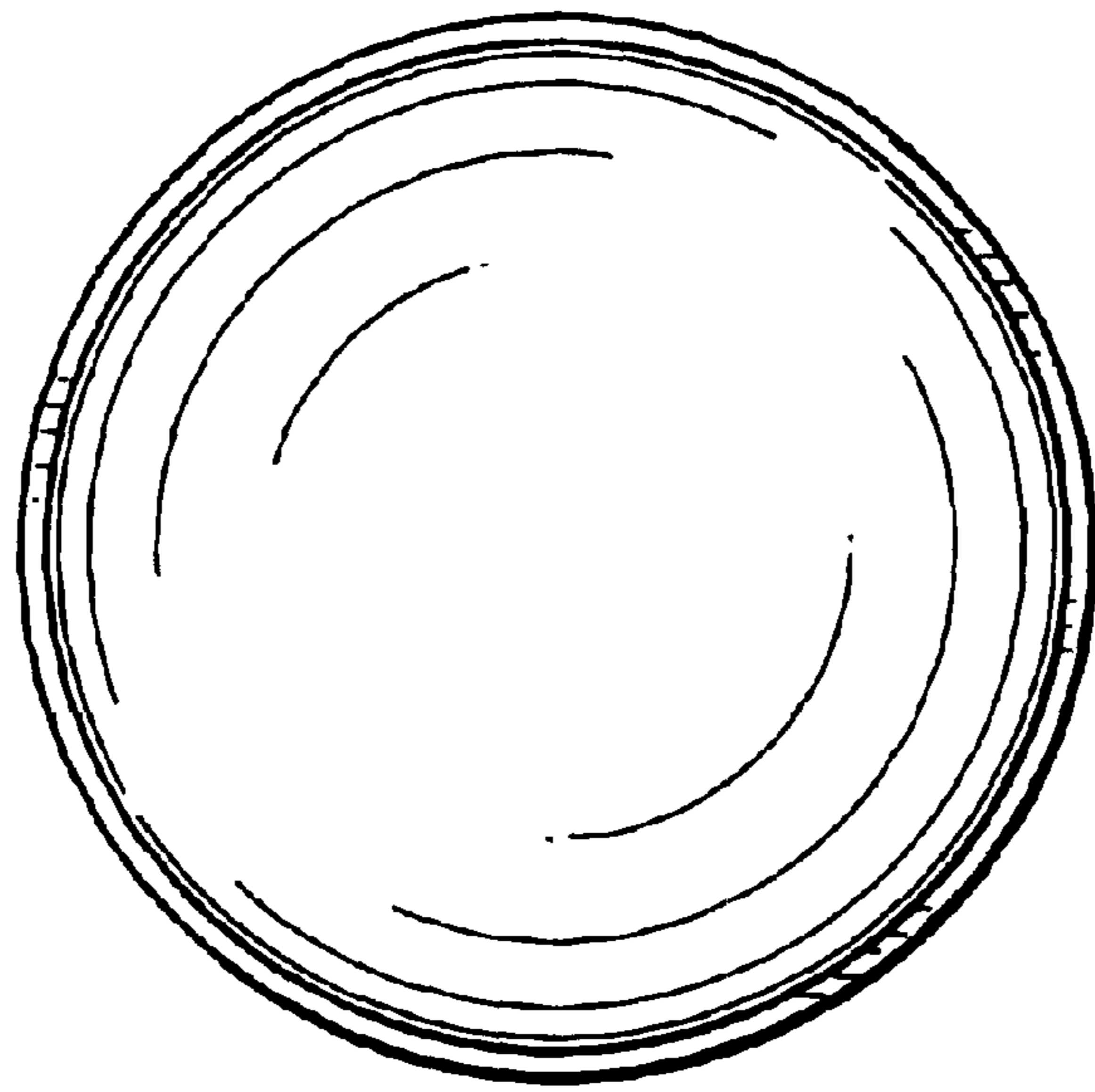


FIG. 5

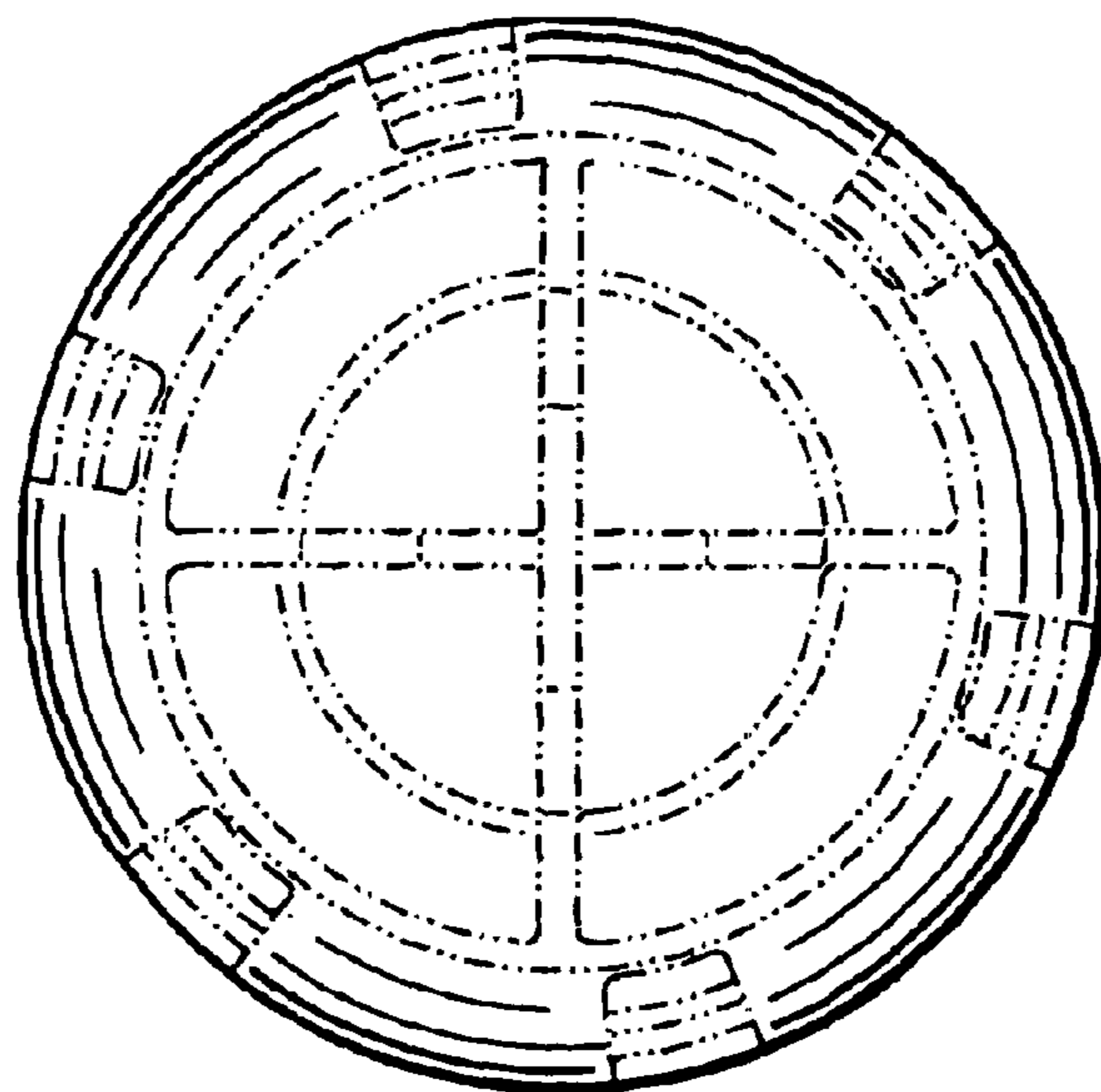


FIG. 6