

US00D495771S1

(12) **United States Design Patent**
Tracy

(10) **Patent No.:** **US D495,771 S**

(45) **Date of Patent:** **** Sep. 7, 2004**

(54) **CLIMBING STRUCTURE**

(76) **Inventor:** **Wyeth Tracy**, 591 Albright Road,
Uxbridge, Ontario (CA), L9P1R4

(**) **Term:** **14 Years**

(21) **Appl. No.:** **29/188,291**

(22) **Filed:** **Aug. 18, 2003**

(51) **LOC (7) Cl.** **21-03**

(52) **U.S. Cl.** **D21/826**

(58) **Field of Search** D21/818-827;
482/35, 36

(56) **References Cited**

U.S. PATENT DOCUMENTS

- D189,581 S * 1/1961 Williams et al. D21/818
- D344,773 S * 3/1994 Aker et al. D21/818
- D361,614 S * 8/1995 Aker et al. D21/821
- D367,911 S * 3/1996 van Huystee D21/818

- D377,075 S * 12/1996 Temple et al. D21/818
- D468,386 S * 1/2003 Frank D21/818
- D481,094 S * 10/2003 Van Deusen D21/820

* cited by examiner

Primary Examiner—Mitchell Siegel

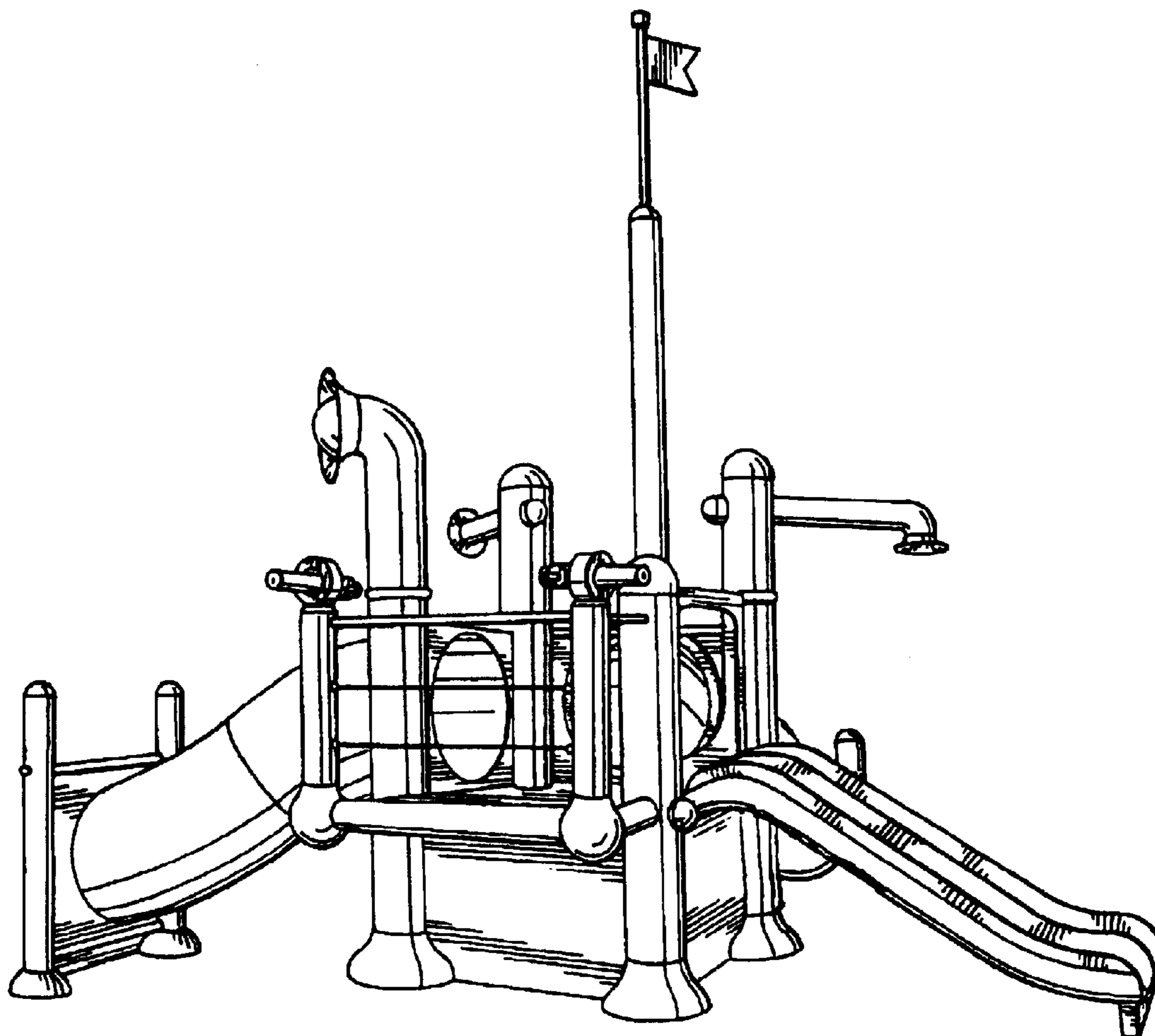
(57) **CLAIM**

I claim the ornamental design for a climbing structure, as shown.

DESCRIPTION

- FIG. 1—is a front first side perspective view of a climbing structure showing my design;
- FIG. 2—is a top view thereof;
- FIG. 3—is a front elevational view thereof;
- FIG. 4—is a second side elevational view thereof;
- FIG. 5—is a first side elevational view thereof; and,
- FIG. 6—is a rear elevational view thereof.

1 Claim, 5 Drawing Sheets



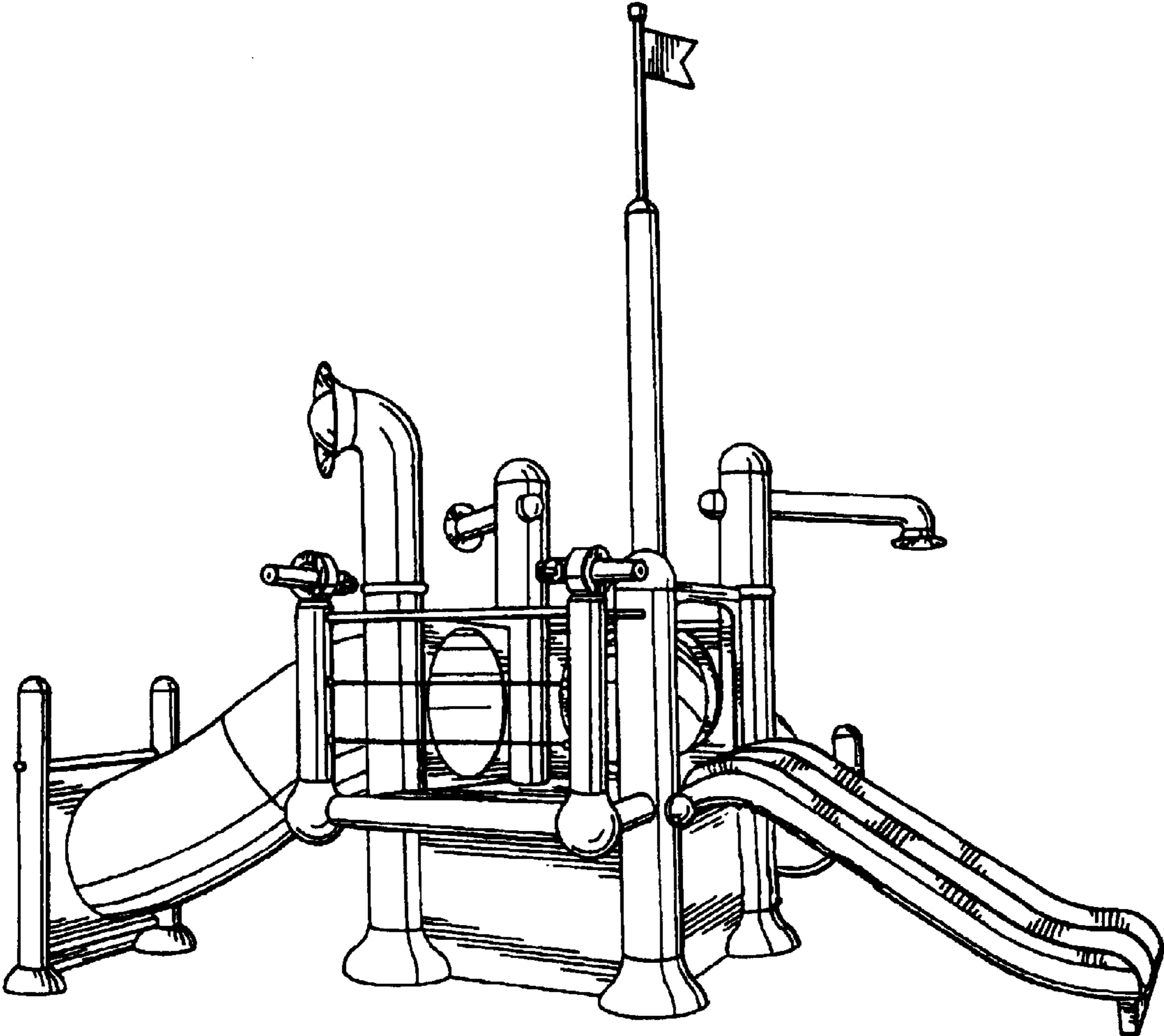


FIG. 1

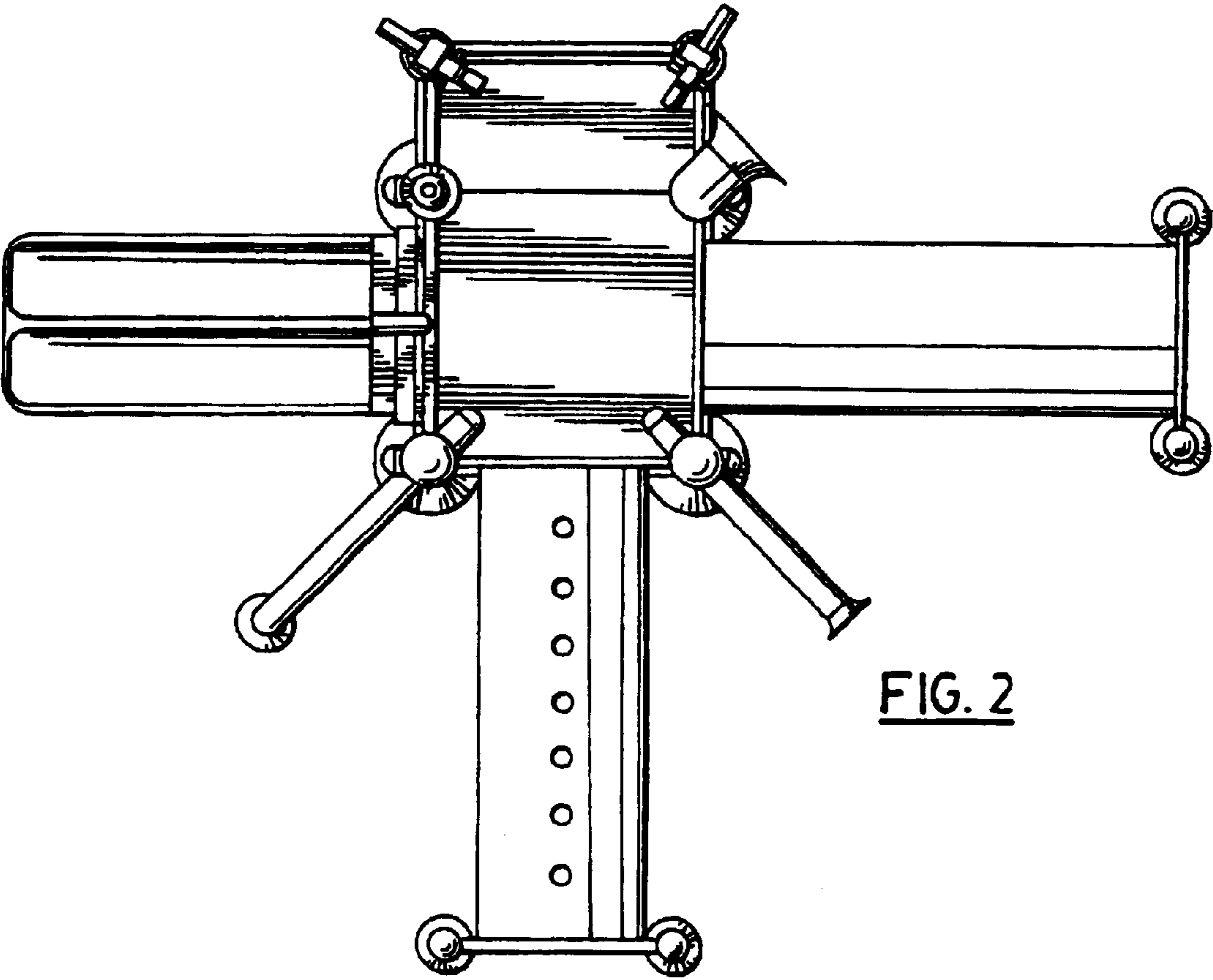


FIG. 2

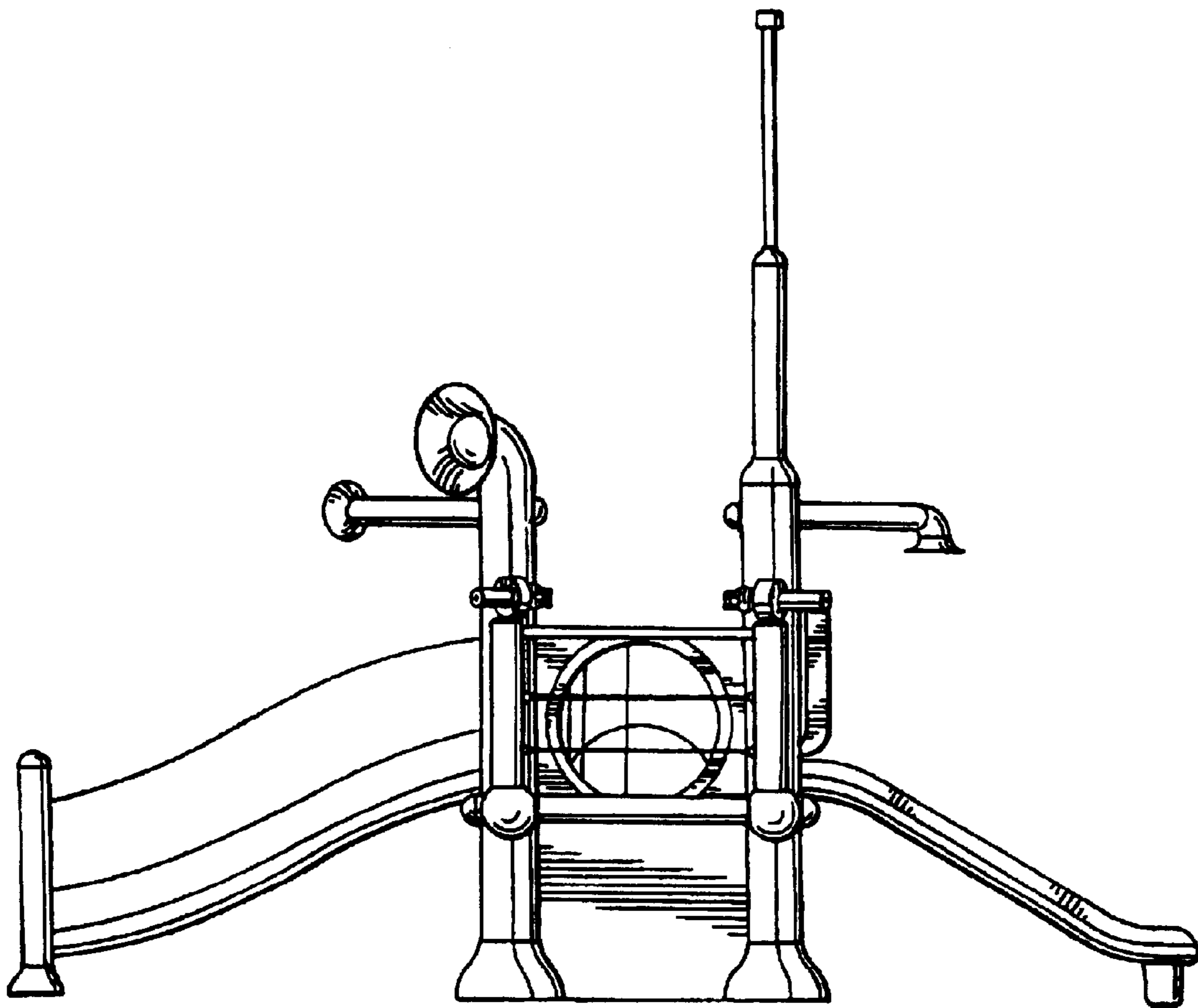


FIG. 3

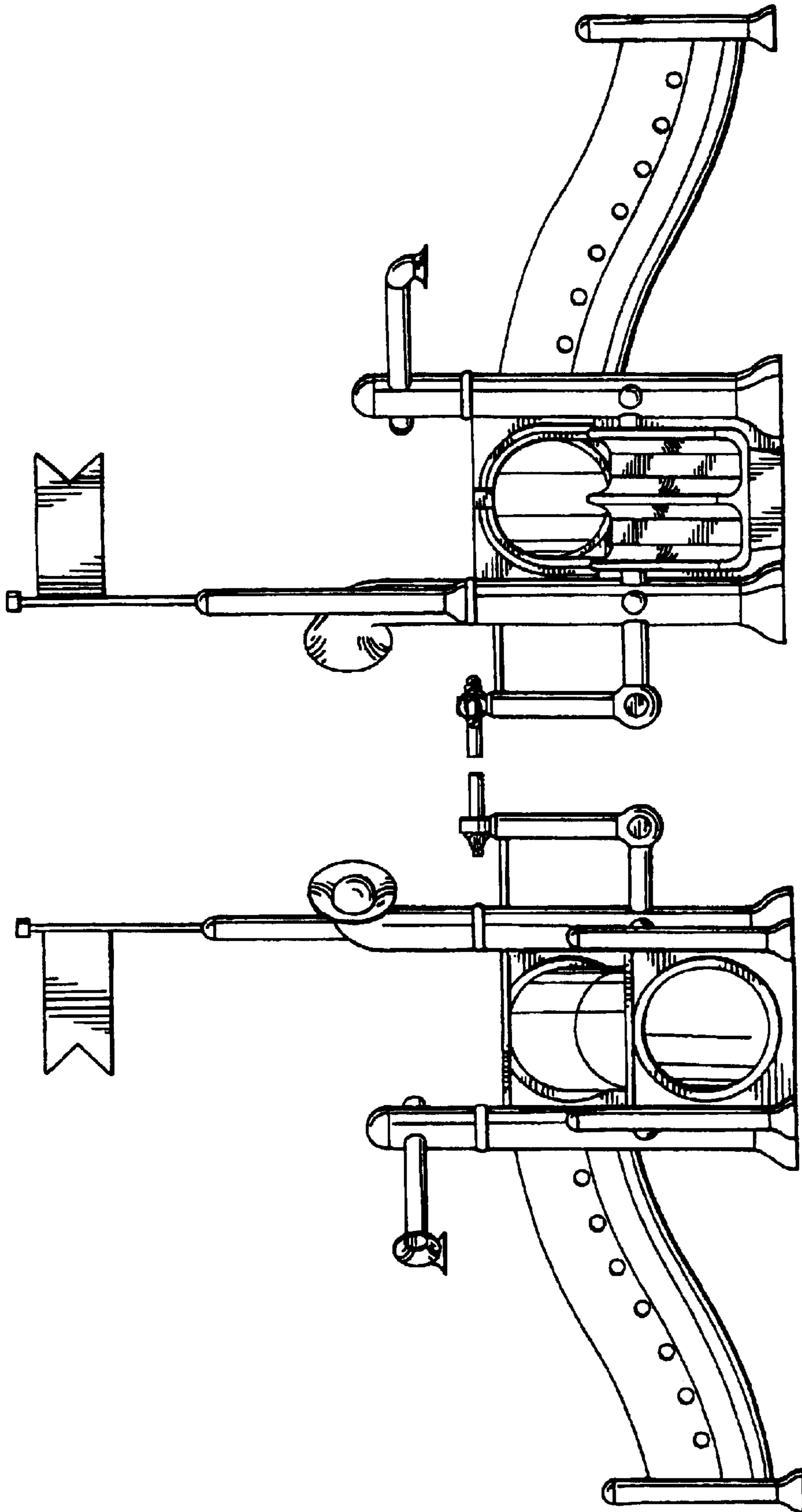


FIG. 5

FIG. 4

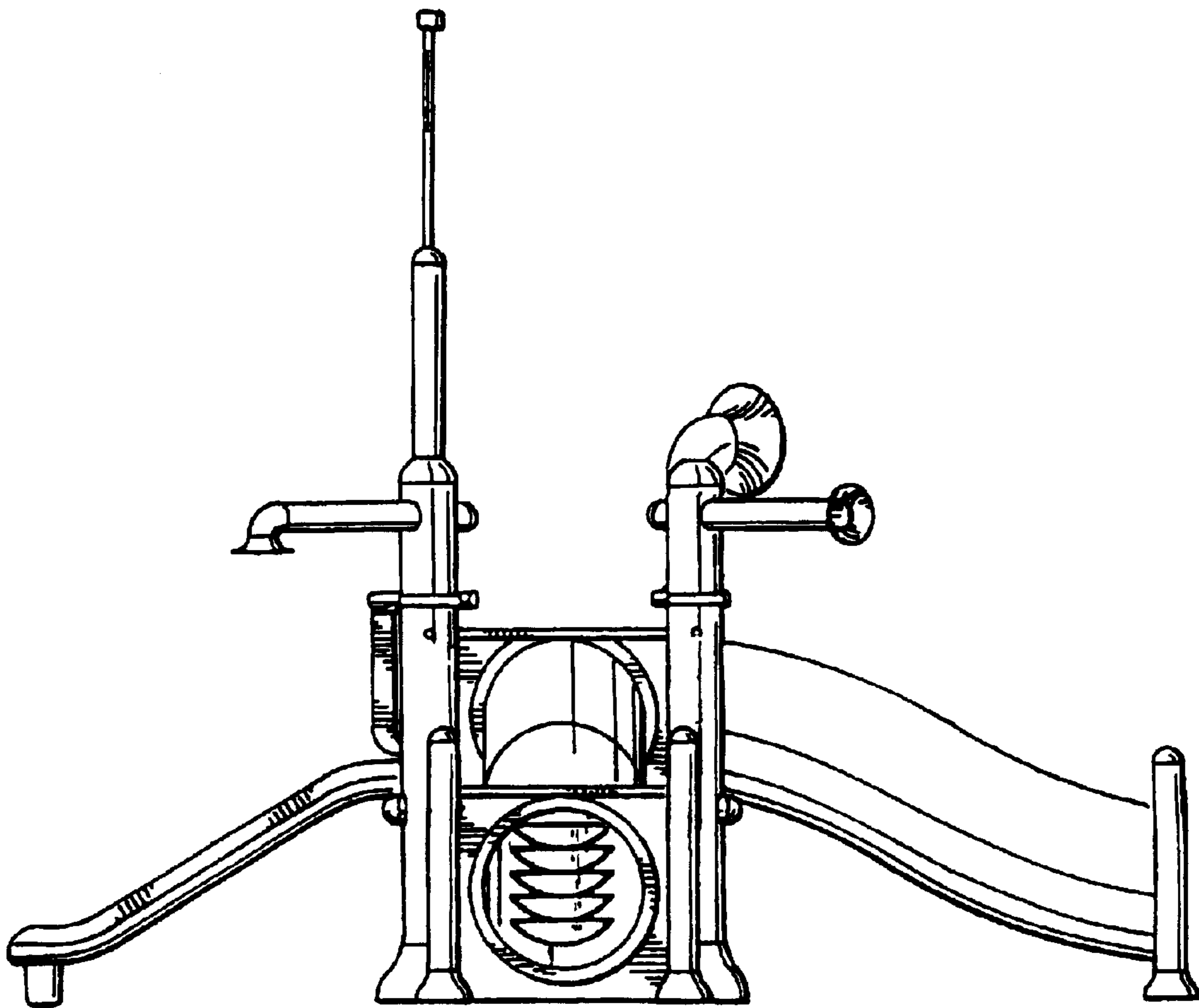


FIG. 6