



US00D495766S1

(12) **United States Design Patent**
Moore, Sr.

(10) **Patent No.:** **US D495,766 S**
(45) **Date of Patent:** **** Sep. 7, 2004**

(54) **BILLIARD TABLE**

(75) **Inventor:** **William D. Moore, Sr., Colfax, NC (US)**

(73) **Assignee:** **Brunswick Bowling & Billiards Corporation, Muskegon, MI (US)**

(**) **Term:** **14 Years**

(21) **Appl. No.:** **29/190,269**

(22) **Filed:** **Sep. 17, 2003**

(51) **LOC (7) Cl.** **06-03**

(52) **U.S. Cl.** **D21/784**

(58) **Field of Search** D21/782-784;
D6/422, 423, 428, 480, 495-499, 482;
473/1, 4, 6, 10, 29, 34

(56) **References Cited**

U.S. PATENT DOCUMENTS

249,541 A	*	11/1881	Morse	473/33
D14,834 S	*	2/1884	Wagner	D21/784
1,656,416 A	*	1/1928	Brinkman	473/22
D89,903 S	*	5/1933	Matteson	D21/784
D122,580 S	*	9/1940	Wendt	D21/784
3,521,847 A	*	7/1970	Porter	248/188
D394,485 S	*	5/1998	Flathers	D21/783
D476,389 S	*	6/2003	Flathers	D21/784

OTHER PUBLICATIONS

Olhausen Pooltables Ctalog, 1999, p. 3.*

* cited by examiner

Primary Examiner—Prabhakar Deshmukh

(74) *Attorney, Agent, or Firm*—Dykema Gossett PLLC

(57) **CLAIM**

The ornamental design for a billiard table, as shown and described.

DESCRIPTION

FIG. 1 is a perspective view of a billiard table showing my new design.

FIG. 2 is a front elevational view of the billiard table shown in FIG. 1.

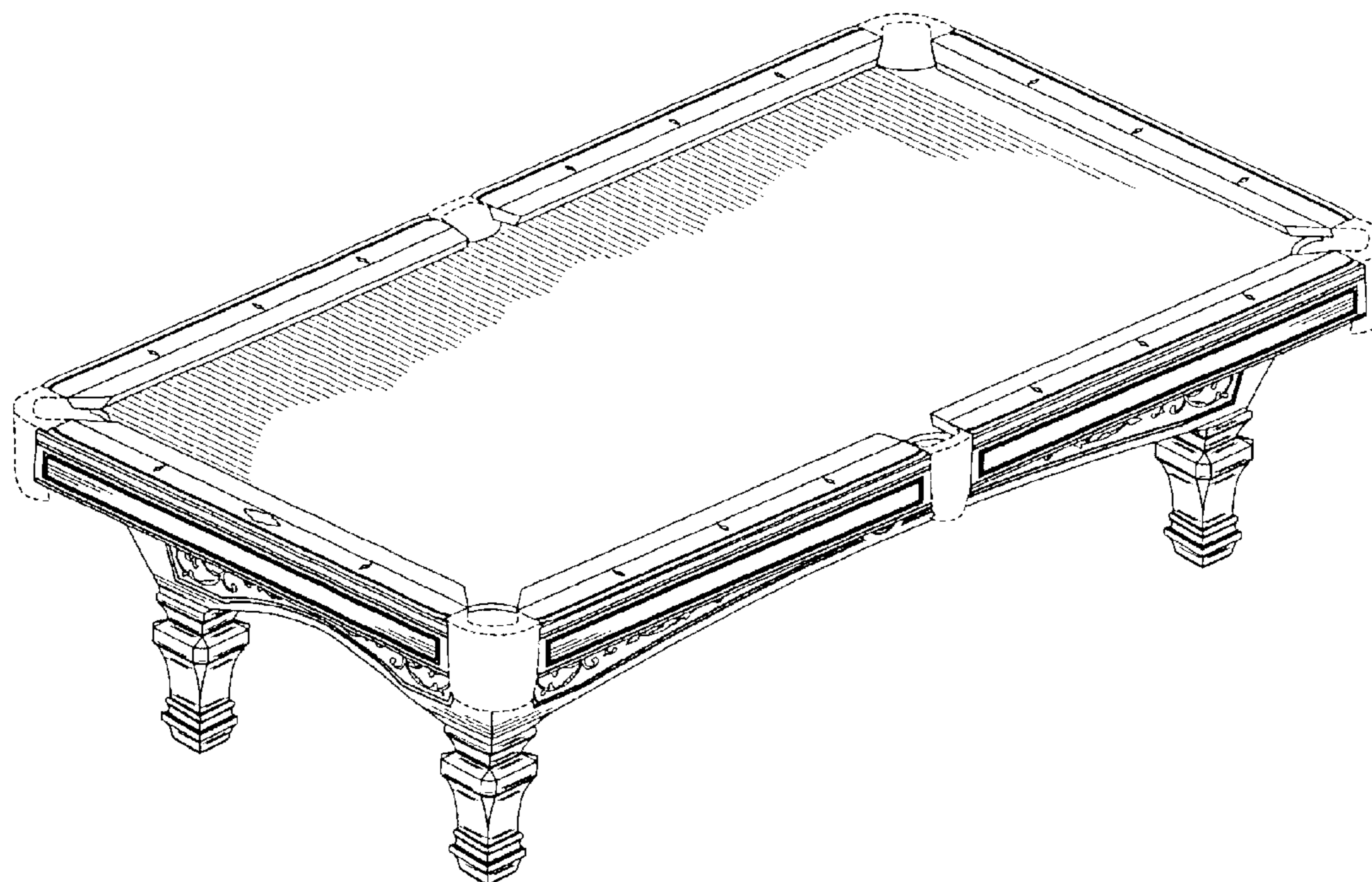
FIG. 3 is a side elevational view of the billiard table shown in FIG. 1.

FIG. 4 is a top plan view of the billiard table shown in FIG. 1; and,

FIG. 5 is a bottom plan view of the billiard table shown in FIG. 1.

The broken line showing of the billiard table pockets is for illustrative purposes only and forms no part of the claimed design.

1 Claim, 5 Drawing Sheets



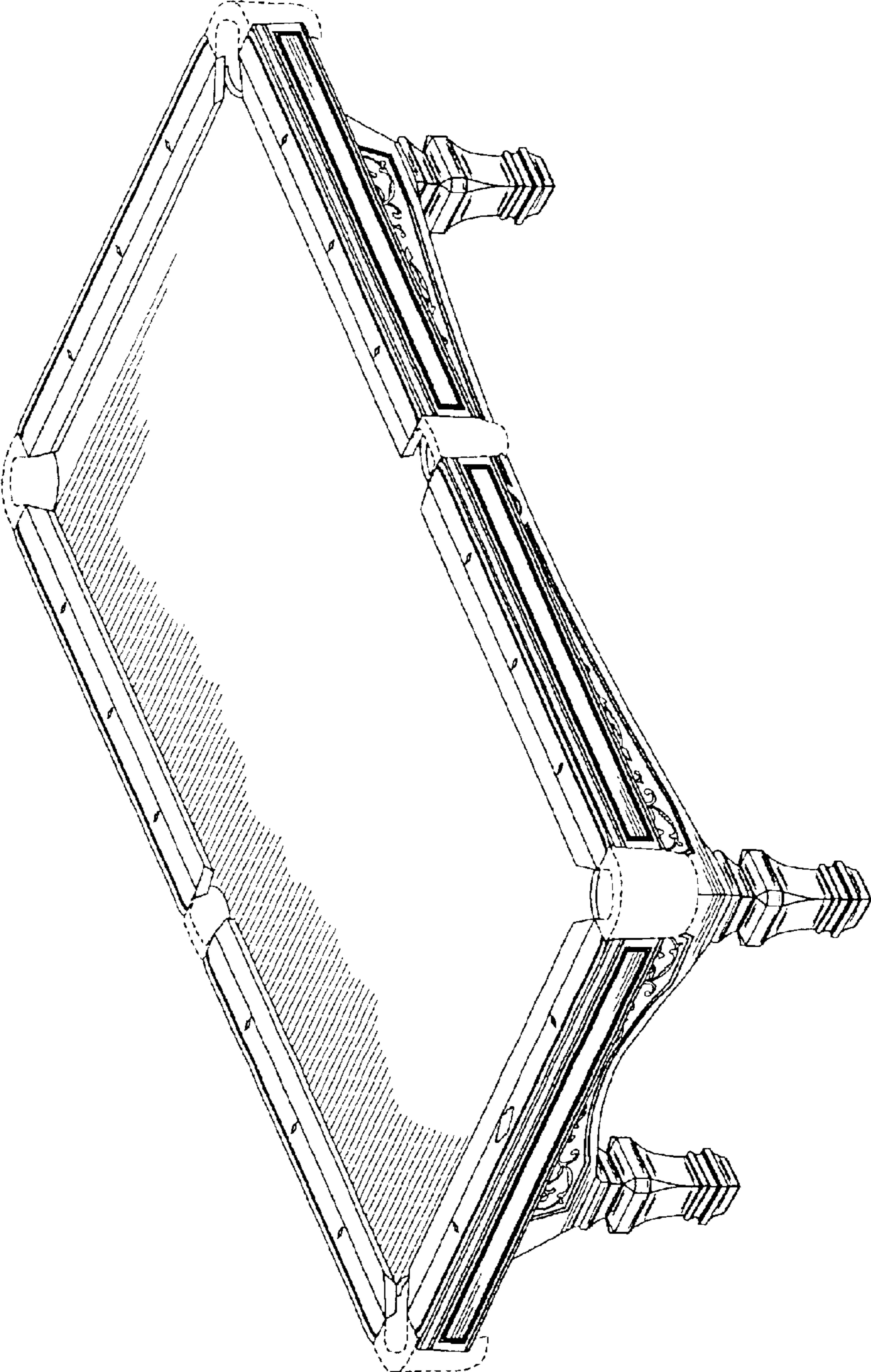


FIG. 1



FIG. 2

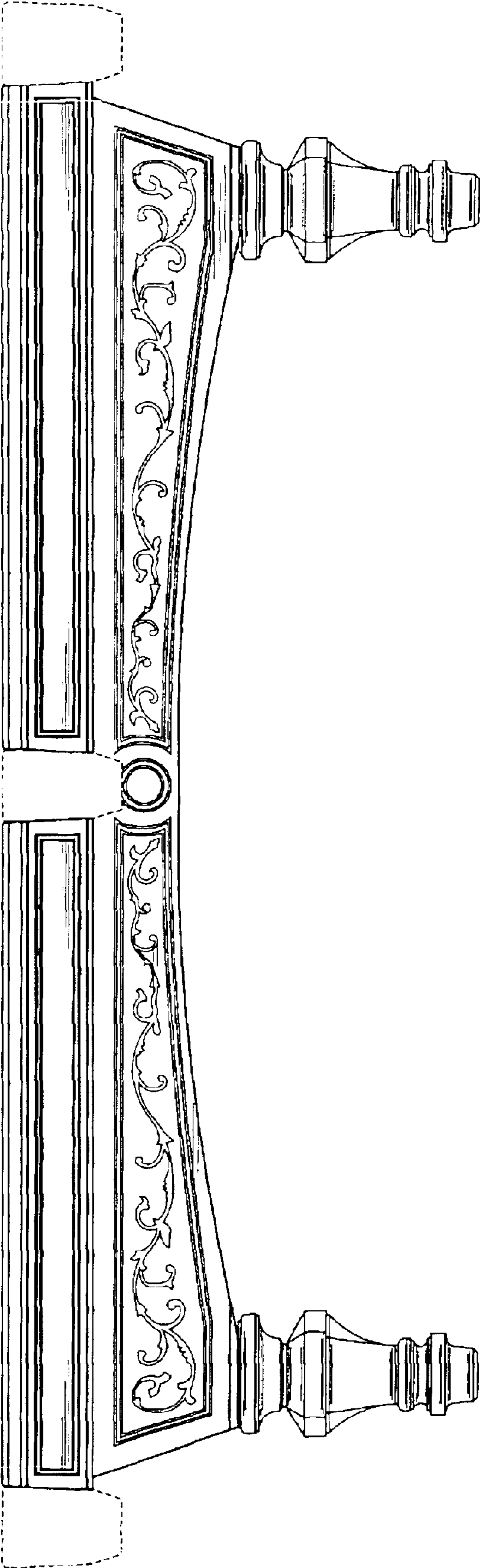


FIG. 3

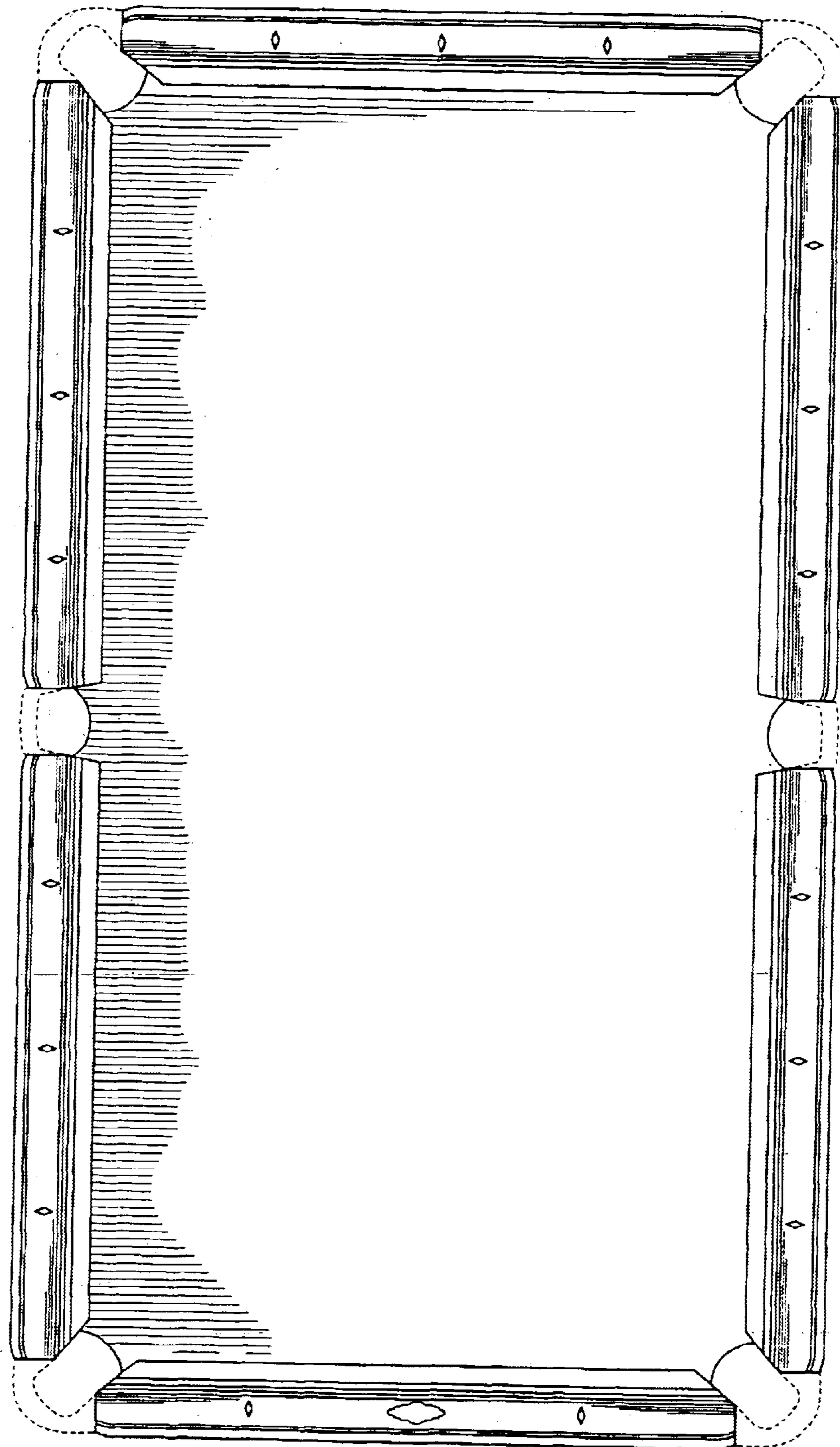


FIG.4

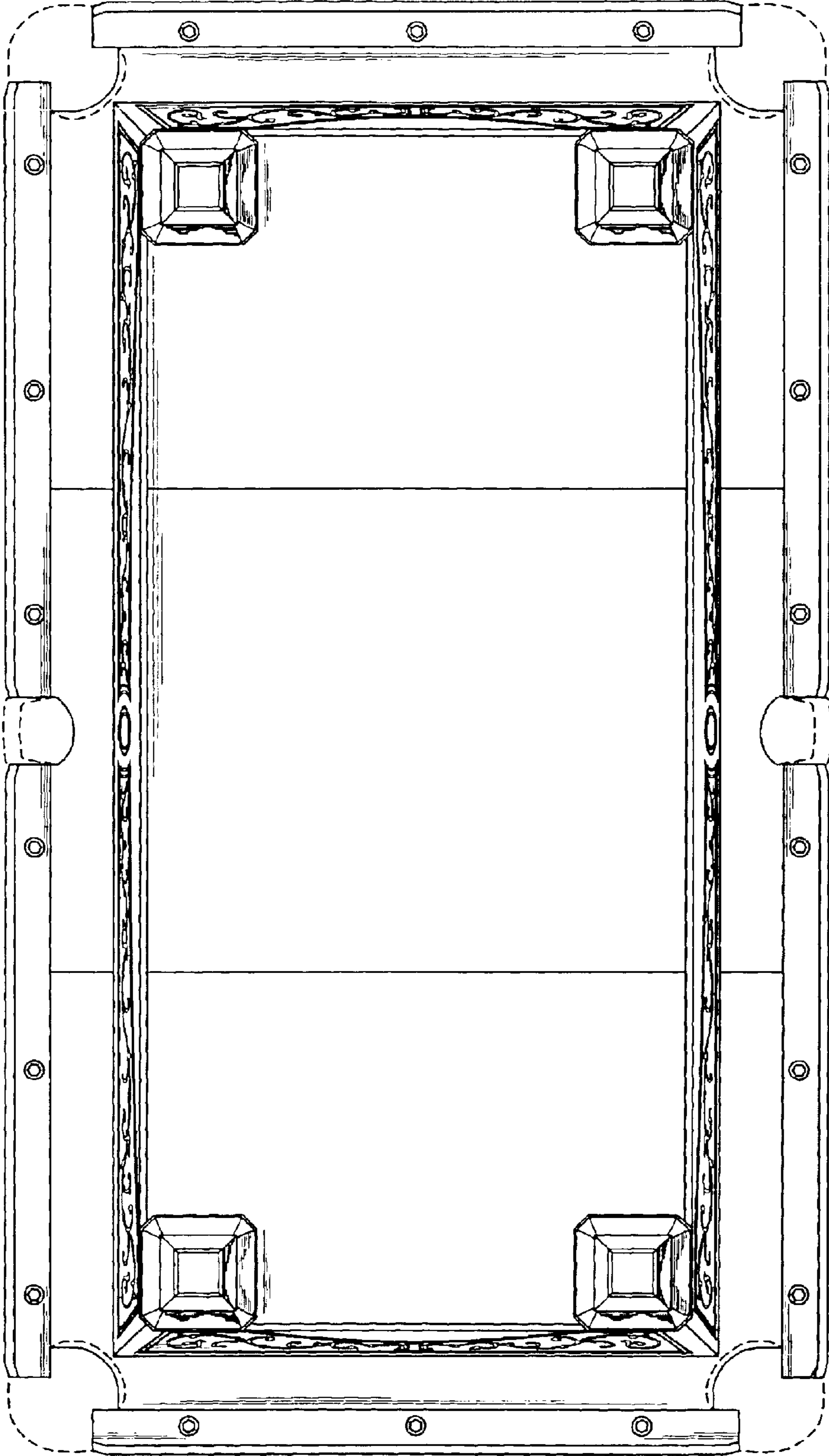


FIG. 5