

US00D495761S1

(12) **United States Design Patent**  
**Darack**

(10) **Patent No.: US D495,761 S**

(45) **Date of Patent: \*\* Sep. 7, 2004**

(54) **AIRCRAFT**

(76) **Inventor: Ed Darack**, P.O. Box 413, Fort  
Garland, CO (US) 81133

(\*\*) **Term: 14 Years**

(21) **Appl. No.: 29/195,300**

(22) **Filed: Dec. 8, 2003**

(51) **LOC (7) Cl. .... 21-01**

(52) **U.S. Cl. .... D21/449; D12/321**

(58) **Field of Search .... D21/445, 447,  
D21/448-450; D12/321; 446/30-32, 34-68,  
79, 80, 88, 228, 230, 429, 430, 487, 488-490;  
244/16, 154, 900, 901**

(56) **References Cited**

**U.S. PATENT DOCUMENTS**

1,572,270	A	*	2/1926	Dwyer	.....	446/64
1,792,779	A	*	2/1931	Tarr	.....	446/66
2,140,821	A	*	12/1938	Tyrrell	.....	446/66
2,298,425	A	*	10/1942	Shaffer	.....	446/61
2,739,414	A	*	3/1956	Cleveland	.....	446/66
3,945,147	A	*	3/1976	Crowder	.....	446/61
D278,726	S	*	5/1985	Ninomiya	.....	D21/449
D278,729	S	*	5/1985	Ninomiya	.....	
4,863,412	A	*	9/1989	Mihalinec	.....	446/66

D309,164	S		7/1990	Antonucci		
D311,223	S	*	10/1990	Kovats	.....	D21/445
D322,997	S		1/1992	Vanderwielen		
D399,816	S		10/1998	Peacock		
5,853,312	A	*	12/1998	Li	.....	446/61
D445,462	S		7/2001	Paivanas		
6,478,251	B2	*	11/2002	Wei	.....	244/16

\* cited by examiner

*Primary Examiner*—Philip S. Hyder  
*Assistant Examiner*—C. Tuttle

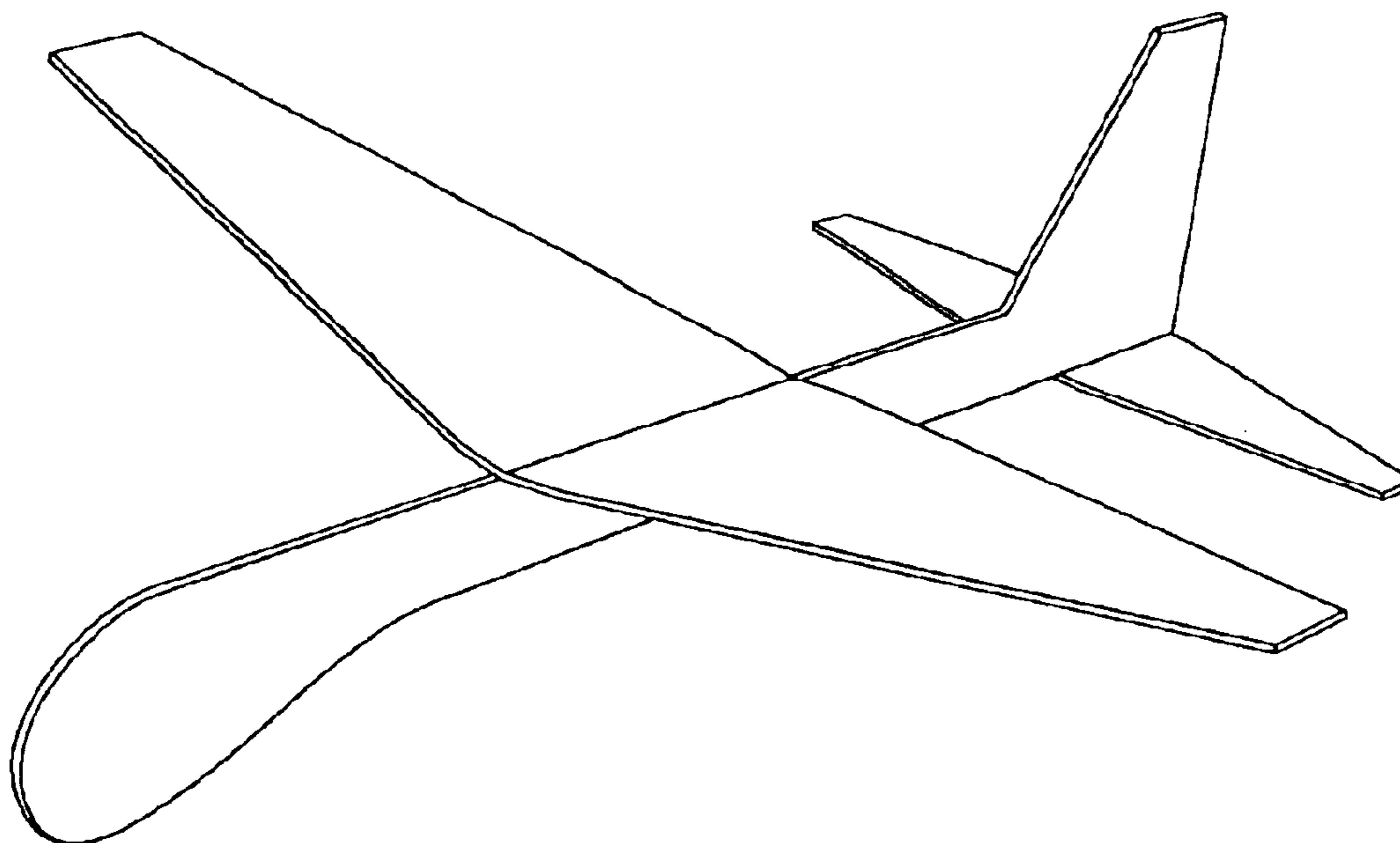
(57) **CLAIM**

The ornamental design for an aircraft, substantially as shown and described.

**DESCRIPTION**

FIG. 1 is a perspective view of an aircraft showing my new design;  
FIG. 2 is a left side elevation view of the aircraft of FIG. 1, the right side elevation view being a mirror image of that shown;  
FIG. 3 is a top plan view of the aircraft of FIG. 1;  
FIG. 4 is a bottom plan view of the aircraft of FIG. 1;  
FIG. 5 is a front elevation view of the aircraft of FIG. 1; and,  
FIG. 6 is a rear elevation view of the aircraft of FIG. 1.

**1 Claim, 4 Drawing Sheets**



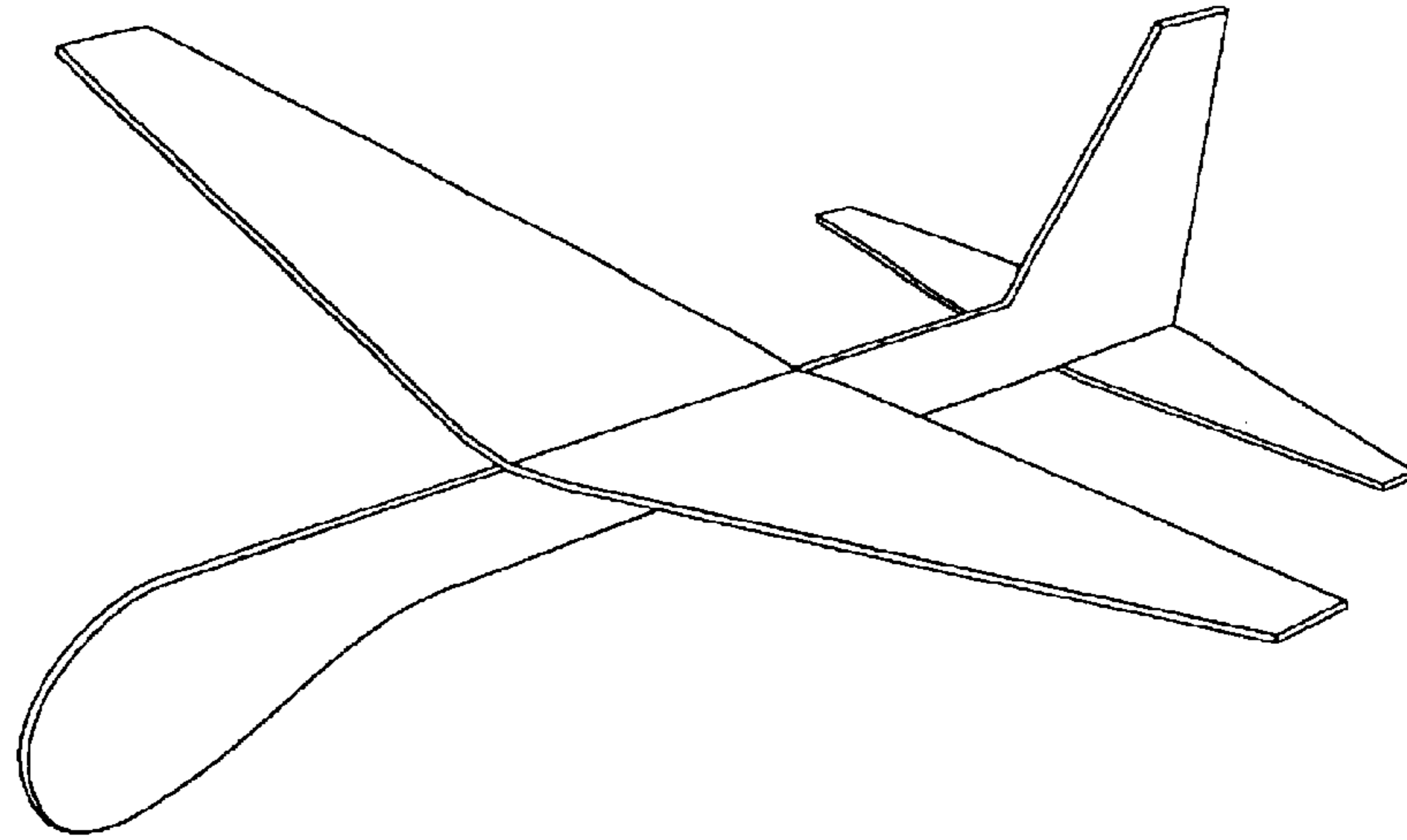


FIG. 1

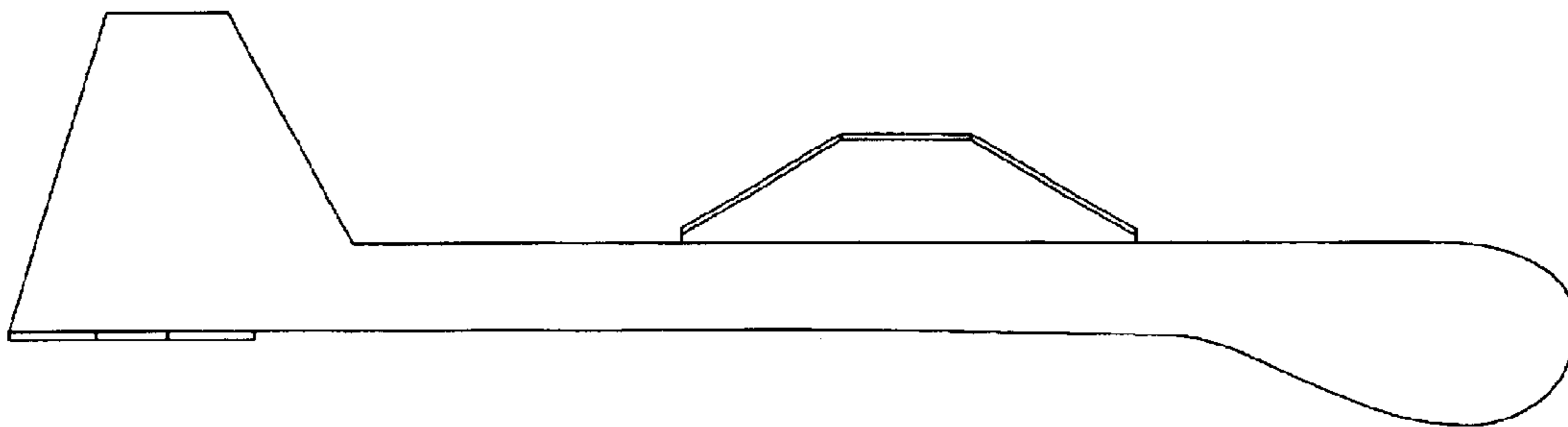


FIG. 2

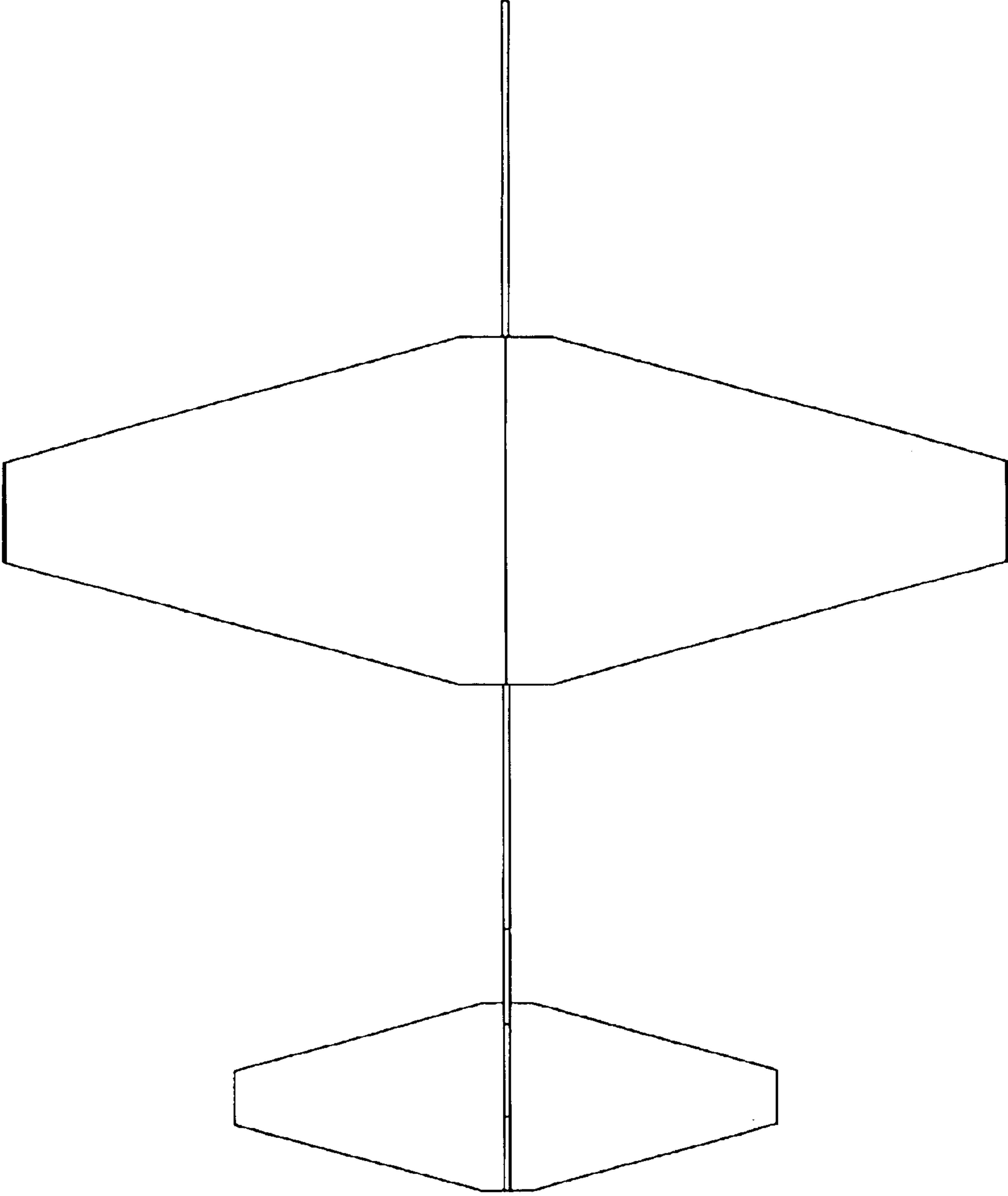


FIG. 3

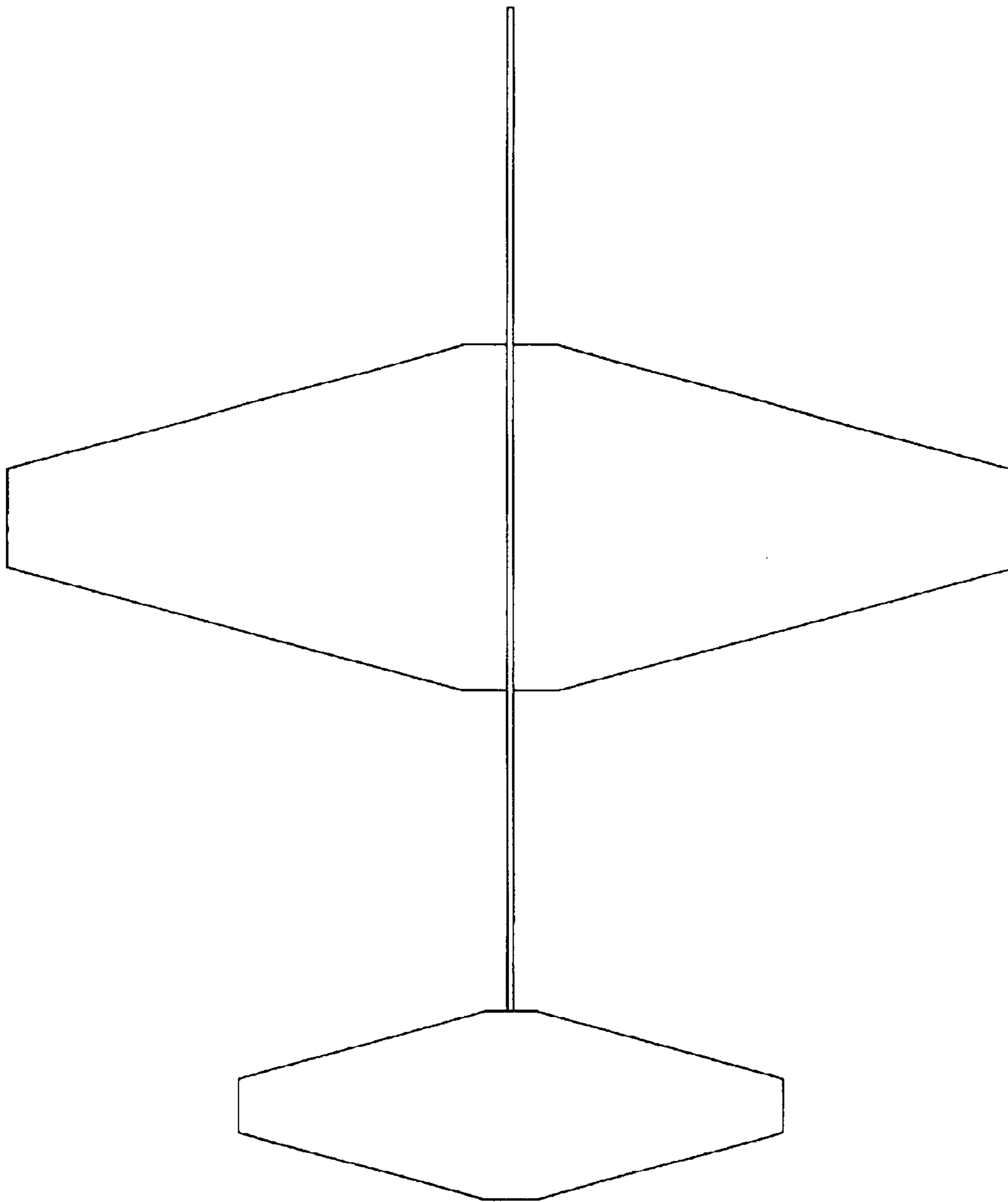


FIG. 4

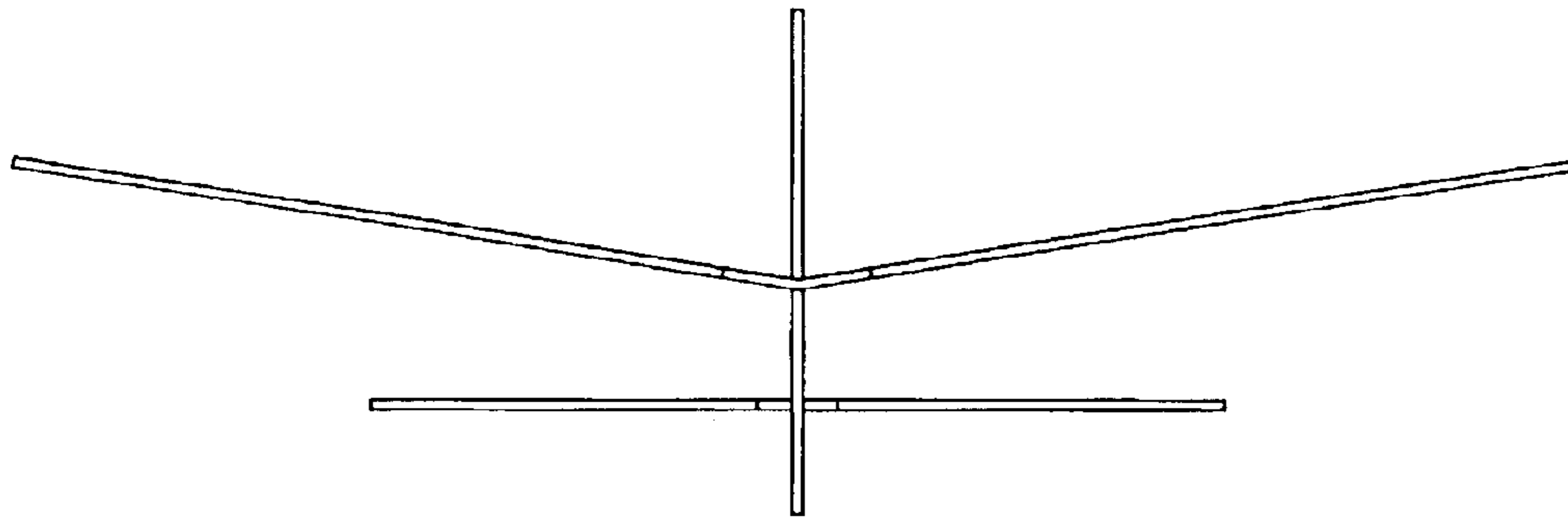


FIG. 5

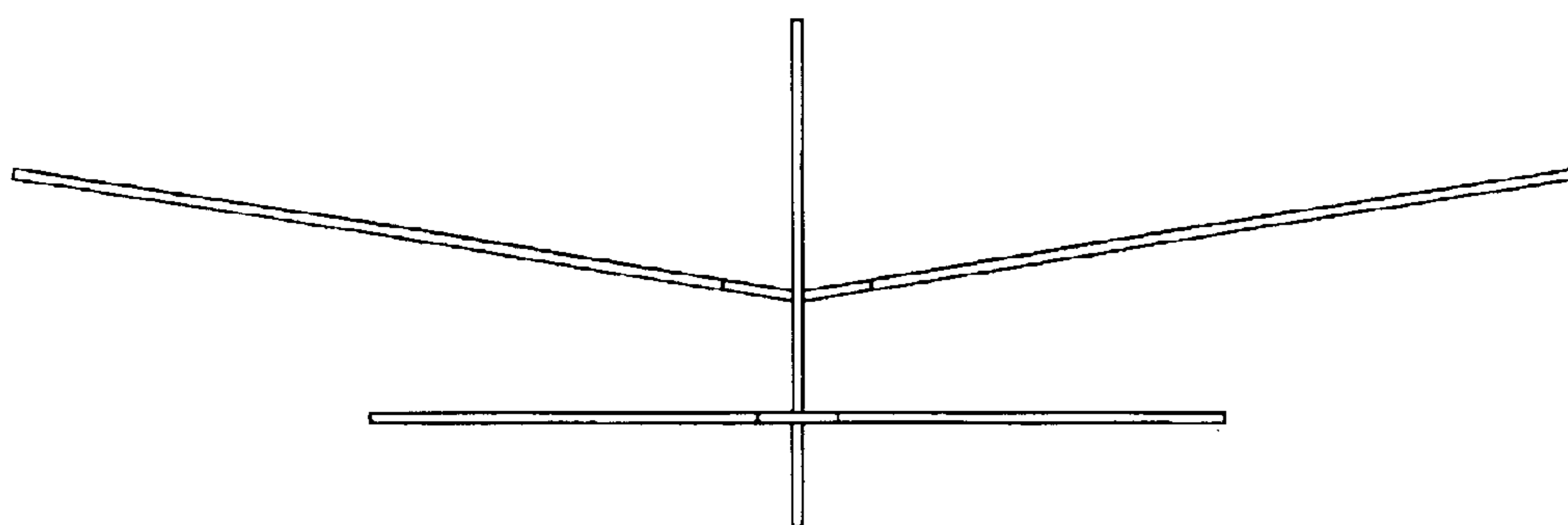


FIG. 6