

US00D495759S1

(12) **United States Design Patent**
Chen

(10) **Patent No.:** **US D495,759 S**

(45) **Date of Patent:** **** Sep. 7, 2004**

(54) **SCOOTER FRAME**

(75) **Inventor:** **Ting-Hsing Chen, Tainan Hsien (TW)**

(73) **Assignee:** **Far Great Plastics Industrial Co., Ltd., Tainan Hsien (TW)**

(**) **Term:** **14 Years**

(21) **Appl. No.:** **29/196,082**

(22) **Filed:** **Dec. 23, 2003**

(51) **LOC (7) Cl.** **21-01**

(52) **U.S. Cl.** **D21/423**

(58) **Field of Search** D21/419, 421-424,
D21/435, 533, 760, 765, 771; D12/107,
110, 111-112, 115, 117; 280/761, 87.01,
87.041, 87.042, 87.05, 287, 229, 274-278,
281.1, 282, 283, 288; 180/180, 181

(56) **References Cited**

U.S. PATENT DOCUMENTS

D427,111 S	*	6/2000	Chen	D12/111
D443,000 S	*	5/2001	Chen	D21/423
D452,885 S	*	1/2002	Chen	D21/423
D457,574 S	*	5/2002	Chen	D21/423

D459,762 S	*	7/2002	Chen	D21/423
6,416,060 B1	*	7/2002	Chen	280/87.041
D474,815 S	*	5/2003	Chen	D21/423
D475,755 S	*	6/2003	Chen	D21/423
D476,042 S	*	6/2003	Hsieh	D21/765
D481,422 S	*	10/2003	Chen	D21/423

* cited by examiner

Primary Examiner—Raphael Barkai

(74) *Attorney, Agent, or Firm*—Rosenberg, Klein & Lee

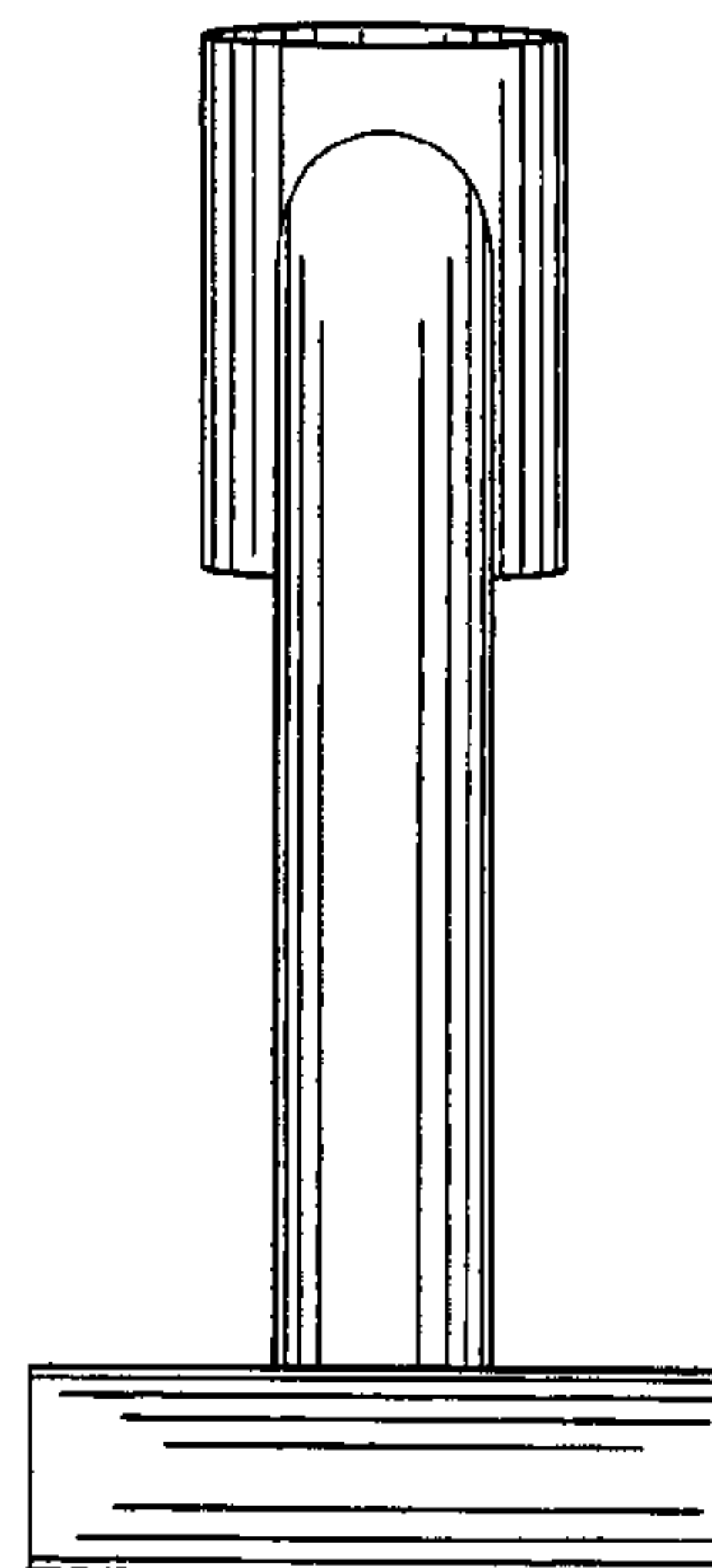
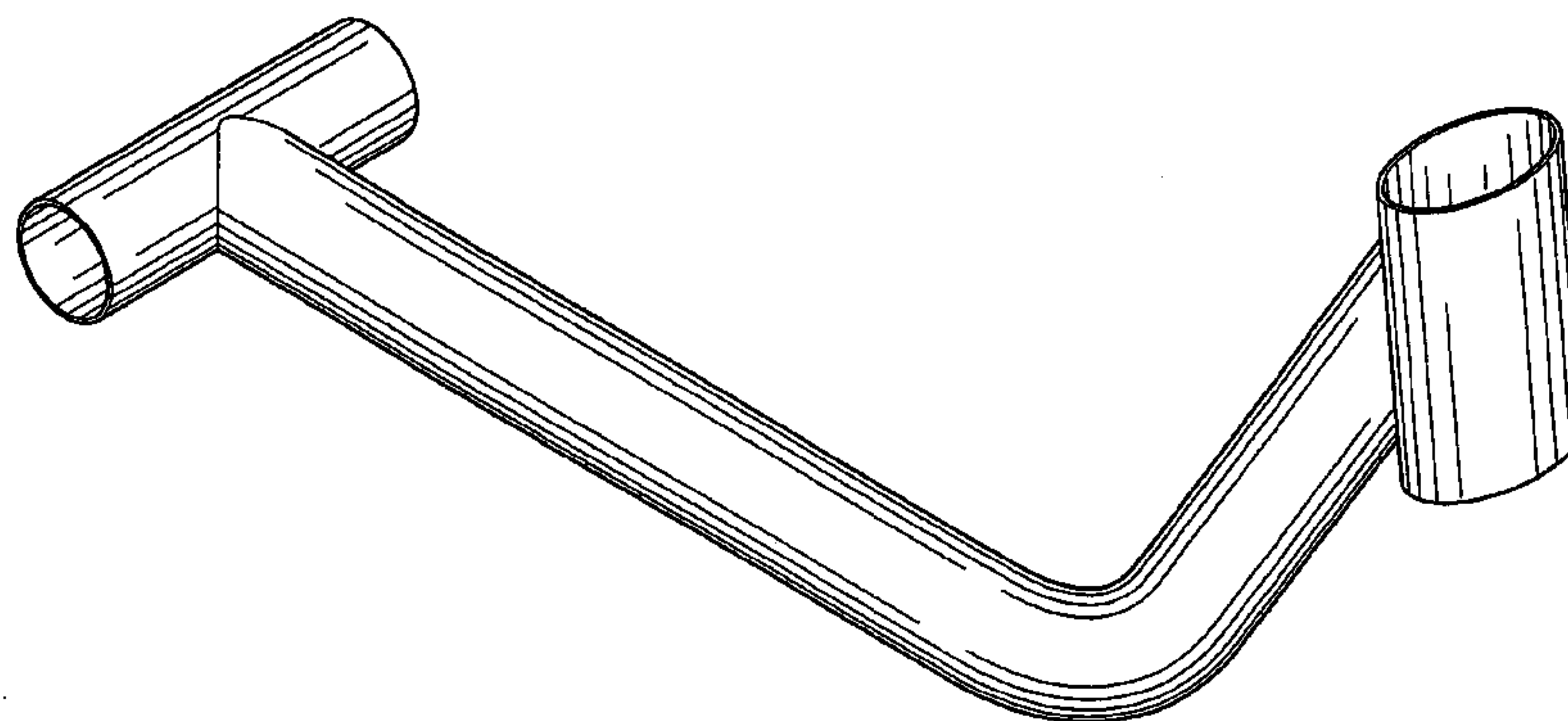
(57) **CLAIM**

The ornamental design for a scooter frame, as shown and described.

DESCRIPTION

FIG. 1 is a perspective view of a scooter frame showing my present design;
FIG. 2 is a front view thereof;
FIG. 3 is a rear view thereof;
FIG. 4 is a left view thereof;
FIG. 5 is a right view thereof;
FIG. 6 is a top plan view thereof; and,
FIG. 7 is a bottom plan view.

1 Claim, 5 Drawing Sheets



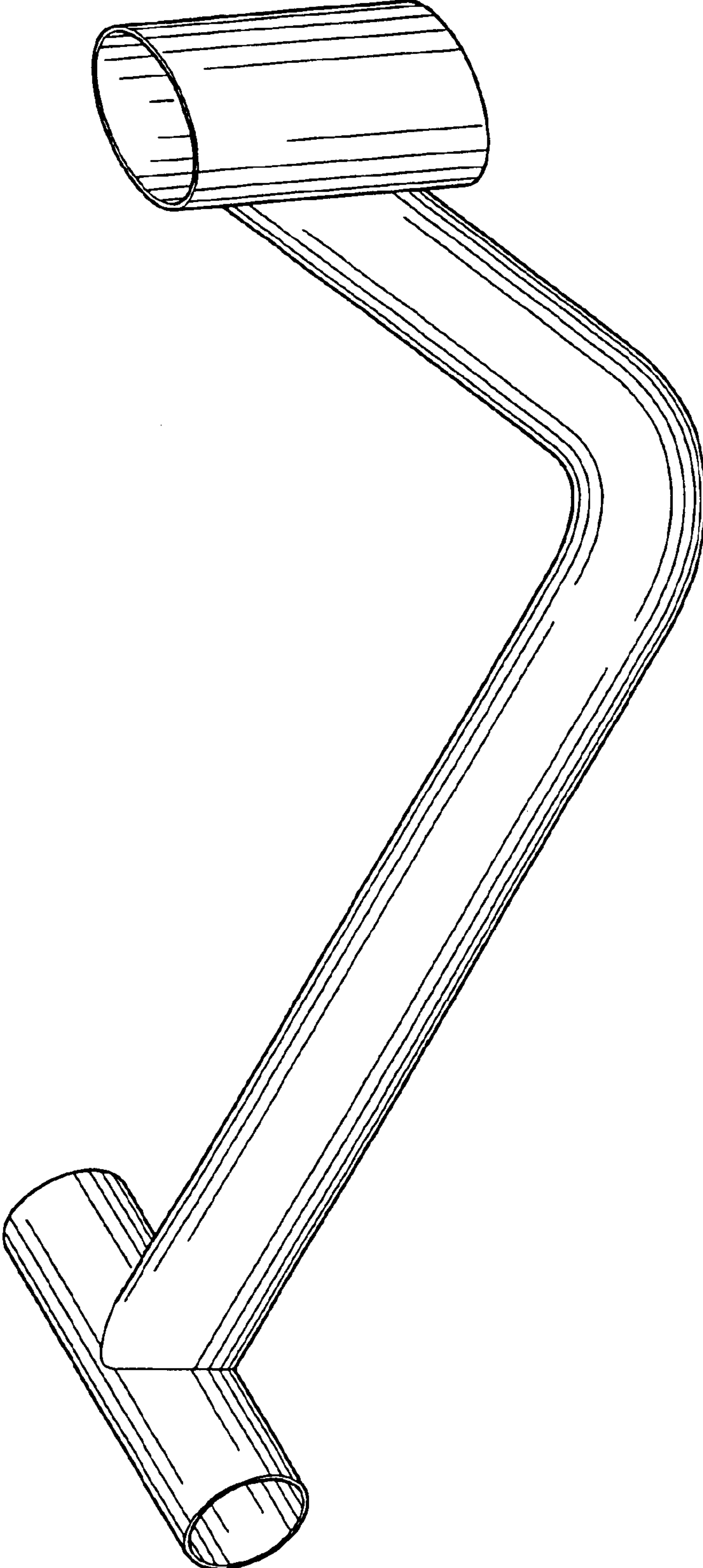


FIG. 1

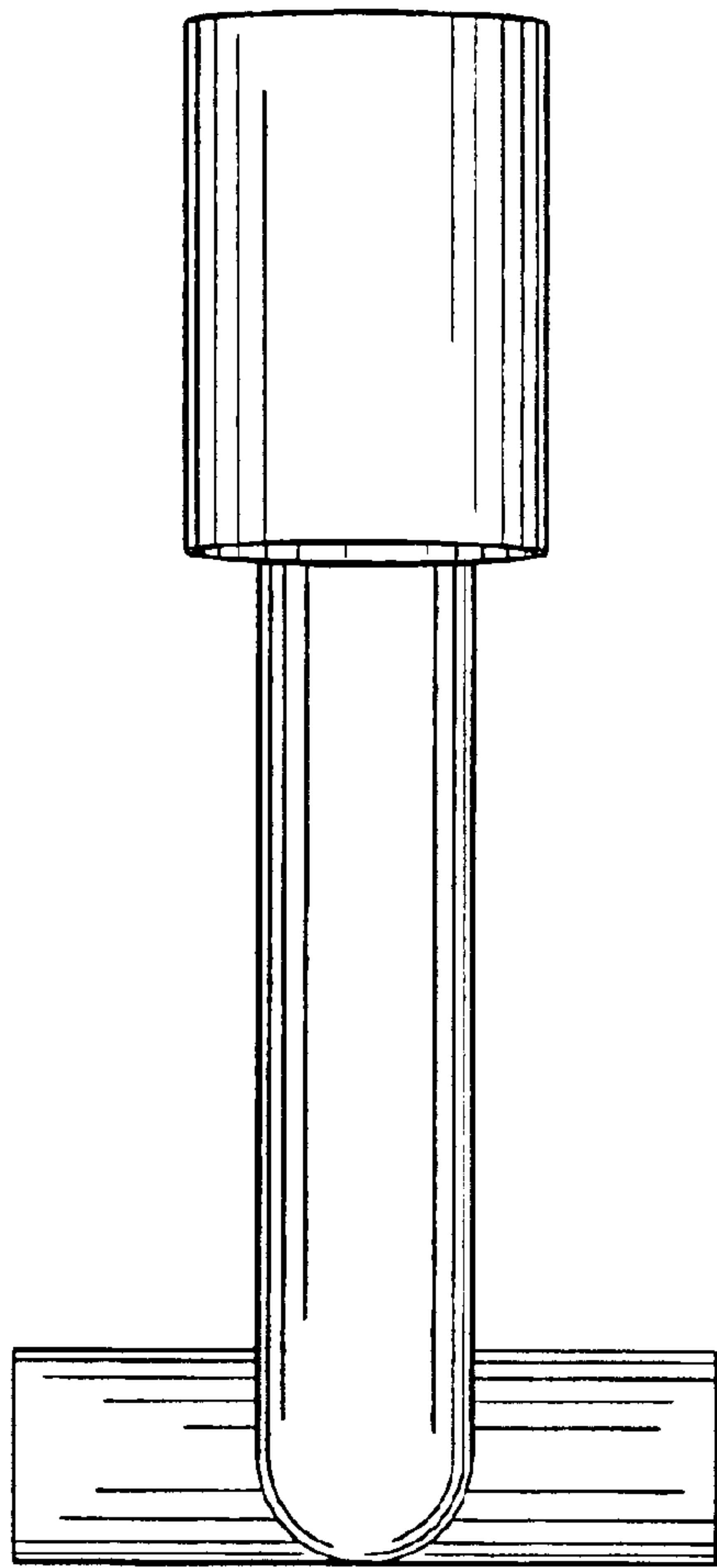


FIG. 2

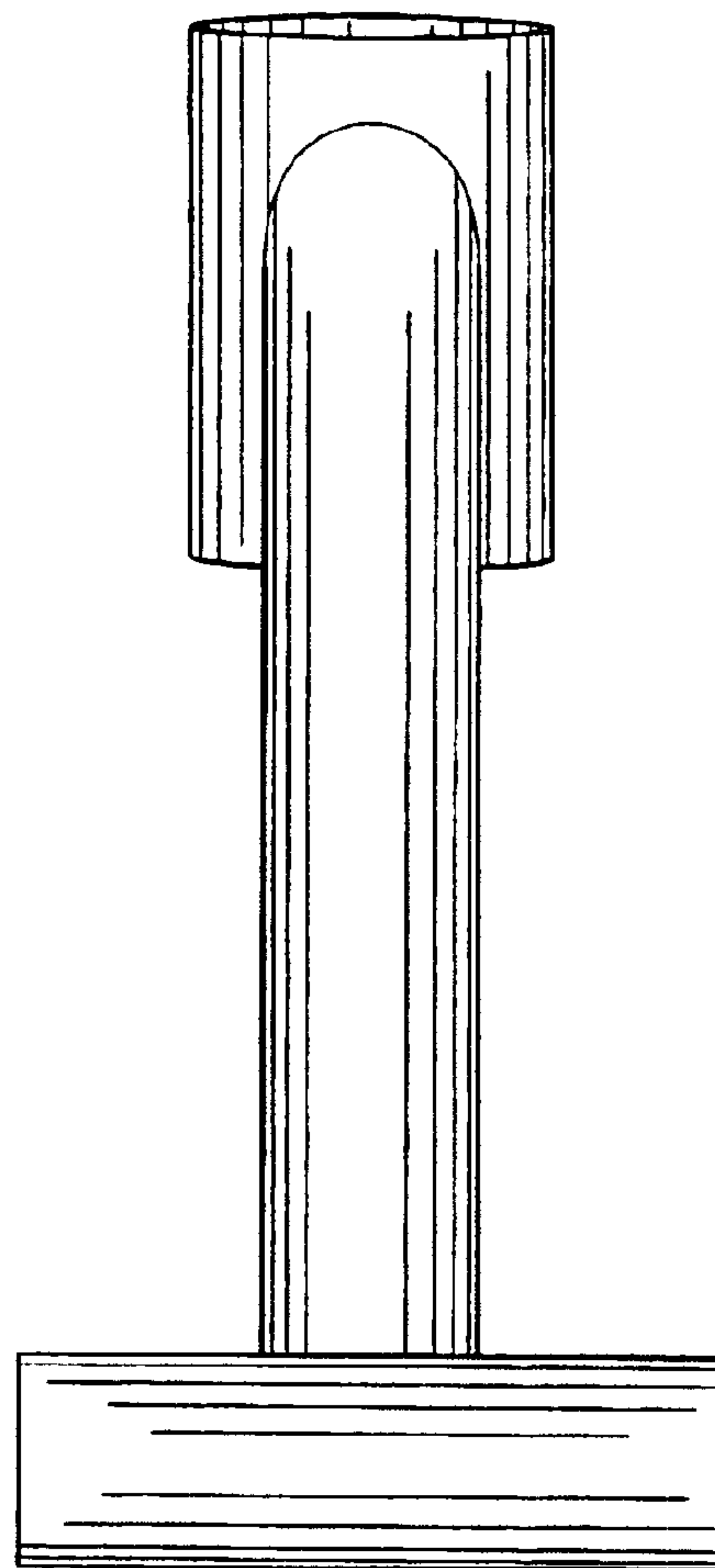


FIG. 3

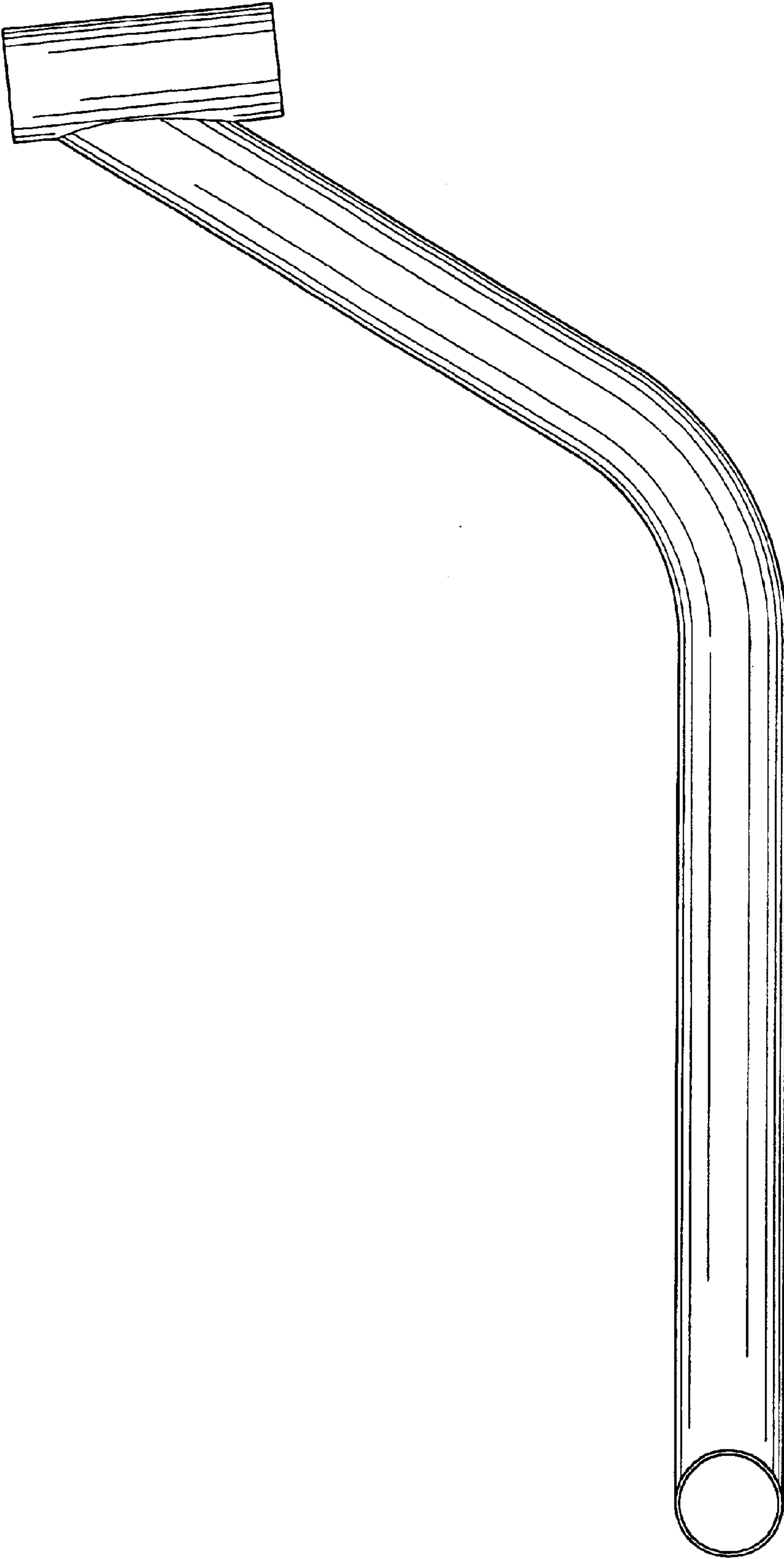


FIG. 4

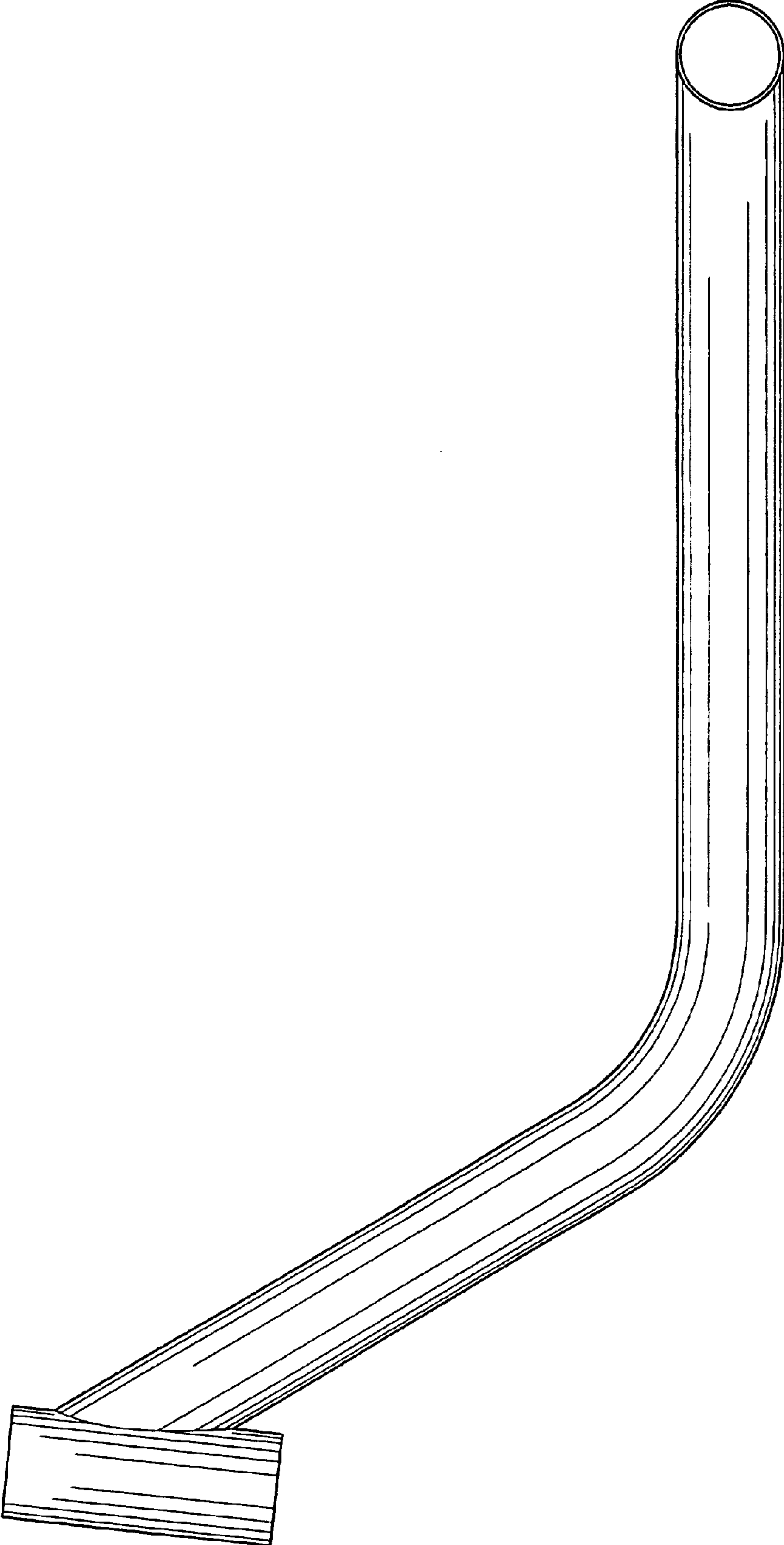


FIG. 5

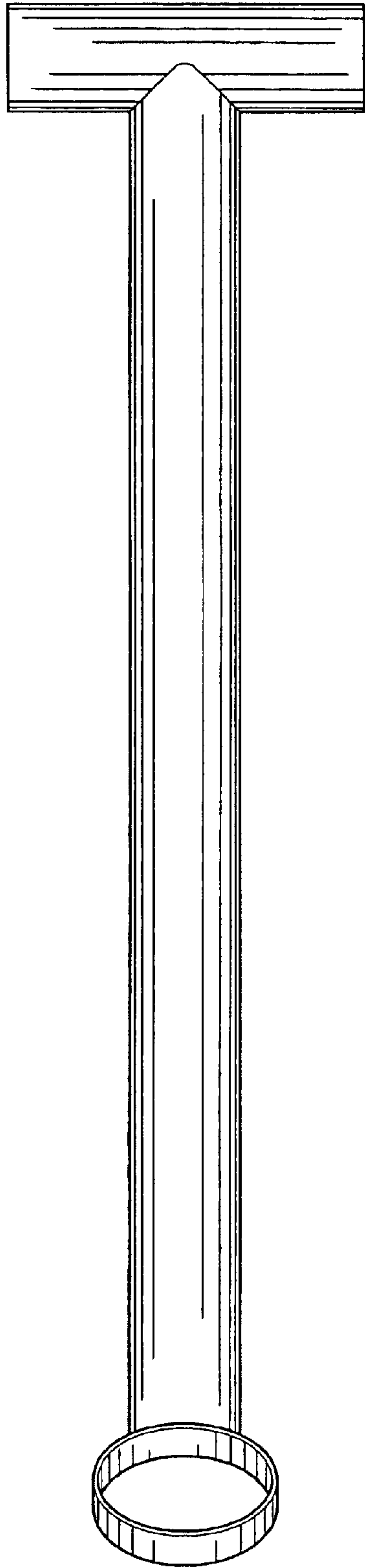


FIG. 6

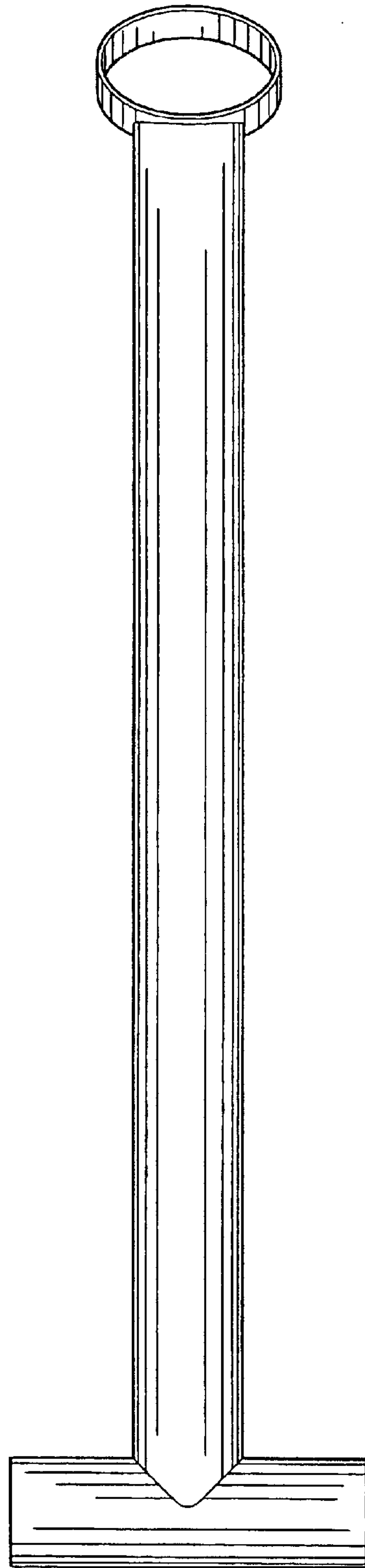


FIG. 7