

US00D495758S1

(12) **United States Design Patent** (10) **Patent No.:** **US D495,758 S**
Chuang (45) **Date of Patent:** **** Sep. 7, 2004**

(54) **CROSSBAR FOR A CAMBERING VEHICLE**

(75) Inventor: **Jin Chen Chuang**, Taichung (TW)

(73) Assignee: **Unique Forces Company Limited**
(VG)

(**) Term: **14 Years**

(21) Appl. No.: **29/188,772**

(22) Filed: **Aug. 22, 2003**

Related U.S. Application Data

(60) Division of application No. 29/186,392, filed on Jul. 15, 2003, which is a continuation-in-part of application No. 10/608,398, filed on Jun. 23, 2003.

(51) **LOC (7) Cl.** **21-01**

(52) **U.S. Cl.** **D21/423**

(58) **Field of Search** D21/419-435,
D21/533, 760, 765, 771; D12/107, 110-112;
280/87.01, 87.021, 87.041, 87.042, 278,
220, 87.05; 180/181, 216, 219, 220

(56) **References Cited**

U.S. PATENT DOCUMENTS

- 1,303,127 A 5/1919 Wickman
- 1,336,100 A 4/1920 Shearer
- 1,664,858 A 4/1928 Headley
- D219,372 S * 12/1970 Levy D21/435
- 4,045,048 A 8/1977 Irwin
- 4,047,732 A 9/1977 Williams et al.
- 4,050,711 A 9/1977 Denzer
- 4,050,712 A 9/1977 Denzer et al.
- 4,050,713 A 9/1977 Williams
- 4,054,300 A 10/1977 Winchell
- 4,065,146 A 12/1977 Denzer
- 4,071,261 A 1/1978 Winchell
- 4,076,270 A 2/1978 Winchell
- 4,087,104 A 5/1978 Winchell et al.
- 4,087,106 A 5/1978 Winchell
- 4,087,107 A 5/1978 Winchell
- 4,087,108 A 5/1978 Winchell
- 4,088,338 A 5/1978 Winchell et al.

- 4,123,079 A 10/1978 Biskup
- 4,133,551 A 1/1979 Biskup
- 4,165,093 A 8/1979 Biskup
- 4,325,565 A 4/1982 Winchell
- 4,526,390 A 7/1985 Skolnik
- 4,540,192 A 9/1985 Shelton
- RE32,031 E 11/1985 Winchell
- D291,211 S * 8/1987 Man D21/423
- 4,776,604 A 10/1988 Valdez et al.
- 4,844,494 A * 7/1989 Blanchard 280/87.05
- 5,039,121 A 8/1991 Holter
- 5,547,204 A 8/1996 Gamzo
- 5,785,331 A 7/1998 Rappaport
- 6,220,612 B1 4/2001 Beleski, Jr.
- D444,184 S * 6/2001 Kettler D21/423
- 6,318,741 B1 11/2001 Chen
- 6,467,781 B1 10/2002 Feng

(List continued on next page.)

FOREIGN PATENT DOCUMENTS

- CA 2390224 A1 * 5/2001
- WO WO 01/32470 A3 * 5/2001
- WO WO 01/32470 A2 * 5/2001

OTHER PUBLICATIONS

Don Sherman, *Camber Jamboree*, Car and Driver Magazine, Jan. 1981, pp. 53-61, USA.*

Primary Examiner—Raphael Barkai
(74) *Attorney, Agent, or Firm*—Lerner, David, Littenberg Krumholz & Mentlik, LLP

(57) **CLAIM**

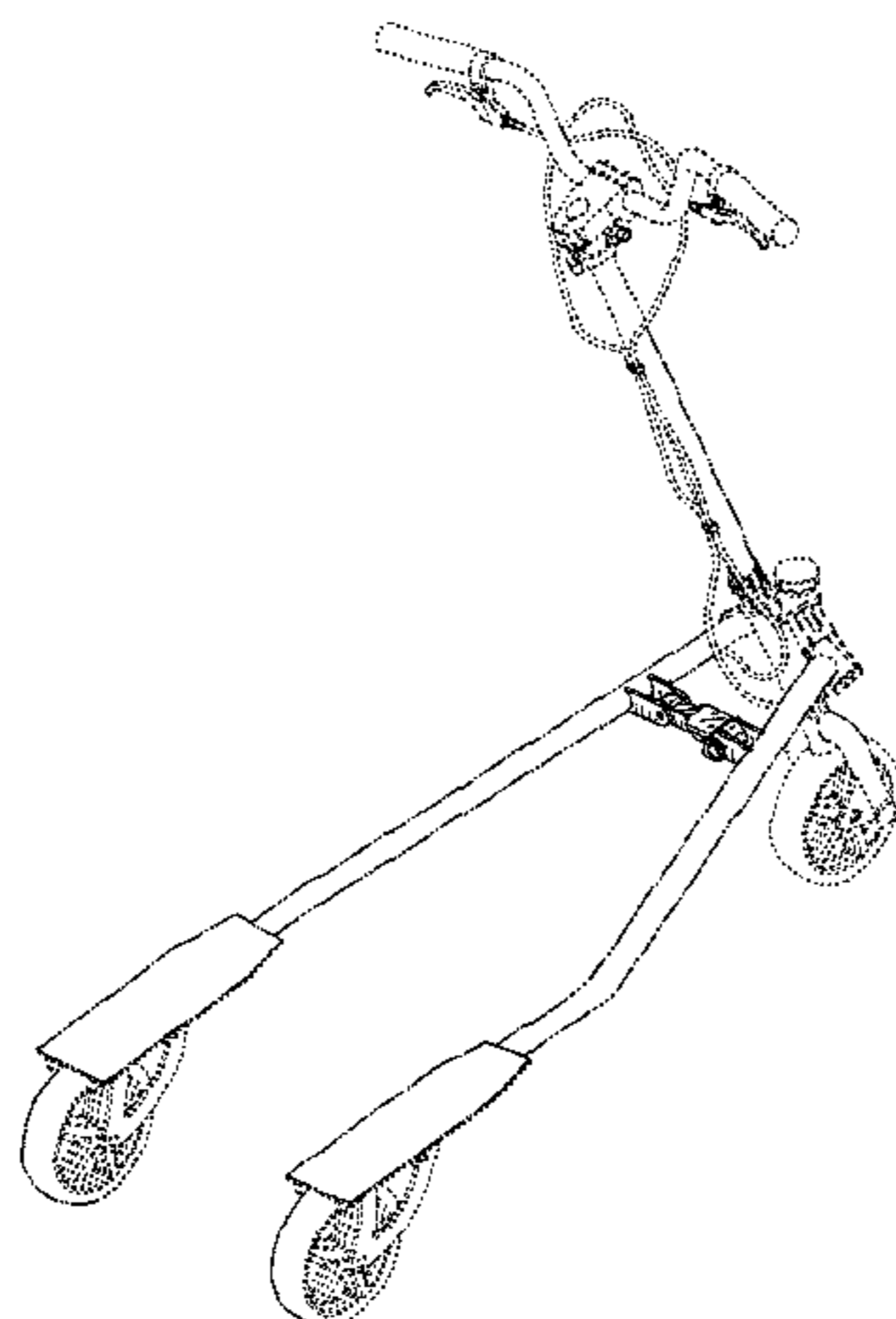
The ornamental design for a crossbar for a cambering vehicle, as shown and described.

DESCRIPTION

FIG. 1 is a perspective view of a cambering vehicle having a crossbar of my new design; FIG. 2 is a rear elevational view; and, FIG. 3 is top plan view.

The broken lines shown in FIGS. 1-3 are for illustrative purposes only and form no part of the claimed design.

1 Claim, 3 Drawing Sheets



US D495,758 S

Page 2

U.S. PATENT DOCUMENTS

6,499,751 B1 12/2002 Beleski, Jr.
6,554,302 B1 4/2003 Liu
2001/0003392 A1 6/2001 Rappaport
2002/0050695 A1 5/2002 Feng
2002/0063406 A1 5/2002 Feng

2002/0063411 A1 5/2002 Feng
2002/0064417 A1 5/2002 Feng
2002/0070519 A1 6/2002 Rappaport
2003/0006569 A1 1/2003 Combs
2003/0090076 A1 5/2003 Beleski, Jr.

* cited by examiner

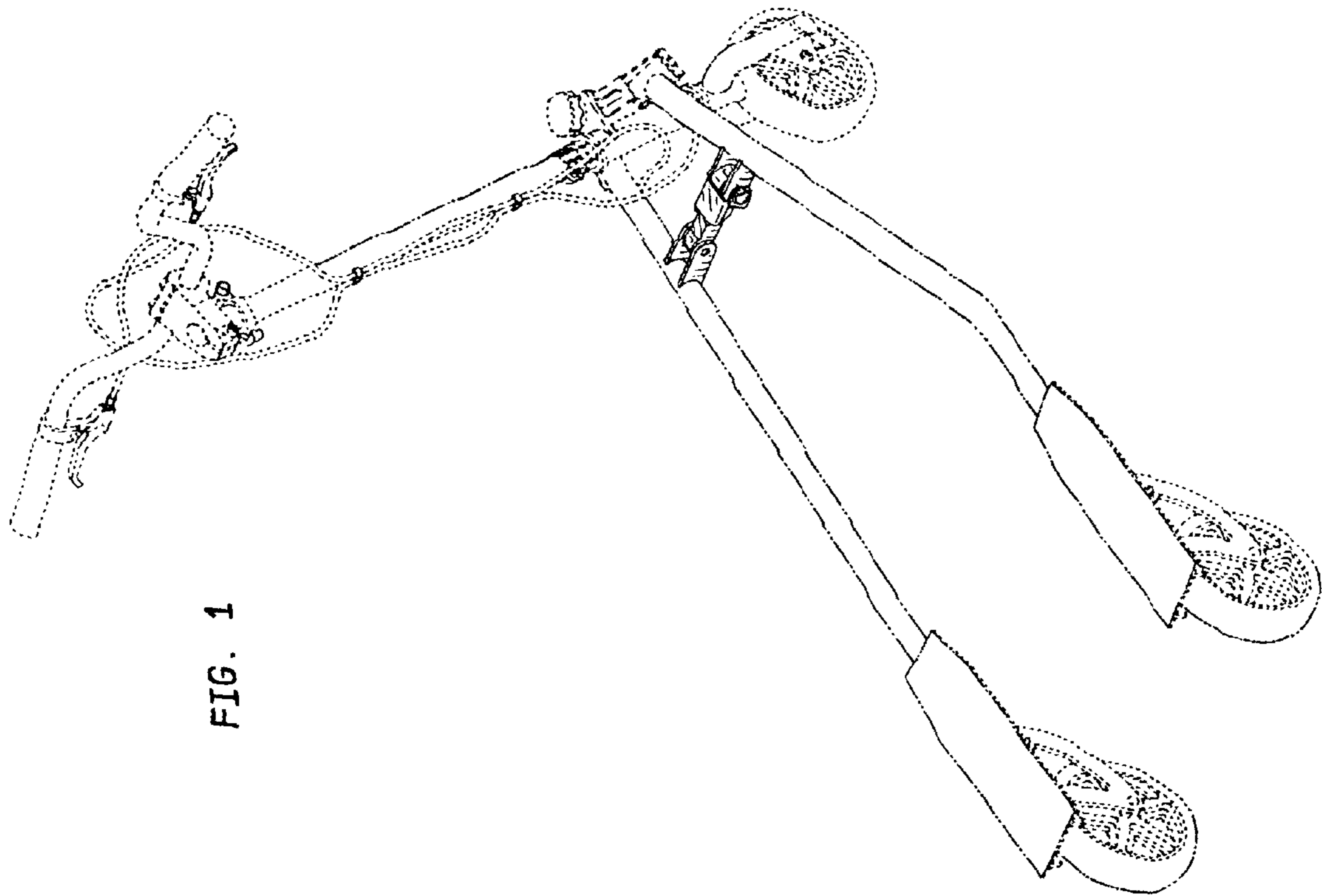


FIG. 1

FIG. 2

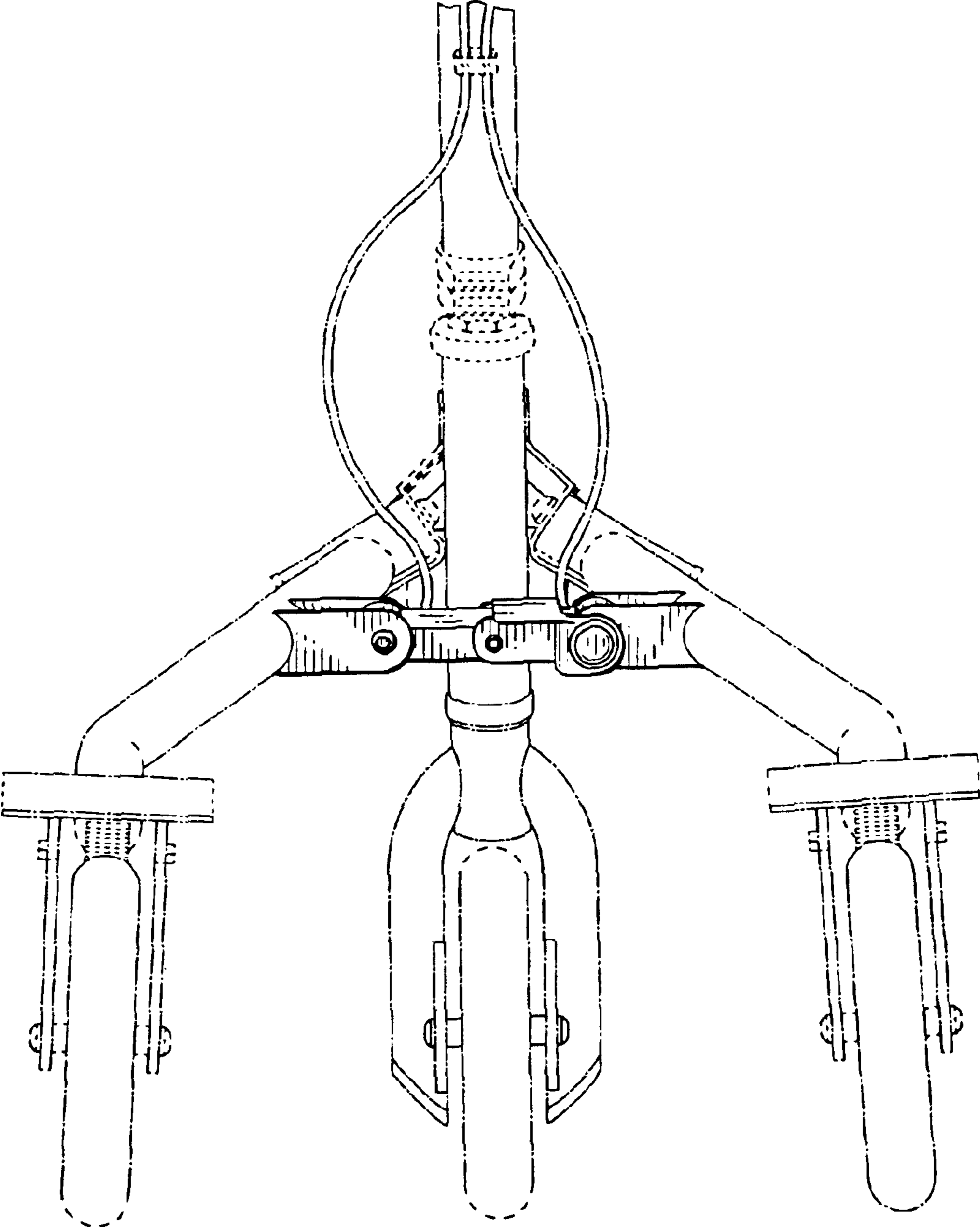


FIG. 3

