

US00D495757S1

(12) **United States Design Patent**  
**Juteau et al.**

(10) **Patent No.:** **US D495,757 S**  
(45) **Date of Patent:** **\*\* Sep. 7, 2004**

(54) **COMBINED SKATEBOARD AND TRICYCLE**

(76) Inventors: **Olivier Juteau**, 180 Ritchie, St. Donat, Quebec (CA), J0T SC0; **Alexis Lambert**, 442 Rue Nadon, St. Donat, Quebec (CA), J0T 2C0

(\*\*) Term: **14 Years**

(21) Appl. No.: **29/185,154**

(22) Filed: **Jun. 24, 2003**

(51) **LOC (7) Cl.** ..... **21-01**

(52) **U.S. Cl.** ..... **D21/423; D21/435**

(58) **Field of Search** ..... D21/419-435,  
D21/533, 760, 765, 771; D12/107, 110-113,  
117; 280/62, 282, 87.04, 87.041, 87.042,  
259, 278, 281.1, 287, 288.3

(56) **References Cited**

**U.S. PATENT DOCUMENTS**

D199,851 S \* 12/1964 Milligan ..... D12/113  
3,485,509 A \* 12/1969 Searle ..... 280/282  
4,526,390 A 7/1985 Skolnik  
4,540,192 A 9/1985 Shelton

5,039,121 A 8/1991 Holter  
5,328,193 A 7/1994 Shiew  
5,785,331 A 7/1998 Rappaport  
D443,000 S 5/2001 Chen  
D444,184 S \* 6/2001 Kettler ..... D21/423  
D476,042 S \* 6/2003 Hsieh ..... D21/765  
D478,535 S \* 8/2003 Chen ..... D12/113

\* cited by examiner

*Primary Examiner*—Raphael Barkai

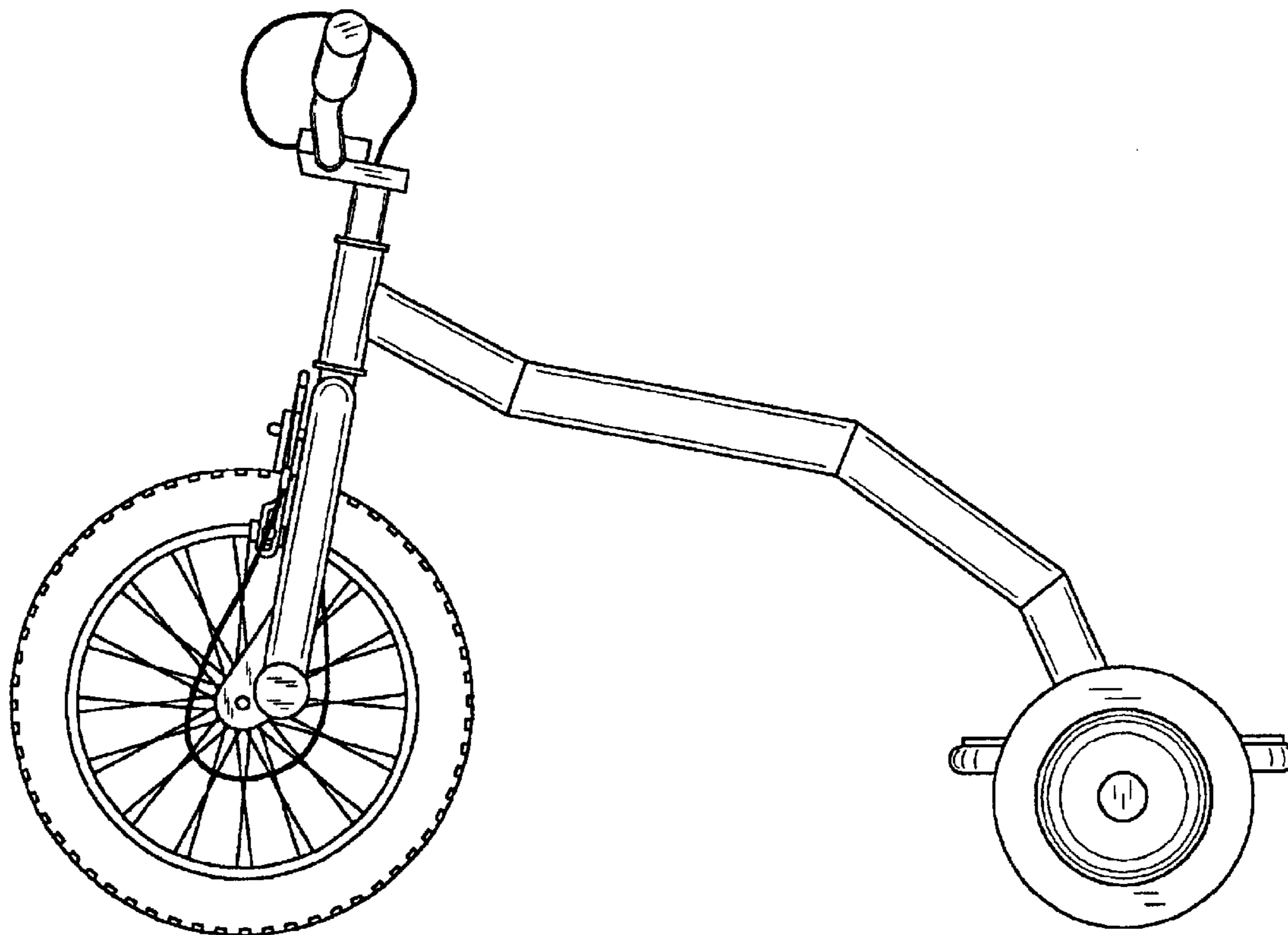
(57) **CLAIM**

The ornamental design for a combined skateboard and tricycle, as shown and described.

**DESCRIPTION**

FIG. 1 is a left side elevational view of a combined skateboard and tricycle showing my new design; FIG. 2 is a right side elevational view thereof; FIG. 3 is a front elevational view thereof; FIG. 4 is a rear elevational view thereof; FIG. 5 is a top plan view thereof; and, FIG. 6 is a bottom plan view thereof.

**1 Claim, 6 Drawing Sheets**



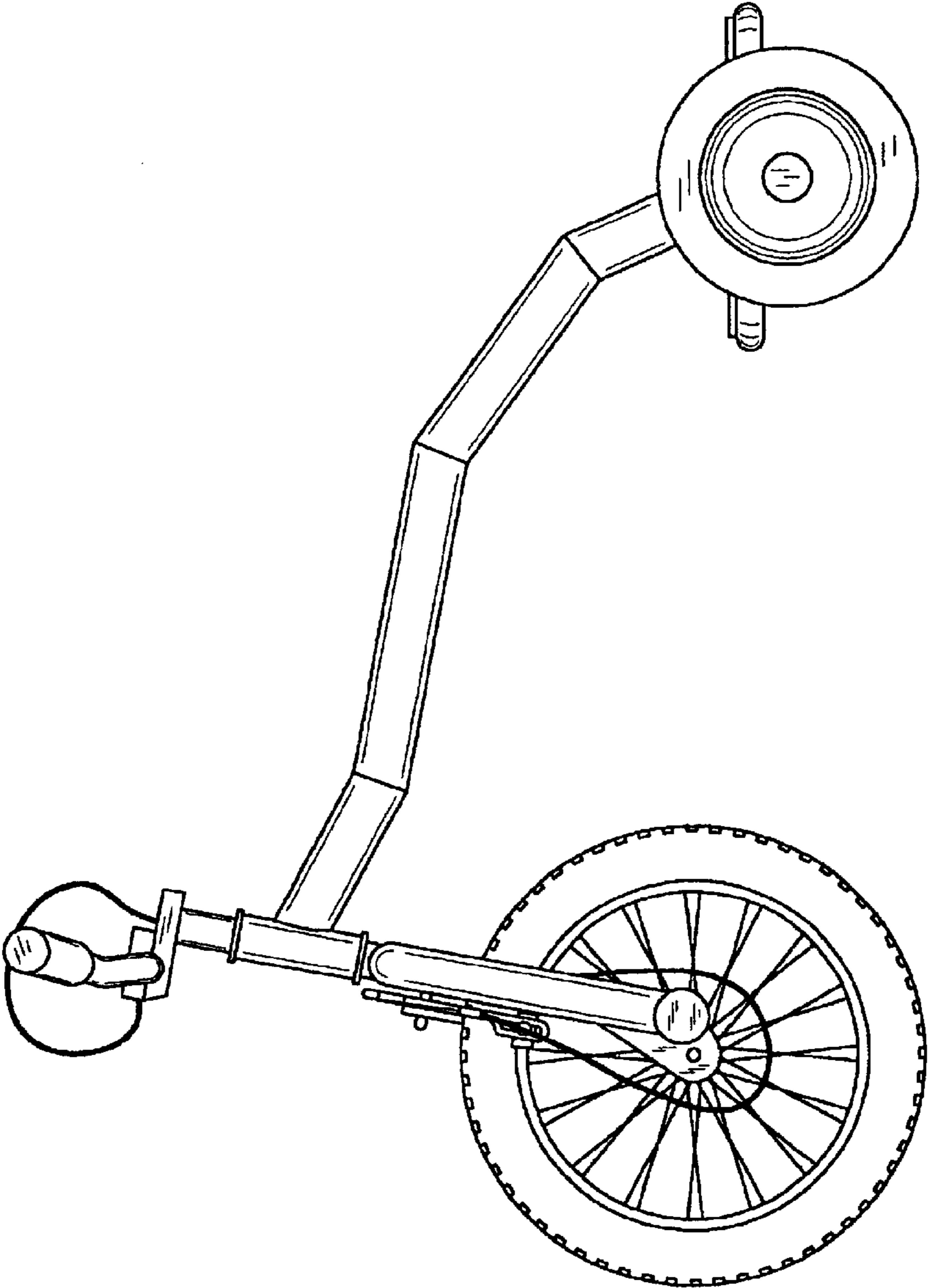


FIG. 1

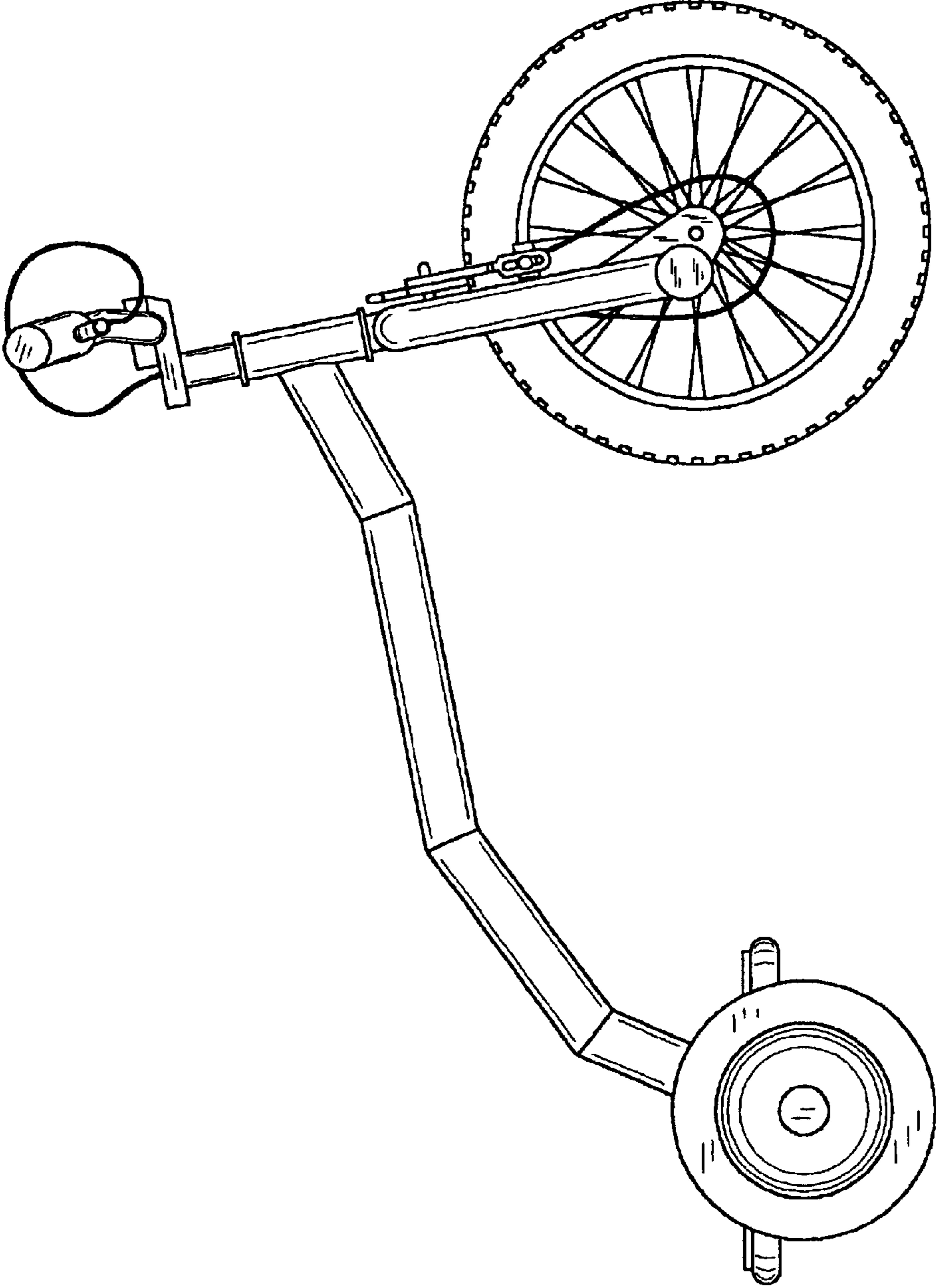


FIG. 2

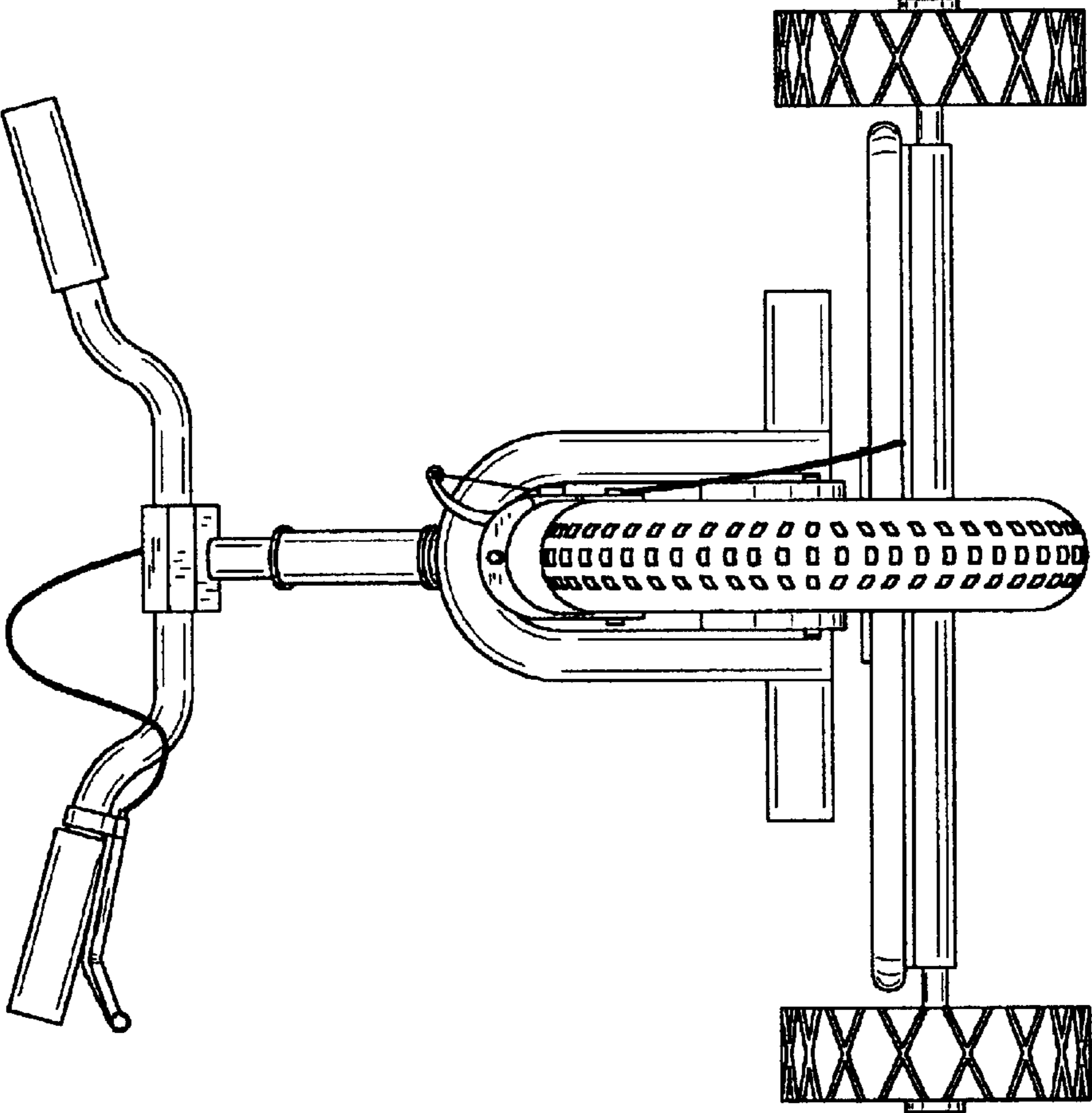


FIG. 3

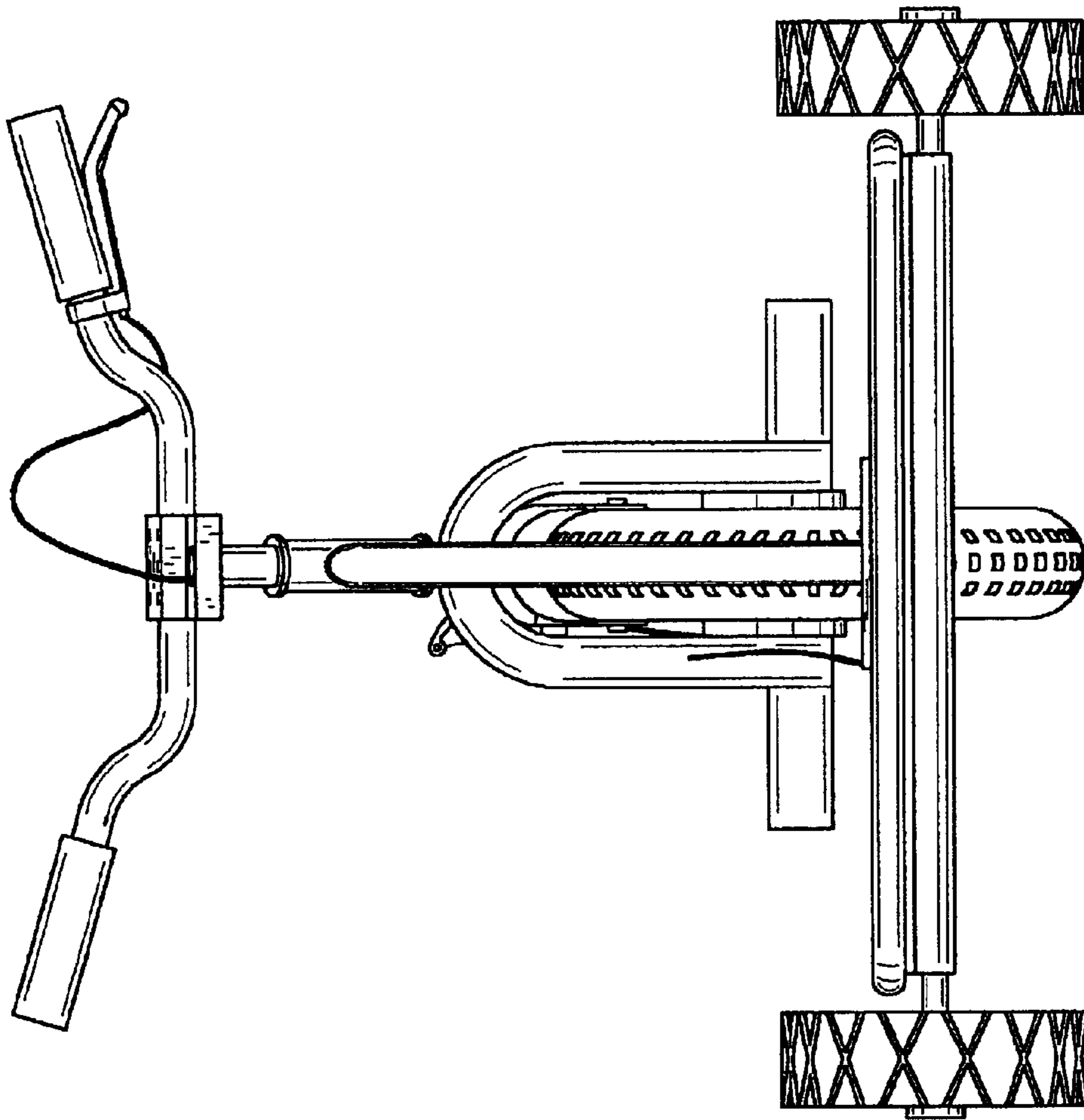


FIG. 4

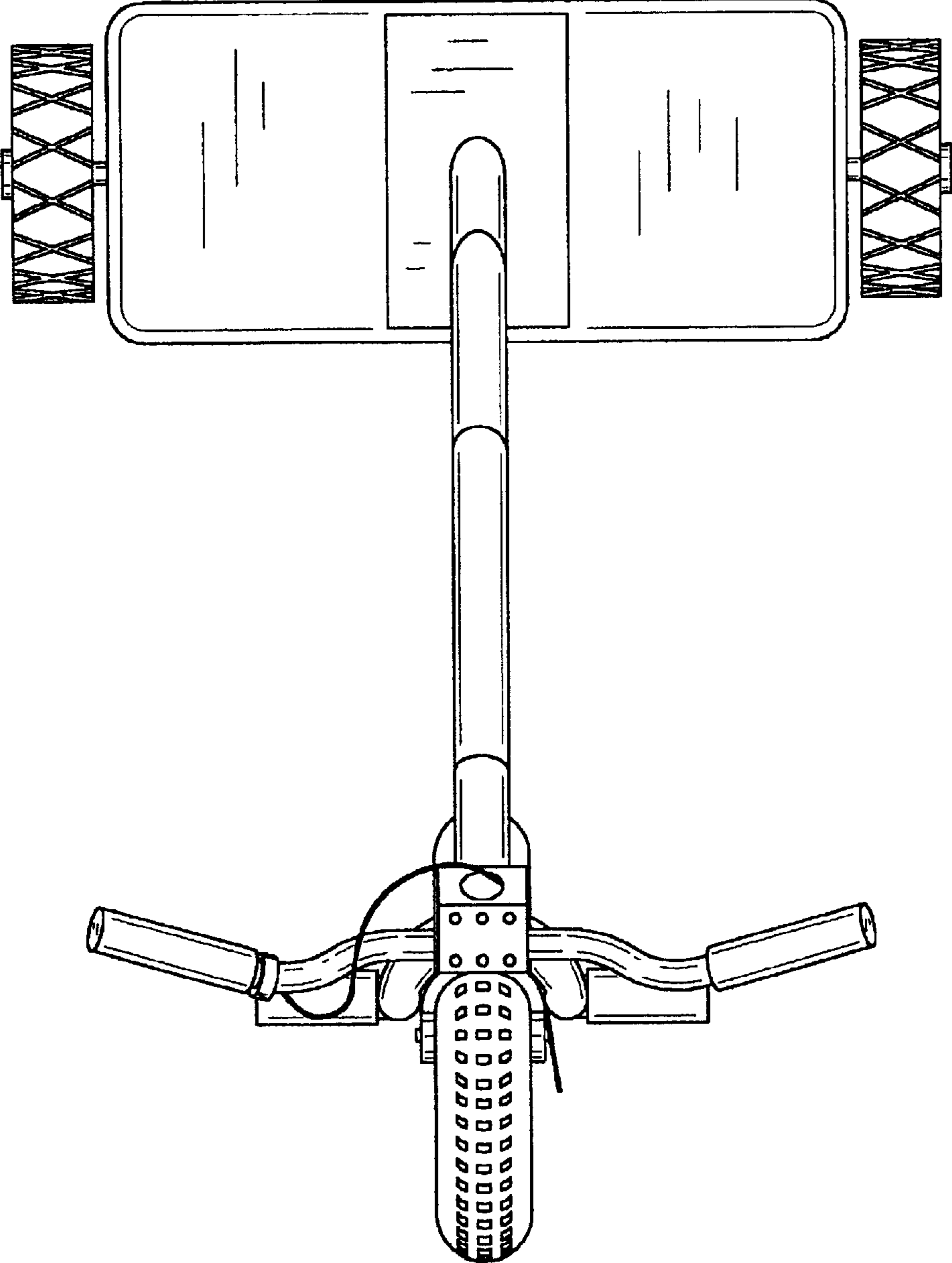


FIG. 5

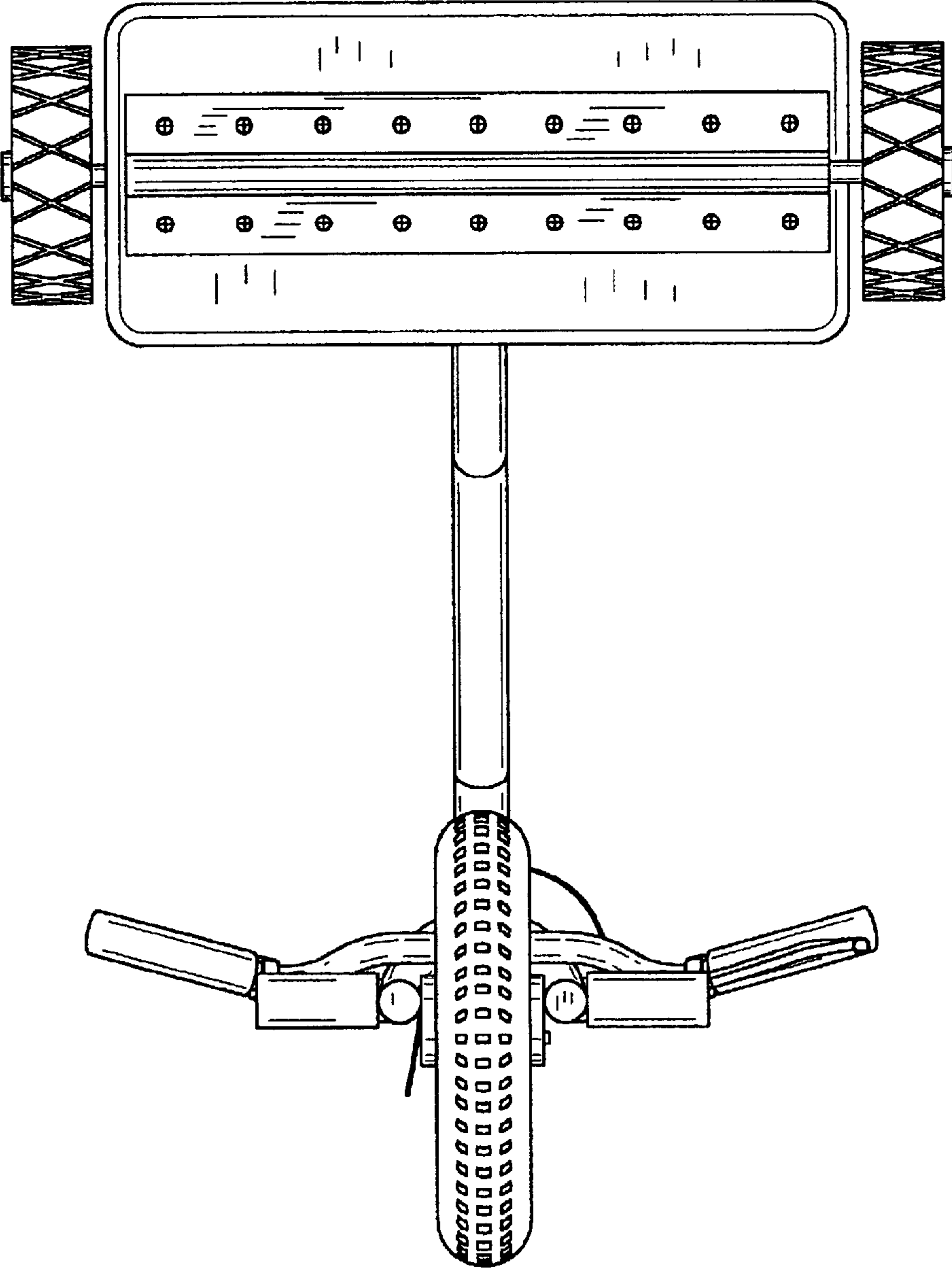


FIG. 6