

US00D495755S1

(12) **United States Design Patent**
Wurz et al.

(10) **Patent No.:** **US D495,755 S**
(45) **Date of Patent:** **** Sep. 7, 2004**

(54) **GAMING MACHINE**

(75) Inventors: **Norman R. Wurz**, Des Plaines, IL (US); **James M. Rasmussen**, Chicago, IL (US); **William C. Cesaroni**, Glenview, IL (US); **Robert J. Glenn, II**, Chicago, IL (US); **Jack B. Hough**, Chicago, IL (US)

(73) Assignee: **WMS Gaming Inc.**, Waukegan, IL (US)

(**) Term: **14 Years**

(21) Appl. No.: **29/186,826**

(22) Filed: **Jul. 23, 2003**

(51) **LOC (7) Cl.** **21-03**

(52) **U.S. Cl.** **D21/370; D21/325**

(58) **Field of Search** D21/325, 329, D21/369-371, 374, 385; 273/138.1; 463/16-17, 20, 46-47

(56) **References Cited**

U.S. PATENT DOCUMENTS

5,411,257 A 5/1995 Fulton 273/85
5,820,460 A 10/1998 Fulton 463/13

D419,606 S 1/2000 Toriyama D21/325
D428,062 S 7/2000 Hayashi D21/325
D434,377 S * 11/2000 Bussett et al. D21/325
D446,252 S 8/2001 Yamaguchi D21/325
6,290,229 B1 9/2001 Perez 273/148
D459,402 S 6/2002 Wurz et al. D21/325
D468,364 S * 1/2003 Beadell et al. D21/325

* cited by examiner

Primary Examiner—Sandra L. Morris

(57) **CLAIM**

The ornamental design for a “gaming machine,” as shown and described.

DESCRIPTION

FIG. 1 is an isometric view of a gaming machine showing our new design.

FIG. 2 is a front elevational view thereof.

FIG. 3 is a right side elevational view thereof.

FIG. 4 is a left side elevational view thereof.

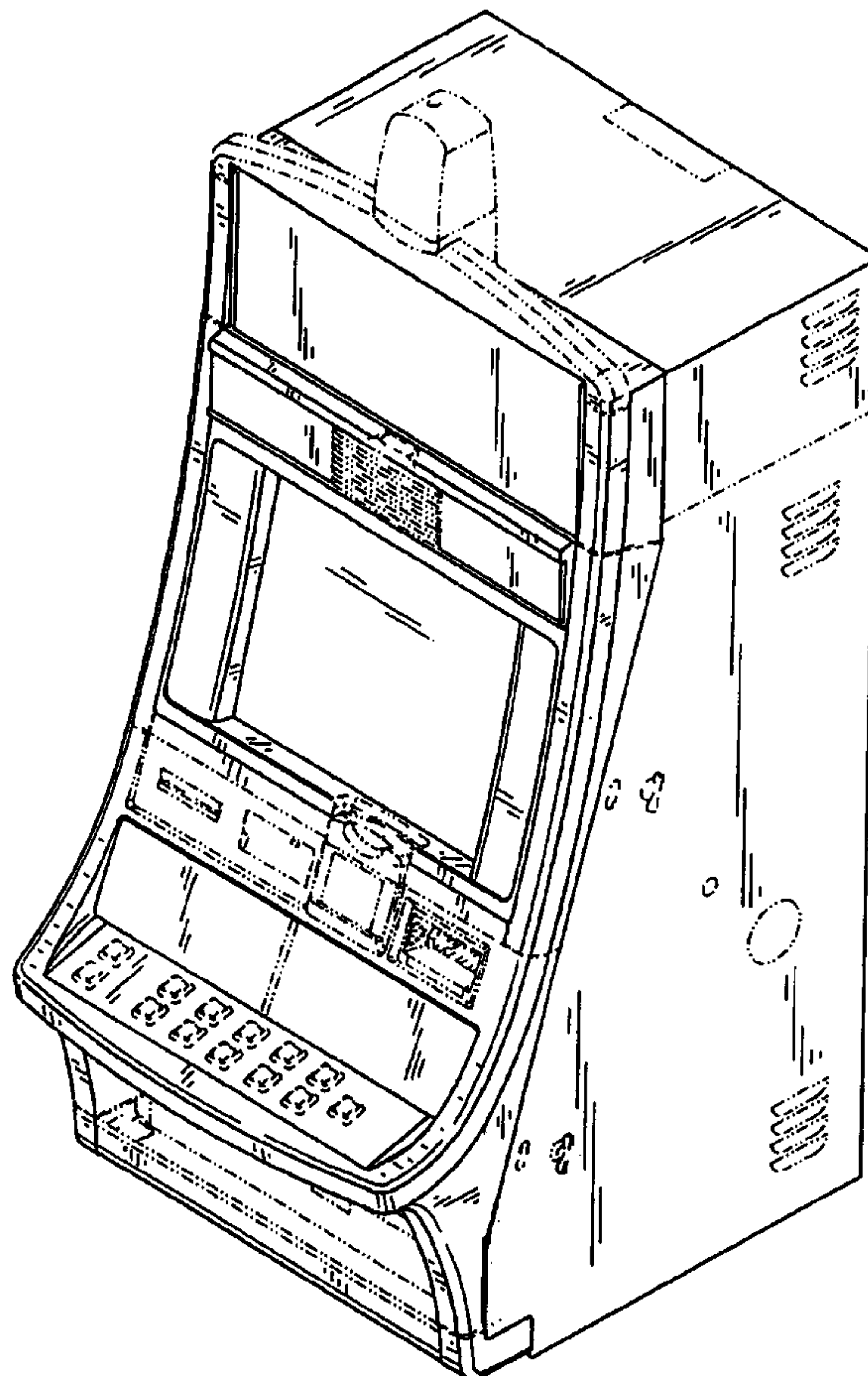
FIG. 5 is a top plan view thereof; and

FIG. 6 is a bottom plan view thereof; and,

FIG. 7 is a rear elevational view thereof.

The broken lines shown are for illustrative purposes only and form no part of the claimed design.

1 Claim, 7 Drawing Sheets



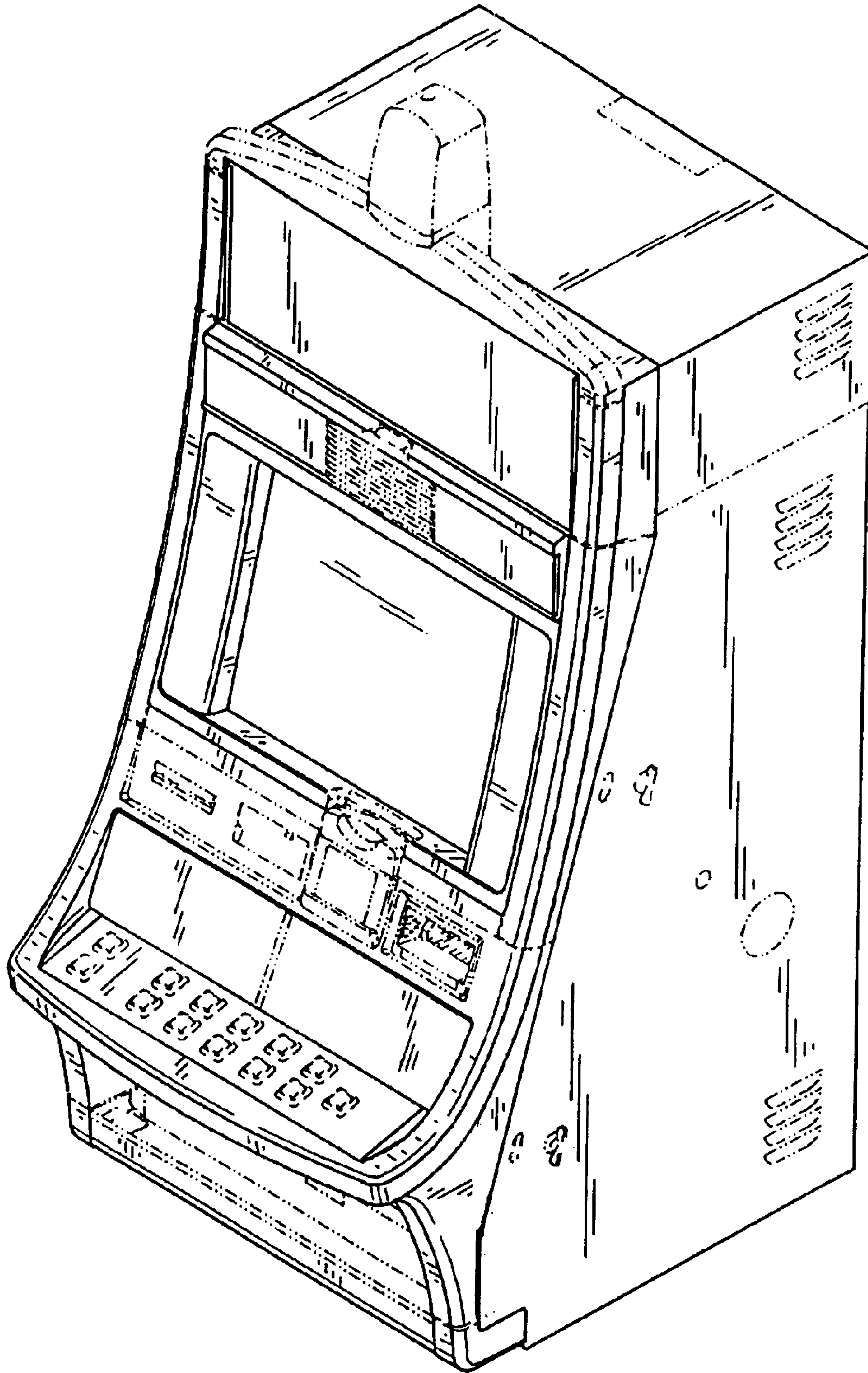


FIG. 1

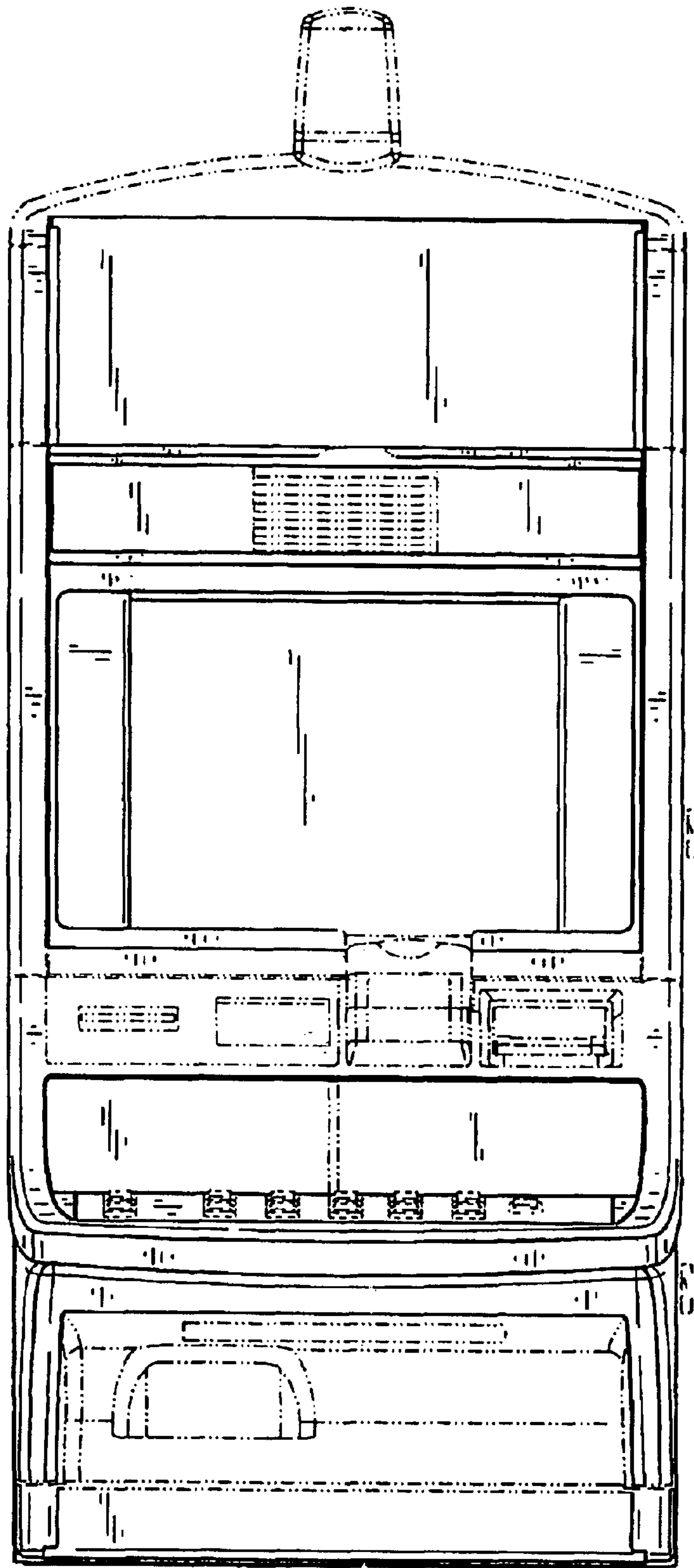


FIG. 2

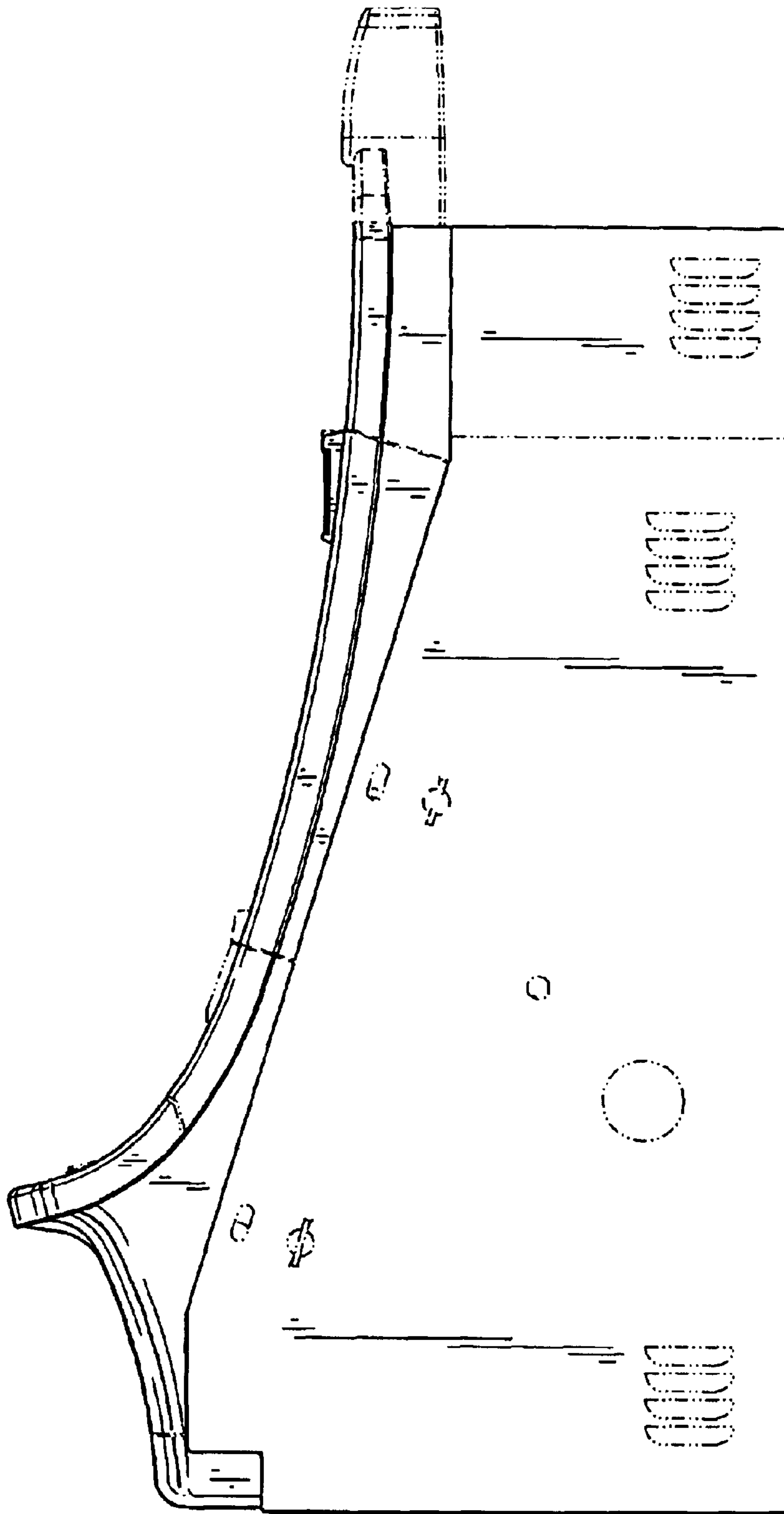


FIG. 3

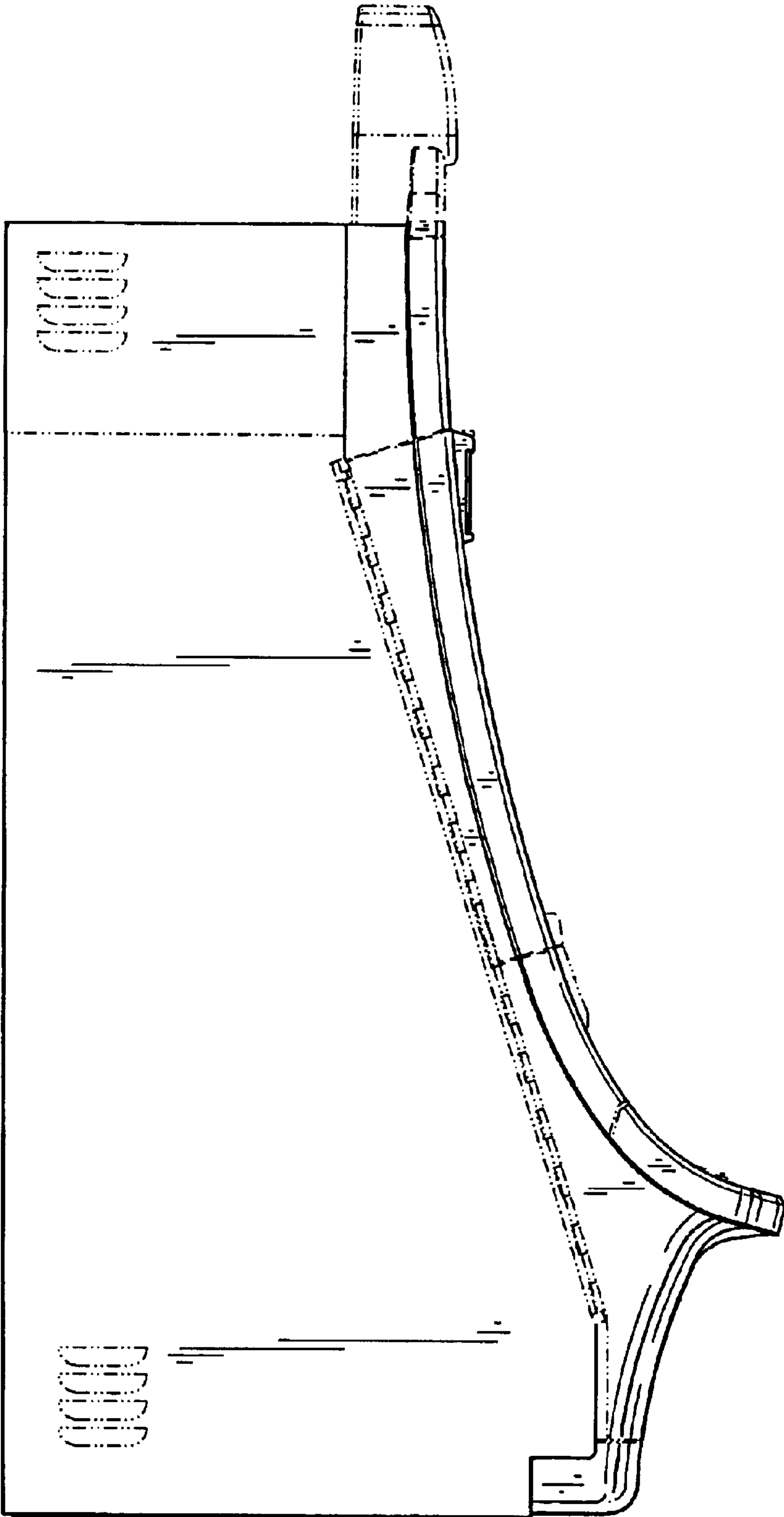


FIG. 4

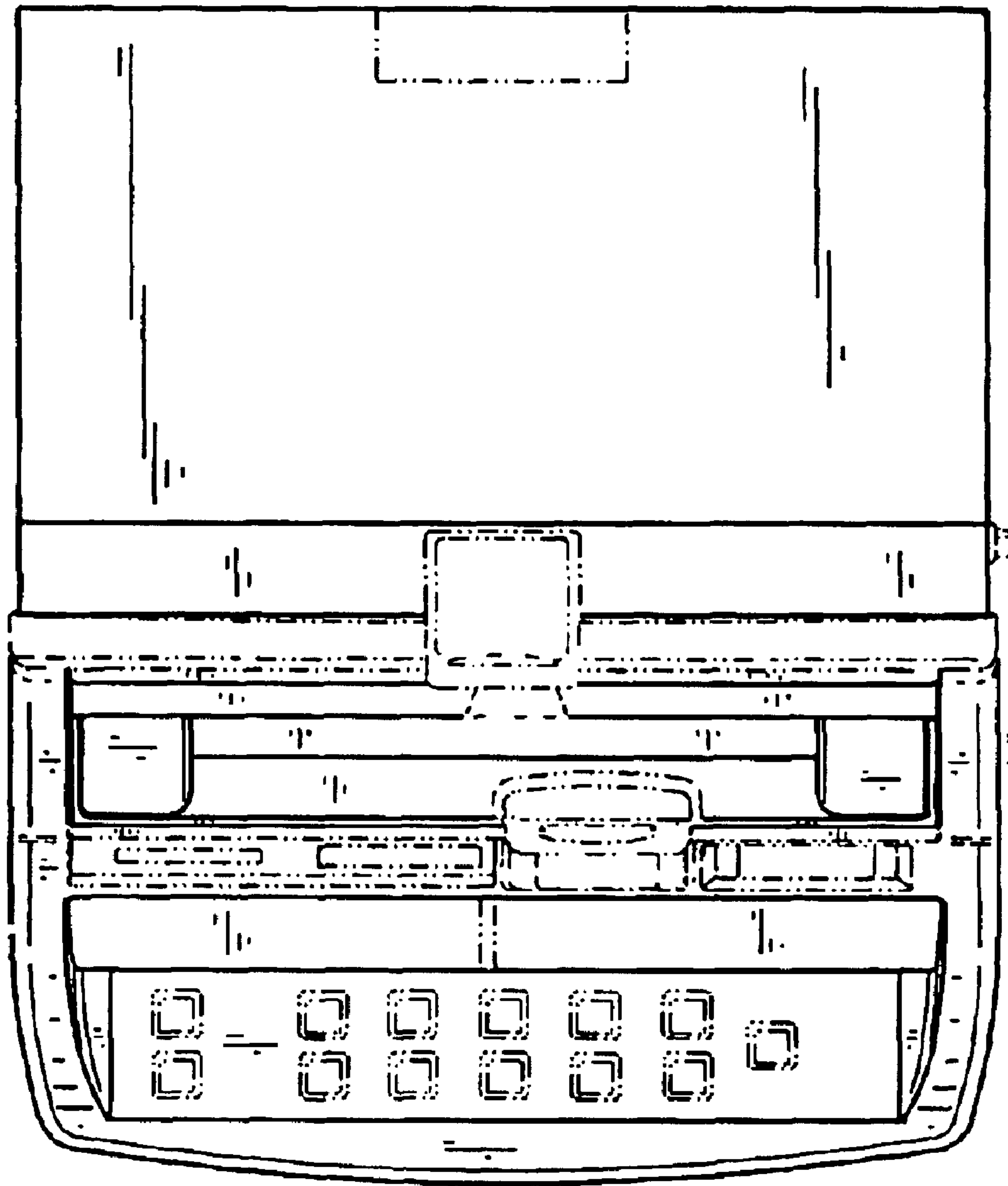


FIG. 5

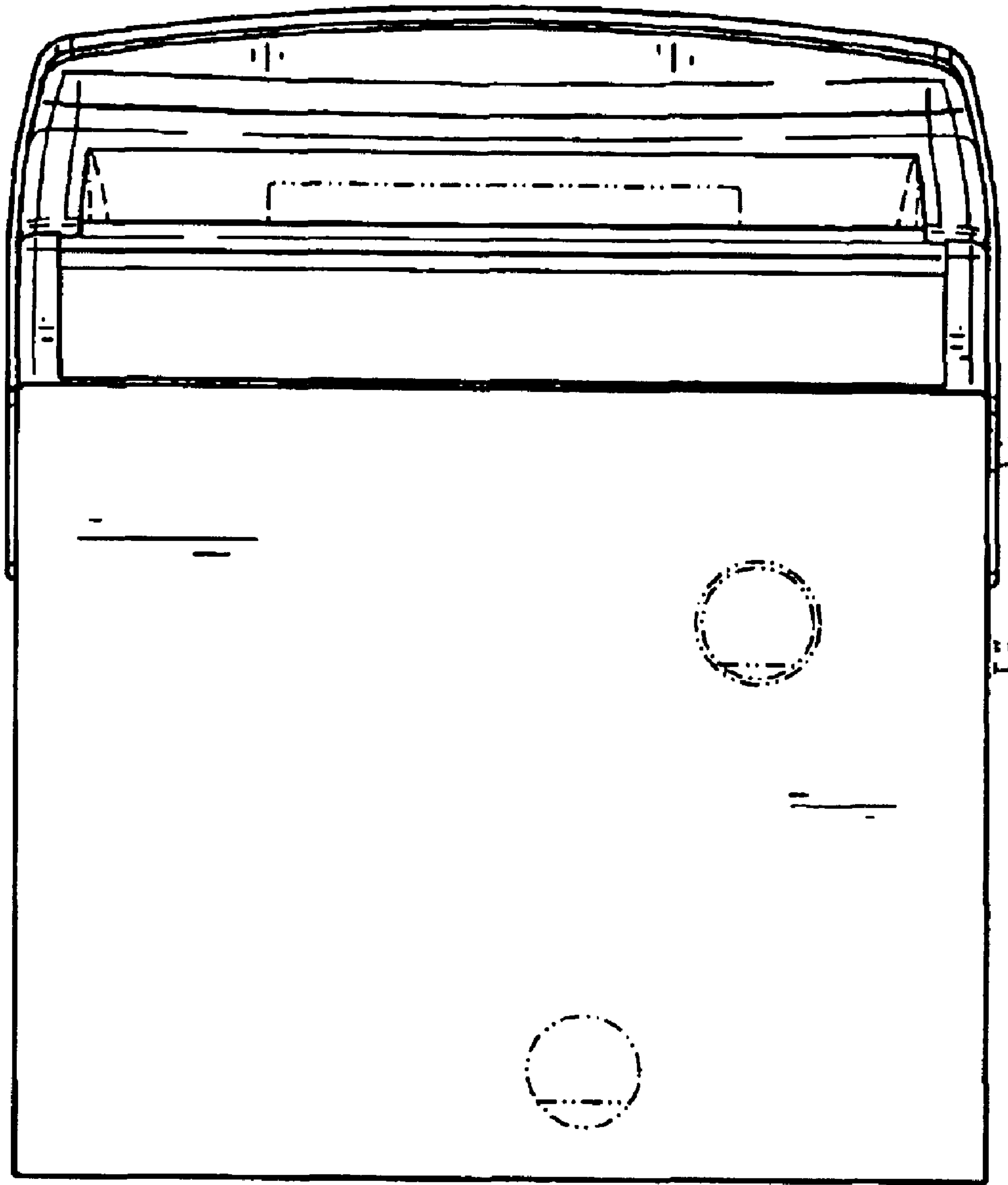


FIG. 6

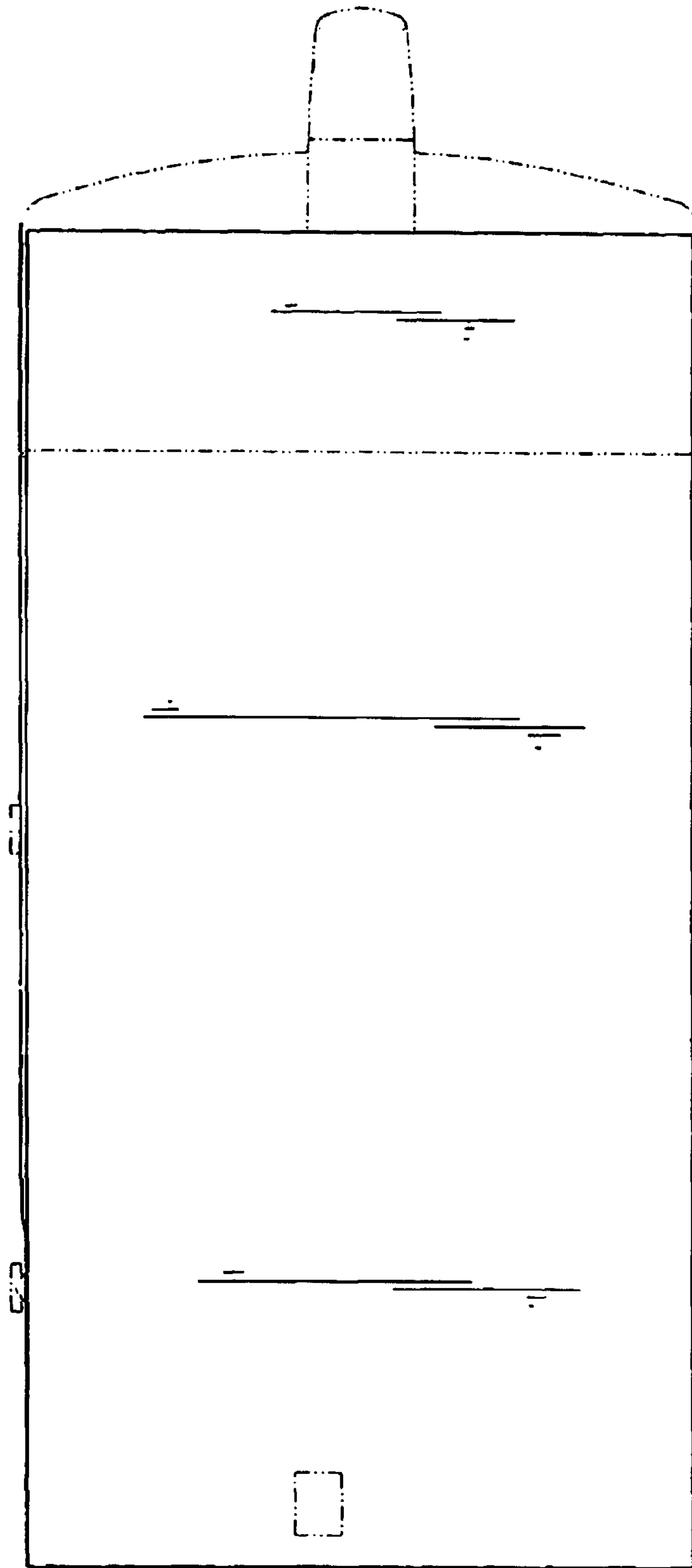


FIG. 7