

US00D495752S1

(12) **United States Design Patent**
Hussaini et al.

(10) **Patent No.:** **US D495,752 S**
(45) **Date of Patent:** **** Sep. 7, 2004**

(54) **GAME HOLDER DEVICE**

D464,996 S * 10/2002 Hussaini et al. D21/333
D470,192 S * 2/2003 Ku D21/333

(75) Inventors: **Saied Hussaini**, Miami, FL (US); **Marc Lacovelli**, Miami, FL (US)

* cited by examiner

(73) Assignee: **Intec Inc.**, Miami, FL (US)

Primary Examiner—Prabhakar Deshmukh
(74) *Attorney, Agent, or Firm*—Liniak, Berenato & White

(**) Term: **14 Years**

(57) **CLAIM**

(21) Appl. No.: **29/188,223**

The ornamental design for game holder device, as shown and described.

(22) Filed: **Aug. 15, 2003**

DESCRIPTION

(51) **LOC (7) Cl.** **21-01**

(52) **U.S. Cl.** **D21/333; D21/385**

(58) **Field of Search** D21/324, 333,
D21/385, 328; 273/148 B, 148 A, 459;
463/46, 47, 1, 29-35, 49; 345/905, 156;
D14/496

FIG. 1 is a front view of the game holder device according to the present invention.

FIG. 2 is a rear view of the game holder device of FIG. 1.

FIG. 3 is a right side view of the game holder device of FIG. 1.

FIG. 4 is a left side view of the game holder device of FIG. 1.

FIG. 5 is a top view of the game holder device of FIG. 1.

FIG. 6 is a bottom view of the game holder device of FIG. 1; and,

FIG. 7 is a perspective view of the game holder device according to the present invention.

The broken lines are for illustrative purpose only and form no part of the claimed design.

(56) **References Cited**

U.S. PATENT DOCUMENTS

4,422,640 A	*	12/1983	Tamarkin	463/47
D273,165 S	*	3/1984	Sternberg	D6/495
5,046,739 A	*	9/1991	Reichow	273/148 B
5,209,478 A	*	5/1993	Simpson	273/148 B
D338,053 S	*	8/1993	Underhill et al.	D14/454
5,829,745 A	*	11/1998	Houle	273/148 B
D457,193 S	*	5/2002	Brulotte et al.	D21/333
D462,396 S	*	9/2002	Hussaini et al.	D21/333

1 Claim, 7 Drawing Sheets

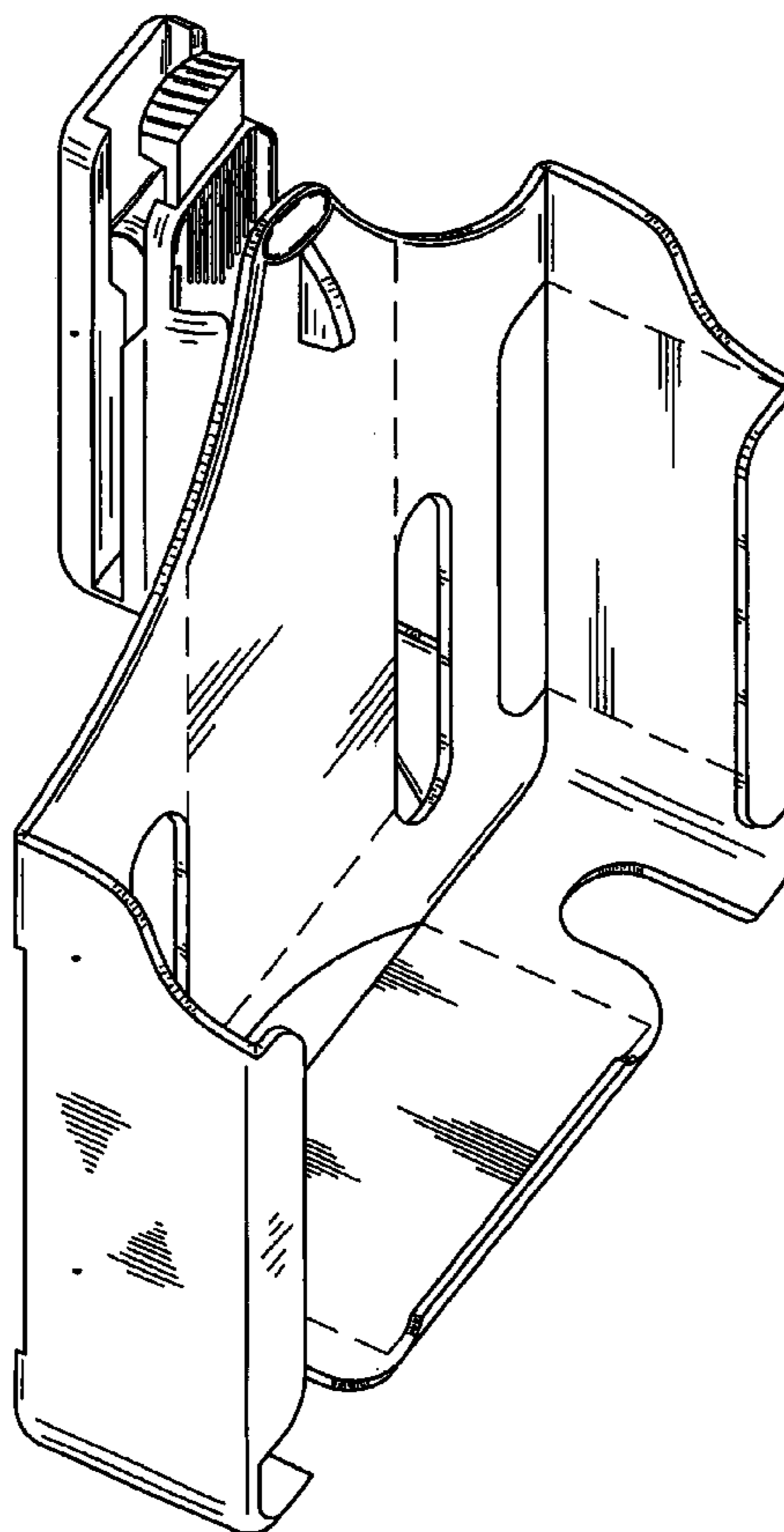


Fig. 1

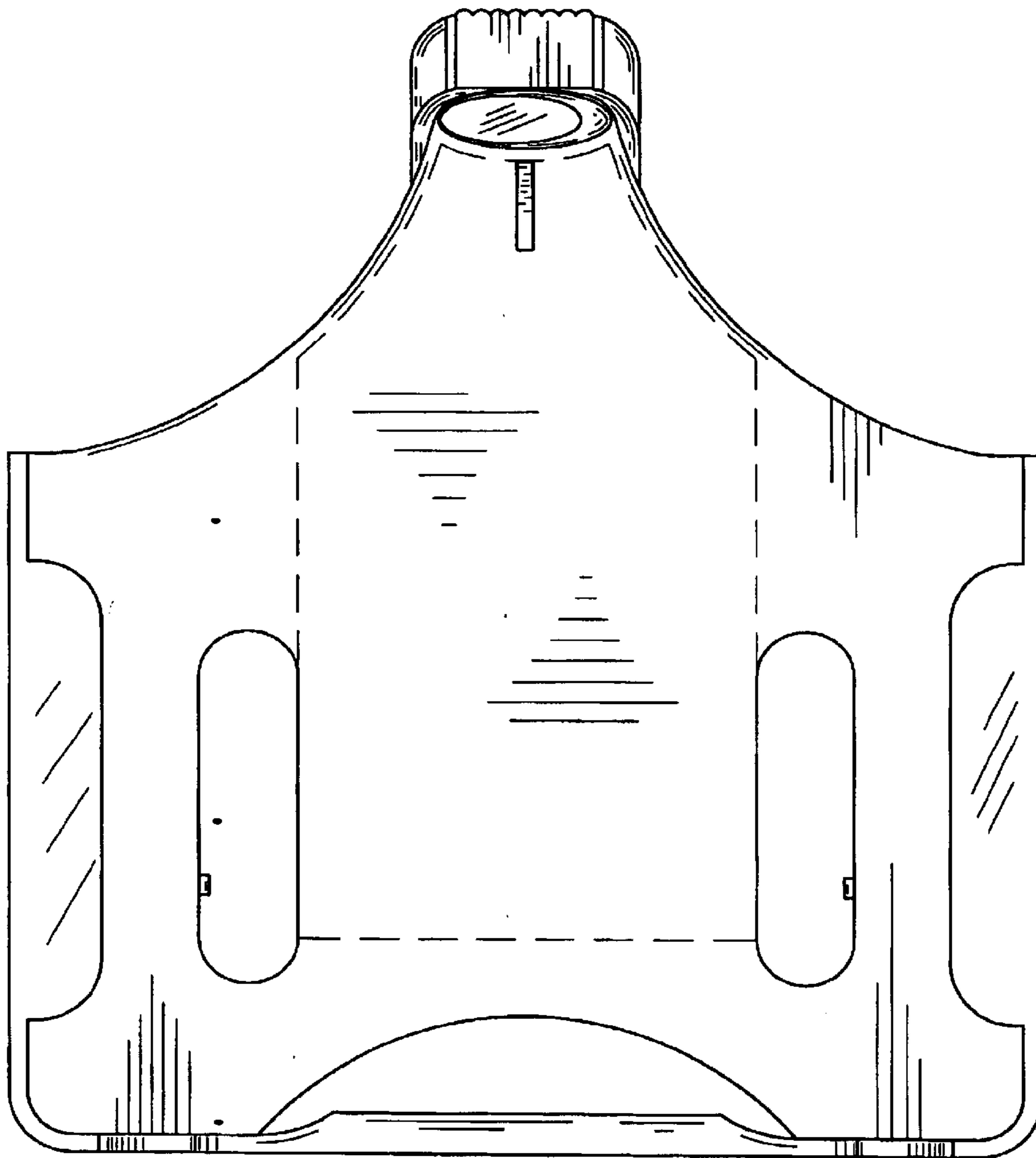


Fig. 2

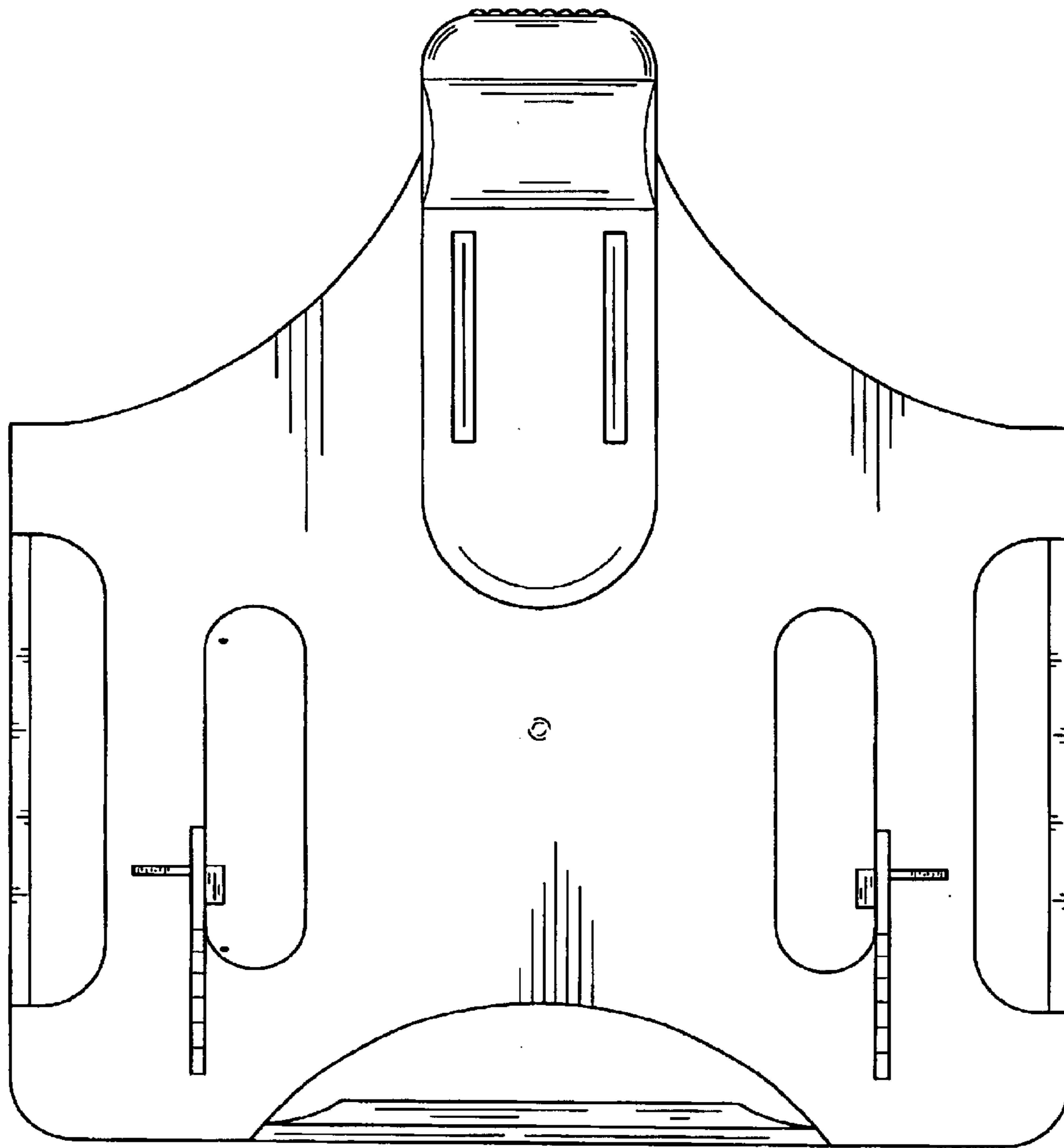


Fig. 3

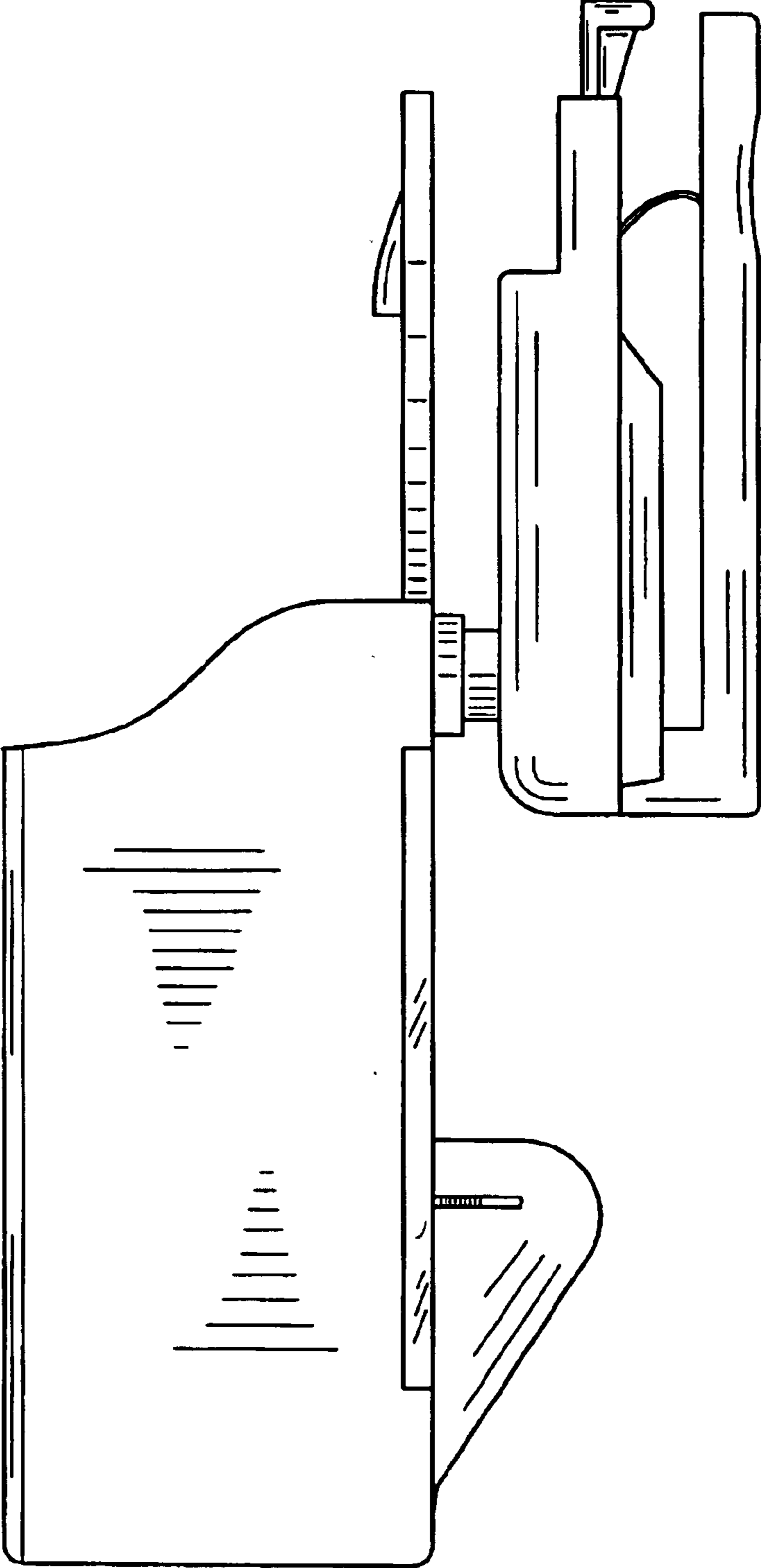


Fig. 4

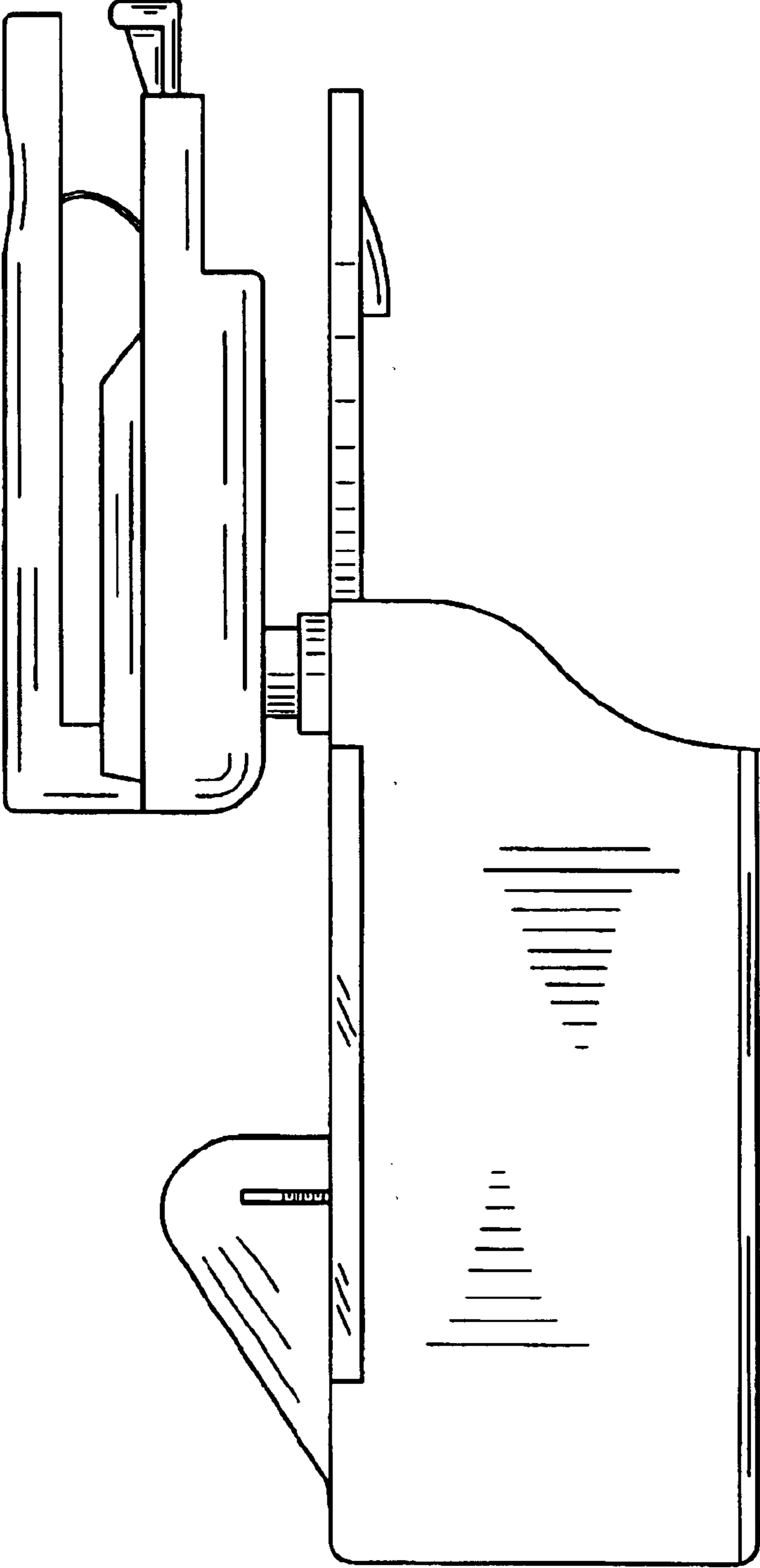


Fig. 5

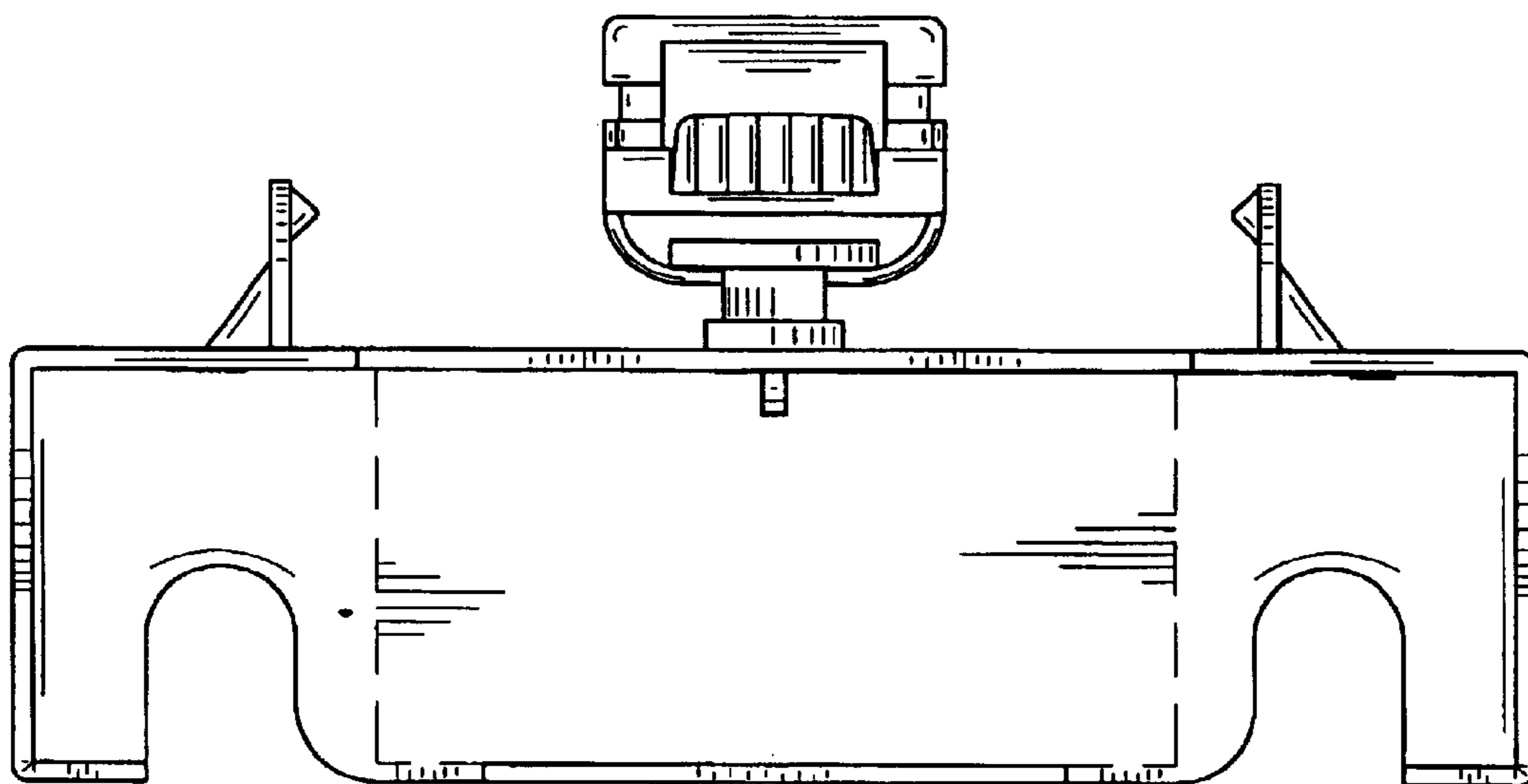


Fig. 6

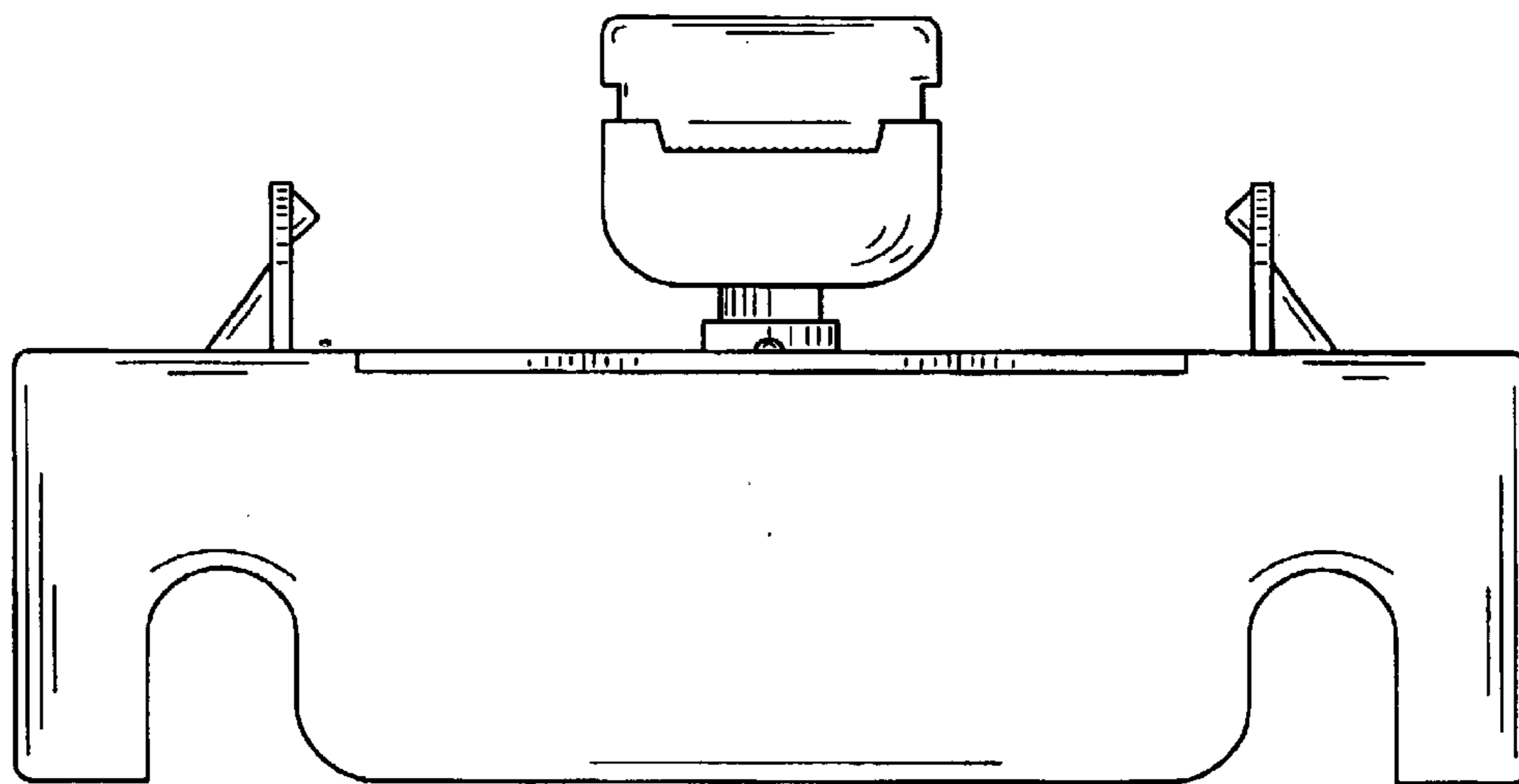


Fig. 7

