

US00D495746S1

(12) **United States Design Patent**
Chen

(10) **Patent No.: US D495,746 S**

(45) **Date of Patent: ** Sep. 7, 2004**

(54) **CLIPBOARD STORAGE BOX**

(75) Inventor: **Peter Chen**, West Windsor, NJ (US)

(73) Assignee: **Officemate International Corporation**,
Edison, NJ (US)

(**) Term: **14 Years**

(21) Appl. No.: **29/190,869**

(22) Filed: **Sep. 26, 2003**

(51) **LOC (7) Cl. 19-02**

(52) **U.S. Cl. D19/88; D19/65; D19/78**

(58) **Field of Search D19/35, 36, 65,**
D19/75, 77, 78, 81-85, 86, 88, 90, 91,
99, 100; 248/441.1, 442.2, 451-453; 206/214,
224, 371; 40/371-379; 312/190, 231; D6/406;
281/42, 45

(56) **References Cited**

U.S. PATENT DOCUMENTS

D182,577 S	*	4/1958	Fleming	D19/88
D255,251 S	*	6/1980	Hansen et al.	D19/88
D282,792 S	*	3/1986	Zinbarg	D6/406
4,896,927 A	*	1/1990	Liu et al.	312/190
D313,819 S	*	1/1991	Craft, Jr. et al.	D19/88
D324,399 S	*	3/1992	Murphy	D19/88
5,174,607 A	*	12/1992	Hill	281/45
5,324,076 A	*	6/1994	Nieradka	281/45

D356,823 S	*	3/1995	Tarozzi	D19/36
D364,188 S	*	11/1995	Wolff	D19/65
D379,477 S	*	5/1997	Shamoon	D19/88
D398,650 S	*	9/1998	Shamoon	D19/90 X
D428,927 S	*	8/2000	Chang	D19/88

* cited by examiner

Primary Examiner—Martie K. Holtje

(74) *Attorney, Agent, or Firm*—Daniel Kirshner, Esq.

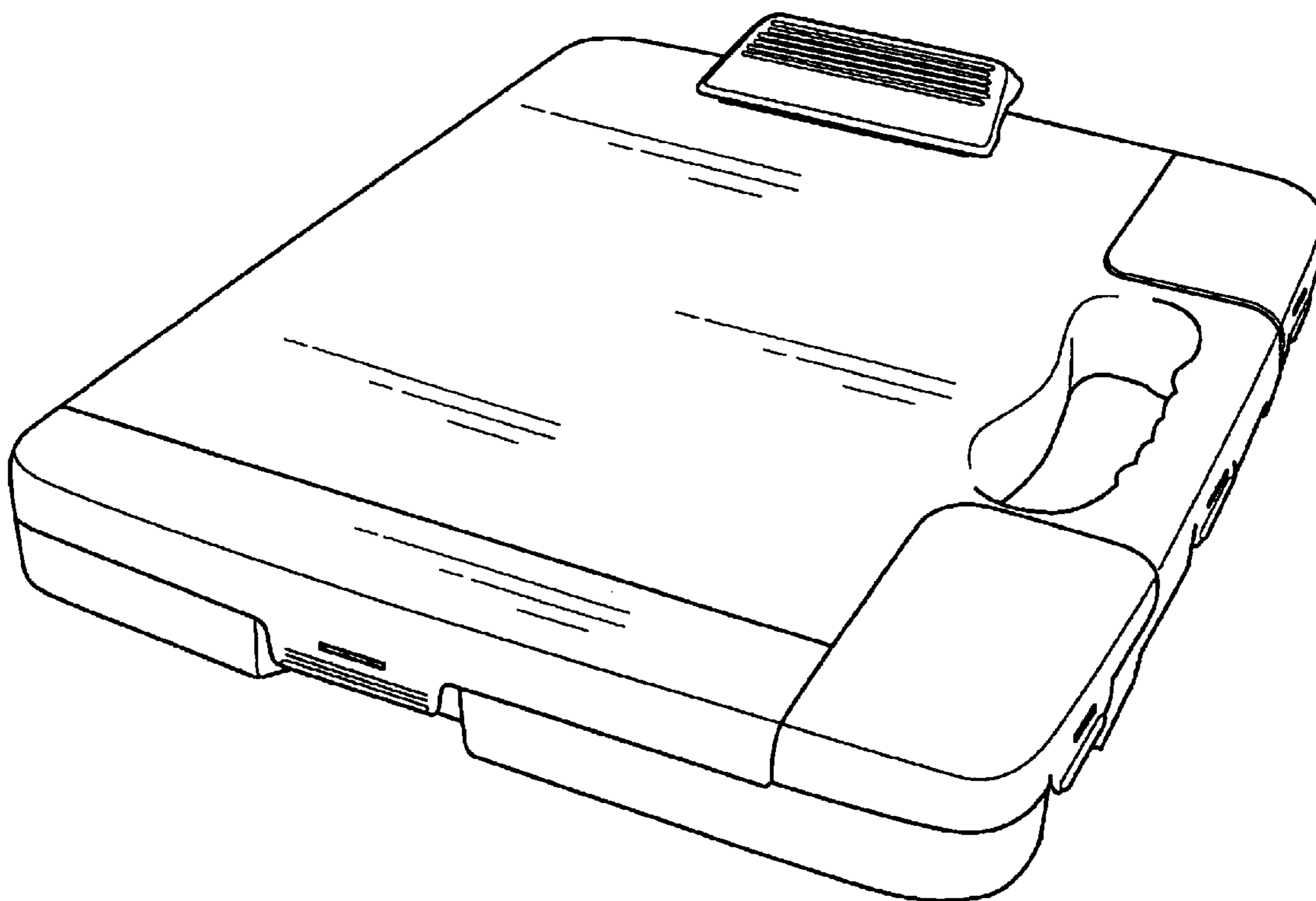
(57) **CLAIM**

The ornamental design for a clipboard storage box, as shown and described.

DESCRIPTION

FIG. 1 is a front perspective view of a clipboard storage box showing my new design;
 FIG. 2 is a front elevational view thereof;
 FIG. 3 is a rear elevational view thereof;
 FIG. 4 is a right side elevational view thereof;
 FIG. 5 is a left side elevational view thereof;
 FIG. 6 is a top plan view thereof;
 FIG. 7 is a bottom plan view thereof;
 FIG. 8 is a front perspective view thereof with the bottom and side storage compartment doors in an opened condition;
 and,
 FIG. 9 is a front perspective view thereof with the main storage compartment door in an opened condition.

1 Claim, 7 Drawing Sheets



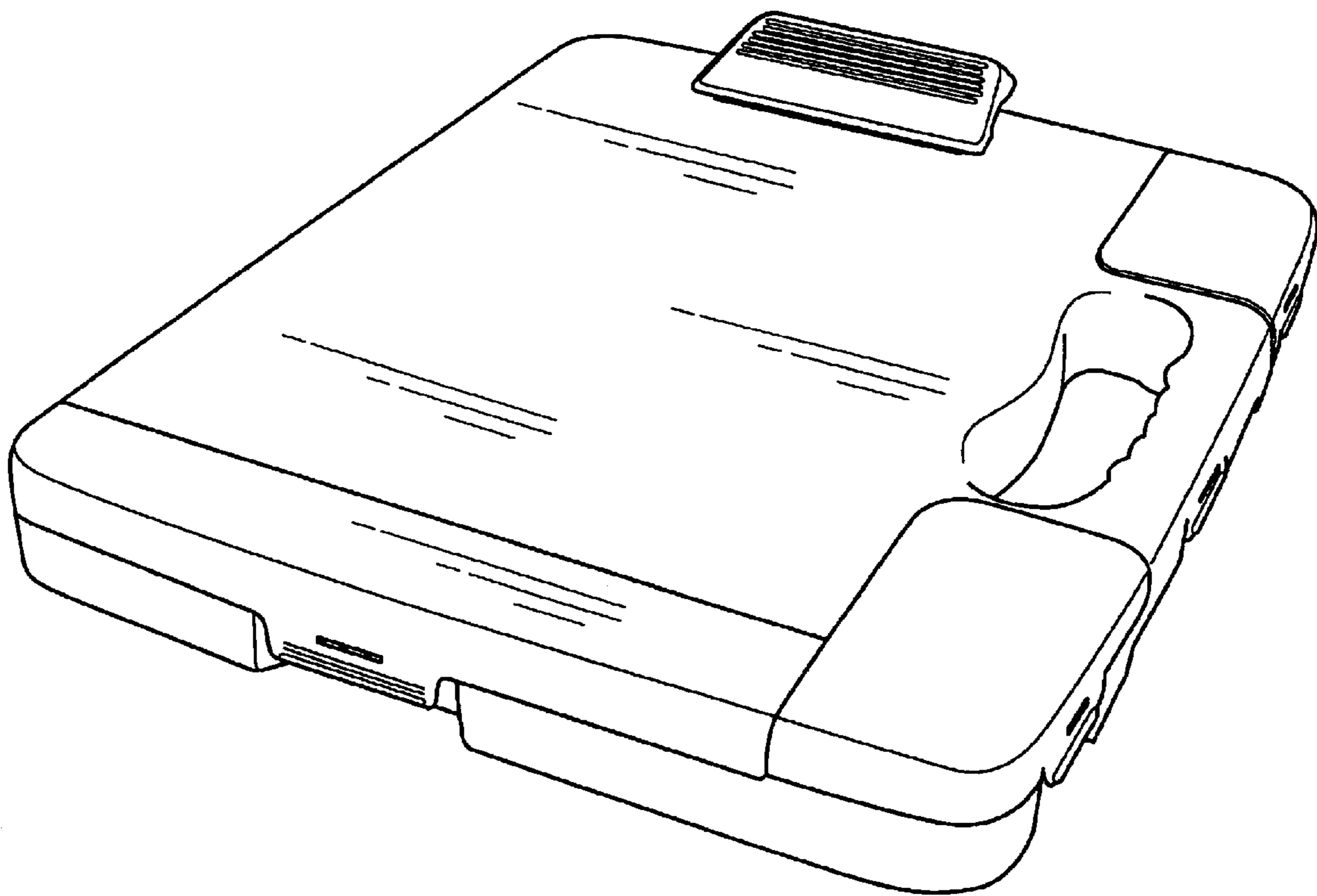


FIG. 1

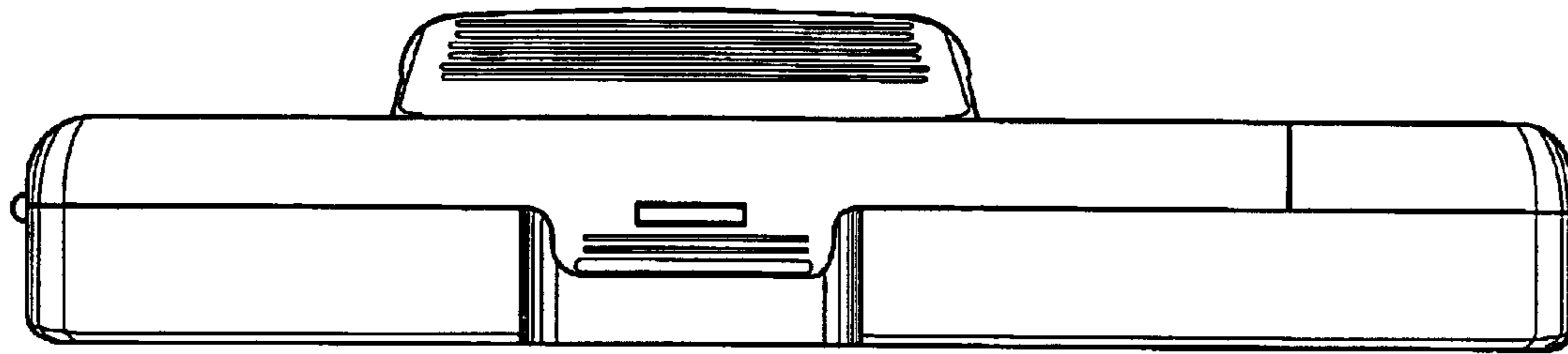


FIG. 2

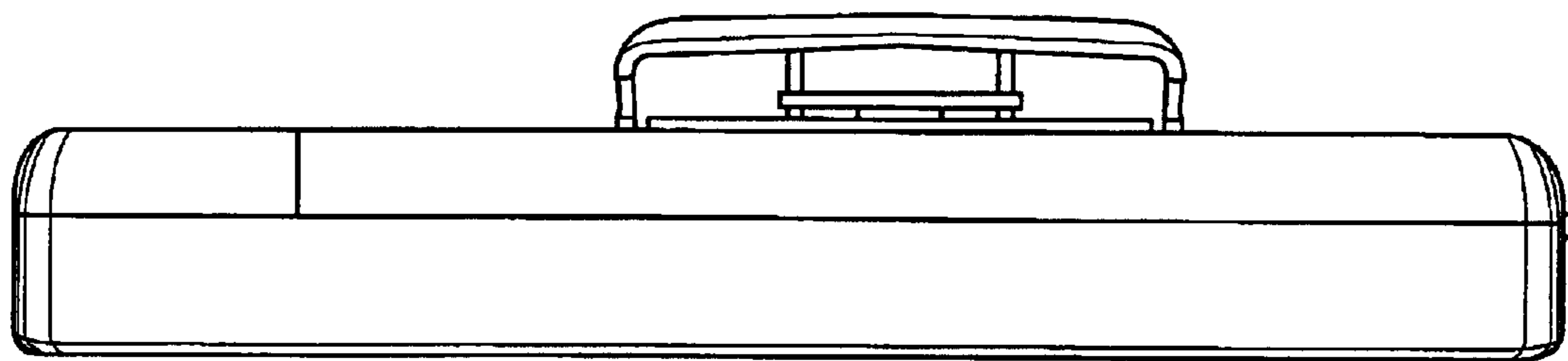


FIG. 3

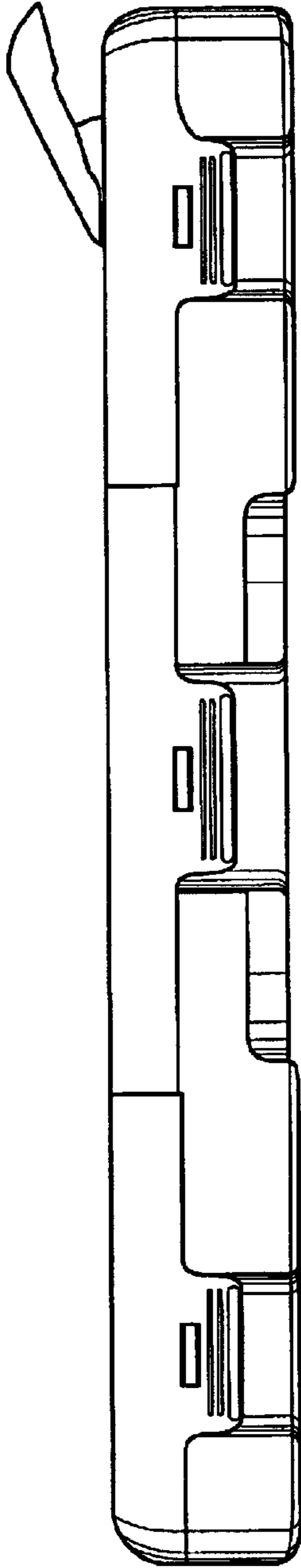


FIG. 4

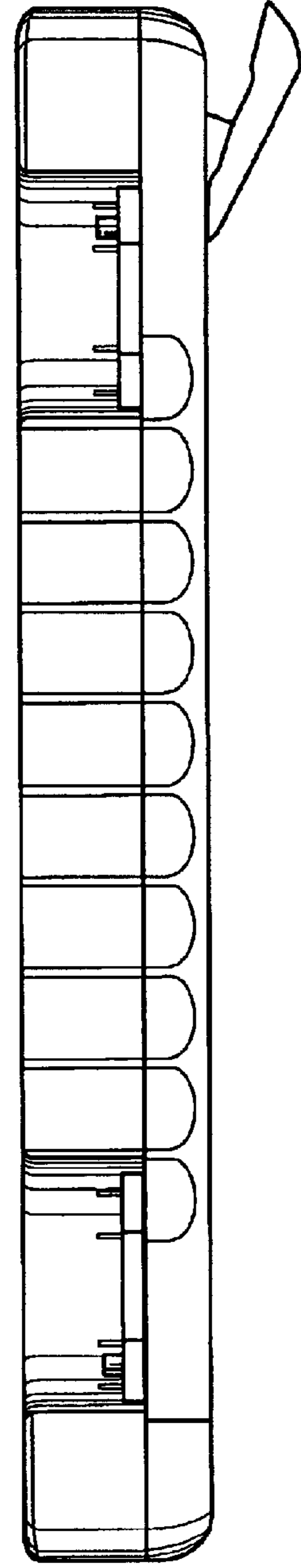


FIG. 5

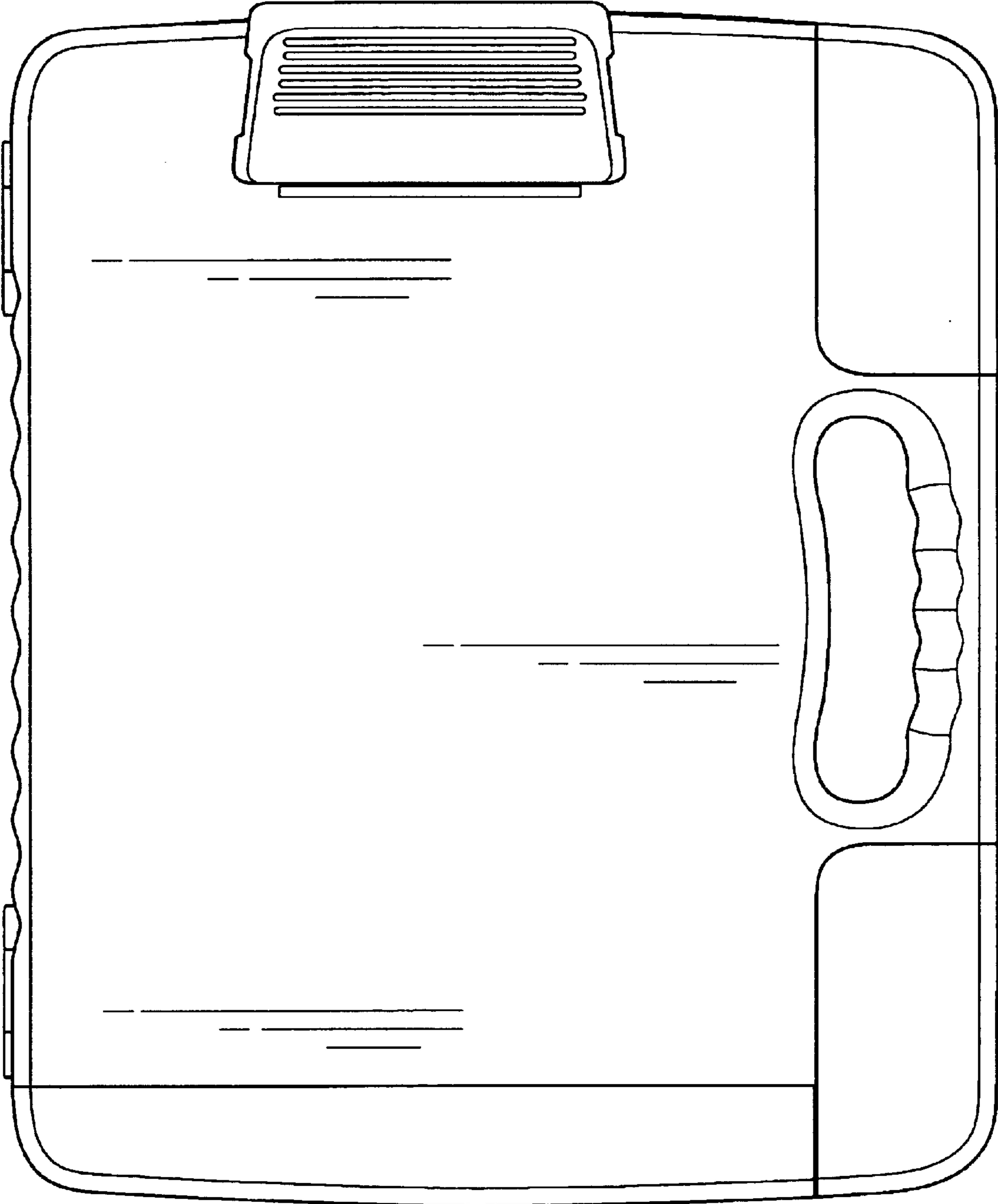


FIG. 6

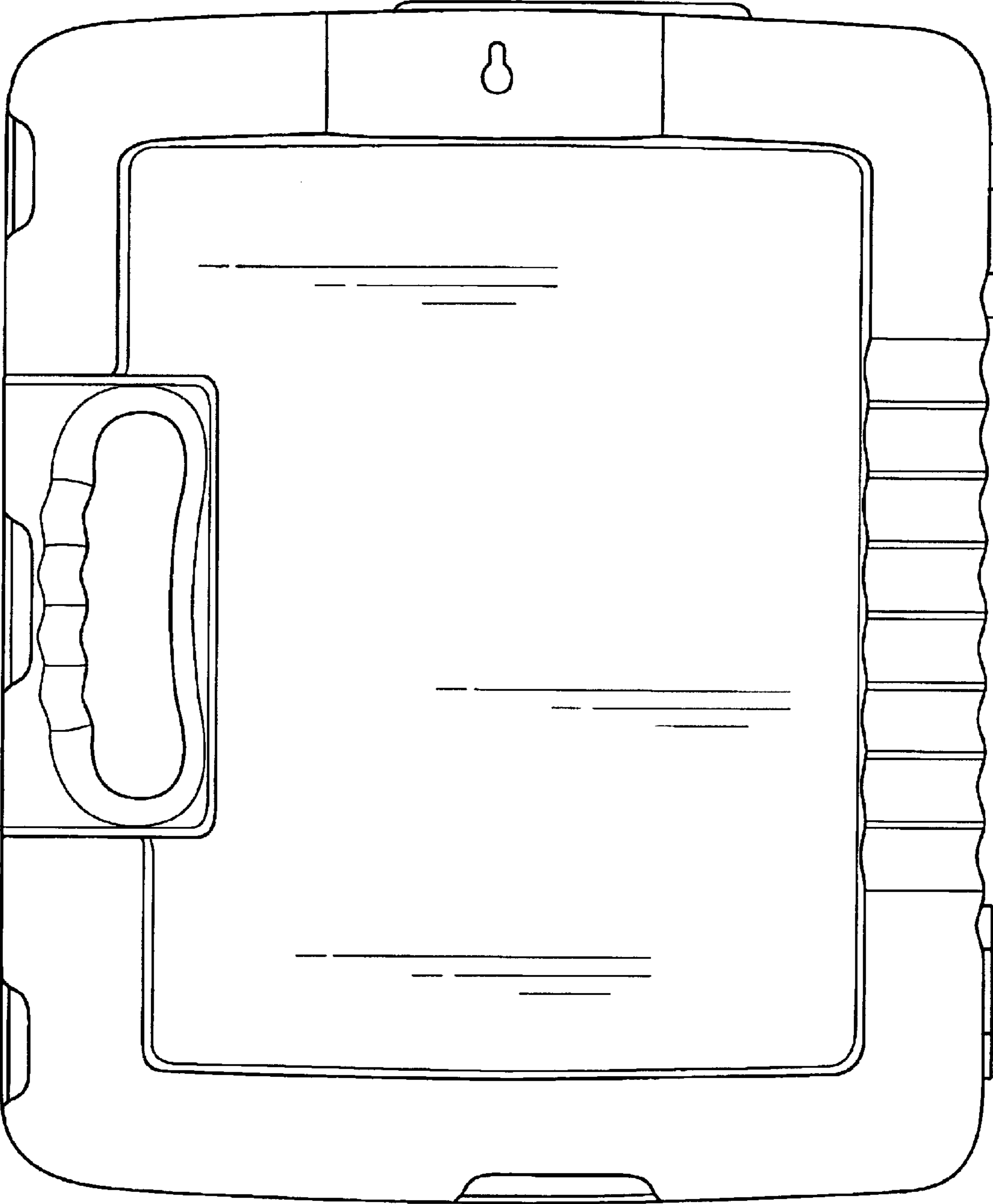


FIG. 7

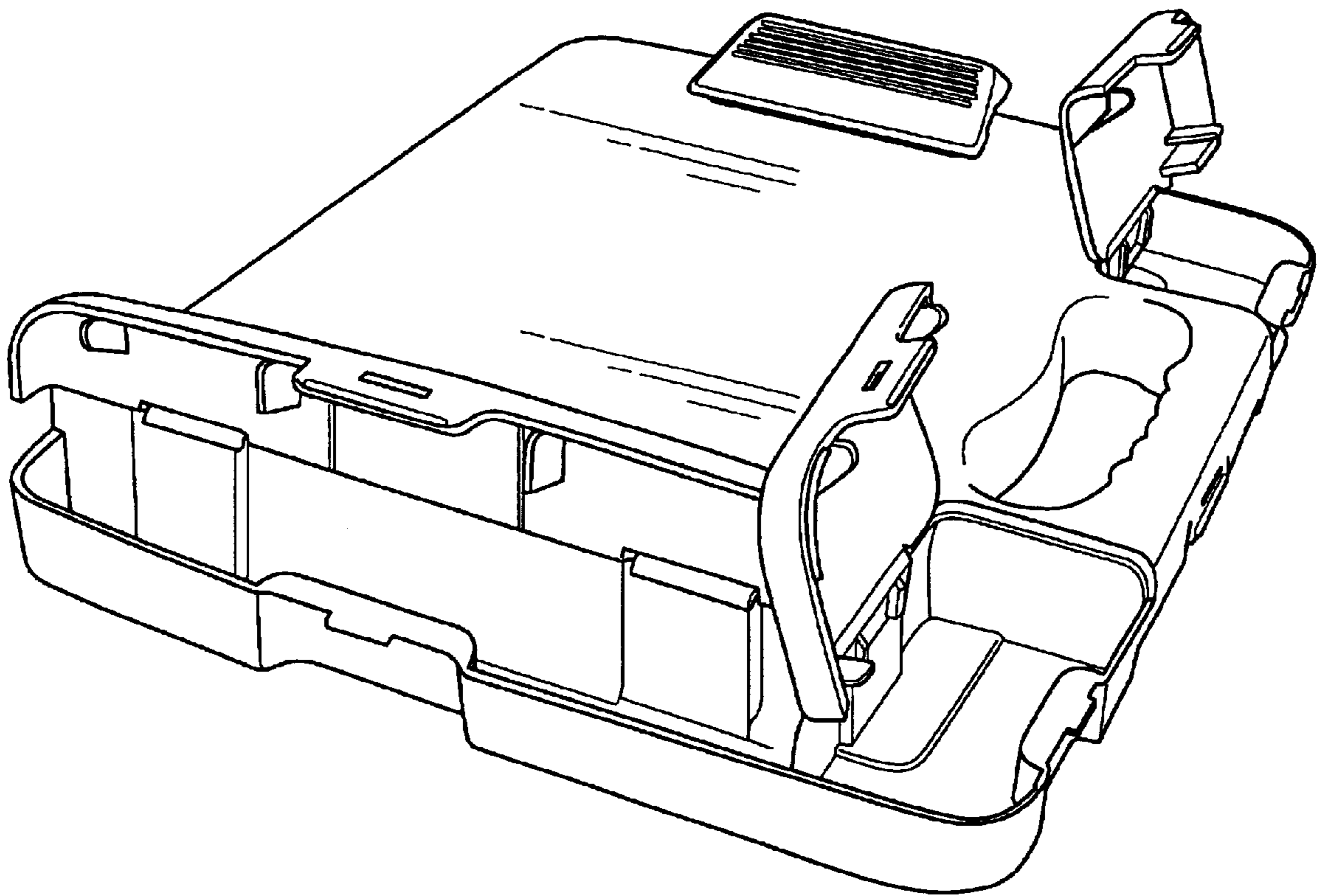


FIG. 8

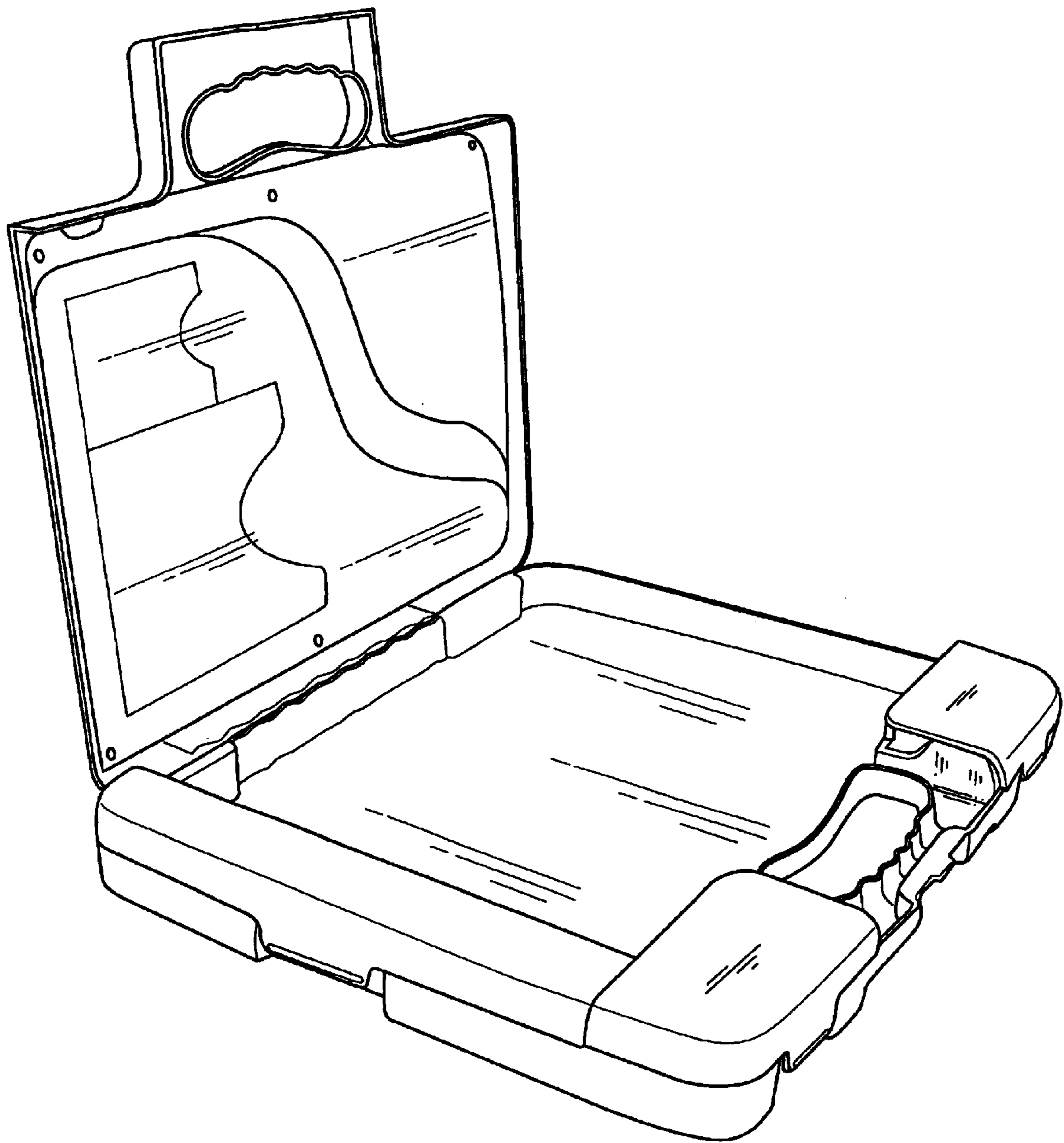


FIG. 9