

US00D495740S1

(12) **United States Design Patent**
Lee

(10) **Patent No.:** **US D495,740 S**
(45) **Date of Patent:** **** Sep. 7, 2004**

(54) **REMOVABLE BOOKMARK TO INDICATE THE LINE BEING READ**

(75) **Inventor:** **Angela J. Lee**, 1441 N. Lucy
Montgomery Way, Olathe, KS (US)
66061

(73) **Assignee:** **Angela J. Lee**, Olathe, KS (US)

(**) **Term:** **14 Years**

(21) **Appl. No.:** **29/195,522**

(22) **Filed:** **Dec. 15, 2003**

(51) **LOC (7) Cl.** **19-99**

(52) **U.S. Cl.** **D19/34**

(58) **Field of Search** D19/1, 2, 3, 6,
D19/7, 8, 26-32, 33, 34, 65, 37, 99, 100;
281/42, 45, 51; 116/234, 235, 236, 237-240

(56) **References Cited**

U.S. PATENT DOCUMENTS

139,936 A * 6/1873 Ward et al. 116/235
1,232,116 A * 7/1917 Stechan 116/236

2,543,182 A * 2/1951 Lang 116/235
2,630,777 A * 3/1953 Johnson 116/235
3,266,456 A * 8/1966 O'Reilly 116/235
4,901,665 A * 2/1990 Carlin 281/42 X
5,081,948 A * 1/1992 Walsh 116/235
D325,044 S * 3/1992 Harsha D19/37
5,359,793 A 11/1994 Copperstone
5,829,903 A 11/1998 Collins
6,056,492 A 5/2000 Hudson
6,390,015 B1 * 5/2002 Germano 116/235
D469,121 S * 1/2003 Manzo D19/34

* cited by examiner

Primary Examiner—Martie K. Holtje

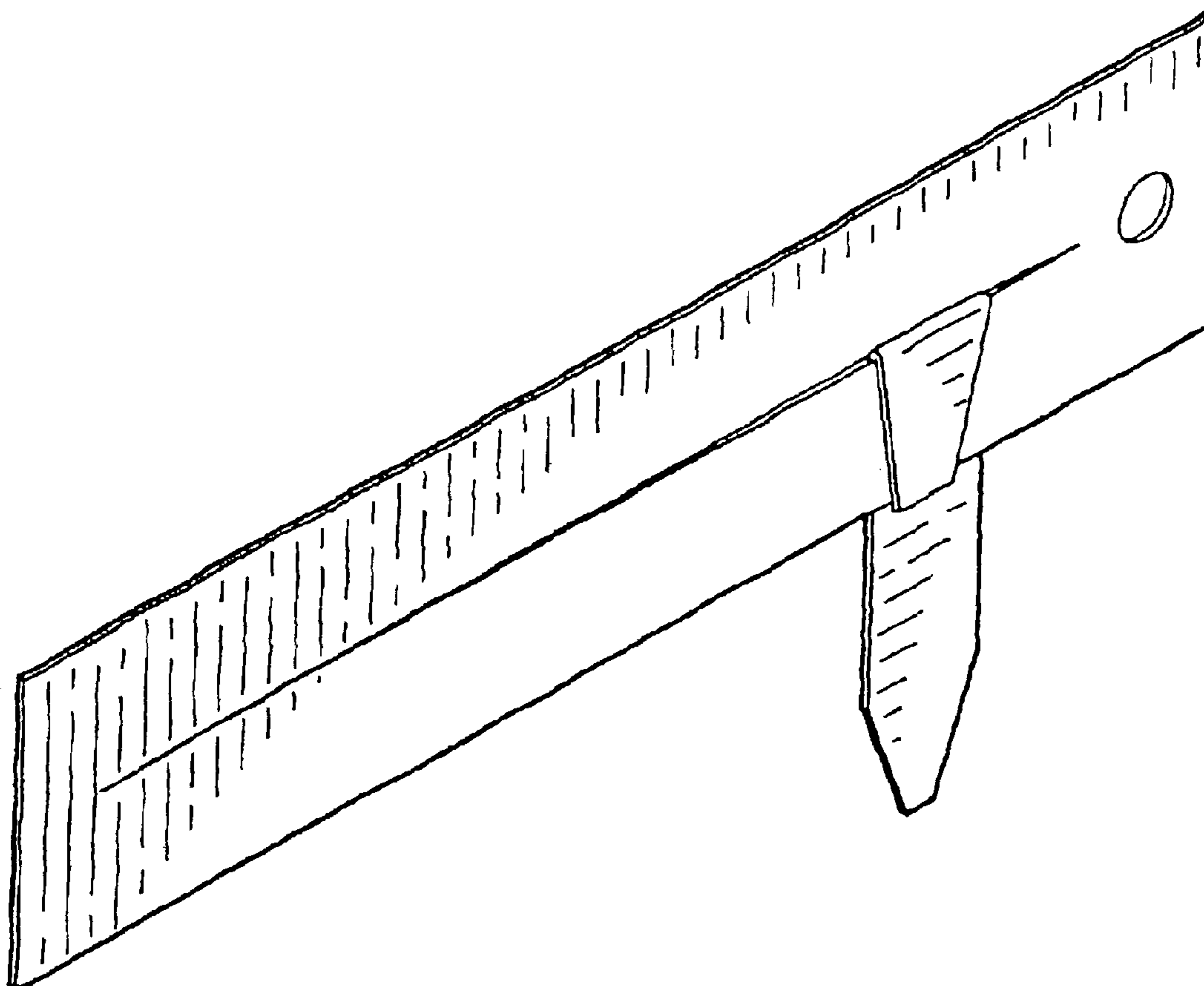
(57) **CLAIM**

The ornamental design for a removable bookmark to indicate the line being read, as shown and described.

DESCRIPTION

FIG. 1 is a perspective view of a removable bookmark to indicate the line being read showing the new design; FIG. 2 is a front elevational view thereof; and, FIG. 3 is a rear side elevational view thereof.

1 Claim, 3 Drawing Sheets



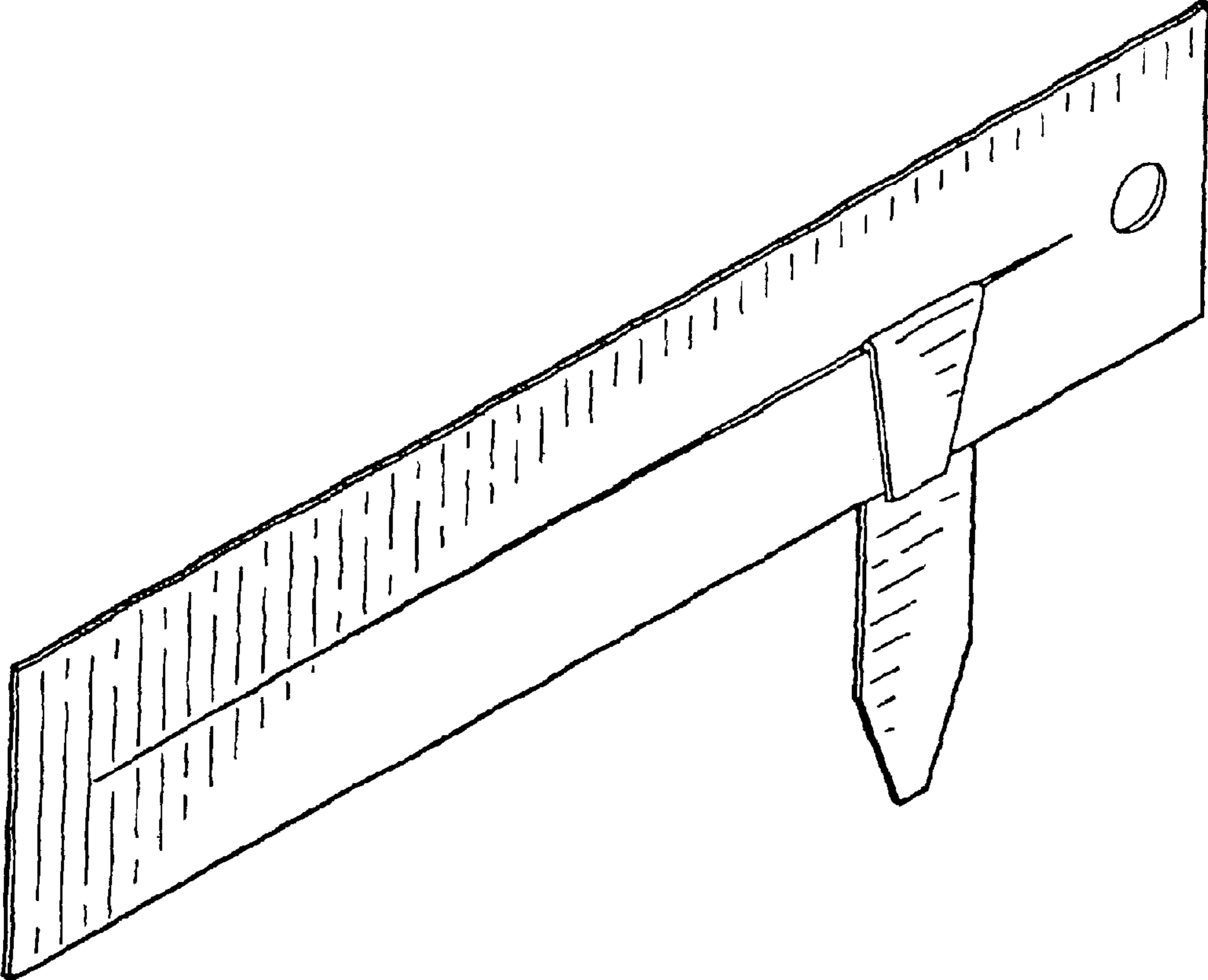


FIG. 1

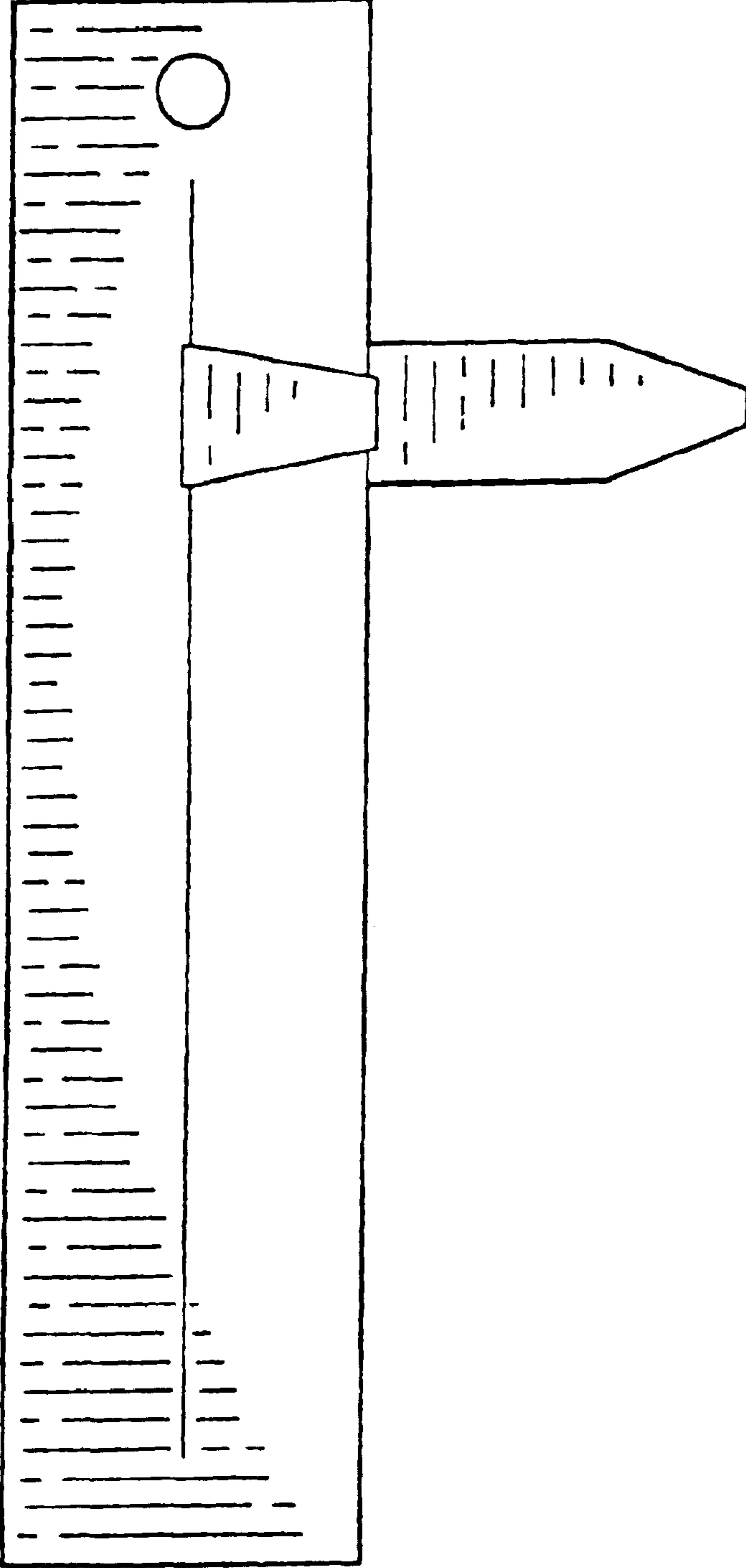


FIG. 2

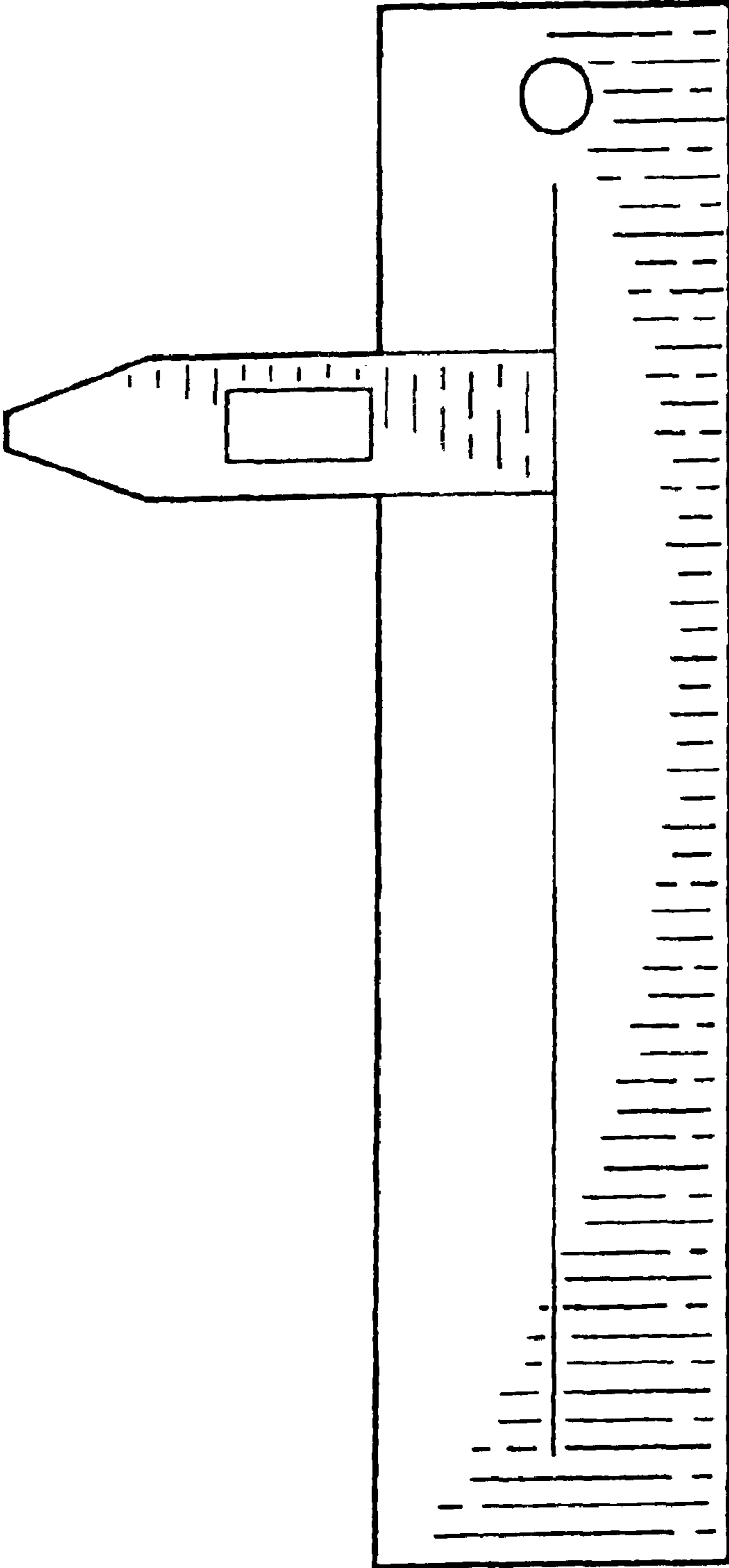


FIG. 3