

US00D495738S1

(12) **United States Design Patent**
Brandt et al.

(10) **Patent No.:** **US D495,738 S**

(45) **Date of Patent:** **** Sep. 7, 2004**

(54) **SLOTTED BINDER**

(75) Inventors: **Diane S. Brandt**, Menlo Park, CA
(US); **Susan Rothstein**, San Francisco,
CA (US)

(73) Assignee: **Captio Corporation**, San Francisco,
CA (US)

(**) Term: **14 Years**

(21) Appl. No.: **29/194,112**

(22) Filed: **Nov. 18, 2003**

(51) **LOC (7) Cl.** **19-04**

(52) **U.S. Cl.** **D19/26**

(58) **Field of Search** D19/26, 27, 28,
D19/29, 30, 31, 32, 33; 281/15.1, 19.1,
21.1, 29, 30, 34, 38, 40, 41, 51; 402/1,
3, 4, 22, 23, 24, 55, 70, 71, 72, 73, 74,
75, 76, 77, 78, 79, 80 R, 500, 501, 503;
D3/303

(56) **References Cited**

U.S. PATENT DOCUMENTS

449,210 A	*	3/1891	Davis	281/34
989,968 A	*	4/1911	Heil	402/4
1,271,484 A	*	7/1918	Laurent	402/22
3,769,741 A	*	11/1973	Hessler et al.	43/57.1
3,954,287 A	*	5/1976	Osteen	281/15.1
4,240,761 A	*	12/1980	Jacobson	402/76
4,296,945 A	*	10/1981	Pavlik	281/51

4,819,962 A	*	4/1989	Takai	281/15.1
5,499,846 A	*	3/1996	Phillip	281/29
D377,946 S	*	2/1997	French et al.	D19/3
5,765,875 A	*	6/1998	Rowley	283/74
D428,055 S	*	7/2000	Vincent	D19/26
D476,032 S	*	6/2003	Marchand	D19/26
2002/0025216 A1	*	2/2002	Masson	402/72

* cited by examiner

Primary Examiner—James Gandy

Assistant Examiner—Elizabeth Albert

(74) *Attorney, Agent, or Firm*—Glenn Patent Group;
Michael A. Glenn

(57) **CLAIM**

The ornamental design for a slotted binder, as shown and described.

DESCRIPTION

FIG. 1 is a perspective view of a slotted binder according to the invention;

FIG. 2 is a front view of a slotted binder according to the invention;

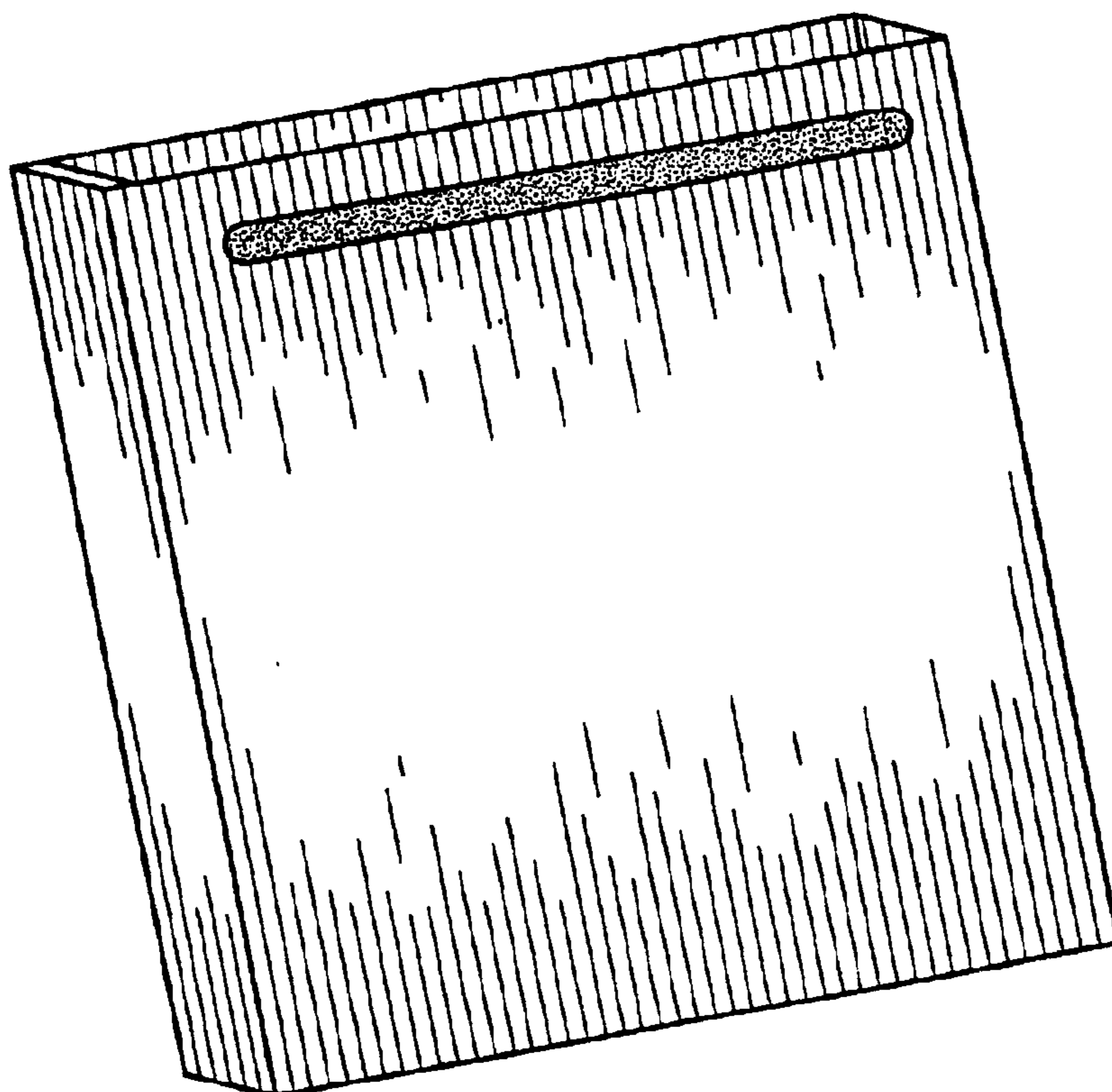
FIG. 3 is a top view of a slotted binder, the bottom view being a mirror image thereof, according to the invention;

FIG. 4 is a back view of a slotted binder according to the invention;

FIG. 5 is a left side view of a slotted binder according to the invention; and,

FIG. 6 is a right side view of a slotted binder according to the invention.

1 Claim, 2 Drawing Sheets



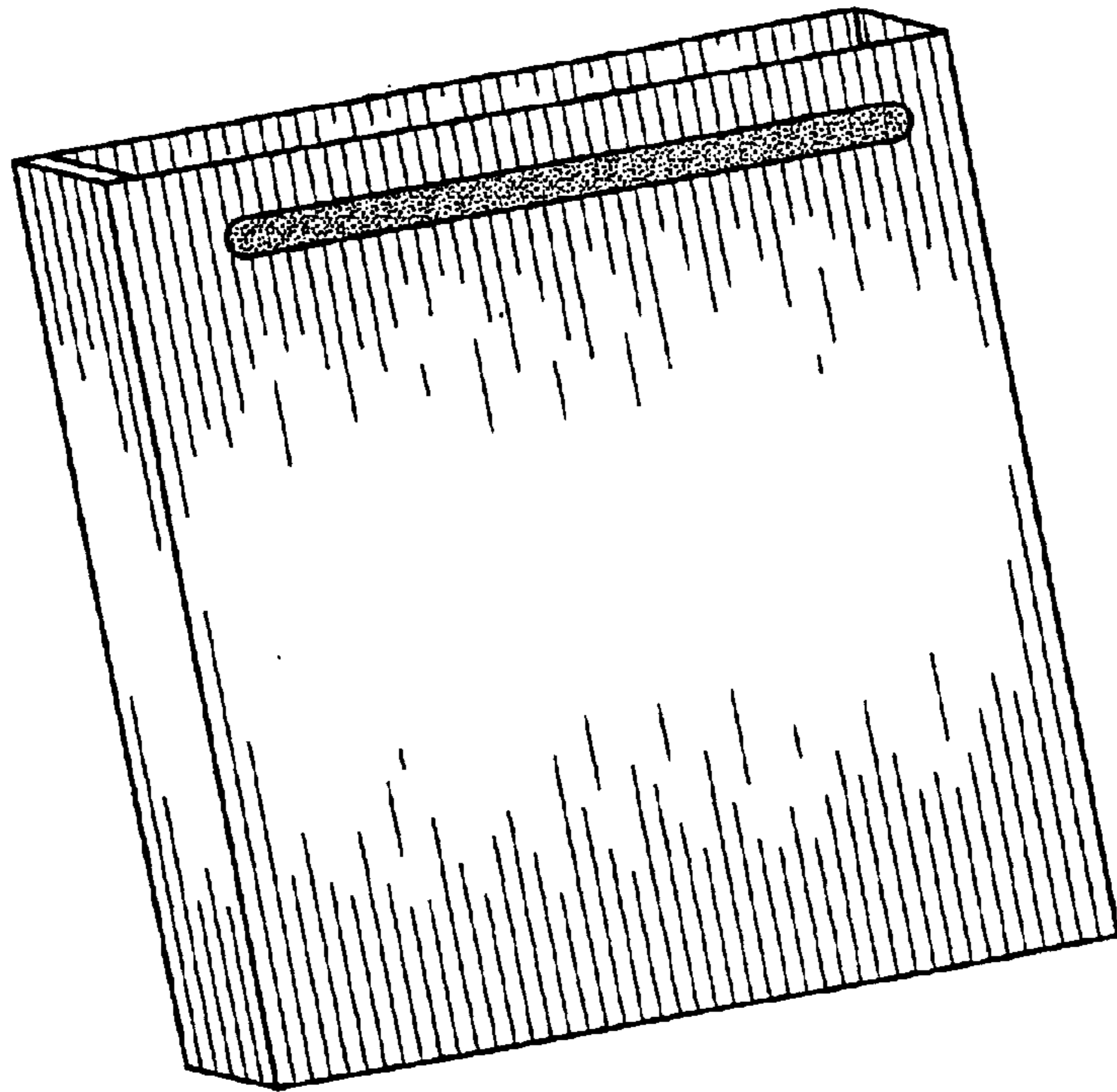


FIG. 1

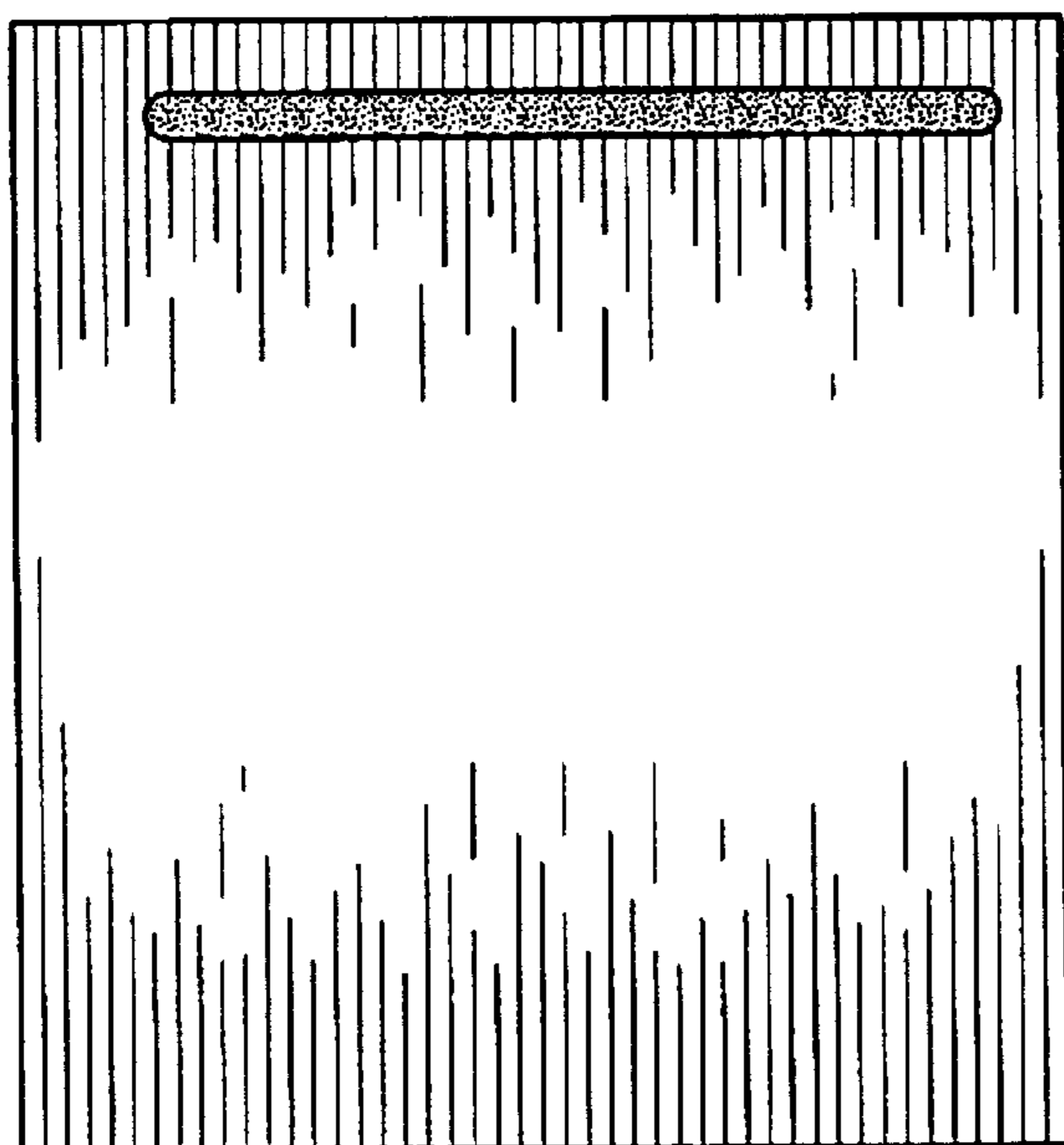


FIG. 2



FIG. 3

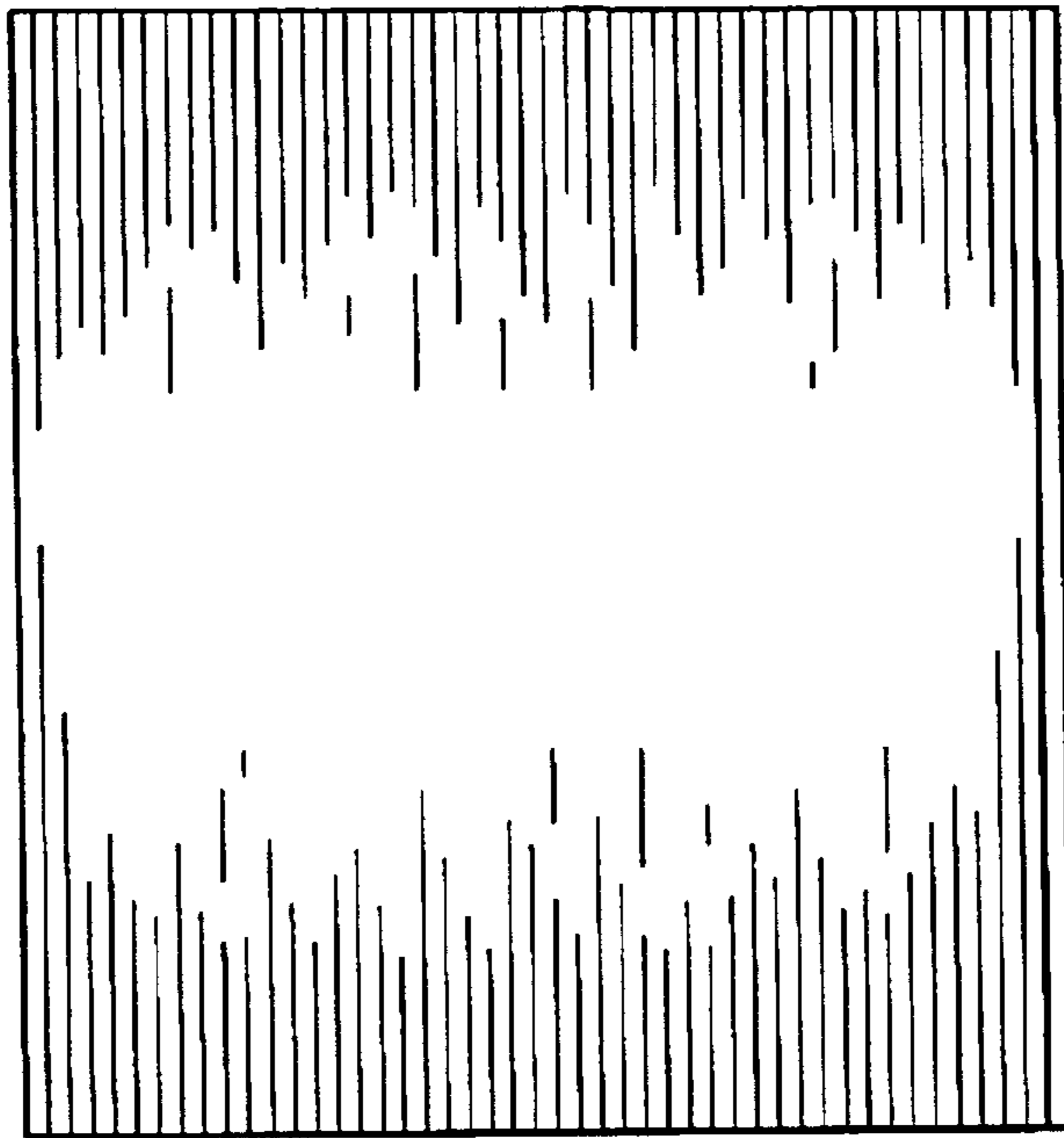


FIG. 4

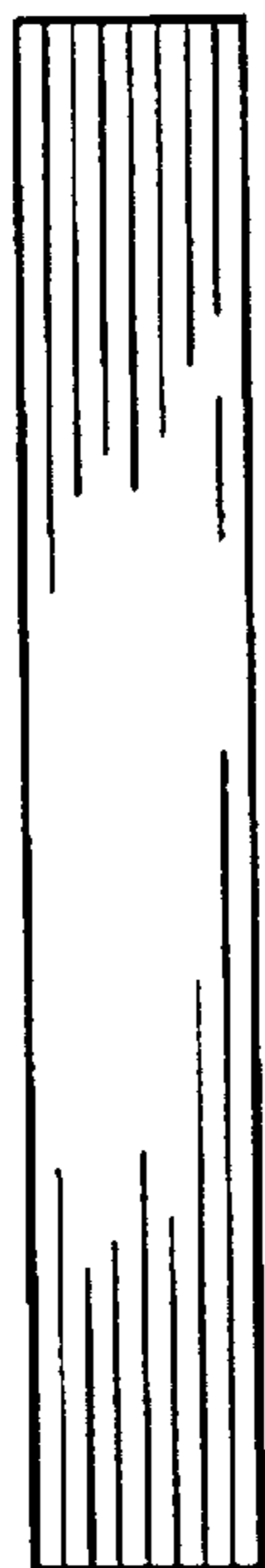


FIG. 5

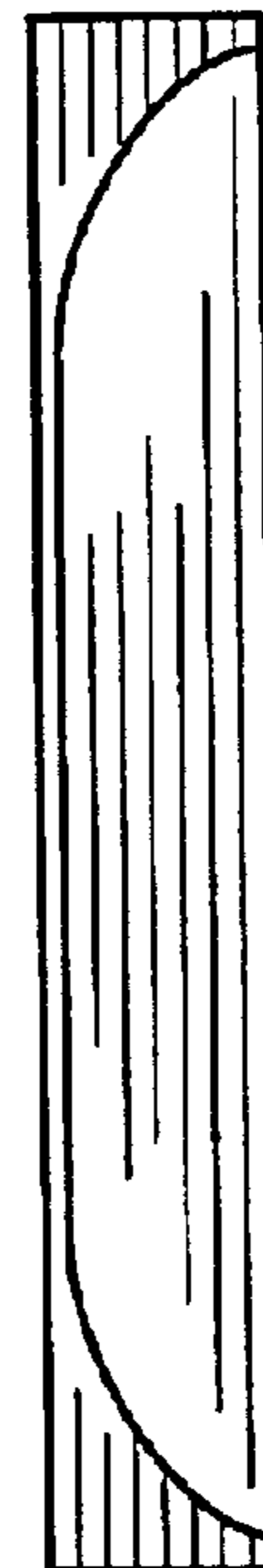


FIG. 6