

US00D495728S1

(12) **United States Design Patent** (10) **Patent No.:** **US D495,728 S**
Orner et al. (45) **Date of Patent:** **** Sep. 7, 2004**

(54) **MOBILE REAR PROJECTION SYSTEM WITH FABRIC ENCLOSURE**

D442,155 S * 5/2001 Pham et al. D14/130

* cited by examiner

(75) Inventors: **Edward E. Orner**, Atlanta, GA (US);
Michael H. Dunn, Dunwoody, GA (US)

Primary Examiner—Adir Aronovich
(74) *Attorney, Agent, or Firm*—Jon M. Dickinson, P.C.;
Robert D. Varitz, P.C.

(73) Assignee: **Greenstreet, Inc.**, Norcross, GA (US)

(57) **CLAIM**

(**) Term: **14 Years**

The ornamental design for a mobile rear projection system with fabric enclosure, as shown and described.

(21) Appl. No.: **29/169,228**

DESCRIPTION

(22) Filed: **Oct. 15, 2002**

(51) **LOC (7) Cl.** **16-02**

FIG. 1 is a front perspective view of an ornamental design for a mobile rear projection system design system showing our new design.

(52) **U.S. Cl.** **D16/225; D14/128**

FIG. 2 is a top plan view thereof.

(58) **Field of Search** D14/128, 130,

FIG. 3 is a bottom plan view thereof.

D14/133; D16/221, 223, 225; 348/789, 836, 838; 353/115, 119, 122

FIG. 4 is a left side elevation thereof. (only one side is illustrated inasmuch as the opposite side presents a mirror-image view)

(56) **References Cited**

FIG. 5 is a front elevation thereof; and,

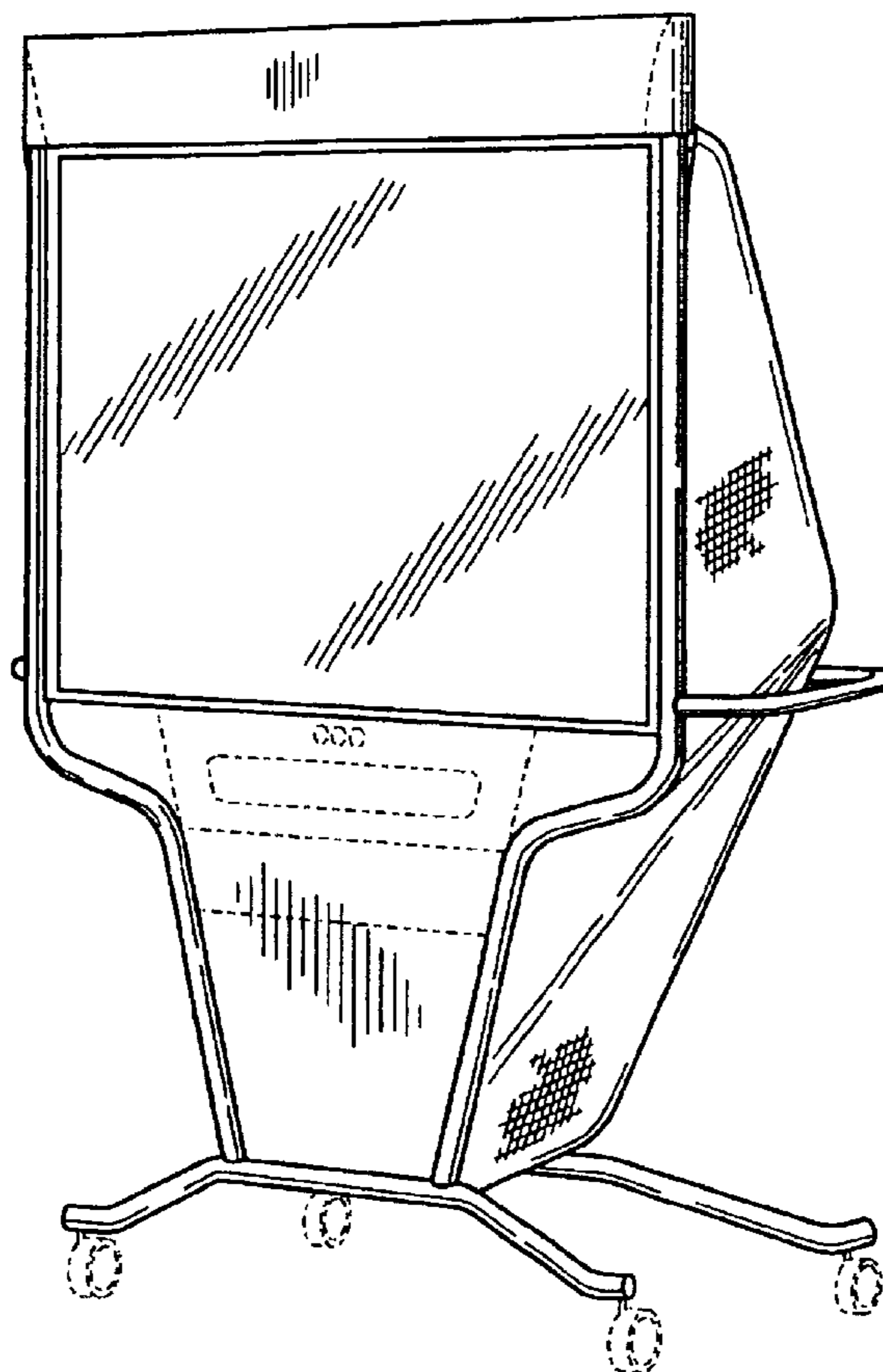
U.S. PATENT DOCUMENTS

FIG. 6 is a rear elevation thereof.

D252,932 S * 9/1979 Felder D16/225
4,177,484 A * 12/1979 Boje 348/789
D345,968 S * 4/1994 Bruce et al. D14/128
5,640,215 A * 6/1997 Catta 348/838
D413,116 S * 8/1999 Ishikawa D14/128

The portions of the article in broken lines are shown to illustrate environment only and form no part of the claimed design.

1 Claim, 2 Drawing Sheets



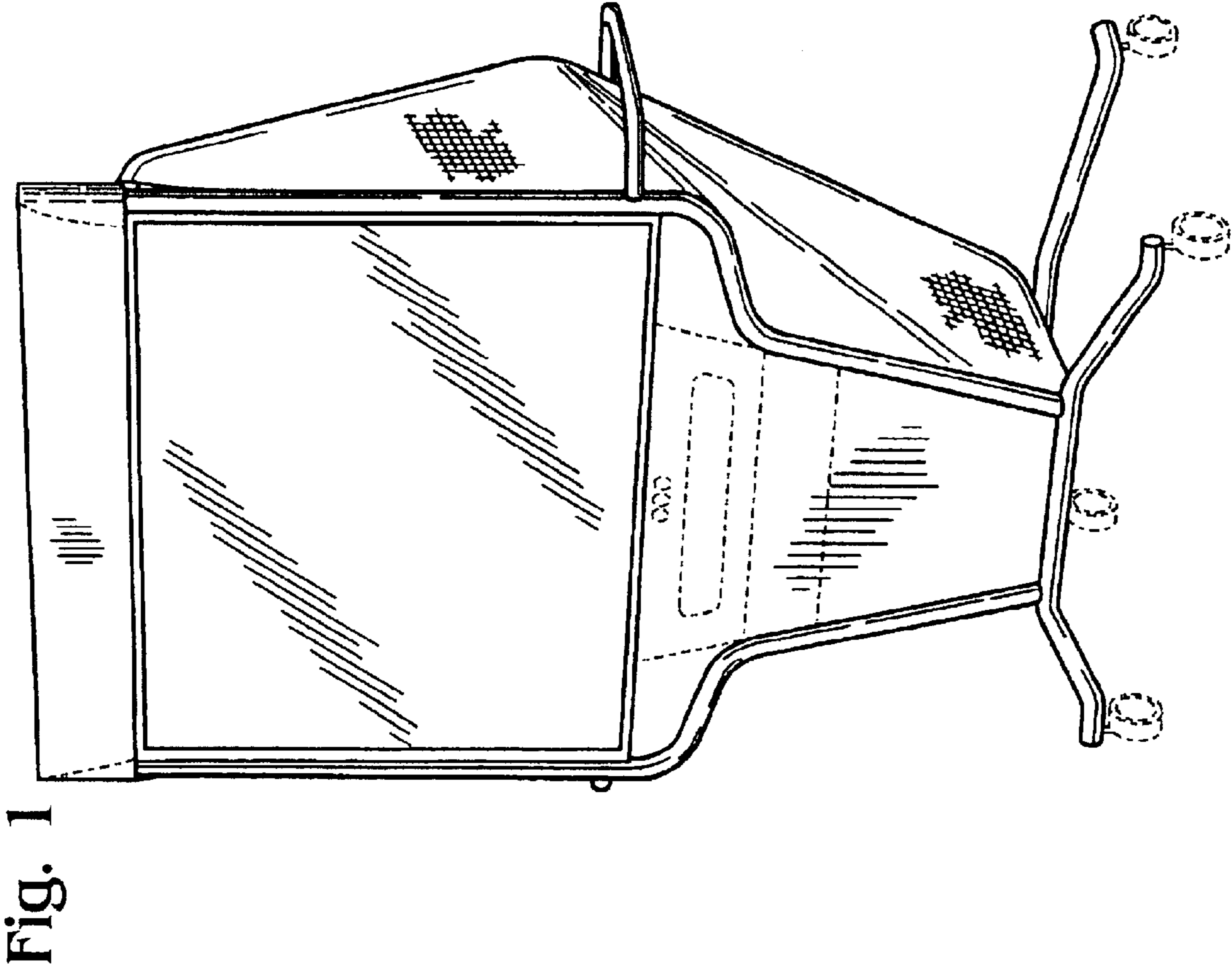


Fig. 1

Fig. 2

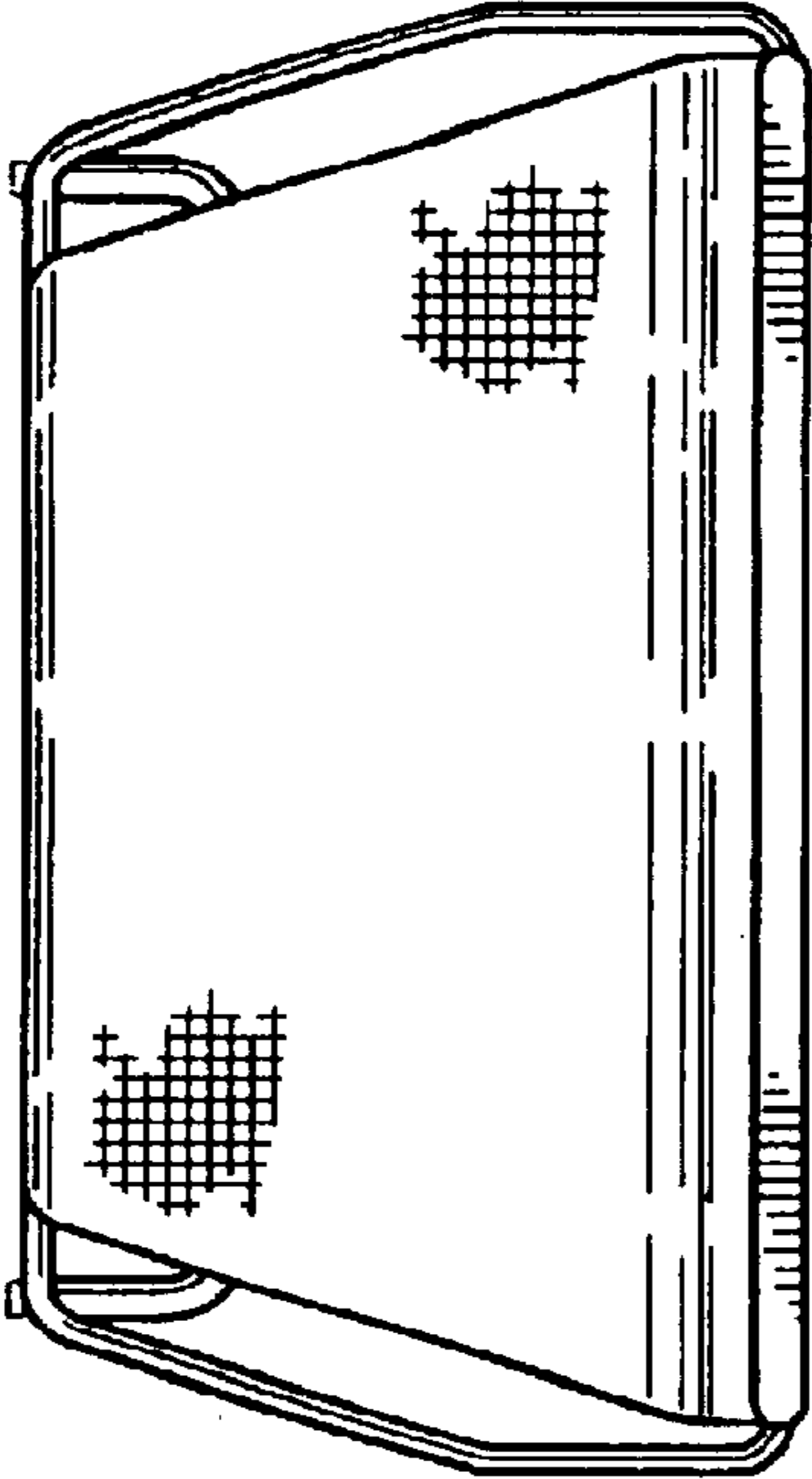


Fig. 3

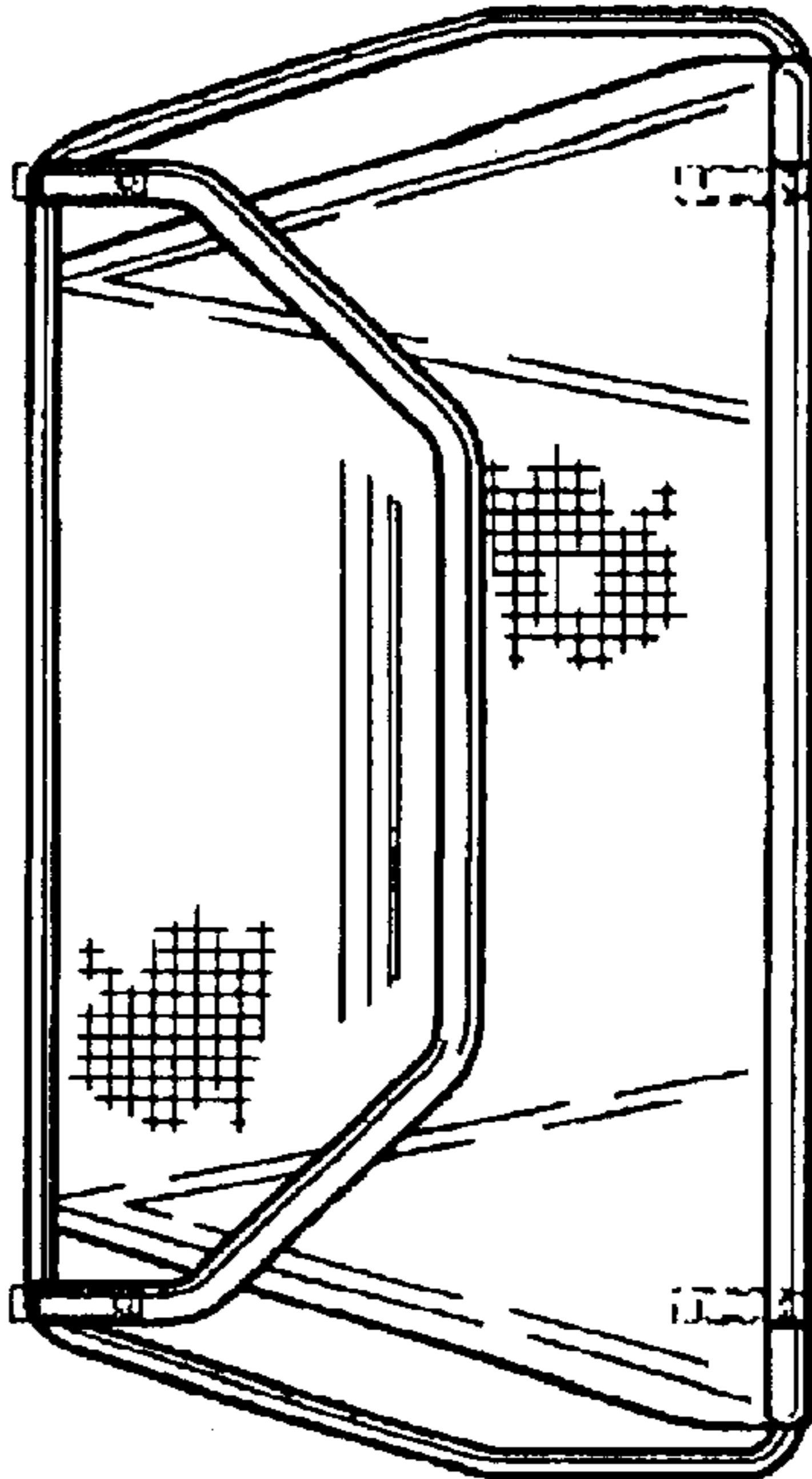


Fig. 6

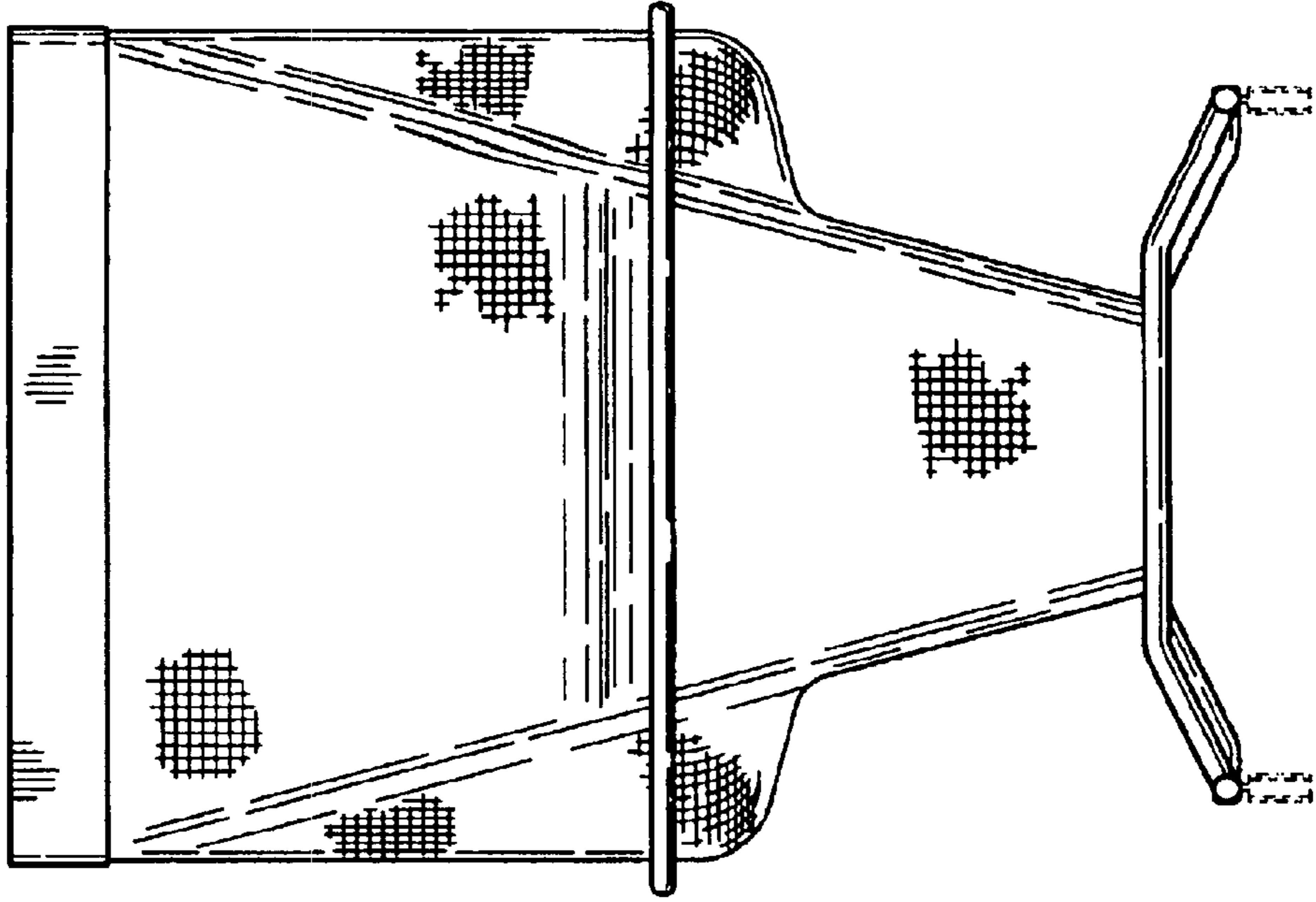


Fig. 5

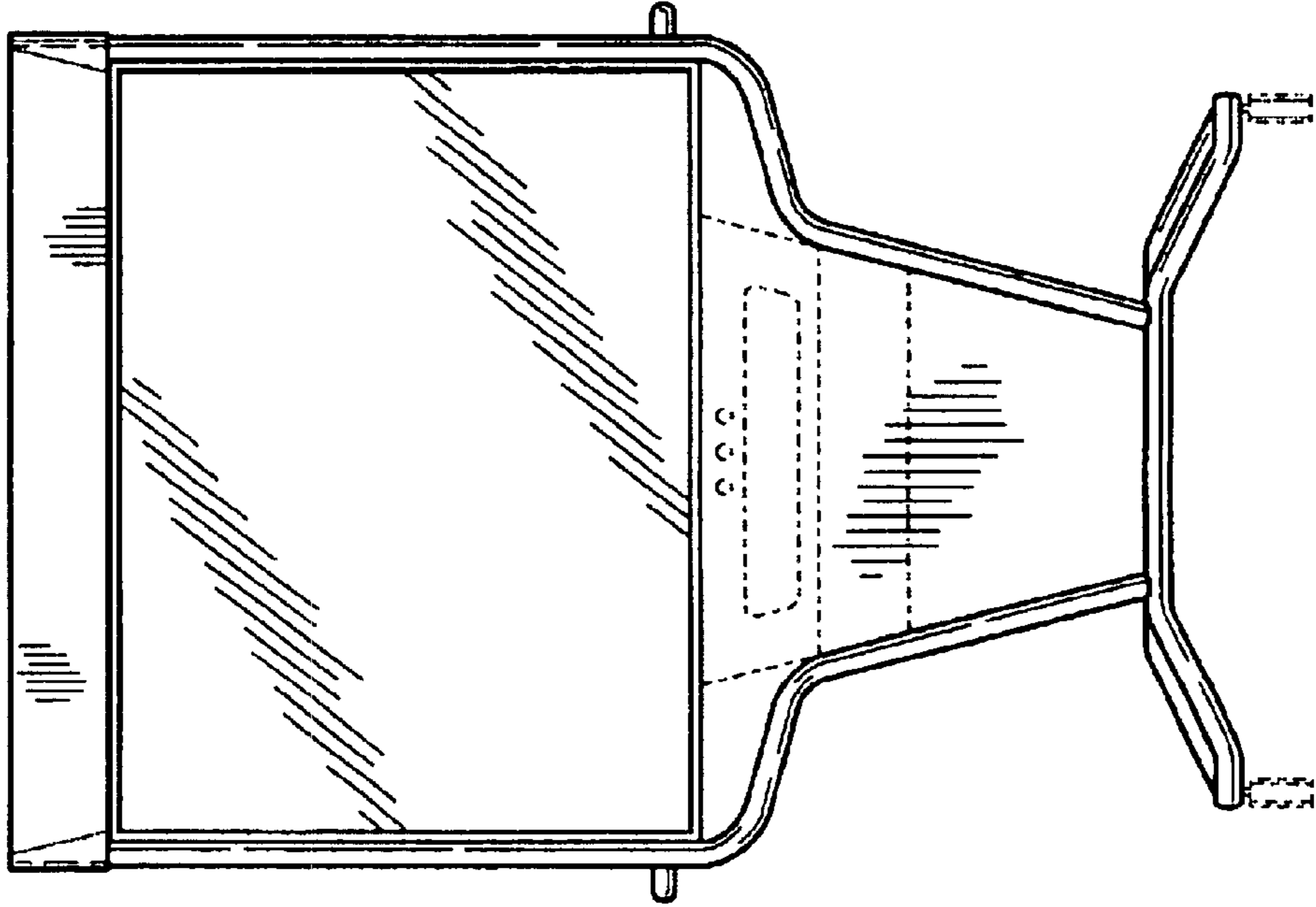
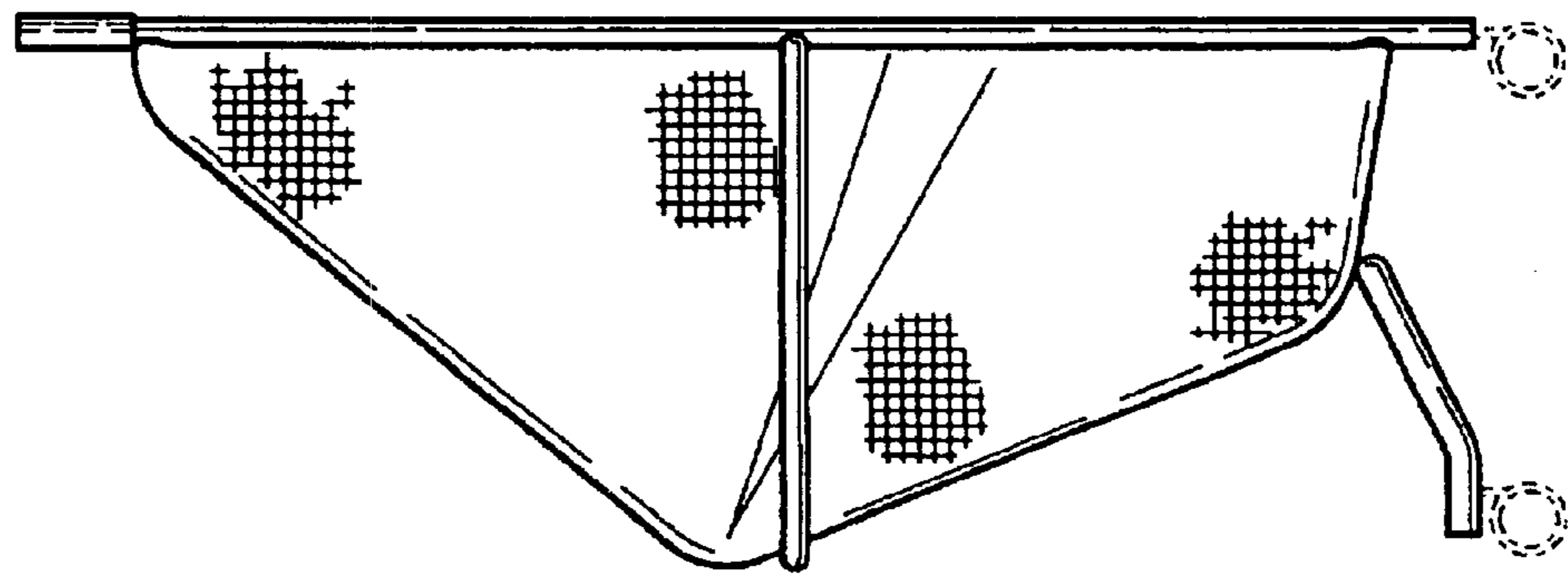


Fig. 4



UNITED STATES PATENT AND TRADEMARK OFFICE
CERTIFICATE OF CORRECTION

PATENT NO. : Des. 495,728 S
DATED : September 7, 2004
INVENTOR(S) : Edward E. Orner and Michael H. Dunn

Page 1 of 1


It is certified that error appears in the above-identified patent and that said Letters Patent is hereby corrected as shown below:

Title page,

Item [57], DESCRIPTION, should read -- FIG. 1 is a front perspective view of an ornamental design for a mobile rear projection system with fabric enclosure showing our new design. --

Signed and Sealed this

Fifteenth Day of February, 2005

A handwritten signature in black ink on a light gray dotted background. The signature reads "Jon W. Dudas" in a cursive style.

JON W. DUDAS

Director of the United States Patent and Trademark Office