

US00D495723S1

(12) **United States Design Patent**
Kawamura et al.

(10) **Patent No.:** **US D495,723 S**

(45) **Date of Patent:** **** Sep. 7, 2004**

(54) **MACHINING CENTER**

(75) **Inventors:** **Norihisa Kawamura**, Nishikasugai-gun (JP); **Tomoyuki Okamoto**, Kasugai (JP)

(73) **Assignee:** **Brother Industries, Limited**, Nagoya (JP)

(**) **Term:** **14 Years**

(21) **Appl. No.:** **29/196,746**

(22) **Filed:** **Jan. 6, 2004**

(30) **Foreign Application Priority Data**

Jul. 7, 2003 (JP) 2003-019525

(51) **LOC (7) Cl.** **15-09**

(52) **U.S. Cl.** **D15/127**

(58) **Field of Search** D15/122, 124, D15/127, 199; 483/17-57; 29/33 A-33 T, 26 R, 26 A, 30, 34 R, 563-56, 564.1-564, 39, 50

(56) **References Cited**

U.S. PATENT DOCUMENTS

4,863,320 A * 9/1989 Rutschle et al. 409/134

5,531,004 A * 7/1996 Ahn 29/33 P

D420,686 S * 2/2000 Kunema D15/127
D438,548 S * 3/2001 Inada et al. D15/127
6,470,547 B2 * 10/2002 Burge et al. 29/33 P
D472,250 S * 3/2003 Mariotta et al. D15/127

* cited by examiner

Primary Examiner—Antoine D. Davis

(74) *Attorney, Agent, or Firm*—Oliff & Berridge, PLC

(57) **CLAIM**

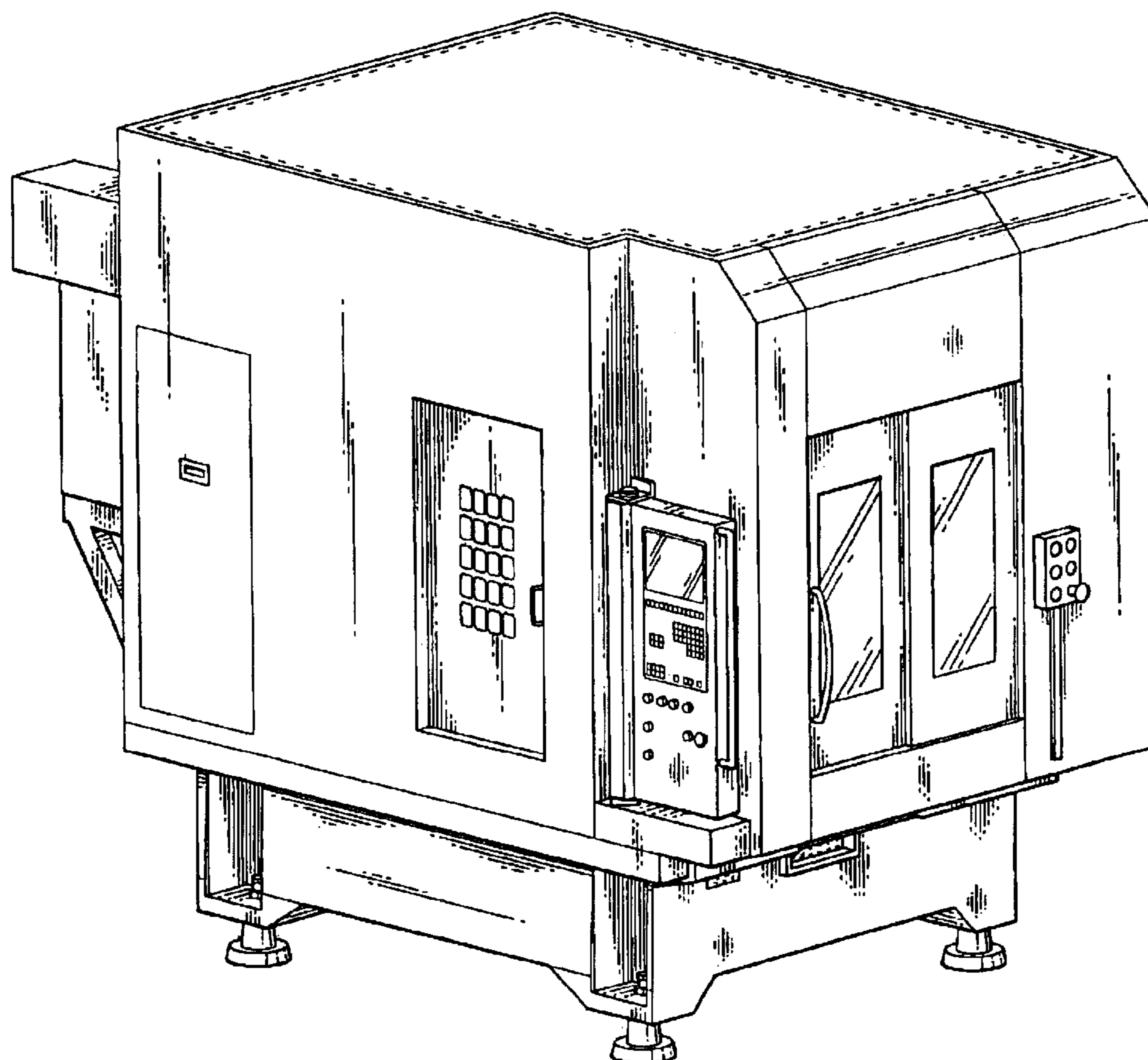
The ornamental design for a machining center, as shown and described.

DESCRIPTION

FIG. 1 is a front view of a machining center;
FIG. 2 is a top view thereof;
FIG. 3 is a right side view thereof;
FIG. 4 is a left side view thereof;
FIG. 5 is a rear view thereof;
FIG. 6 is a bottom view thereof;
FIG. 7 is a front perspective view thereof;
FIG. 8 is a rear perspective view thereof; and,
FIG. 9 is a front perspective view thereof with a control panel rotated.

The broken lines are for illustrative purposes only and do not form part of the claimed design.

1 Claim, 8 Drawing Sheets



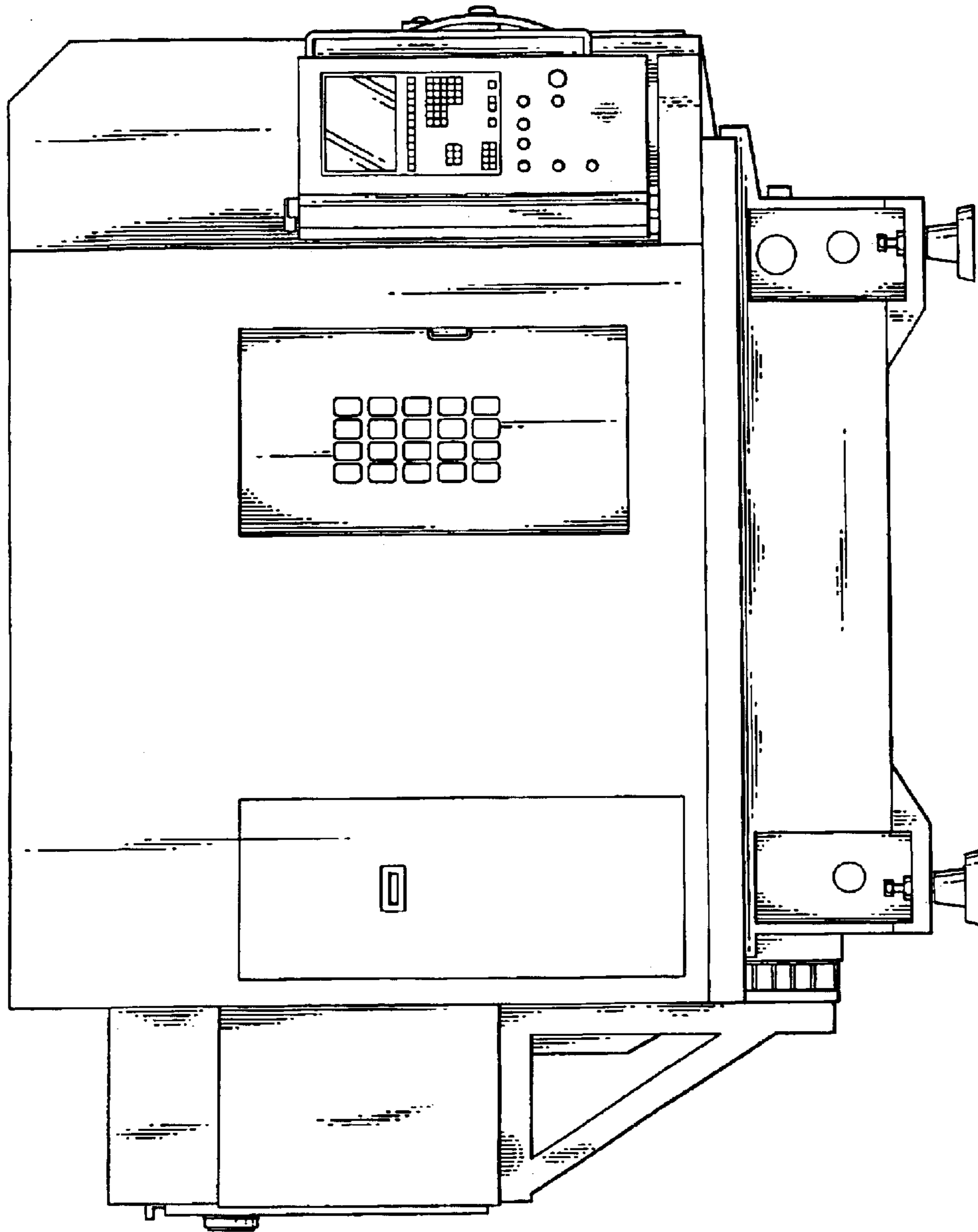


Fig. 1

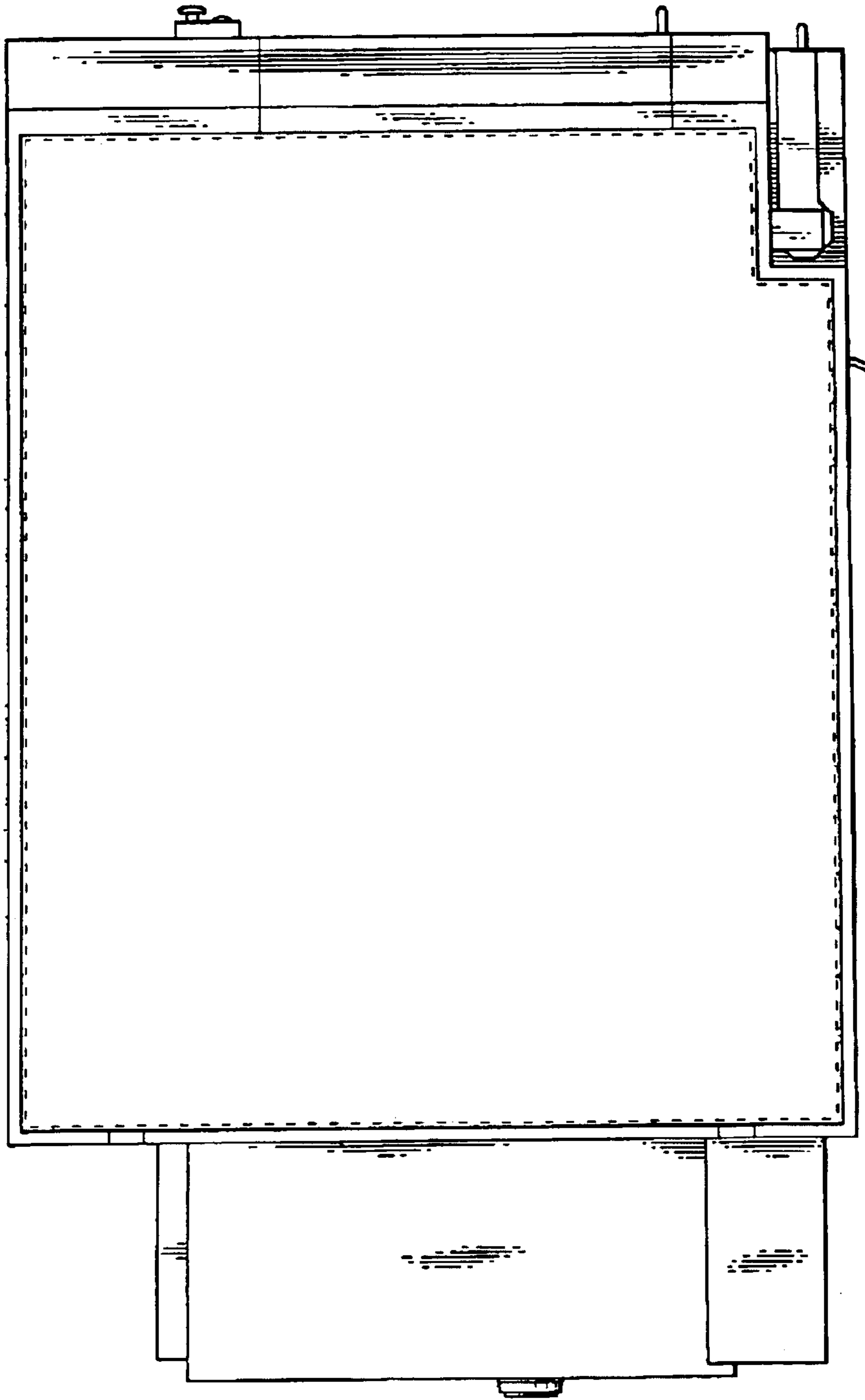


Fig. 2

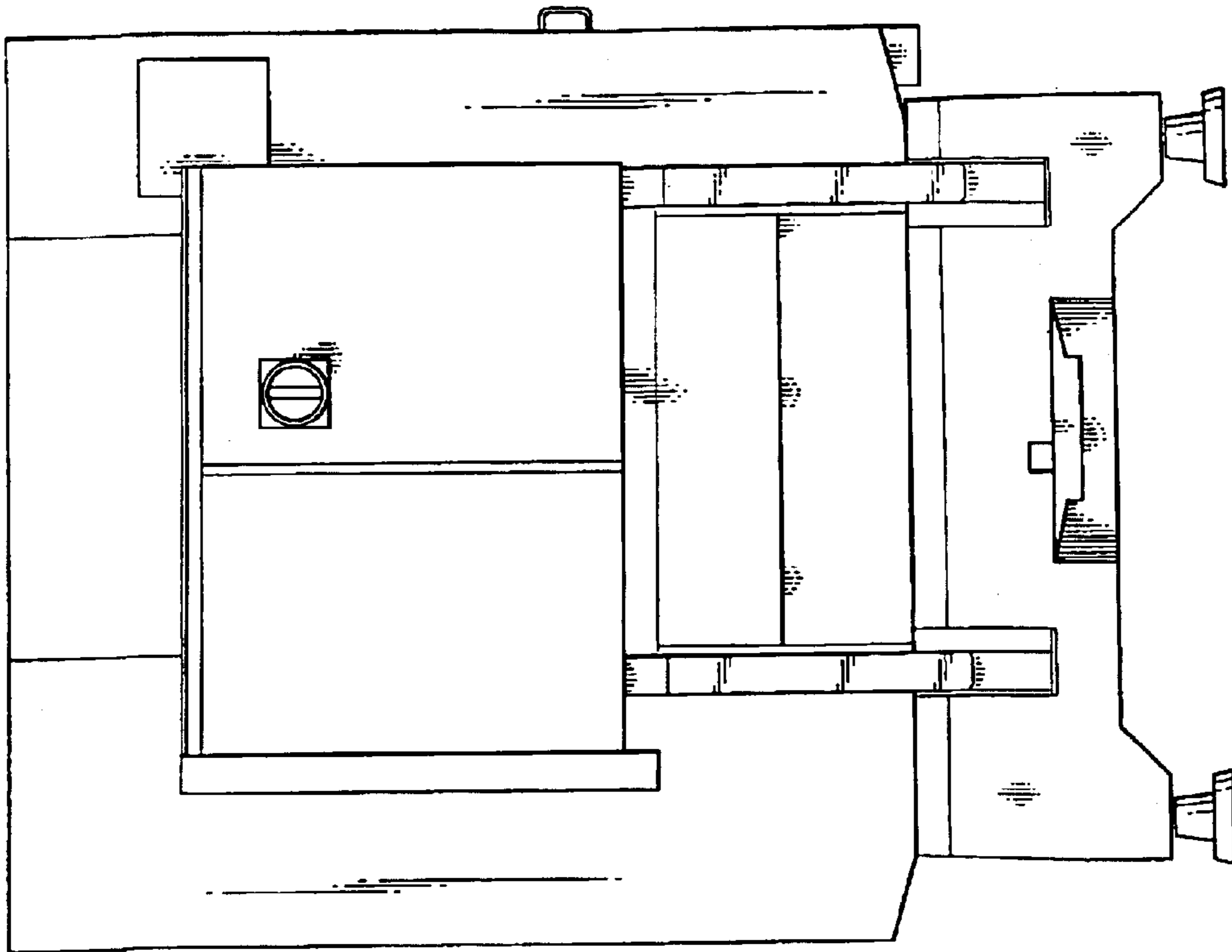


Fig. 4

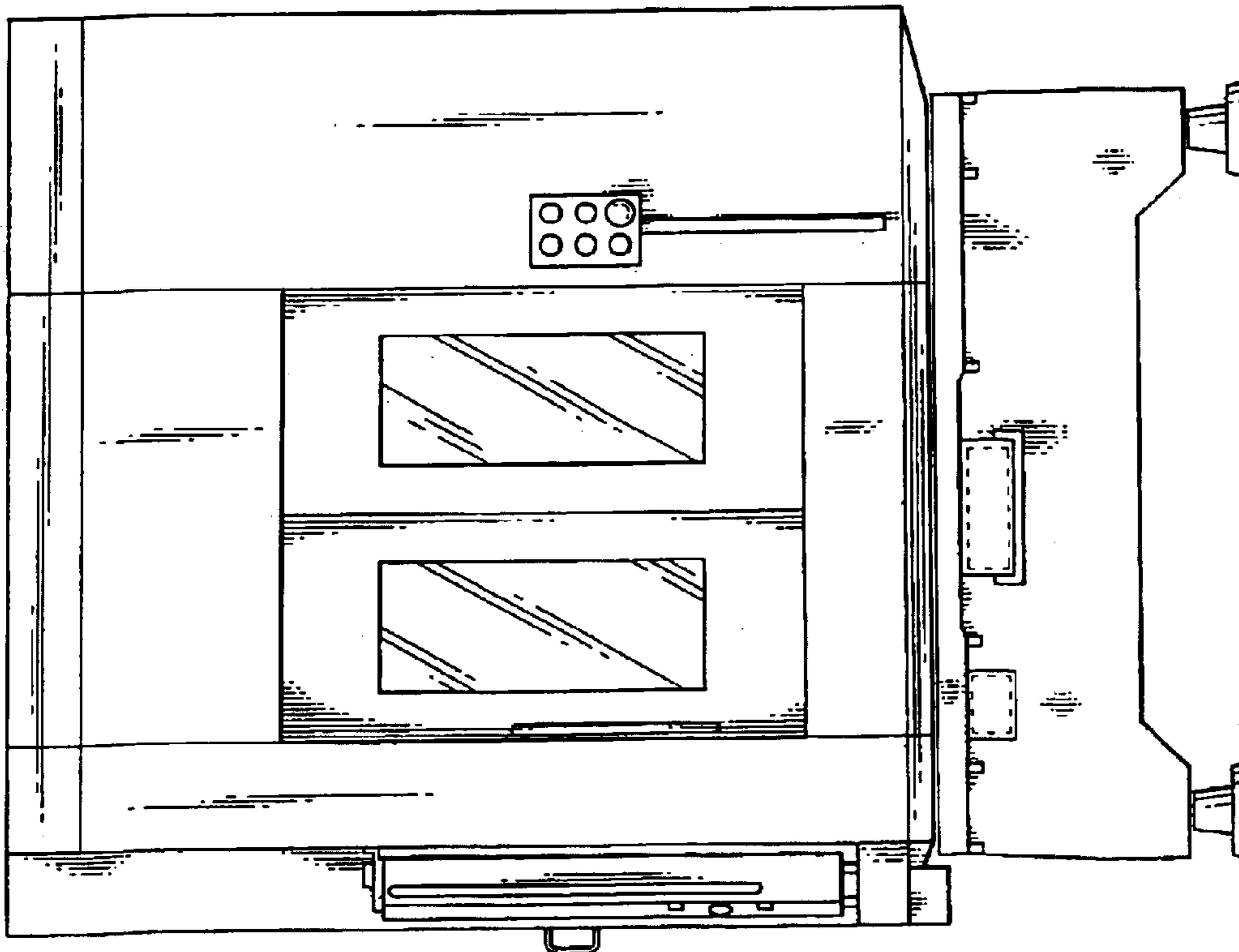


Fig. 3

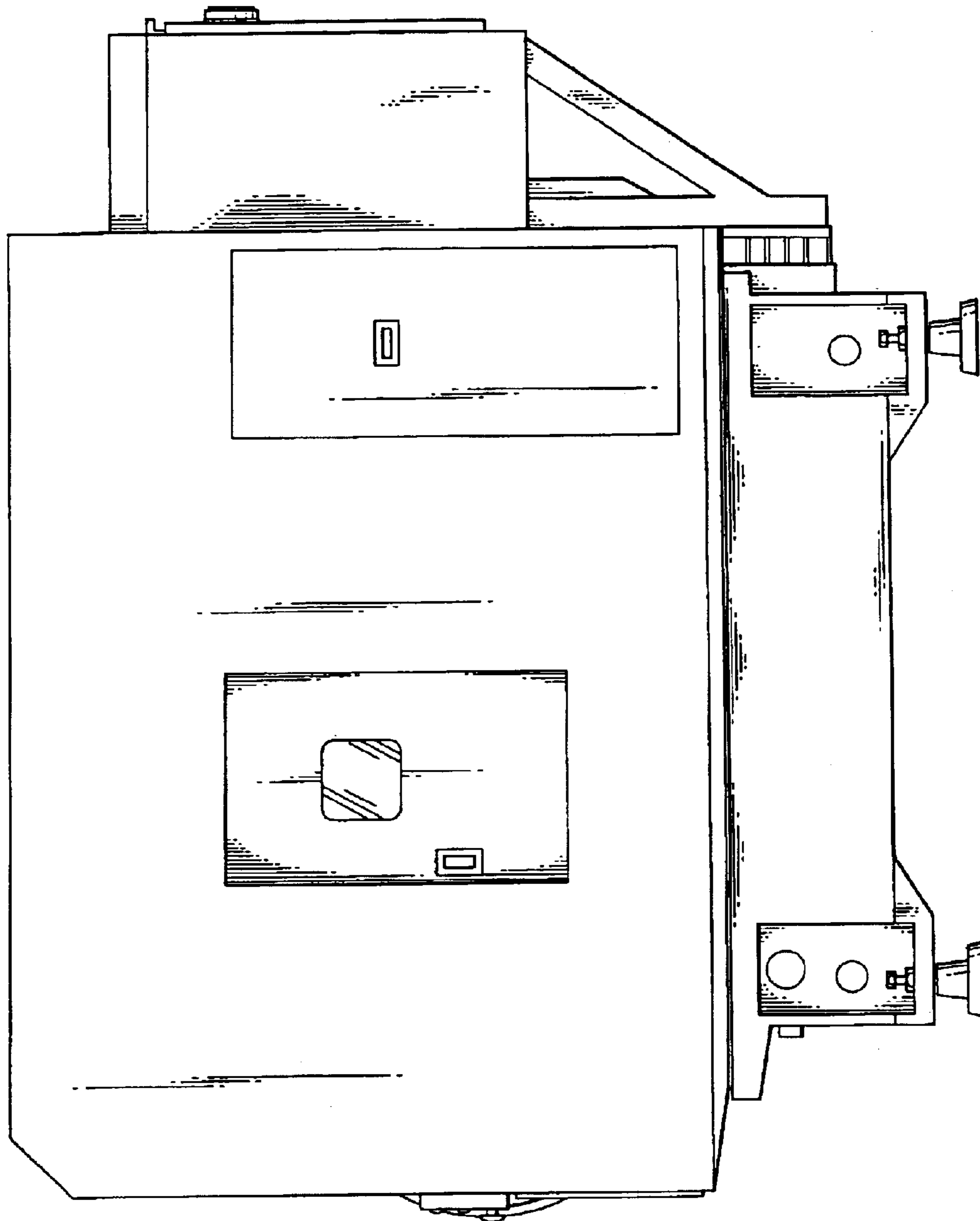


Fig. 5

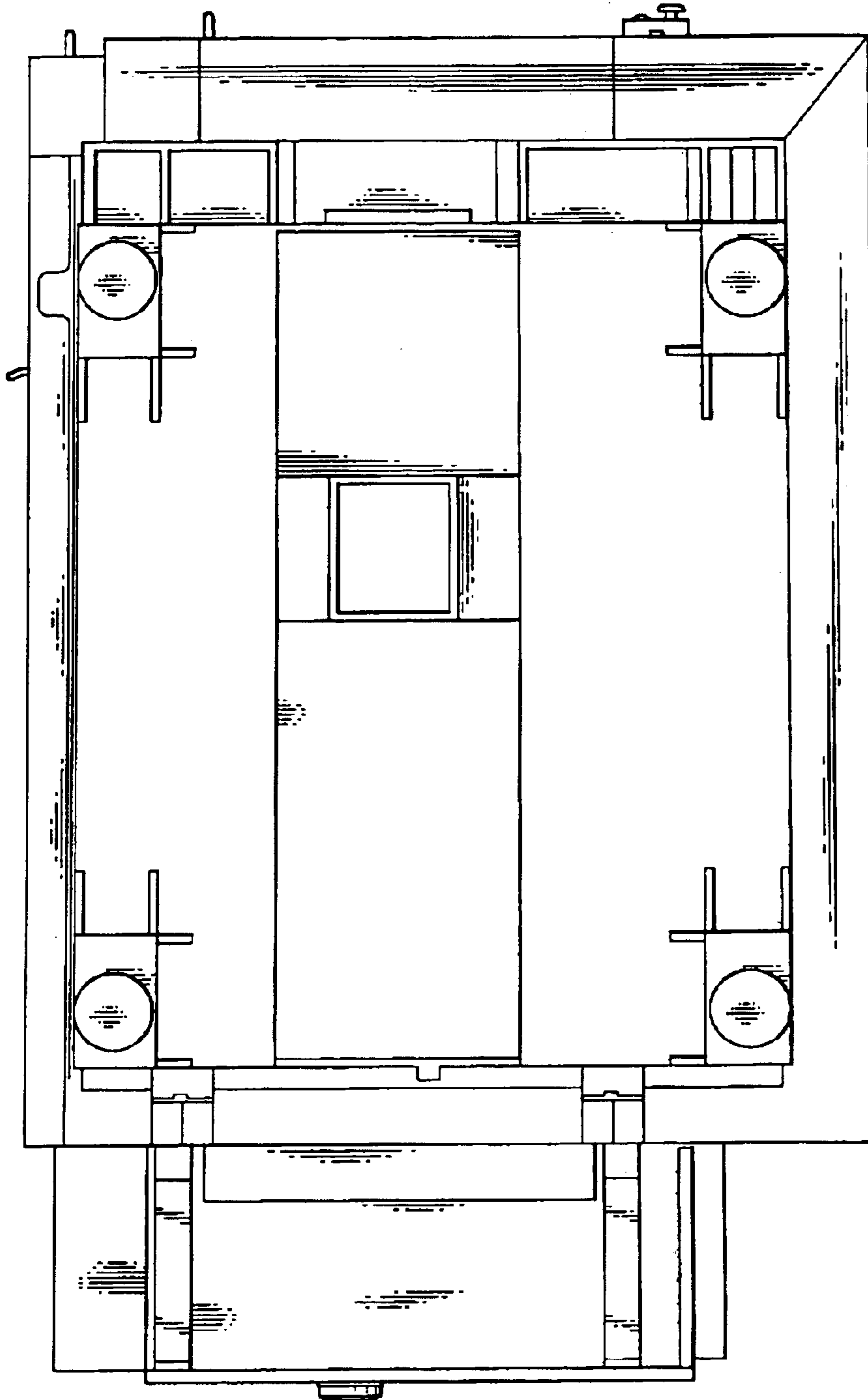


Fig. 6

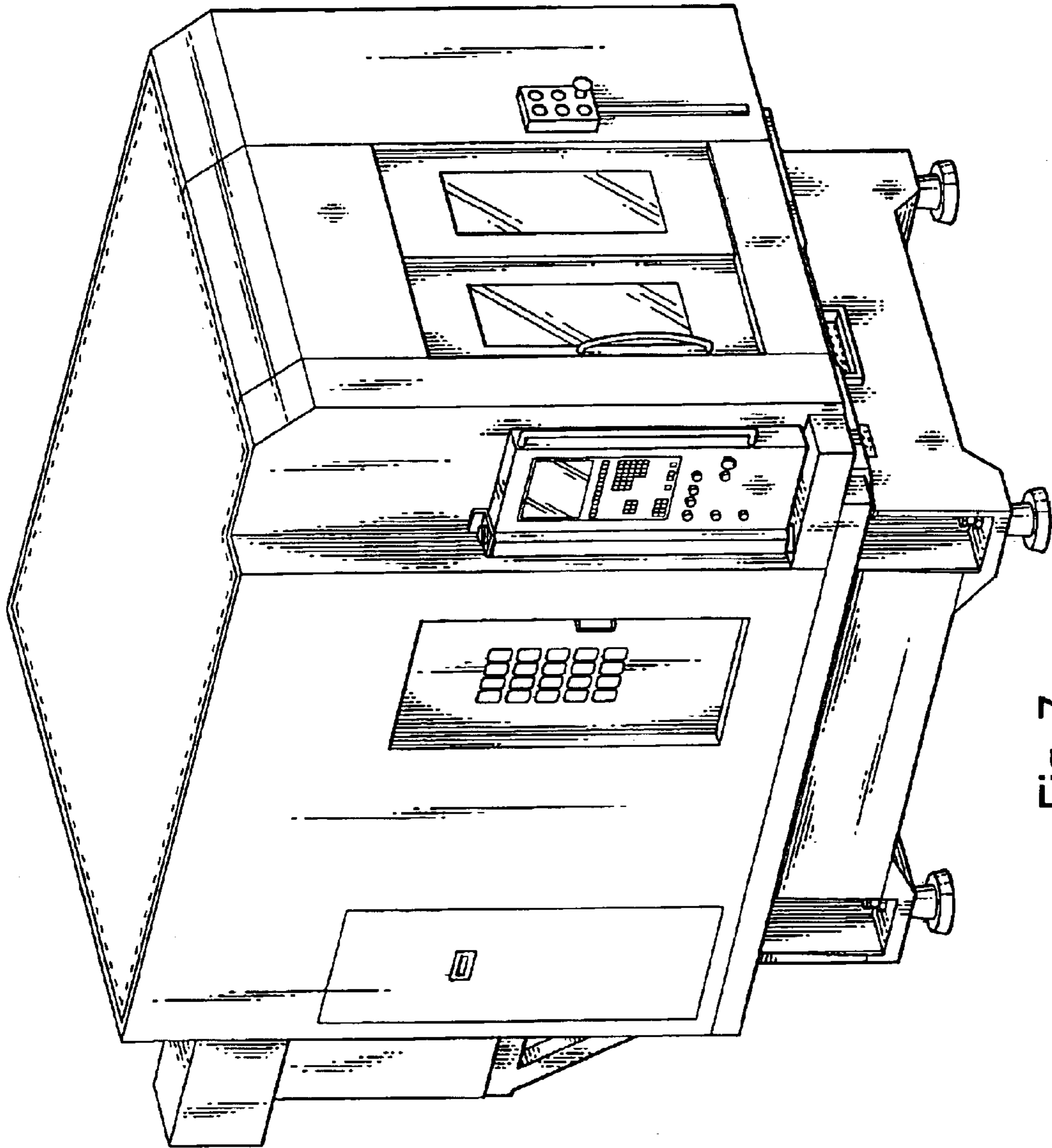


Fig. 7

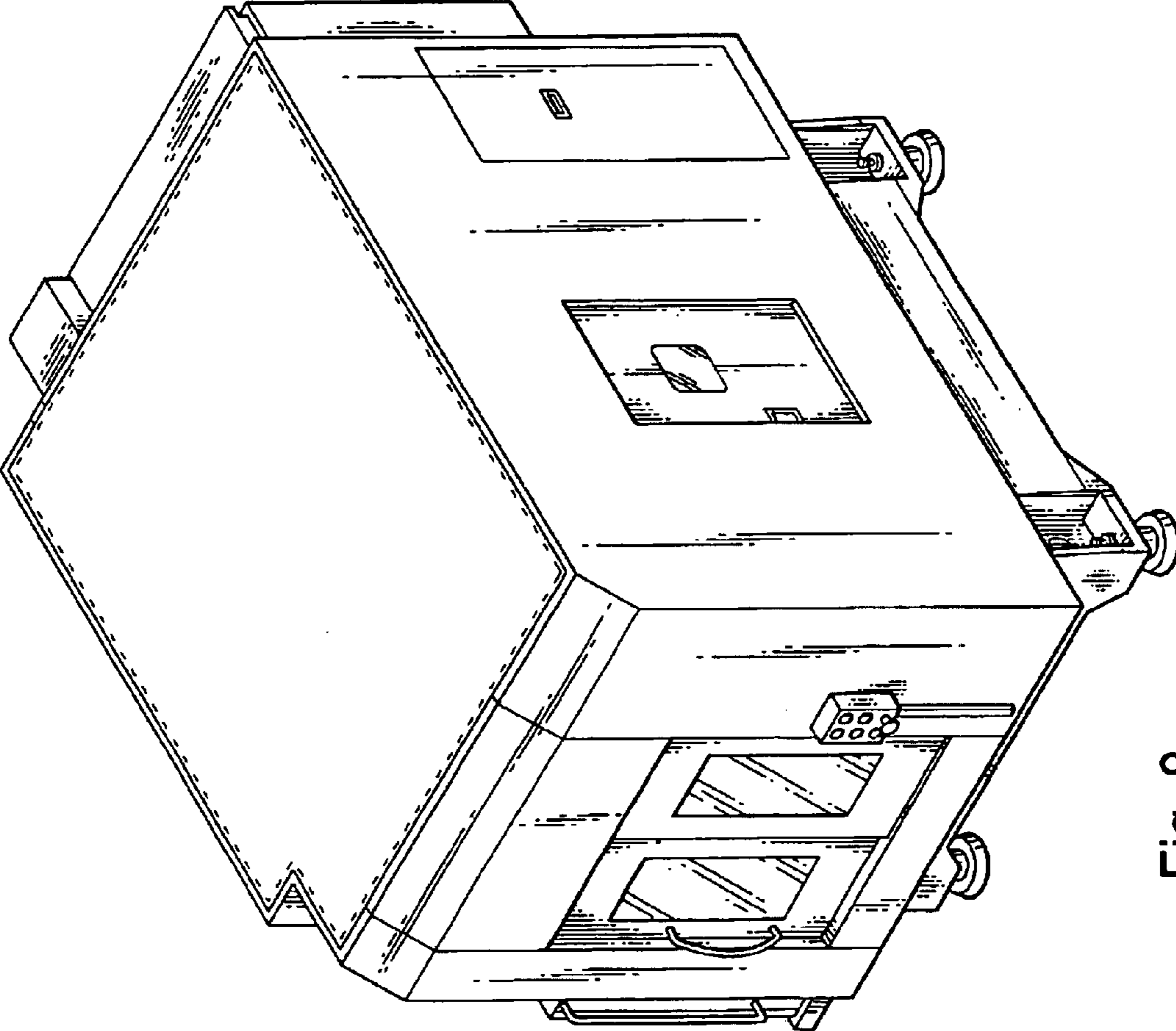


Fig. 8

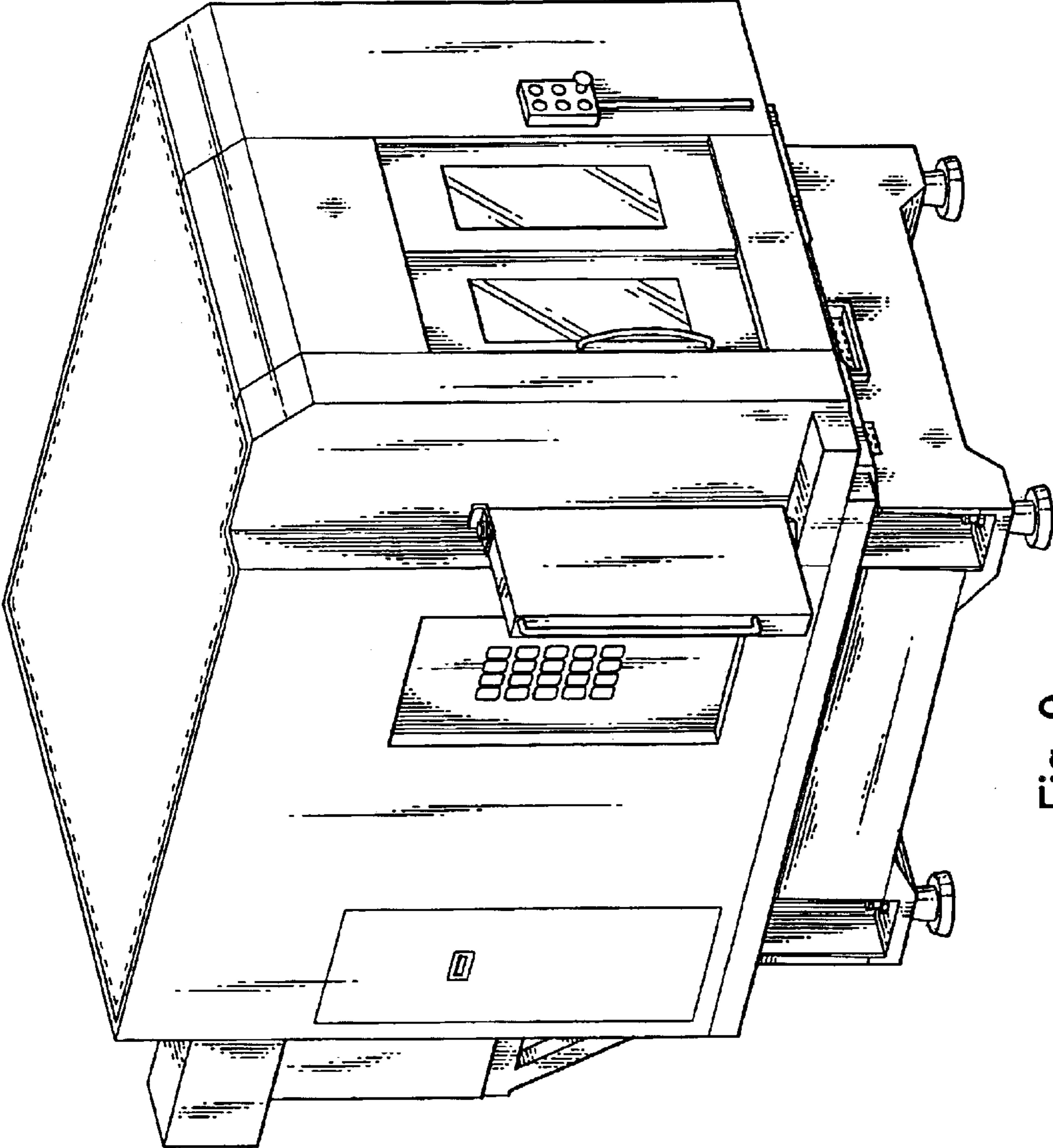


Fig. 9