



US00D495717S1

(12) **United States Design Patent**  
**Harper et al.**

(10) **Patent No.:** **US D495,717 S**  
(45) **Date of Patent:** **\*\* Sep. 7, 2004**

(54) **CONTROL PANEL FOR A COMPRESSOR**

**OTHER PUBLICATIONS**

(75) Inventors: **Douglas R. Harper**, Harrison, OH (US); **James Louis Tobergta**, Batavia, OH (US); **Tony Michael Guard**, Union, KY (US); **Joseph Robert Stephens**, Middletown, OH (US)

A color copy of one side of a two-sided Campbell Hausfeld catalog sheet for a "1.5HP Tankless Air Compressor" model FP2031/FP2032, Dec. 2001.

\* cited by examiner

(73) Assignee: **Campbell Hausfeld/Scott Fetzer Company**, Harrison, OH (US)

*Primary Examiner*—Ralf Seifert

(74) *Attorney, Agent, or Firm*—Jones Day

(\*\*) Term: **14 Years**

(57) **CLAIM**

(21) Appl. No.: **29/177,066**

We claim the ornamental design for a control panel for a compressor, as shown and described.

(22) Filed: **Mar. 4, 2003**

**DESCRIPTION**

(51) **LOC (7) Cl.** ..... **15-02**

FIG. 1 is a perspective view of a control panel for a compressor that embodies the ornamental design of the present invention, the compressor being shown in broken line;

(52) **U.S. Cl.** ..... **D15/9**

FIG. 2 is a perspective view of the control panel for a compressor of FIG. 1;

(58) **Field of Search** ..... D15/7-9; 415/148; 417/321, 410.1, 413.1, 415, 423.3, 486, 521, 534, 234, 235, 313, 201, 76, 368, 63

FIG. 3 is a front view of the control panel for a compressor of FIG. 1; and,

(56) **References Cited**

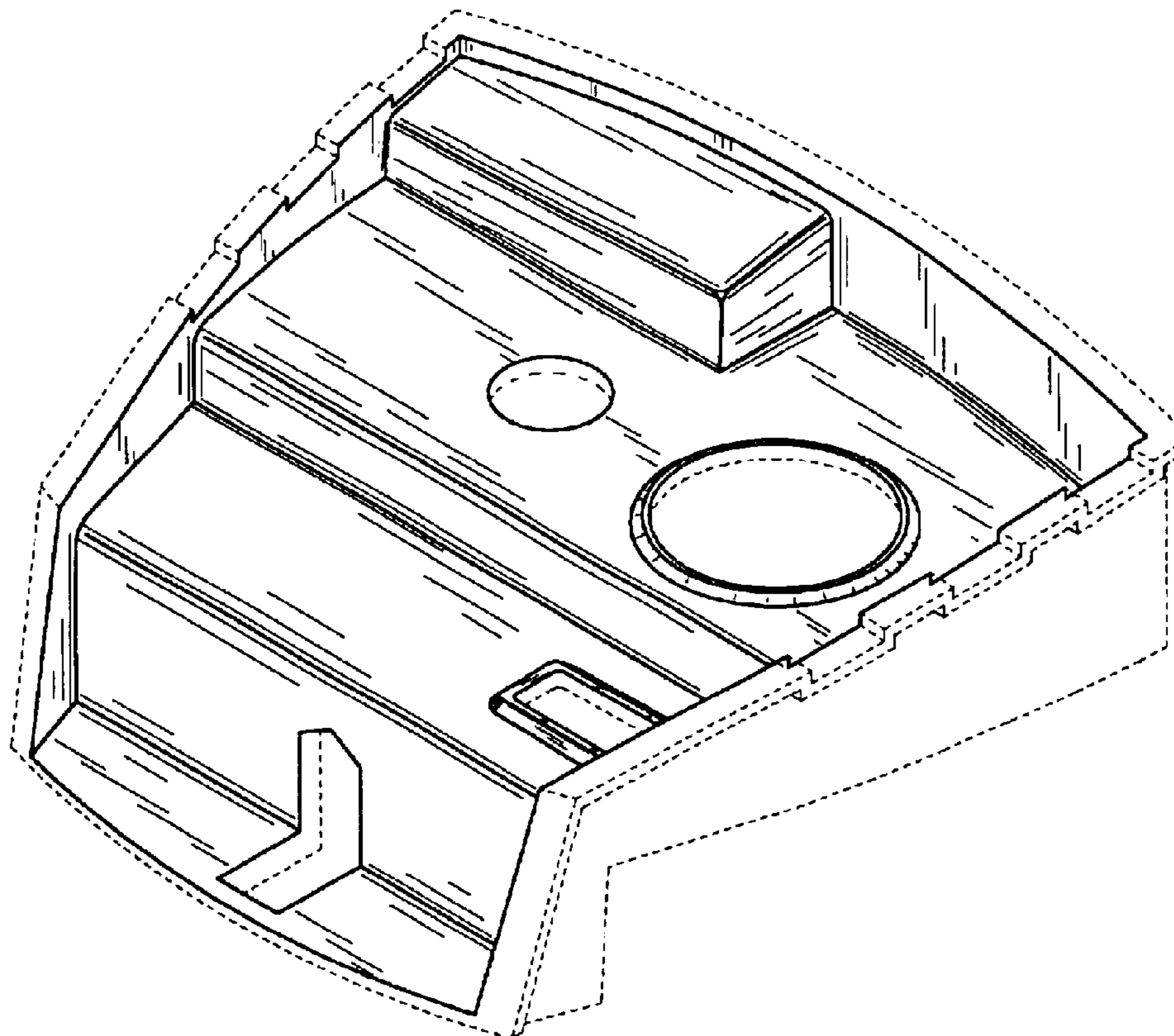
FIG. 4 is a top view of the control panel for a compressor of FIG. 1.

**U.S. PATENT DOCUMENTS**

The broken line showings in FIGS. 1-4 are for illustrative purposes only and form no part of the claimed design.

D327,891 S	*	7/1992	Morgan	.....	D15/9
D398,011 S	*	9/1998	Wang	.....	D15/9
D434,048 S		11/2000	Orschell et al.		
6,431,839 B2	*	8/2002	Gruber et al.	.....	417/234
D470,865 S	*	2/2003	Wang	.....	D15/9

**1 Claim, 3 Drawing Sheets**



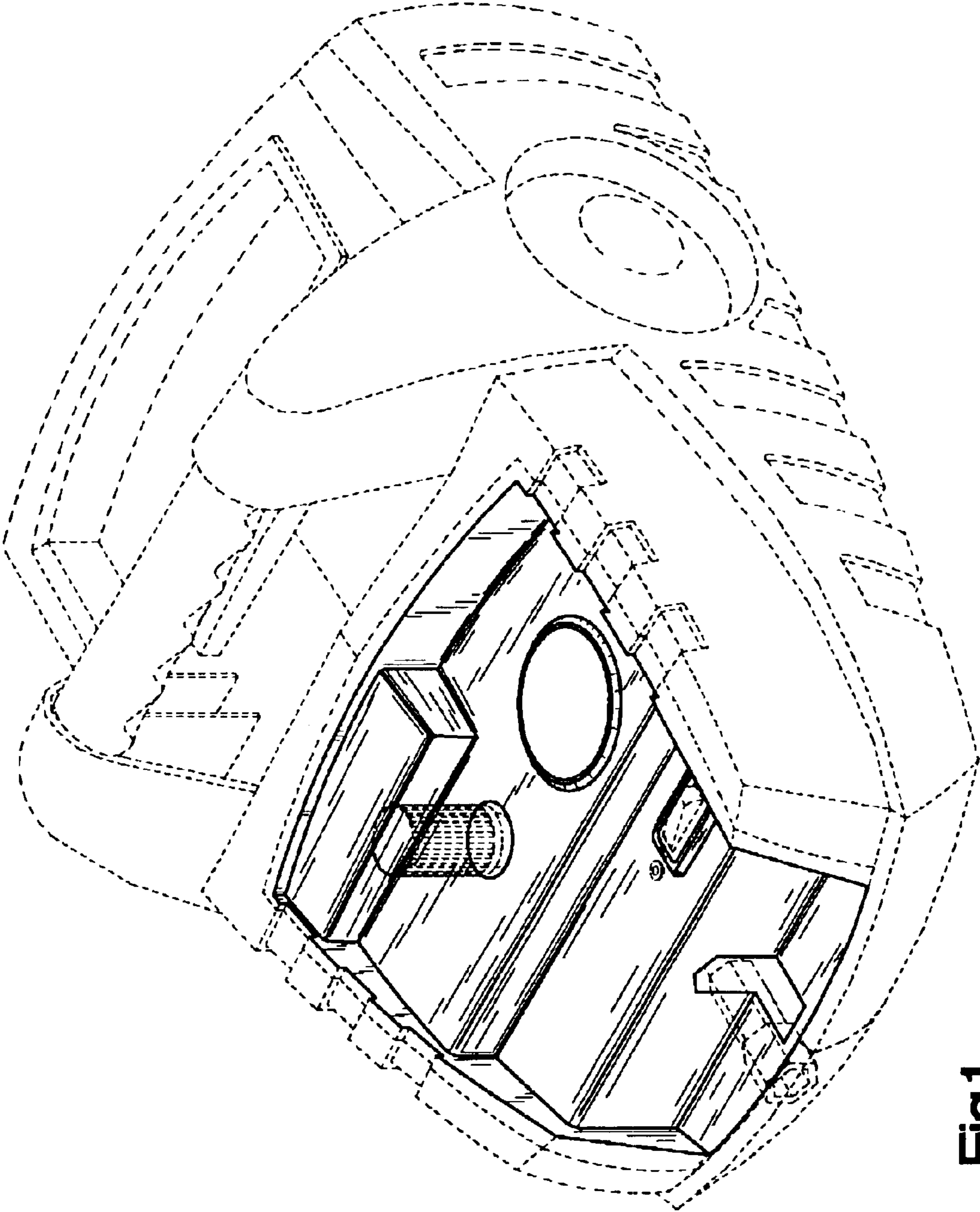


Fig.1

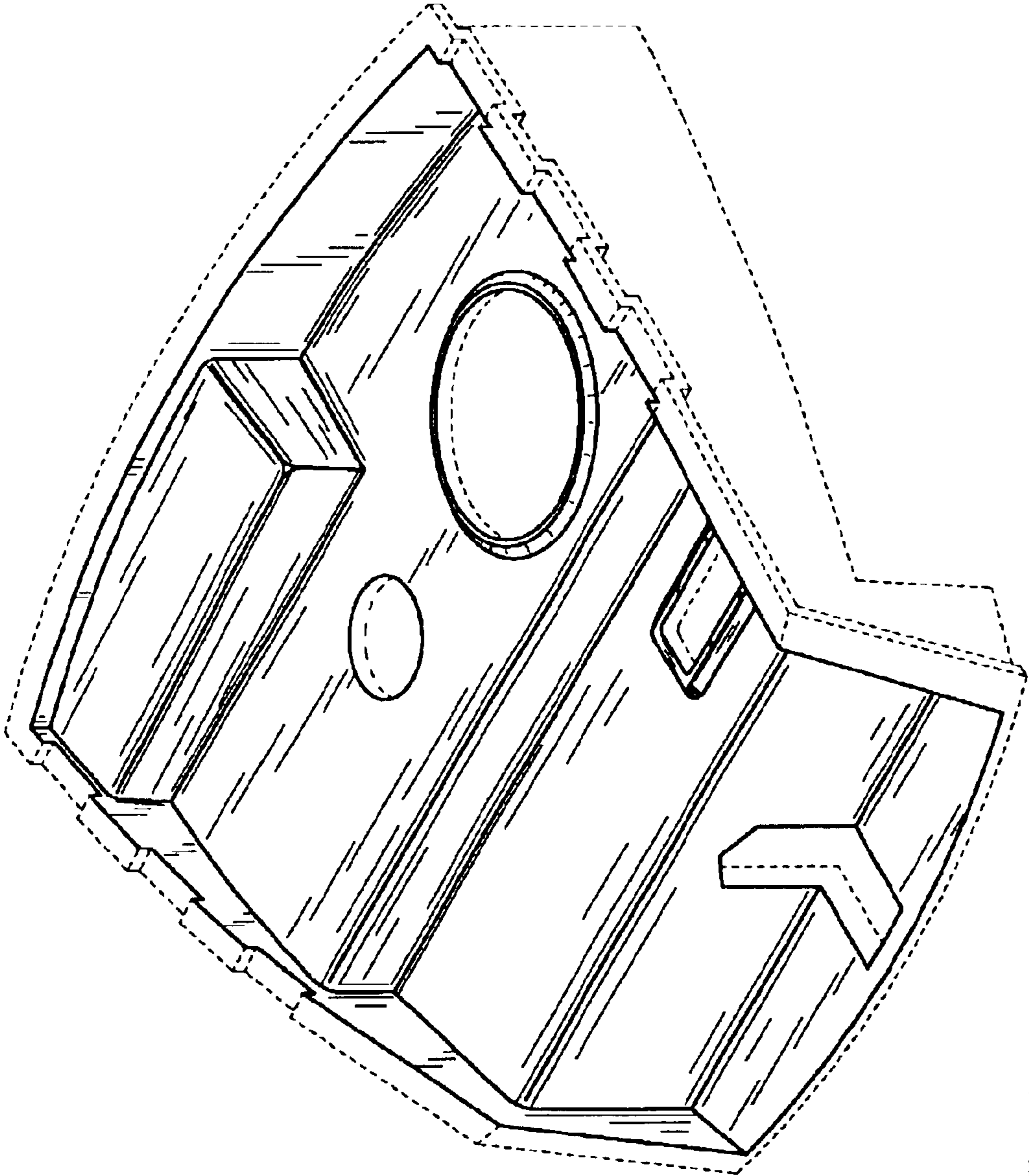


Fig.2



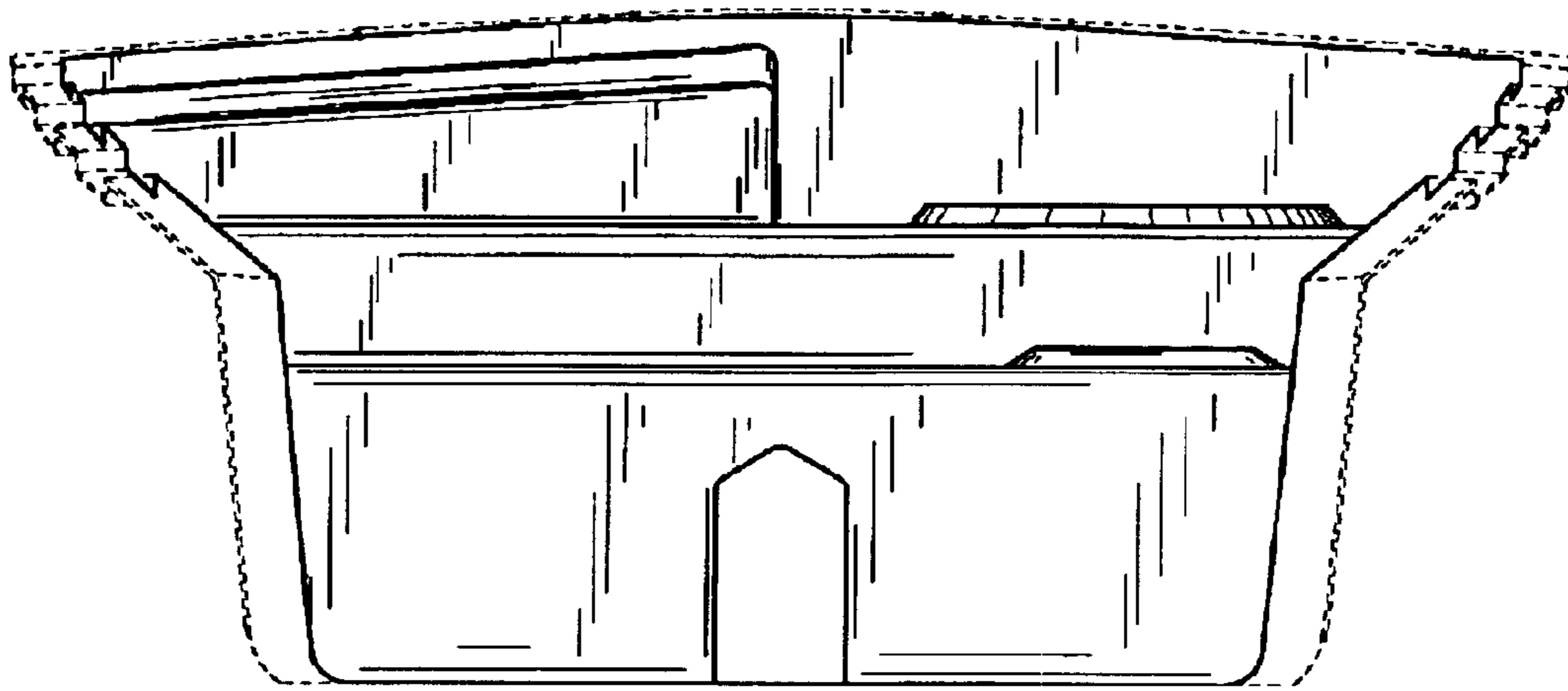


Fig.3

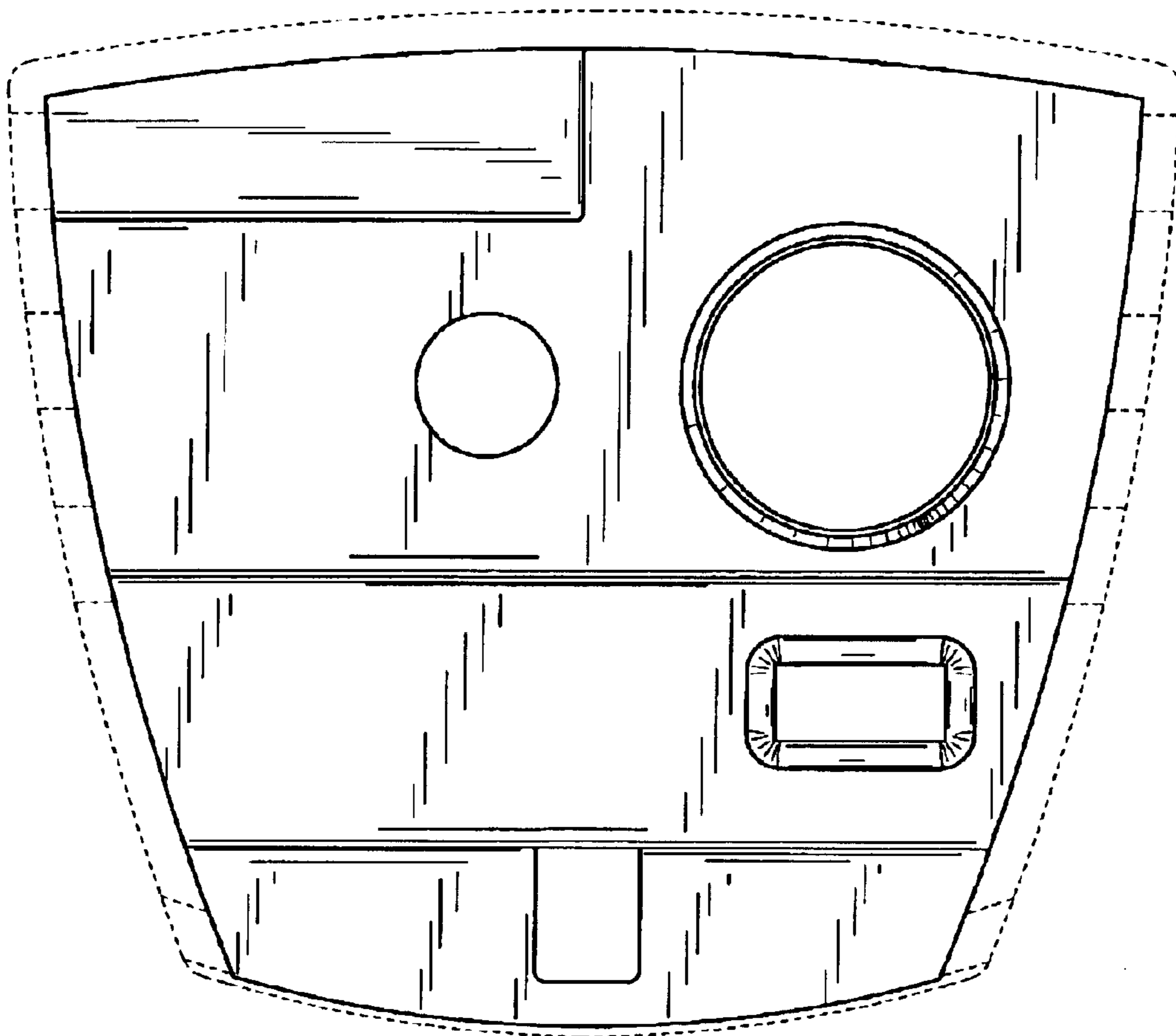


Fig.4