

US00D495714S1

(12) **United States Design Patent** (10) **Patent No.:** **US D495,714 S**
Pfister (45) **Date of Patent:** **** Sep. 7, 2004**

(54) **DISPLAY MOUNT**
 (75) Inventor: **Joel W. Pfister**, Shorewood, MN (US)
 (73) Assignee: **Decade Industries, Inc.**, St. Paul, MN (US)
 (**) Term: **14 Years**
 (21) Appl. No.: **29/196,661**
 (22) Filed: **Jan. 2, 2004**
 (51) **LOC (7) Cl.** **14-02**
 (52) **U.S. Cl.** **D14/451; D8/363**
 (58) **Field of Search** D14/451, 452, D14/238, 432, 448; D8/363, 373, 349, 396; 248/278.1, 279.1, 514, 291.1, 921-924, 536, 511, 516, 519, 311.2; 312/7.2; 348/825, 827, 836-837

6,402,109 B1 6/2002 Dittmar
 D460,078 S 7/2002 Li
 6,517,040 B1 2/2003 Wen
 6,554,238 B1 4/2003 Hibberd
 6,565,056 B2 5/2003 Lin
 D477,606 S 7/2003 Theis et al.
 6,592,090 B1 7/2003 Li
 6,604,722 B1 8/2003 Tan
 6,663,064 B1 12/2003 Minelli et al.
 6,672,553 B1 1/2004 Lin
 2002/0011544 A1 1/2002 Bosson
 2003/0075653 A1 4/2003 Li
 2003/0136888 A1 7/2003 Boele
 2003/0154673 A1 8/2003 MacGregor et al.
 2003/0201372 A1 10/2003 Dozier
 2003/0227739 A1 12/2003 Kim et al.
 2004/0011932 A1 1/2004 Duff
 2004/0011938 A1 1/2004 Oddsen, Jr.

* cited by examiner

Primary Examiner—Kay H. Chin
 (74) *Attorney, Agent, or Firm*—Kinney & Lange, P.A.

(56) **References Cited**
 U.S. PATENT DOCUMENTS

4,516,751 A * 5/1985 Westbrook 248/279.1
 D357,922 S * 5/1995 Nysether et al. D14/238
 5,751,548 A 5/1998 Hall et al.
 D400,085 S * 10/1998 Haskin D8/363
 5,842,672 A 12/1998 Sweere et al.
 D412,167 S * 7/1999 Rosen D14/126
 5,918,841 A 7/1999 Sweere et al.
 5,947,429 A 9/1999 Sweere et al.
 5,992,809 A * 11/1999 Sweere et al. 248/278.1
 6,012,693 A 1/2000 Voeller et al.
 6,015,120 A 1/2000 Sweere et al.
 6,042,068 A 3/2000 Tcherny
 6,068,227 A 5/2000 Morgan et al.
 6,102,348 A 8/2000 O'Neill
 6,126,128 A 10/2000 Costa et al.
 6,367,756 B1 4/2002 Wang
 6,378,830 B1 4/2002 Lu
 6,394,403 B1 5/2002 Hung

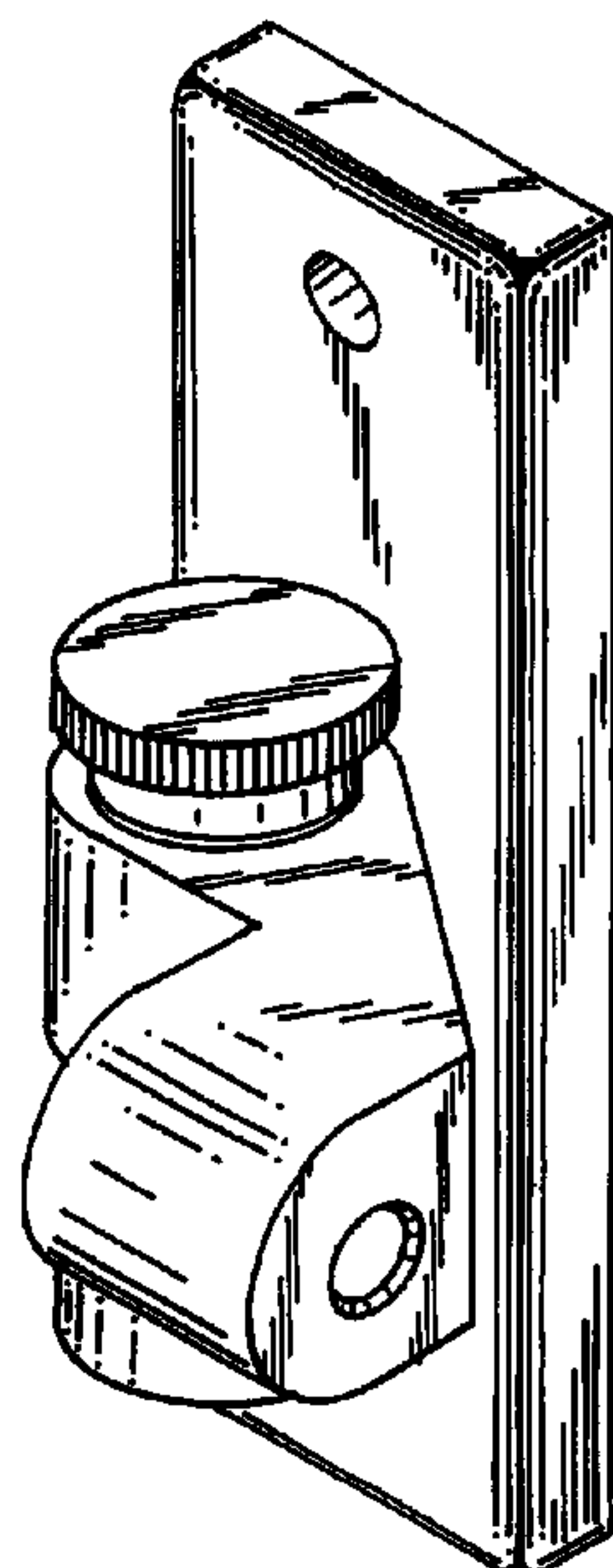
(57) **CLAIM**

The ornamental design for a display mount, as shown and described.

DESCRIPTION

FIG. 1 is a perspective view looking down on the front right side of a display mount showing my new design;
 FIG. 2 is a top view;
 FIG. 3 is a front view;
 FIG. 4 is a right side view;
 FIG. 5 is a left side view;
 FIG. 6 is a back view;
 FIG. 7 is a bottom view; and,
 FIG. 8 is a right side view in environment.
 The broken line showing of a display is for illustrative purposes only and forms no part of the claimed design.

1 Claim, 5 Drawing Sheets



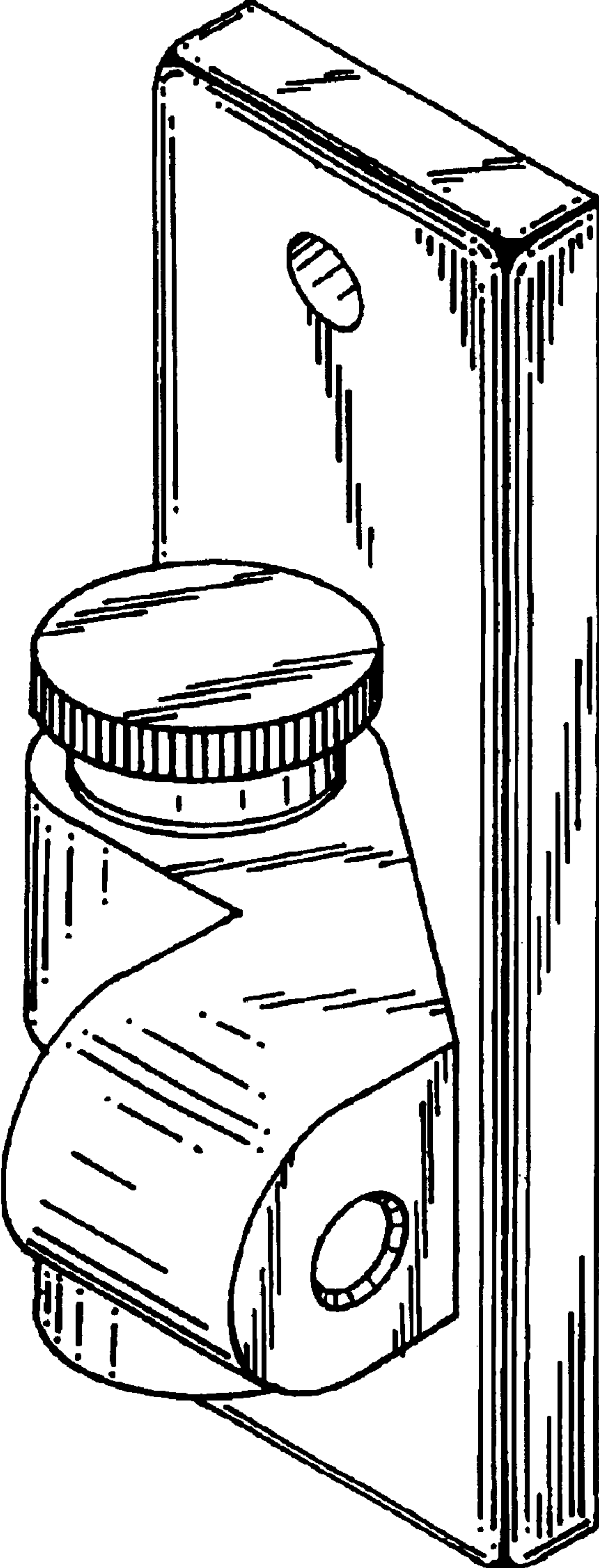


Fig. 1

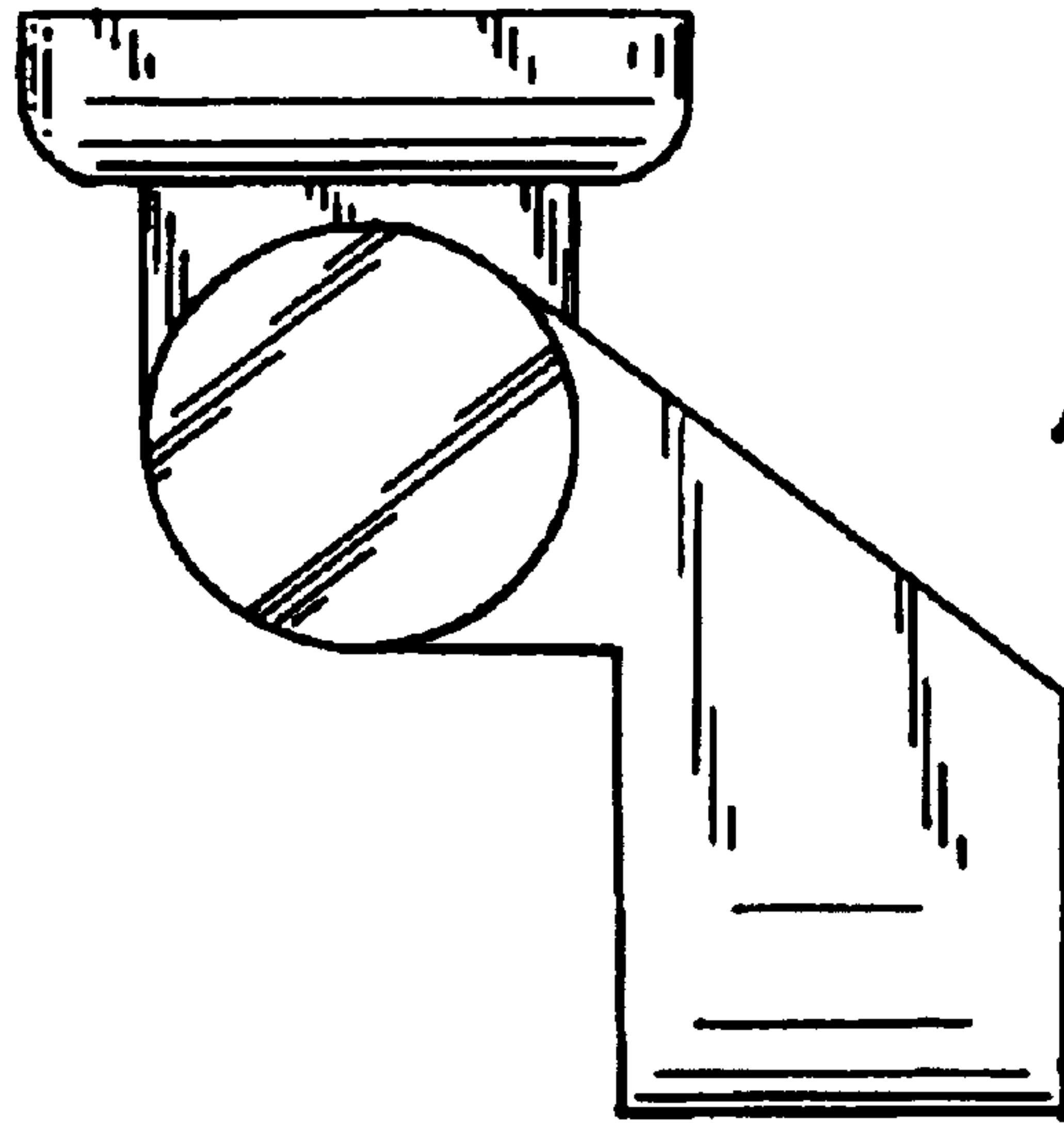


Fig. 2

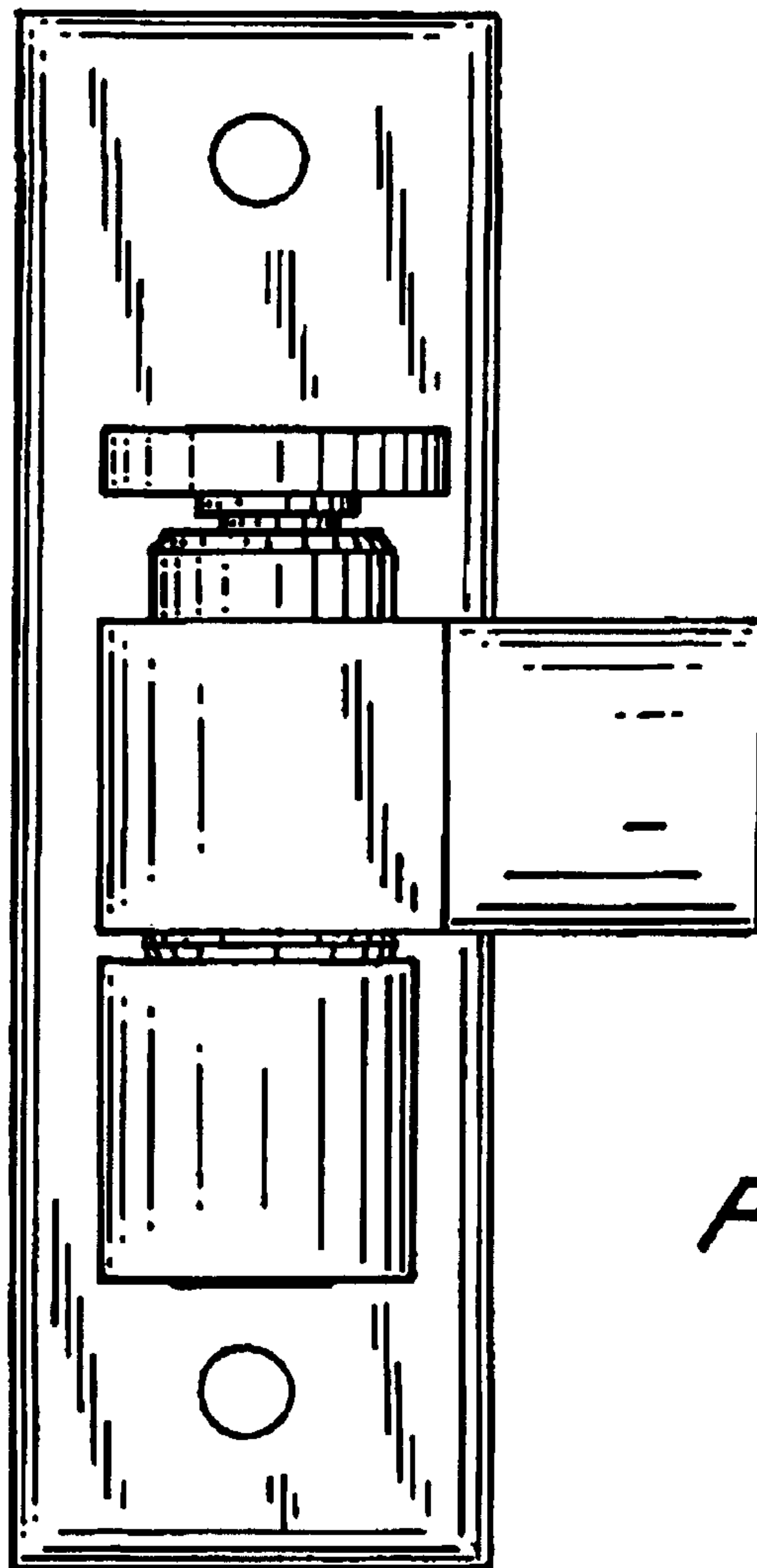


Fig. 3

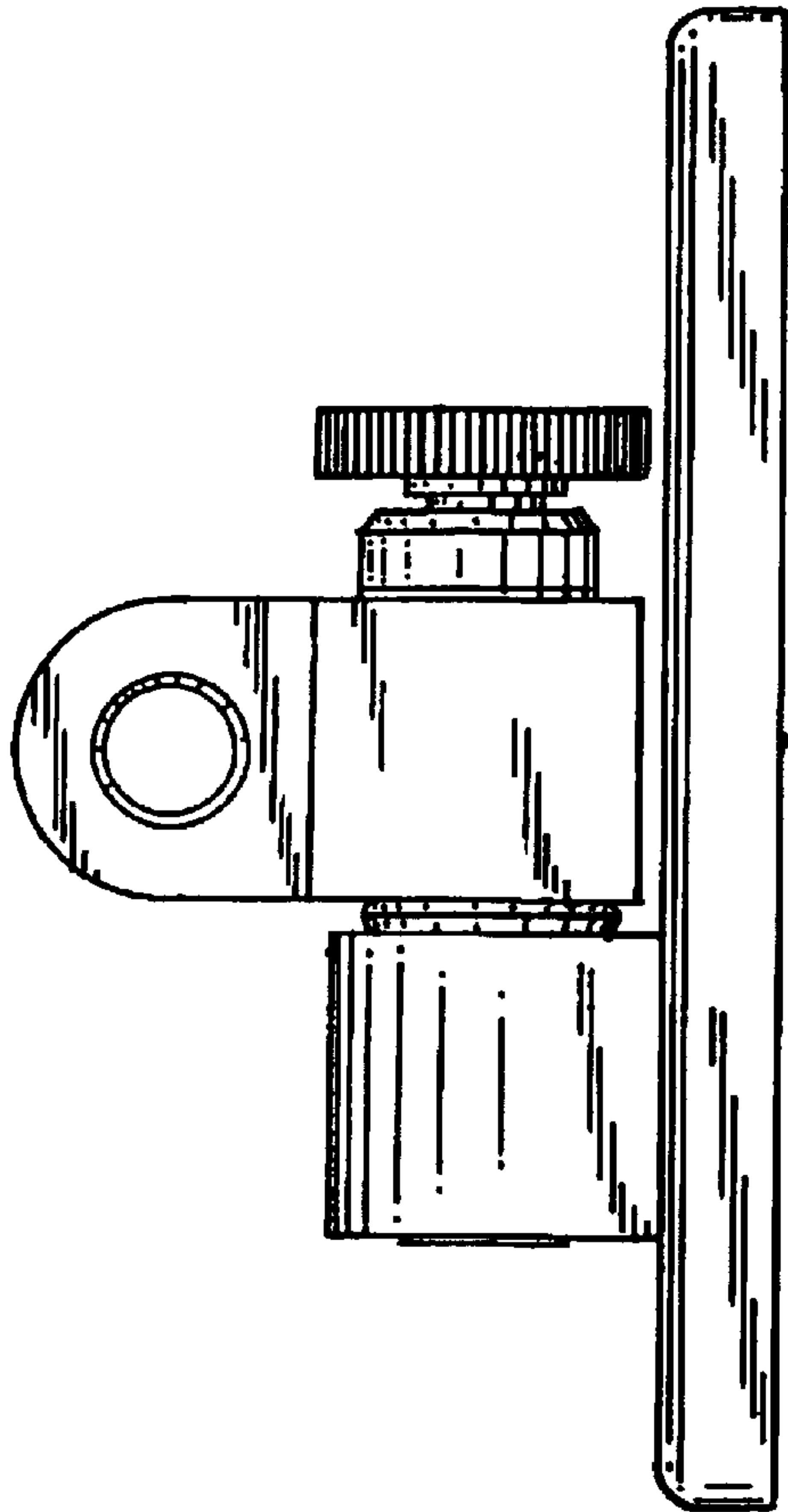


Fig. 4

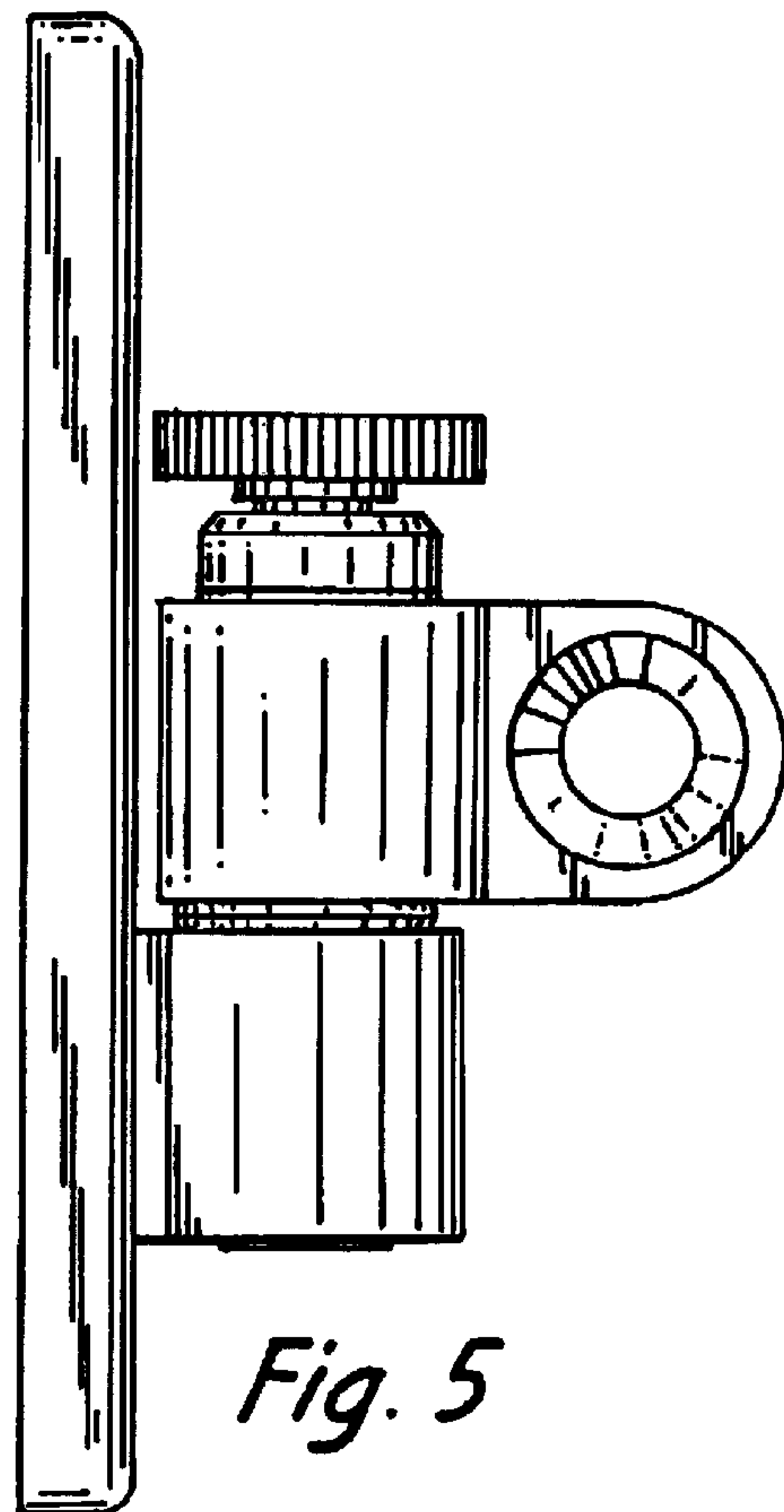


Fig. 5

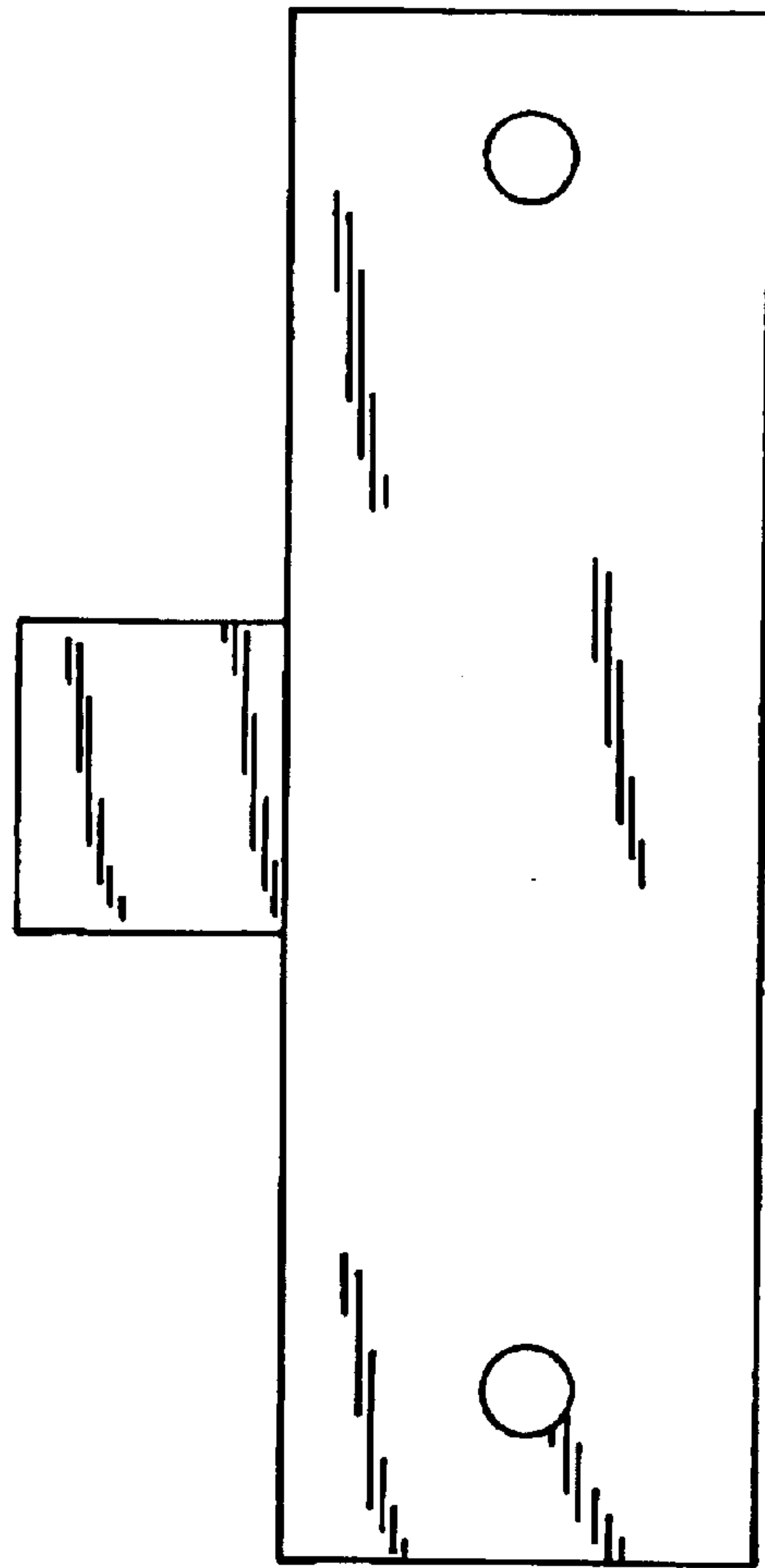


Fig. 6

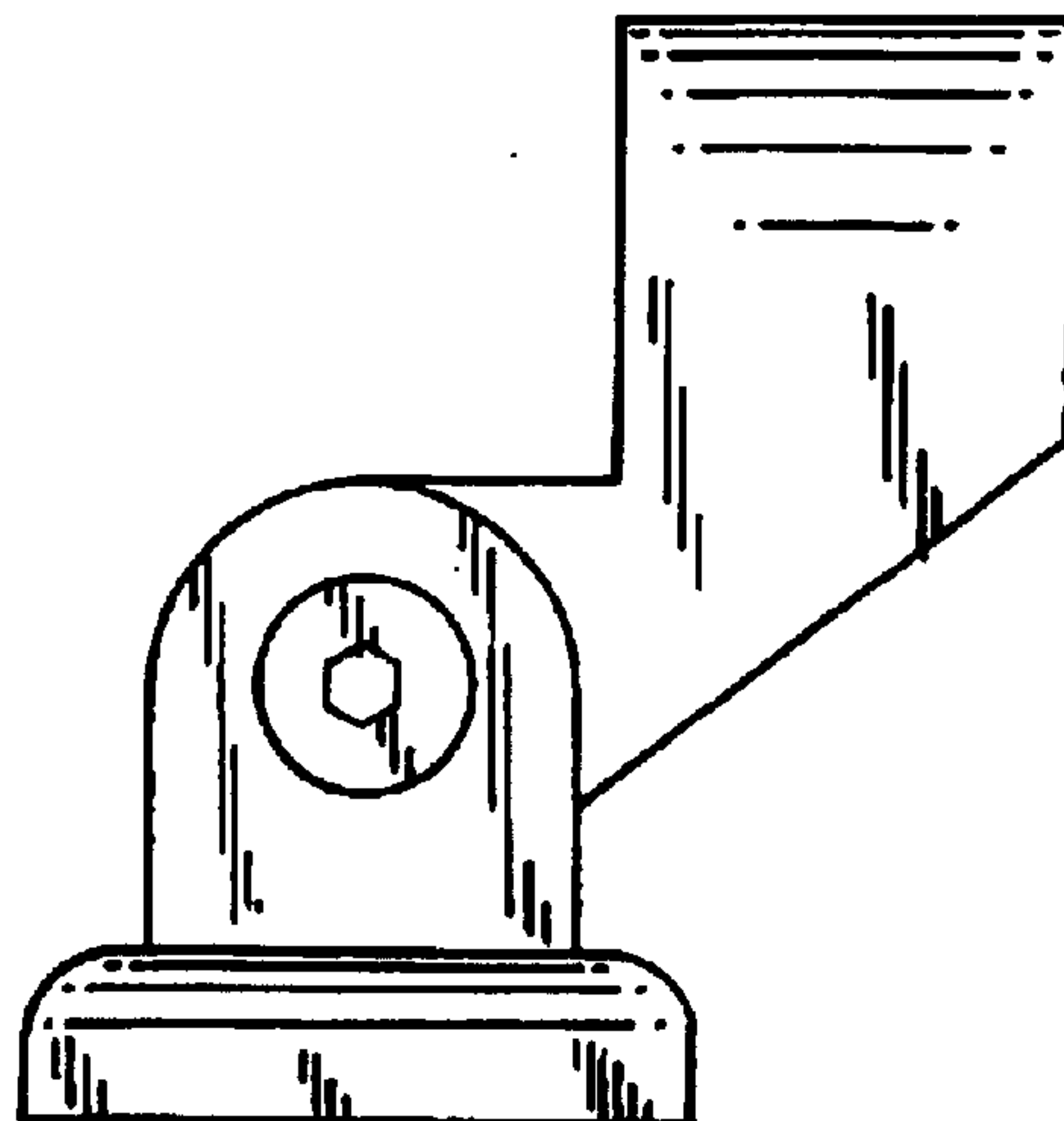


Fig. 7

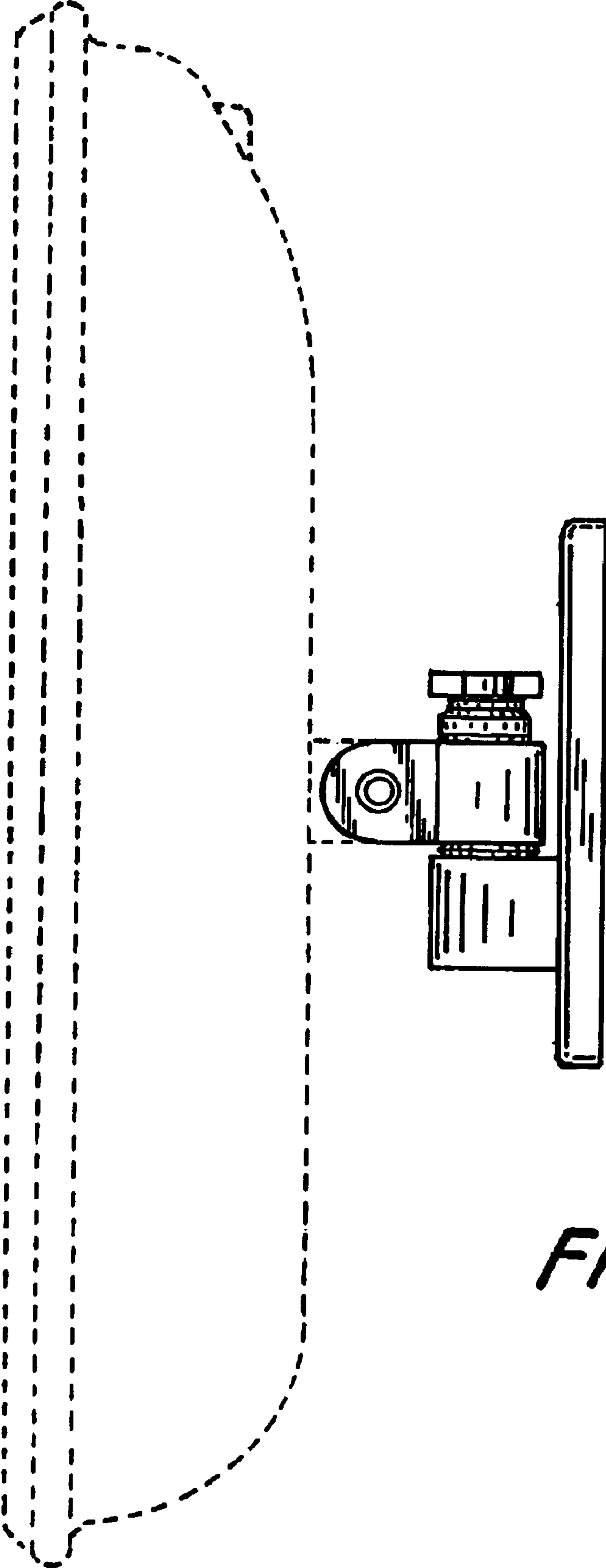


Fig. 8